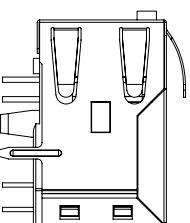
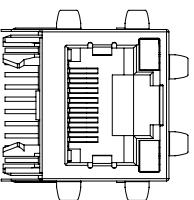
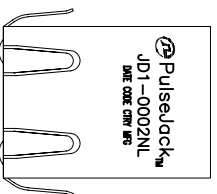




**THE DATASHEET OF
JD1-0002NL**



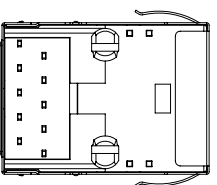


00 PCS/BOX.

REGULATION
DERIVING

MITTED SEE

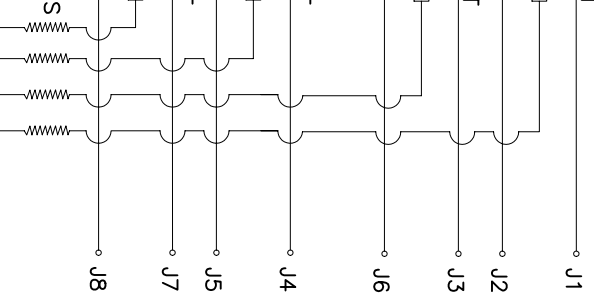
—INCHS MIN



FINAL OUTLINE

rights reserved. Pulse confidential & proprietary. (10/14/14)

DRAWING	PS DRAWING	SHEET	PART NO.	DATASHEET REV.
—0002NL—10	—	1 OF 5	JD1—0002NL	A



Electronical Specifications:

- 1.0 Turn Ratio @100KHz: (P10~P9):(J1~J2) = 1:1±5%
(P8~P7):(J3~J6) = 1:1±5%
(P4~P3):(J4~J5) = 1:1±5%
(P2~P1):(J7~J8) = 1:1±5%
- 2.0 Primary Inductance: 350uH MIN @100KHz,0.1V 8mA DC BIAS
1.2 OHMS MAX
- 3.0 DC Resistance: 1.2 OHMS MAX
- 4.0 Insertion Loss: 1-125MHz -1.0dB TYP
- 5.0 Return Loss: 1-40MHz -16dB MIN
40-60MHz -12dB MIN
60-80MHz -10dB MIN
80-100MHz -8dB MIN
- 6.0 CROSS TALK: 1-100MHz -30dB MIN
- 7.0 COMMON TO COMMON MODE ATTENUATION: 1-100MHz -30dB MIN
- 8.0 Isolation: PHY Side to Line Side: 2250VDC

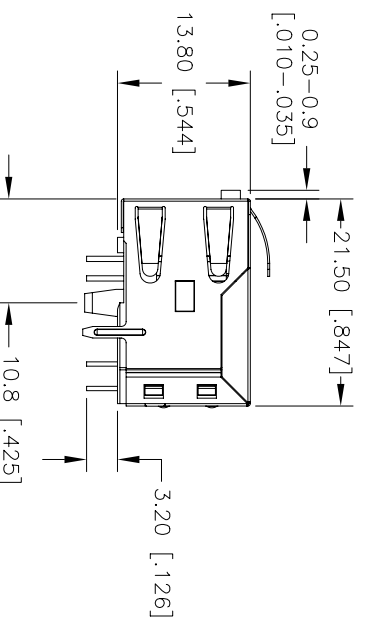
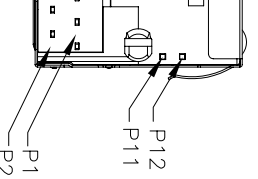
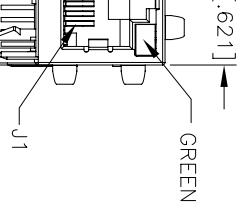
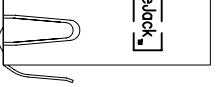
LED SPECIFICATION

STANDARD LED	WAVELENGTH	Forward Current	Forward V(max)	TYP
GREEN	565nm	20 mA	2.4V	2.2V
YELLOW	590nm	20 mA	2.5V	2.1V

Green	Yellow	P13	Green	Yellow
-	-	+	+	-
+	+	P14	-	+

rights reserved. Pulse confidential & proprietary. (10/14/14)

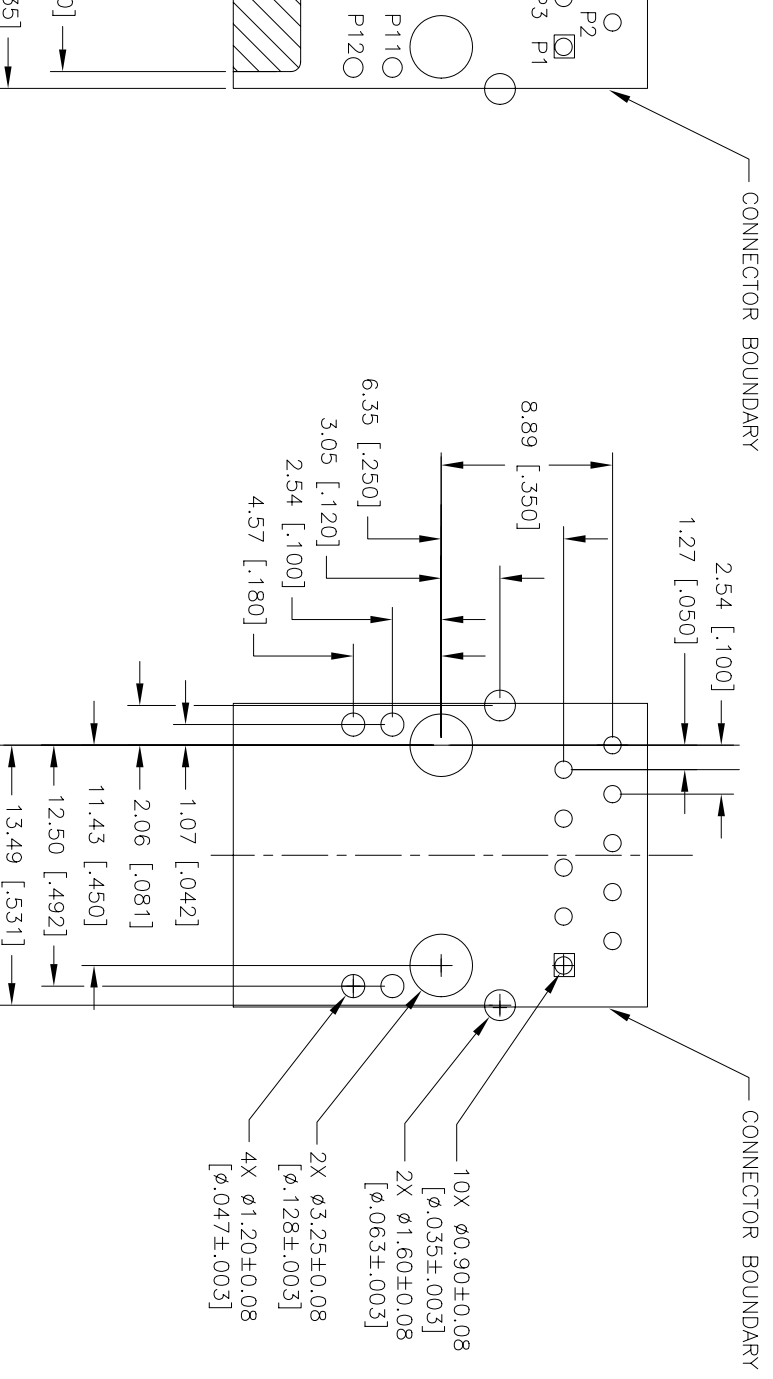
A DRAWING	PS DRAWING	SHEET	PART NO.	DATASHEET REV.
-0002NL-10	-	2 OF 5	JD1-0002NL	A



WITH THE FOLLOWING
ONLY.

rights reserved. Pulse confidential & proprietary. (10/14/14)

QTY	DESCRIPTION	REV.	DATE	BY
1	PS DRAWING			
3	SHEET			
1	PART NO.			
1	DATASHEET REV.			



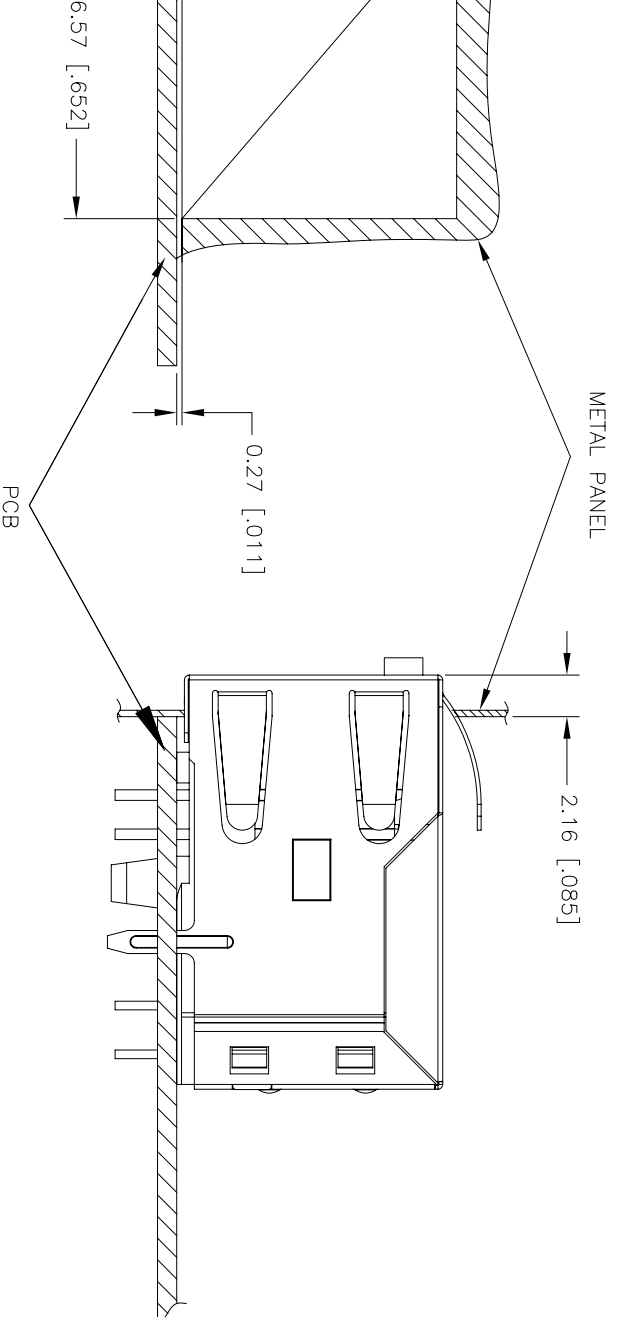
RECOMMENDED PWB LAYOUT
(COMPONENT SIDE SHOWN)

COMPONENT SIDE SHOWN)

WITH THE FOLLOWING
DIMENSIONS ONLY.

rights reserved. Pulse confidential & proprietary. (10/14/14)

PS DRAWING	PART NO.	SHEET	DATASHEET REV.
0002NL-10	JD1-0002NL	4 OF 5	A





WITH THE FOLLOWING
DIMENSIONS ONLY.

All rights reserved. Pulse confidential & proprietary. (10/14/14)

DRAWING	PS DRAWING	SHEET	PART NO.	DATASHEET REV.
—0002NL—10	—	5 OF 5	JD1—0002NL	A

Looking for pricing, stock, or lifecycle information?

Click below to explore more details on WIN SOURCE:

-  [View JD1-0002NL on WIN SOURCE](#)
-  [Pulse Information](#)

Optimize Your Supply Chain with WIN SOURCE Solutions

-  Global Sourcing Solution
-  Obsolete Management
-  Cost Control Management
-  Shortage Management
-  Alternative Solution
-  Excess Inventory Management