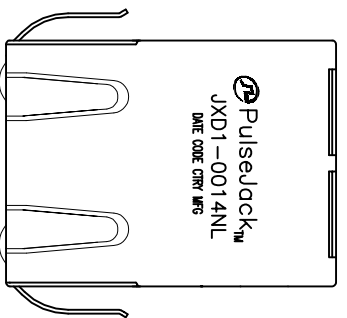




**THE DATASHEET OF  
JXD1-0014NL**





CRO-INCHS MIN

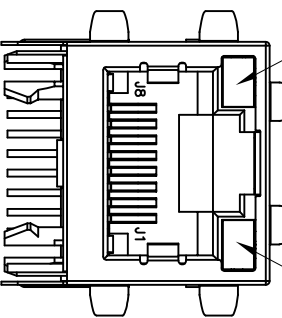
OMITTED SEE

AND REGULATION

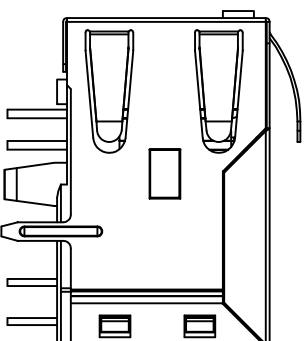
SOLDERING

IS

YELLOW LED — GREEN LED



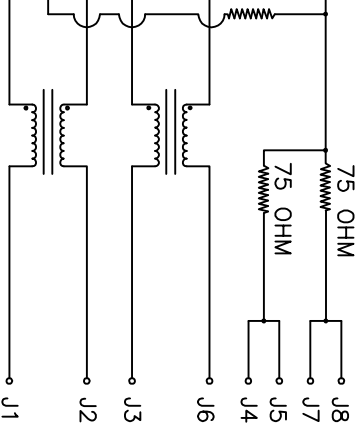
5°C.  
C.  
200 PCS/BOX.



FINAL OUTLINE

All rights reserved. Pulse confidential & proprietary. (11/14/17)

TLA DRAWING	PS DRAWING	SHEET	PART NO.	DATASHEET REV.
XD1-0014NL-11	-	1 OF 5	JXD1-0014NL	B



ELECTRONICAL SPECIFICATIONS:

1. TURN RATIO @100KHZ: (P1~P2):(J1~J2) = 1:1±5%  
(P3~P6):(J3~J6) = 1:1±5%
2. PRIMARY INDUCTANCE: 350uH MIN @100KHZ,0.1V 8mA DC BIAS
3. DC RESISTANCE:(J1~J2):(J3~J6) 1.2 OHMS MAX
4. INSERTION LOSS: 1~100MHZ -1.2dB MAX
5. RETURN LOSS: 1~30MHZ -16dB MIN  
30~60MHZ -12dB MIN  
60~80MHZ -10dB MIN
6. CROSS TALK: 1~100MHZ -30dB MIN
7. COMMON TO COMMON MODE ATTENUATION: 1~100MHZ -30dB MIN
8. ISOLATION: PHY SIDE TO LINE SIDE: 1500VAC OR 2250VDC

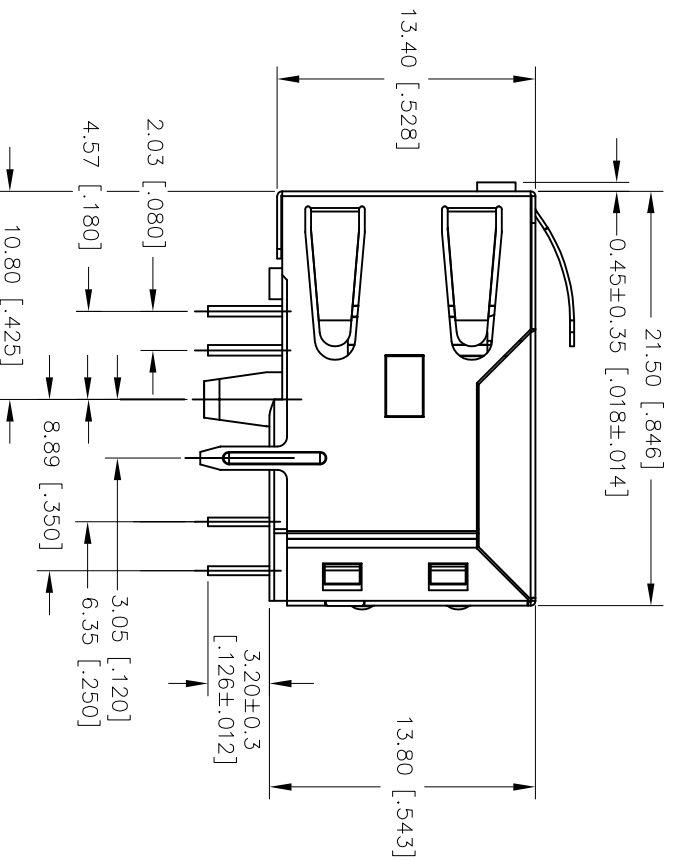
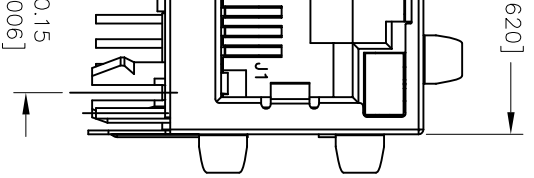
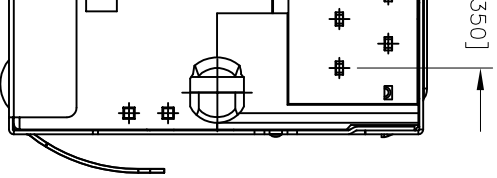
LED SPECIFICATION

STANDARD LED	WAVELENGTH	FORWARD (MAX)	TYP
GREEN	565nm	2.4V	2.2V
YELLOW	630nm	2.6V	2.2V

\*WITH A FORWARD CURRENT OF 20mA

All rights reserved. Pulse confidential & proprietary. (11/14/17)

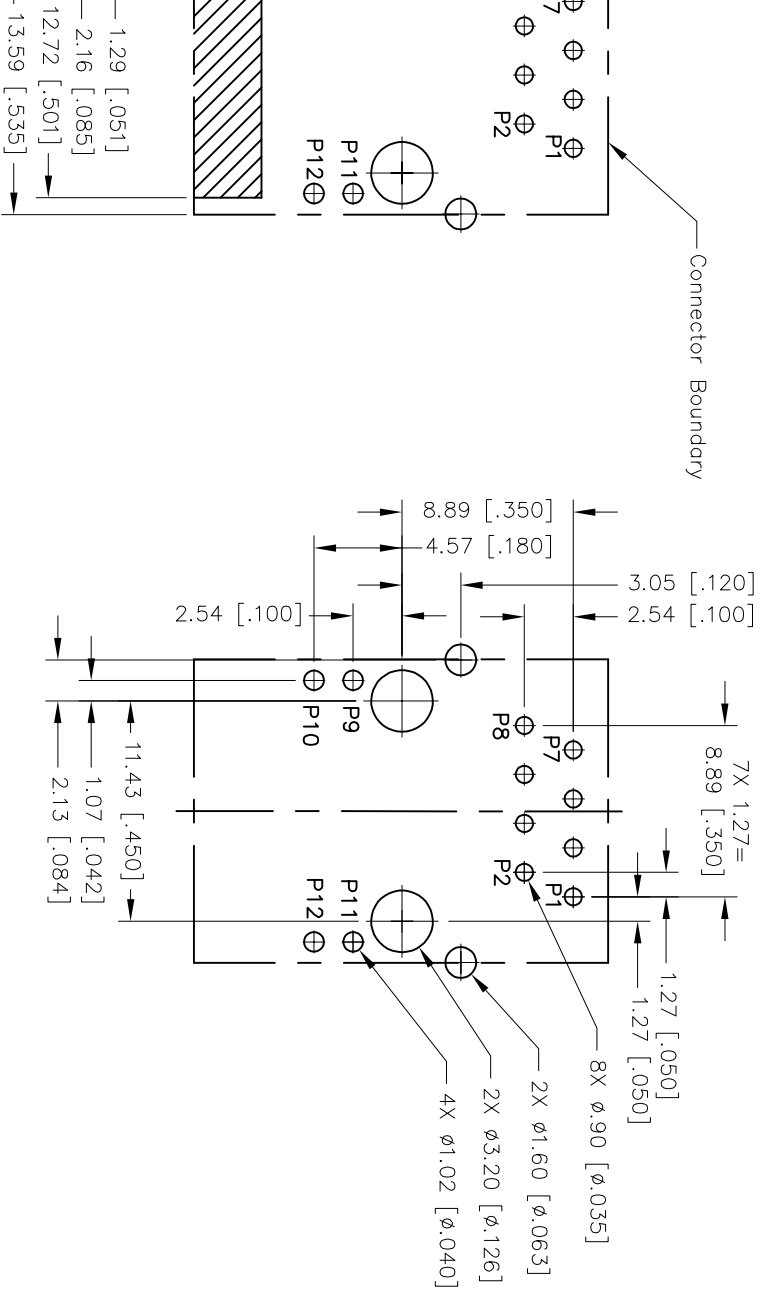
TLA DRAWING	PS DRAWING	SHEET	PART NO.	DATASHEET REV.
XD1-0014NL-11	-	2 OF 5	JXD1-0014NL	B



WITH THE FOLLOWING  
NOTE ONLY.

All rights reserved. Pulse confidential & proprietary. (11/14/17)

TLA DRAWING	PS DRAWING	SHEET	PART NO.	DATASHEET REV.
XD1-0014NL-11	-	3 OF 5	JXD1-0014NL	B



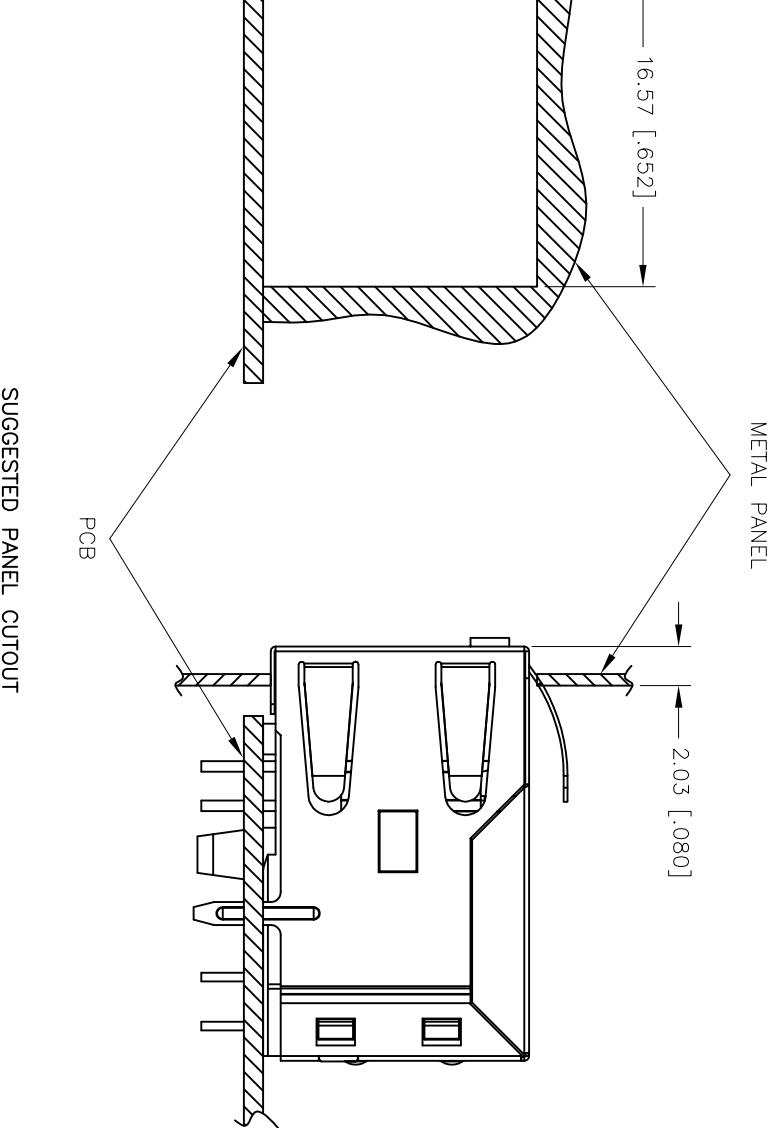
(COMPONENT SIDE SHOWN)

WITH THE FOLLOWING  
PAGE ONLY.

All rights reserved. Pulse confidential & proprietary. (11/14/17)

TLA DRAWING	PS DRAWING	SHEET	PART NO.	DATASHEET REV.
XD1-0014NL-11	-	4 OF 5	JXD1-0014NL	B

ELECTRONICS.COM(Asia) PHONE:USA:858 674 8100, GERMANY:49 7032 78060, SINGAPORE:65 6287 8998, SHANGHAI:86 21 62787060, TAIWAN:886 3 4356768



WITH THE FOLLOWING  
 NCE ONLY.



All rights reserved. Pulse confidential & proprietary. (11/14/17)

TLA DRAWING	PS DRAWING	SHEET	PART NO.	DATASHEET REV.
XD1-0014NL-11	-	5 OF 5	JXD1-0014NL	B

EEELECTRONICS.COM(Asia)    PHONE:USA:858 674 8100, GERMANY:49 7032 78060, SINGAPORE:65 6287 8998, SHANGHAI:86 21 62787060, TAIWAN:886 3 4356768

## Looking for pricing, stock, or lifecycle information?

Click below to explore more details on WIN SOURCE:

-  [View JXD1-0014NL on WIN SOURCE](#)
-  [Pulse Information](#)

## Optimize Your Supply Chain with WIN SOURCE Solutions

-  Global Sourcing Solution
-  Obsolete Management
-  Cost Control Management
-  Shortage Management
-  Alternative Solution
-  Excess Inventory Management