



**THE DATASHEET OF
SI-60158-F**



THE INFORMATION CONTAINED HEREIN IS CONSIDERED "PROPRIETARY" TO BEL FUSE INC. AND SHALL NOT BE COPIED, REPRODUCED OR DISCLOSED WITHOUT THE WRITTEN APPROVAL OF BEL FUSE INC.

ELECTRICAL CHARACTERISTICS @ 25°C

OPERATING TEMPERATURE RANGE:

: -40°C TO +85°C

1.0 INDUCTANCE:(P6-J6) : (P1-J1)

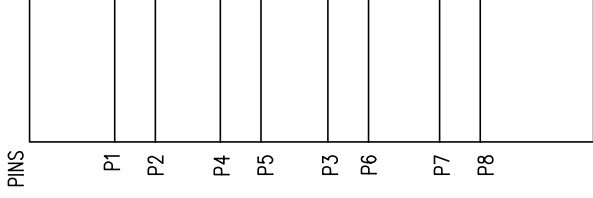
: 65 uH TYP @.01V, 10KHz

2.0 DC RESISTANCE: P6-J6
P3-J3
P2-J2
P1-J1

: .5 OHM MAX
: .5 OHM MAX
: .5 OHM MAX
: .5 OHM MAX

3.0 COMMON MODE:

: CMA (-dB)



FREQUENCY (MHz)	TYPICAL	MIN
1	8	5
5	17	15
20	23	15
70	25	20
200	22	17
500	11	6

NOTES

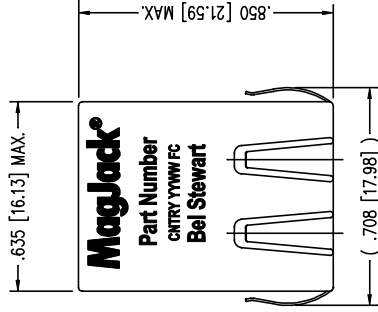
1.0 PINS WITHOUT ELE

ORIGINATED BY	DATE	TITLE	PART NO. / DRAWING NO.	STANDARD DIM.
Bain Liu	09-01-09	MagJack® CMC TAB DOWN, SHIELDED	SI-60158-F	TOL. IN INCH
DRAWN BY	DATE		FILE NAME	
Bain Liu	09-01-09		SI-60158-F.DWG	.X .XX .XXX ±0.00

FM895183 REV B1

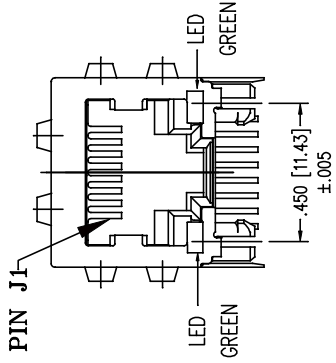
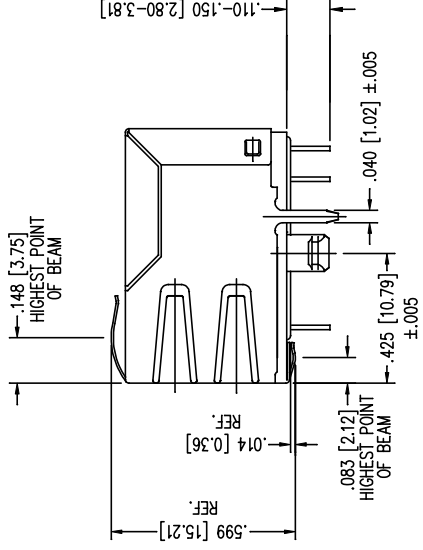
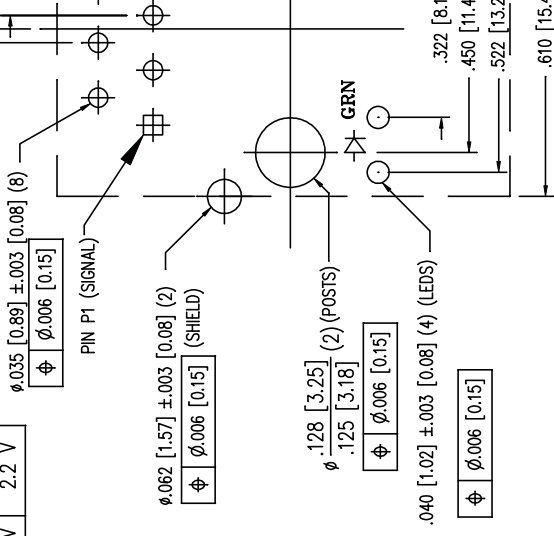
This document is electronically generated. This is a controlled copy if used Internally

THE INFORMATION CONTAINED HEREIN IS CONSIDERED "PROPRIETARY" TO BEL FUSE INC. AND SHALL NOT BE COPIED, REPRODUCED OR DISCLOSED WITHOUT THE WRITTEN APPROVAL OF BEL FUSE INC.



LED SPECIFICATION			
STANDARD LED	WAVELENGTH	Forward V (MAX)	* (TYP)
GREEN	565 nm	2.5 V	2.2 V

*WITH A FORWARD CURRENT OF 20 mA (TYP)



P.C.B. RECOMMENDED SEEN FROM COMP

ALL CENTERLINE DIMEN

NOTES:

- CONNECTOR MATERIALS:
HOUSING: THERMOPLASTIC UL94 V
CONTACT/SHIELD: COPPER ALLOY
SHIELD PLATING: NICKEL OR TIN
CONTACT PLATING: SELECTIVE GOLD
50 MICRO-INCH
- PIN NOT ELECTRICALLY CONNECTED
SEE ELECTRICAL DRAWING FOR OMI
- TOLERANCES COMPLY WITH F.C.C. I
- ALL TOLERANCES NOT OTHERWISE
- WAVE SOLDER COMPATIBLE - PREF

ORIGINATED BY	DATE
Bain Liu	09-01-09
DRAWN BY	DATE
Bain Liu	09-01-09

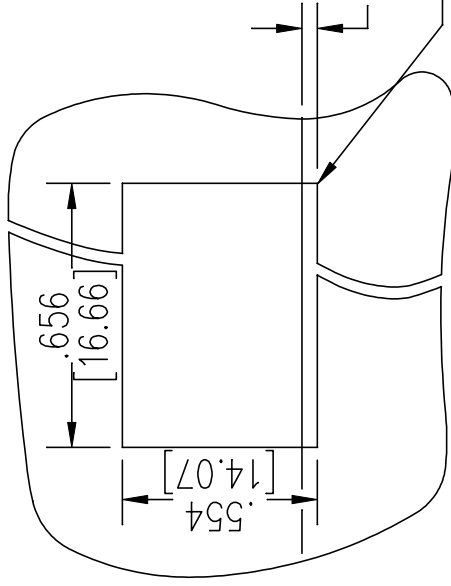
TITLE	MagJack CMC TAB DOWN, SHIELDED
-------	---

PART NO. / DRAWING NO.	SI-60158-F
FILE NAME	SI-60158-F.DWG

STANDARD DIM.	TOL. IN INCH
	.X
	.XX
	.XXX
	±0.00

This document is electronically generated. This is a controlled copy if used internally

THE INFORMATION CONTAINED HEREIN IS CONSIDERED "PROPRIETARY" TO BEL FUSE INC. AND SHALL NOT BE COPIED, REPRODUCED OR DISCLOSED WITHOUT THE WRITTEN APPROVAL OF BEL FUSE INC.



.000 (TOP OF PCB TO BOTTOM OF OPENING)

.010 [0.25] MAX. RADIUS(4)

SUGGESTED PANEL OPENING

1. THE SUGGESTED PANEL OPENING IS INTENDED TO GIVE THE USER THE ABILITY TO REMOVE THE REASONABLE JACK / WIRE WITHOUT YET MAINTAIN RELIABLE CAPABILITY.
2. ALL TOLERANCES NOTED ARE INTENDED TO BE ± 0.005 [0.13]



ORIGINATED BY Bain Liu	DATE 09-01-09	TITLE MagJack[®] CMC TAB DOWN, SHIELDED	PART NO. / DRAWING NO. SI-60158-F	STANDARD DIM. TOL. IN INCH
DRAWN BY Bain Liu	DATE 09-01-09		FILE NAME SI-60158-F.DWG	.X .XX .XXX
				± 0.005

FM895183 REV B1

This document is electronically generated. This is a controlled copy if used Internally

Looking for pricing, stock, or lifecycle information?

Click below to explore more details on WIN SOURCE:

-  [View SI-60158-F on WIN SOURCE](#)
-  [Bel Fuse Inc. Information](#)

Optimize Your Supply Chain with WIN SOURCE Solutions

-  Global Sourcing Solution
-  Obsolete Management
-  Cost Control Management
-  Shortage Management
-  Alternative Solution
-  Excess Inventory Management