

THIS COPY IS PROVIDED ON A RESTRICTED BASIS AND IS NOT TO BE USED IN ANY WAY DETRIMENTAL TO THE INTERESTS OF PANDUIT CORP.

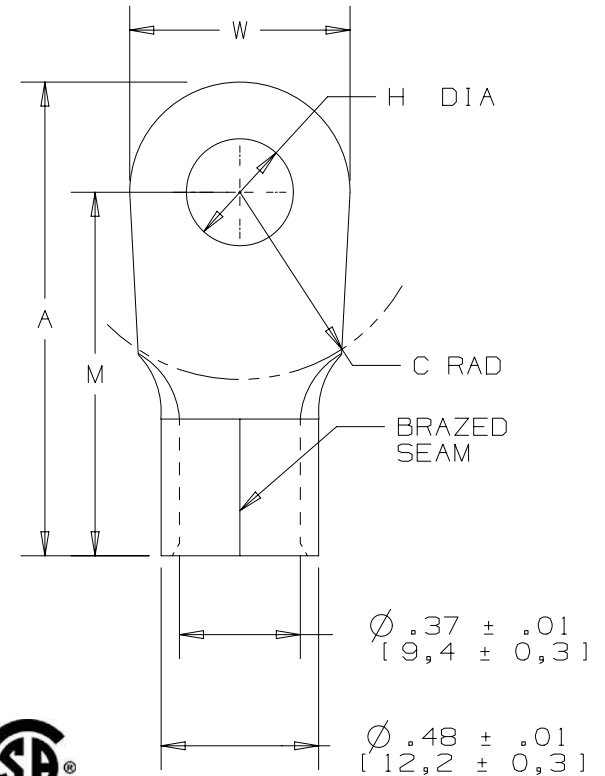
PANDUIT PART NUMBER	STUD SIZE	DIMENSIONS - in [mm]				
		A ± .03 [0,8]	W ± .01 [0,3]	C ± .02 [0,5]	M ± .03 [0,8]	H ± .01 [0,3]
P2-10R	#10	1.46 [37,1]	.68 [17,3]	.58 [14,7]	1.12 [28,5]	.20 [5,1]
P2-14R	1/4"	1.46 [37,1]	.68 [17,3]	.58 [14,7]	1.12 [28,5]	.27 [6,9]
P2-56R	5/16"	1.46 [37,1]	.68 [17,3]	.58 [14,7]	1.12 [28,5]	.33 [8,4]
P2-38R	3/8"	1.46 [37,1]	.68 [17,3]	.58 [14,7]	1.12 [28,5]	.39 [9,9]
P2-12R *	1/2"	1.55 [39,4]	.86 [21,8]	.58 [14,7]	1.12 [28,5]	.52 [13,2]

*P2-12R NOT CSA CERTIFIED

UL & CSA TOOL, DIES AND NUMBER OF CRIMPS		
TOOL	DIES	NUMBER OF CRIMPS
CT-1701	P2	2
CT-2600	CD-2600-P2	1

NOTES:

- UL LISTED AND CSA CERTIFIED FOR:
 - #2 AWG STRANDED COPPER WIRE
 - 302°F (150°C) MAX OPERATING TEMP
 - 2000 VOLTS MAX
- SEE WWW.PANDUIT.COM FOR PACKAGE QUANTITIES
- MATERIAL:
 - STAMPING - .060" [1,52] THK COPPER, TIN PLATED
- DIMENSIONS IN BRACKETS ARE IN MILLIMETERS
- WIRE STRIP LENGTH: $7/16" \begin{matrix} +1/32 \\ -0 \end{matrix} [11,1mm \begin{matrix} +0,8 \\ -0 \end{matrix}]$





TITLE		#2 BARREL NON-INSULATED RING TONGUE	
		CUSTOMER DRAWING	
ITEM REVISION NAME		N41212BB/09	
DATASET FILE NAME		N41212BB/09	
UNLESS OTHERWISE SPECIFIED, DIMENSIONAL TOLERANCES ARE: IN [mm]		MATERIAL: SEE NOTES	
.X ± .XXX ± .XX ± ANGLES ±		DRAWING NUMBER: A41212	
THIRD ANGLE PROJECTION		SHT 1 OF 1	
DRAWN BY	DATE	CHK	SCALE
DAW		RLS	NONE
REV	DATE	BY	CHK
		APR	
DESCRIPTION		ECN	

REV	DATE	BY	CHK	APR	DESCRIPTION	ECN
09	10/16/18	BWG	BJPU	JADE	REPLACED TABLE WITH NUMBER OF CRIMPS.	041687/00
08	5/17	JHNU	TMR	RGB	ADDED VOLTAGE RATING	N41212BB-A41212
07	07/15	TMR	TMR	RGB	ADDED CT-2600 TO PKG LABEL, CSA BACK TO DWG, UPDATED DIES	N41212BB-A41212
06	07/14	MBY	JHNU	RGB	REVISED NOTES, MOVED TOOLS TO TABLE, REVISED CERTIFICATION, UPDATED BORDER	N41212BB-A41212

D101000DA/16

Looking for pricing, stock, or lifecycle information?

Click below to explore more details on WIN SOURCE:

-  [View P2-38R-X on WIN SOURCE](#)
-  [Panduit Corp Information](#)

Optimize Your Supply Chain with WIN SOURCE Solutions

-  Global Sourcing Solution
-  Obsolete Management
-  Cost Control Management
-  Shortage Management
-  Alternative Solution
-  Excess Inventory Management