



THE DATASHEET OF
046811606000846+

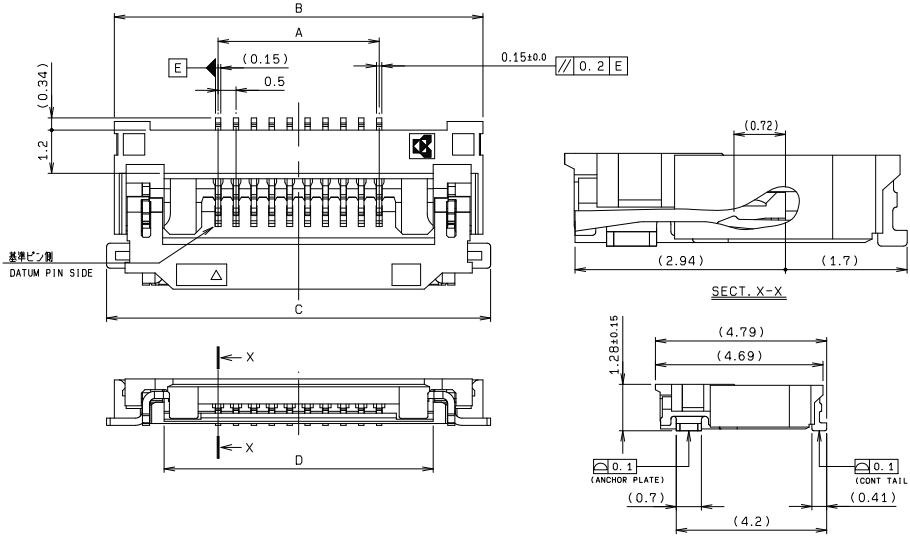


0.5mm Pitch

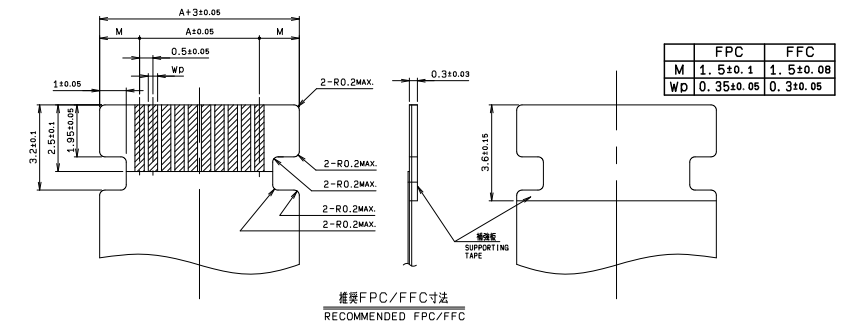
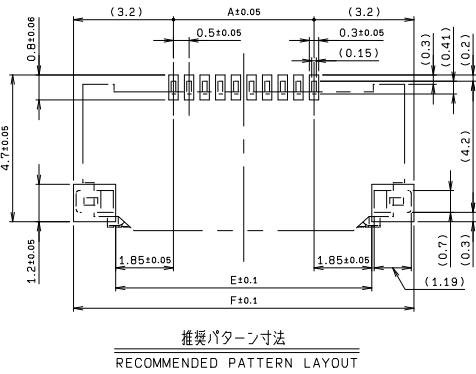
SERIES

6811

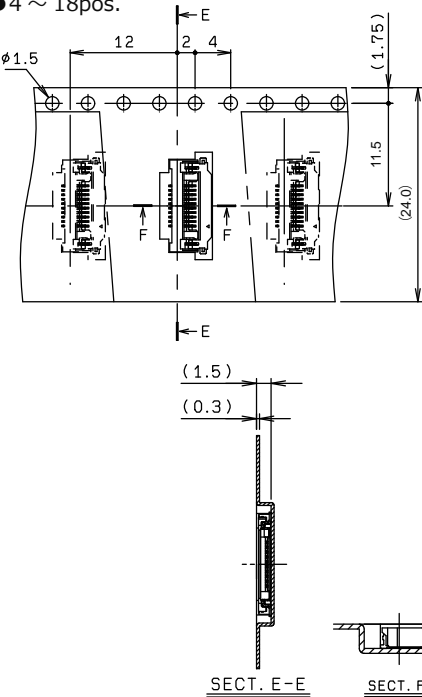
0.5mmピッチ FPC/FFCコネクタ
0.5mmPitch, FPC/FFC Connector



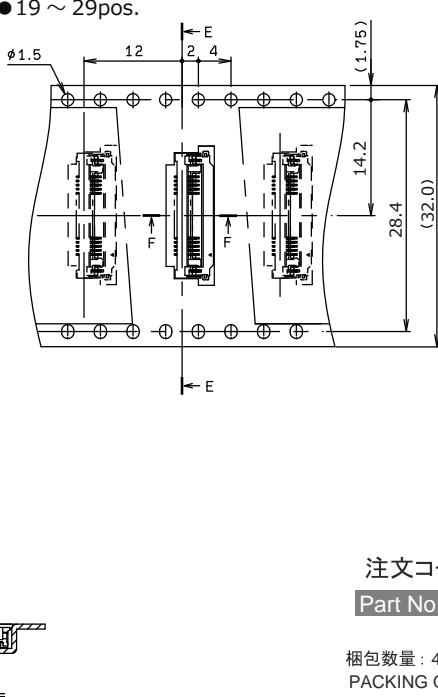
極数 NO. OF POS.	A	B	C	D	E	F
4	1.5	7.3	7.73	4.52	5.2	7.9
5	2.0	7.8	8.23	5.02	5.7	8.4
6	2.5	8.3	8.73	5.52	6.2	8.9
7	3.0	8.8	9.23	6.02	6.7	9.4
8	3.5	9.3	9.73	6.52	7.2	9.9
9	4.0	9.8	10.23	7.02	7.7	10.4
10	4.5	10.3	10.73	7.52	8.2	10.9
11	5.0	10.8	11.23	8.02	8.7	11.4
12	5.5	11.3	11.73	8.52	9.2	11.9
13	6.0	11.8	12.23	9.02	9.7	12.4
14	6.5	12.3	12.73	9.52	10.2	12.9
15	7.0	12.8	13.23	10.02	10.7	13.4
16	7.5	13.3	13.73	10.52	11.2	13.9
17	8.0	13.8	14.23	11.02	11.7	14.4
18	8.5	14.3	14.73	11.52	12.2	14.9
19	9.0	14.8	15.23	12.02	12.7	15.4
20	9.5	15.3	15.73	12.52	13.2	15.9
21	10.0	15.8	16.23	13.02	13.7	16.4
22	10.5	16.3	16.73	13.52	14.2	16.9
23	11.0	16.8	17.23	14.02	14.7	17.4
24	11.5	17.3	17.73	14.52	15.2	17.9
25	12.0	17.8	18.23	15.02	15.7	18.4
26	12.5	18.3	18.73	15.52	16.2	18.9
27	13.0	18.8	19.23	16.02	16.7	19.4
28	13.5	19.3	19.73	16.52	17.2	19.9
29	14.0	19.8	20.23	17.02	17.7	20.4
30	14.5	20.3	20.73	17.52	18.2	20.9
31	15.0	20.8	21.23	18.02	18.7	21.4
32	15.5	21.3	21.73	18.52	19.2	21.9



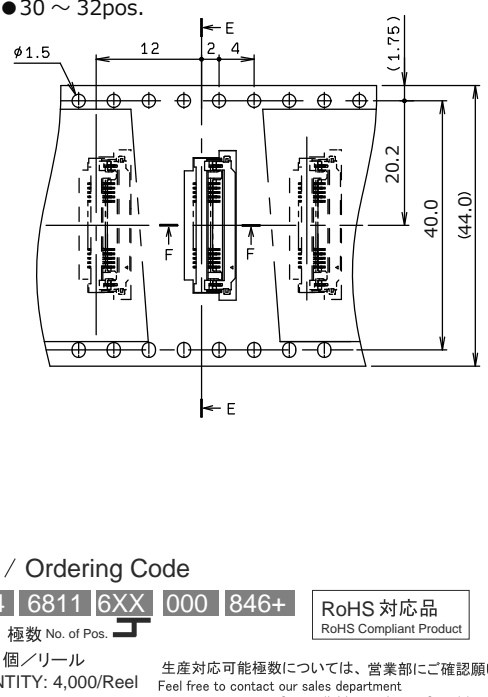
● 4 ~ 18pos.



● 19 ~ 29pos.



● 30 ~ 32pos.



注文コード / Ordering Code

Part No. 04 6811 6XX 000 846+

極数 No. of Pos.

RoHS 対応品
RoHS Compliant Product

梱包数量 : 4,000 個/リール
PACKING QUANTITY: 4,000/Reel

生産対応可能極数については、営業部にご確認願います。
Feel free to contact our sales department
for available numbers of positions.



- このカタログの記載内容については予告なく変更することがありますので、ご了承ください。
Specification of the catalogue might be changed without notice.
- 御使用の際は、納入仕様書を確認の上、正しくお使いください。
Please verify our drawing and specification with your design.

Looking for pricing, stock, or lifecycle information?

Click below to explore more details on WIN SOURCE:

- [View 046811606000846+ on WIN SOURCE](#)
- [AVX Corp/Kyocera Corp Information](#)

Optimize Your Supply Chain with WIN SOURCE Solutions

- ✓ Global Sourcing Solution
- ✓ Obsolete Management
- ✓ Cost Control Management
- ✓ Shortage Management
- ✓ Alternative Solution
- ✓ Excess Inventory Management