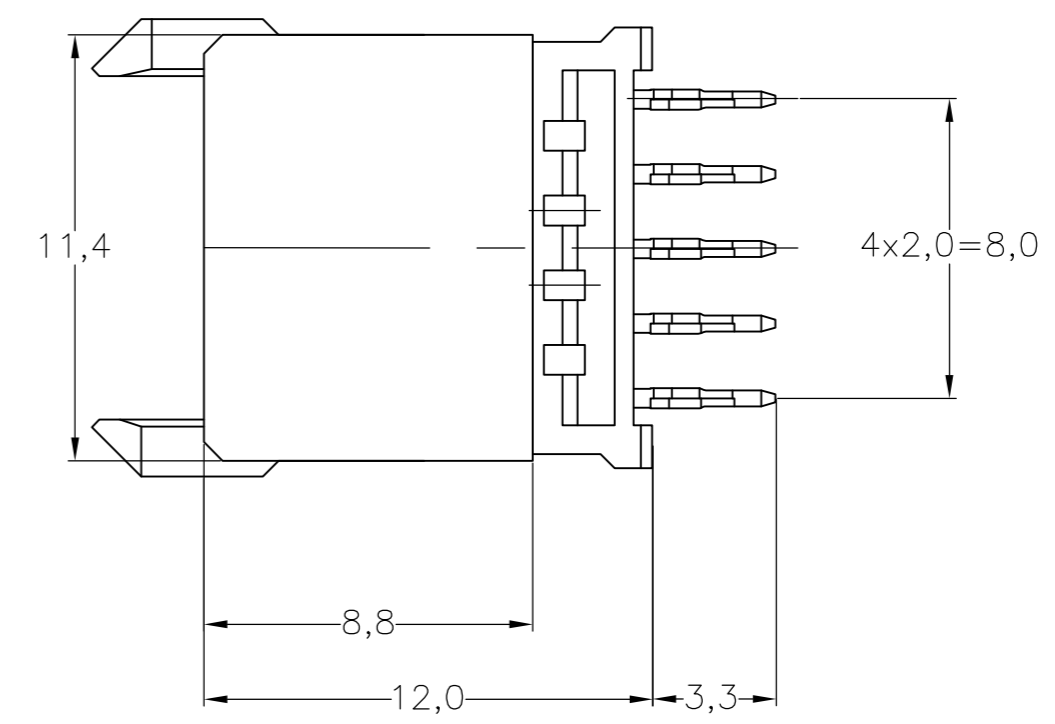
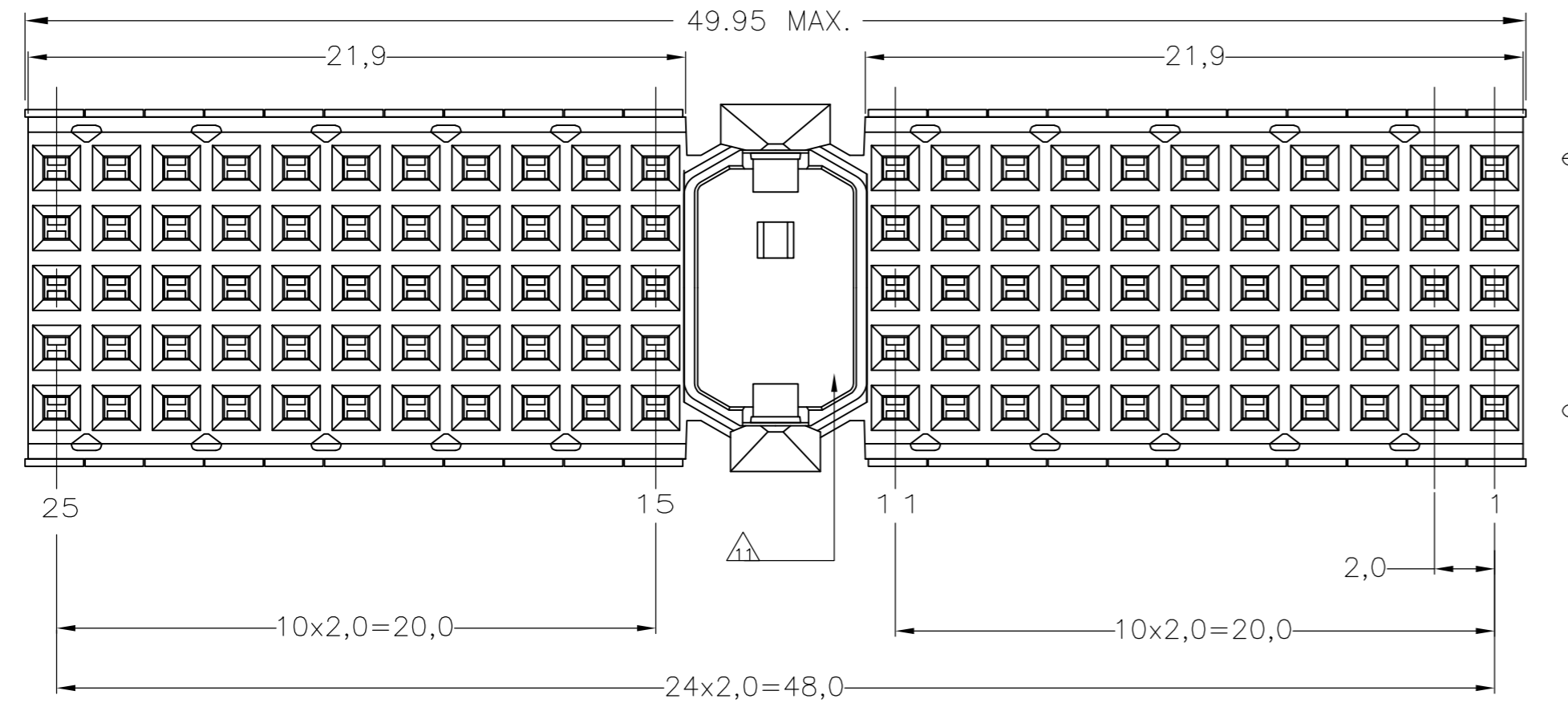
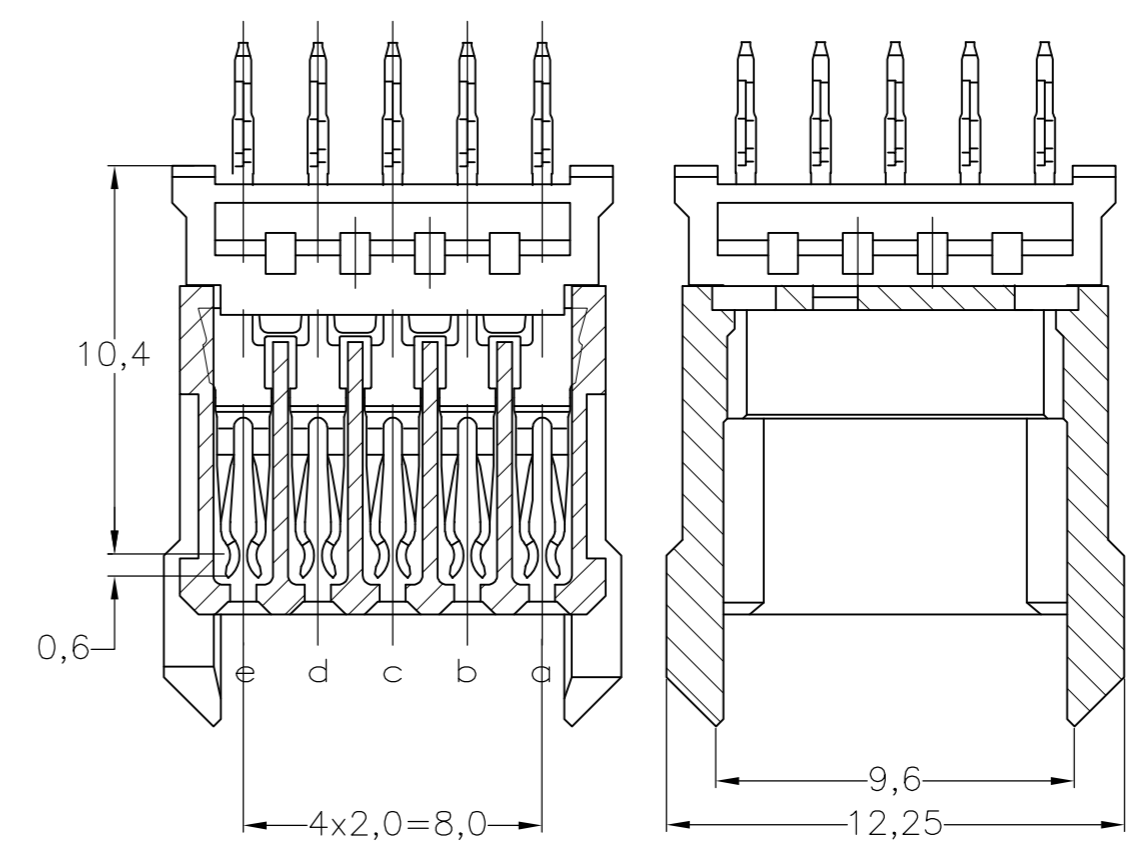
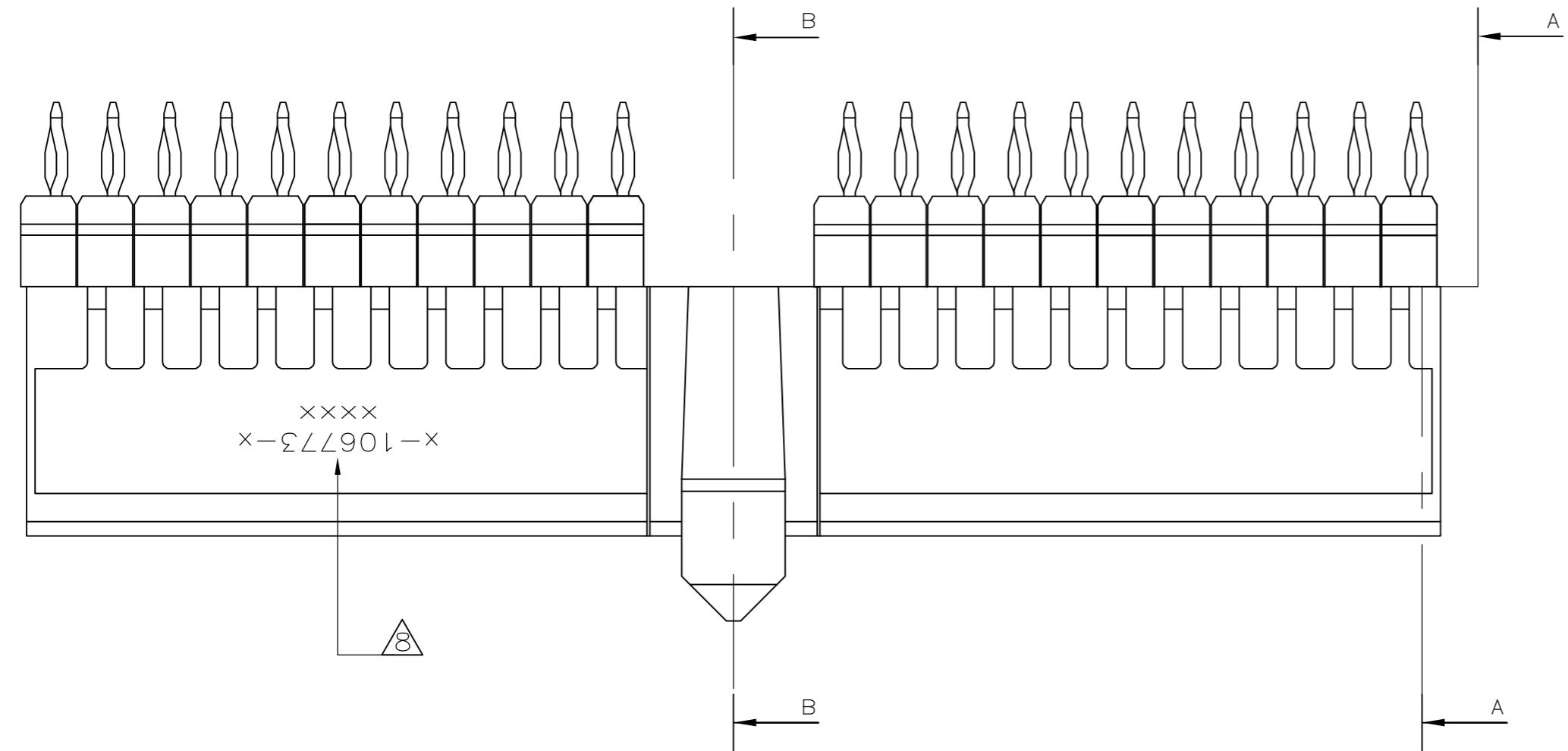


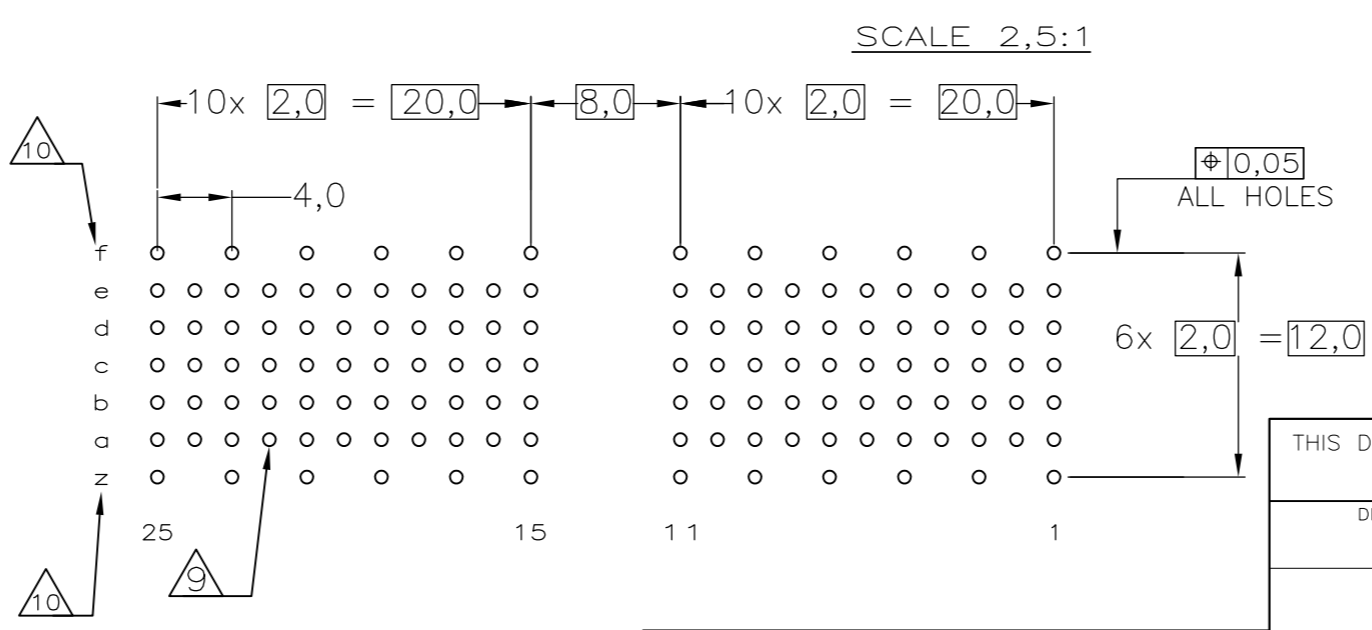
THIS DRAWING IS UNPUBLISHED. RELEASED FOR PUBLICATION
 © COPYRIGHT - By - ALL RIGHTS RESERVED.

LOC		DIST		REVISIONS			
P	LTR	DESCRIPTION	DATE	OWN	APVD		
N		REVISED PER ECO-11-008643	26MAR11	RC	CW		
P		ECO-11-024491	13DEC11	SY	MQW		



NOTES:

- 1 MATERIAL CONTACT: PHOSPHORBRONZE
MATERIAL HOUSING: GLASSFILLED POLYESTER
UL-RATING 94VO(GRAY)
- 2 GENERAL PLATING SPECIFICATION: UNDERPLATING (ENTIRE CONTACT): 1,27µm NICKEL MIN. AND ACTION PIN: 0,5µm TIN-LEAD MIN.
FOR PLATING OF MATING SURFACES SEE APPLICABLE SPECIFICATION REFERENCE FOR EACH DASH NUMBER.
- 3 CONFORMS TO ALL TESTING ACCORDING IEC 61076-4-101 PERFORMANCE LEVEL 2.
- 4 CONFORMS TO ALL TESTING ACCORDING IEC 61076-4-101 PERFORMANCE LEVEL 1.
- 5 CONNECTOR TESTED AND QUALIFIED AGAINST TELCORDIA GR-1217-CORE QUALITY LEVEL III, CENTRAL OFFICE APPLICATIONS.
- 6 CONNECTOR TESTED AND QUALIFIED AGAINST TELCORDIA GR-1217-CORE QUALITY LEVEL III, UNCONTROLLED ENVIRONMENT APPLICATIONS.
- 7 CONNECTOR LUBRICATED WITH TELCORDIA APPROVED LUBRICANT.
- 8 CONNECTOR PRINTED WITH PARTNUMBER AND DATECODE.
- 9 PLATED-THROUGH HOLES AT 2x2mm SQUARE GRID (110 HOLES).
- 10 HOLES IN ROW f AND z FOR POSSIBLE FUTURE USE OF GROUND RETURN SHIELD. (SHIELDS NOT YET TOOLED)
- 11 AREA RESERVED FOR KEYING PART (BASIC P.N.:100526).



P.C.B. HOLE DIM. ACTION PIN
FOR DETAILS SEE APPLICATION SPECIFICATION

- 12 OBSOLETE PARTS: OBSOLETE CIS STREAMLINING PER D.RENAUD/D.SINISI
- 13 0.76µm MIN GOLG PLATING AT MATING SURFACES.

FINISH	MATERIAL	PART NUMBER
13	1	3-106773-0
13	1	1-106773-9
13	1	106773-9
13	1	106773-4
13	1	106773-1

THIS DRAWING IS A CONTROLLED DOCUMENT.


DIMENSIONS: mm	TOLERANCES UNLESS OTHERWISE SPECIFIED:	DWN L.V.D.HEJVDEN 14APR97	TE Connectivity
	0-PLC ±	CHK D. TRUREN 14APR97	
	1-PLC ±	APVD F.V.KONINGSBRUGGE	
	2-PLC ± ±0.2	PRODUCT SPEC 108-19082	
MATERIAL	FINISH	APPLICATION SPEC 114-19029	NAME Z-PACK 2MM HM TYPE A 110 POS. VERTICAL FEMALE CONNECTOR ASSEMBLY
CUSTOMER DRAWING		WEIGHT	RESTRICTED TO

SIZE A2 CAGE CODE 00779 DRAWING NO. 106773

SCALE NTS SHEET 1 of 1 REV P

Looking for pricing, stock, or lifecycle information?

Click below to explore more details on WIN SOURCE:

 [View 106773-1](#) on WIN SOURCE

 [TE Connectivity](#) Information

Optimize Your Supply Chain with WIN SOURCE Solutions

-  Global Sourcing Solution
-  Obsolete Management
-  Cost Control Management
-  Shortage Management
-  Alternative Solution
-  Excess Inventory Management