



THE DATASHEET OF
381-015-112L565



DESCRIPTION: MICRO D-SUB CONNECTOR - MALE - RIGHT ANGLE

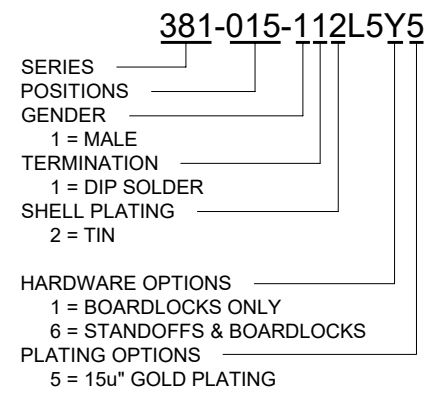
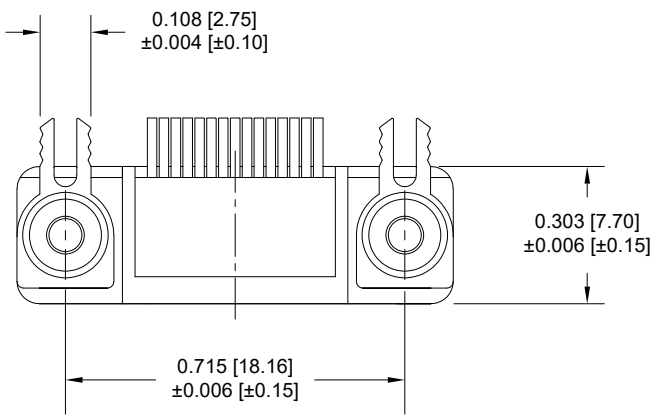
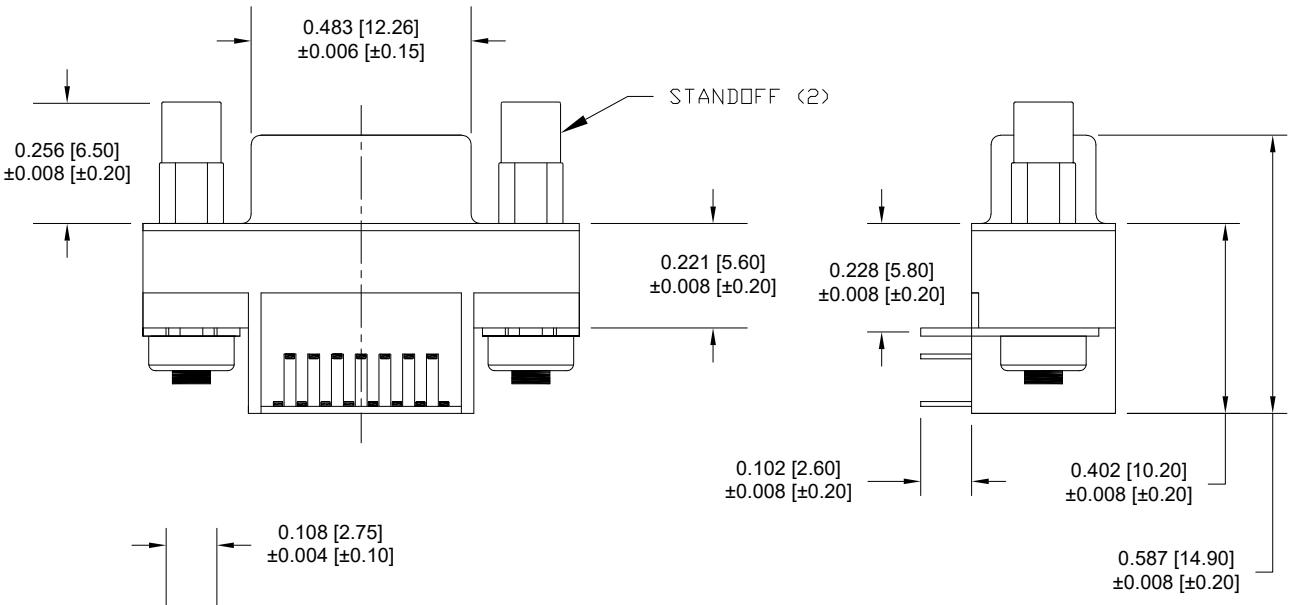
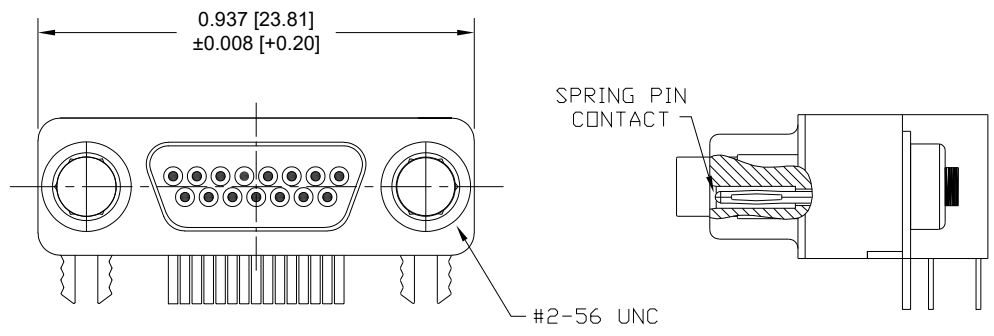
SPECIFICATIONS:

MATERIALS:
 INSULATOR: THERMOPLASTIC, UL94 V-0
 CONTACTS: 15µ" GOLD PLATED BRASS
 TIN PLATED SOLDER TAILS
 NICKEL UNDERPLATE
 TIN PLATED STEEL

ELECTRICAL:
 RATED CURRENT: 1A
 D.W.V.: 500 VAC 1 MIN
 INSULATION RESISTANCE: 100 MOhms MIN.
 CONTACT RESISTANCE: 45 mOhms MAX.

ENVIRONMENT:
 OPERATING TEMPERATURE: -55°C TO +85°C

MAX TORQUE STANDOFFS: 2.5in-lbs



NOTE:
 *NOT DESIGNED TO MATE WITH NORCOMP 580-M // 581-M SERIES CONNECTORS. IF ANY QUESTIONS PLEASE CONTACT ENG@NORCOMP.NET
 **IF MATING TO NORCOMP 380 SERIES FEMALE MICRO D, STANDOFFS ON THIS CONNECTOR MUST BE REMOVED TO ALLOW FULLY FASTENED MATING

RoHS COMPLIANT

UNITS = inch [mm]

DO NOT SCALE FROM DRAWING

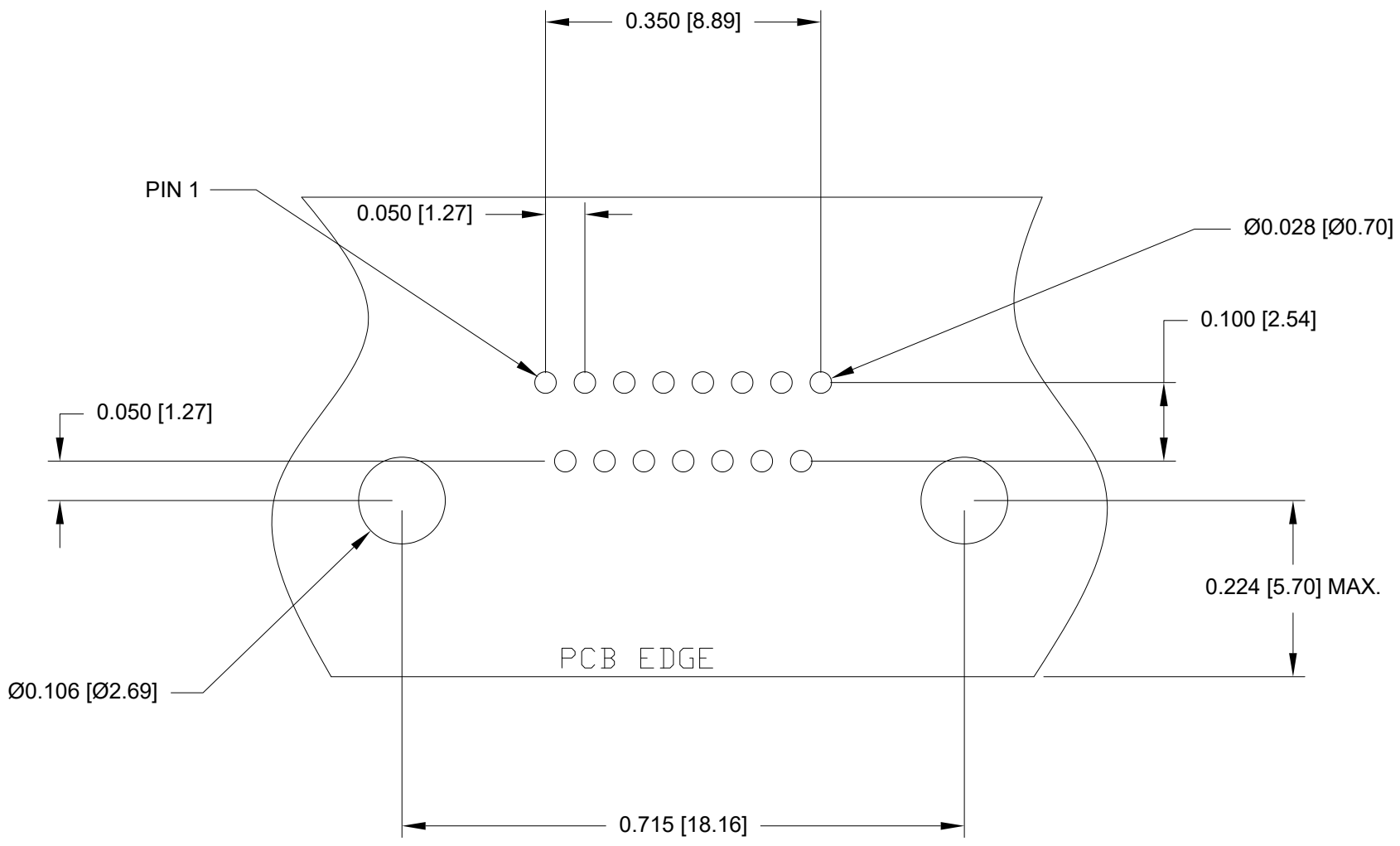


THESE DRAWINGS AND SPECIFICATIONS ARE THE PROPERTY OF NorComp AND SHALL NOT BE REPRODUCED, COPIED OR USED AS THE BASIS FOR THE MANUFACTURE OR SALE OF APPARATUS WITHOUT WRITTEN PERMISSION.

DRAWN: M. SIGMON
 DATE: 08/22/2011

NorComp

SCALE: NTS	SHEET 1 OF 2	REV 6
DWG NO. 381-015-112L565		



RECOMMENDED PCB LAYOUT (Top View)
 (15 POSITION ONLY) TOLERANCE ±0.002 [±0.05]

RoHS COMPLIANT

UNITS = inch [mm]

DO NOT SCALE FROM DRAWING



THESE DRAWINGS AND SPECIFICATIONS ARE THE PROPERTY OF NorComp AND SHALL NOT BE REPRODUCED, COPIED OR USED AS THE BASIS FOR THE MANUFACTURE OR SALE OF APPARATUS WITHOUT WRITTEN PERMISSION.


DRAWN:
M. SIGMON
 DATE:
08/22/2011

NorComp

SCALE: NTS	SHEET 2	OF 2	REV 6
DWG NO.		381-015-112L565	

Looking for pricing, stock, or lifecycle information?

Click below to explore more details on WIN SOURCE:

 [View 381-015-112L565 on WIN SOURCE](#)

 [NorComp Inc. Information](#)

Optimize Your Supply Chain with WIN SOURCE Solutions

-  Global Sourcing Solution
-  Obsolete Management
-  Cost Control Management
-  Shortage Management
-  Alternative Solution
-  Excess Inventory Management