

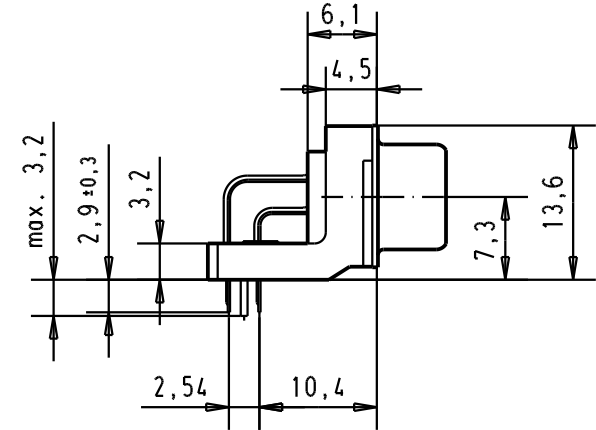
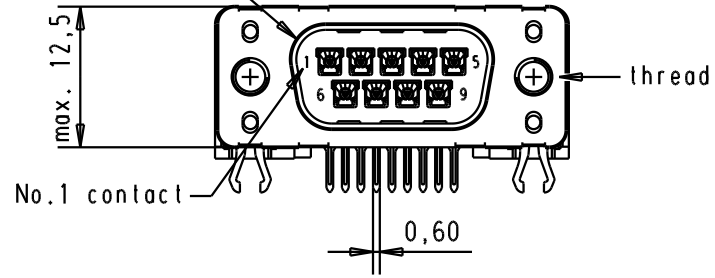


THE DATASHEET OF
09651626812

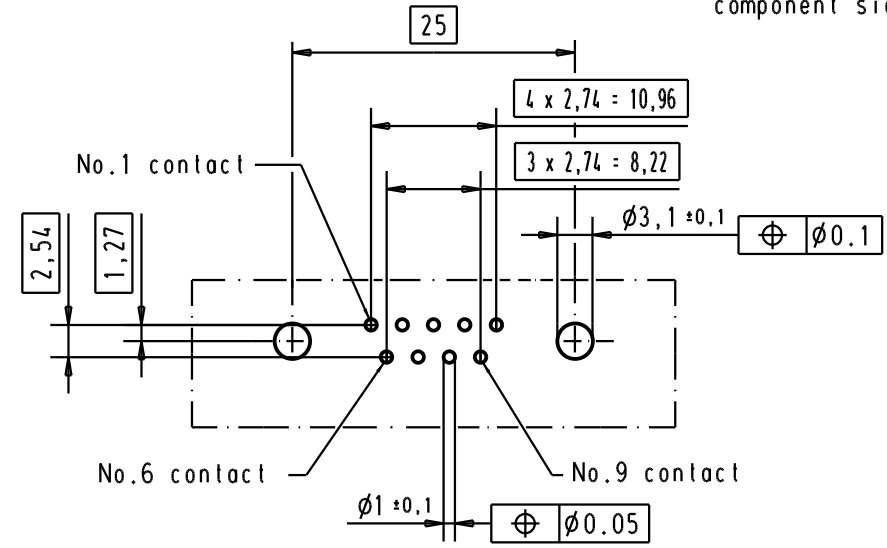
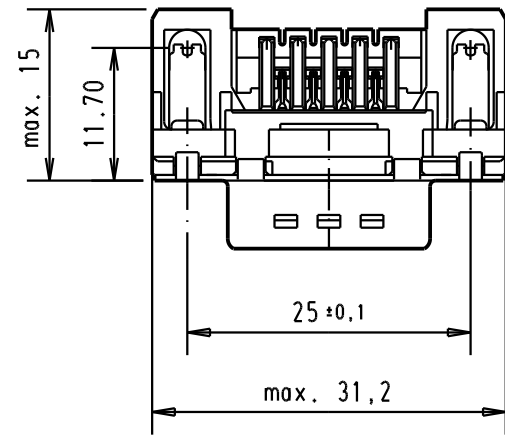


5 4 3 2 1



Mating face according to : MIL-C-24308 / DIN 41652 / CECC 75301-802



PCB layout hole component side



Connector retention and insertion forces on the PCB = 25 / 80 newtons

A	09 65 162 3811		M 3	1							 All Dim. in mm Orig. Size DIN A 4	D-Sub, male, standard angle, 09 poles, with solder pin, nut and grounding board lock.	Maßstab/ Scale 1.5:1
	Part number	Nut thread	Performance level	Mod.	Dat.	Name	Detail.	Dat.	Name	Sub.			
	09 65 162 6811	M 3		2									
	09 65 162 7811	M 3		3	31892	22/04/04	JH	Insp.					
	09 65 162 3812	4-40 UNC		1	31084	04/09/02	YT	Stand.					
	09 65 162 6812	4-40 UNC		2	29689	03/07/01	AA						
	09 65 162 7812	4-40 UNC		3	27957	20/nov/00	jfb						
	Part number		Nut thread	Performance level	Mod.	Dat.	Name	HARTING EURL F-95972 Paris			TB 0965162x81x		Blatt/ Page 5

Looking for pricing, stock, or lifecycle information?

Click below to explore more details on WIN SOURCE:

 [View 09651626812 on WIN SOURCE](#)

 [HARTING](#) Information

Optimize Your Supply Chain with WIN SOURCE Solutions

-  Global Sourcing Solution
-  Obsolete Management
-  Cost Control Management
-  Shortage Management
-  Alternative Solution
-  Excess Inventory Management