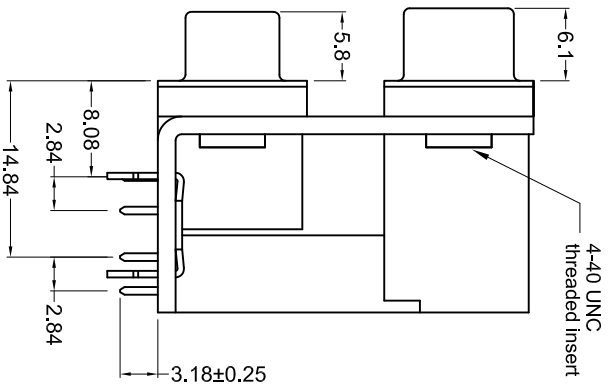
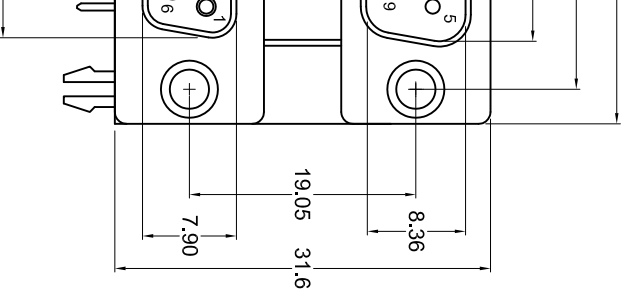




**THE DATASHEET OF
K42X-E9P/S-A4N**





Material and Finish

Shell: Steel, nickel plated

Insulator: PBT thermoplastic
with glass-fiber reinforcement,
UL94V-0 rated
Color: Black

Contact Material:

Plug - Brass
Socket - Phosphor Bronze

Contact Plating Options:

- Standard: gold flash on mating end, tin on termination end, nickel underplate on entire contact
- 15 Option: 15u" gold on mating end, tin on termination end, nickel underplate on entire contact
- 30 Option: 30u" gold on mating end, tin on termination end, nickel underplate on entire contact

Electrical Specifications

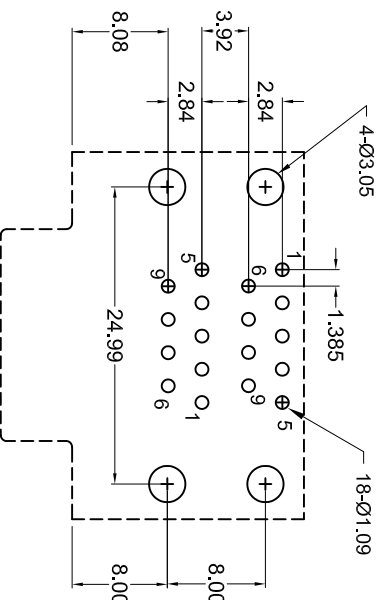
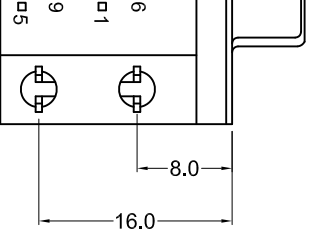
Rated Current: 1.2A

Rated Voltage: 30V RMS

Insulation Resistance:
more than 1000 megohms at
500V DC

Contact Resistance:
13 milliohms max.

Dielectric Withstanding Voltage:
1000V for 1 minute
Operating Temperature:
-55°C to +105°C



Recommended PC Board Layout
(Top Front View)

Contact Area Plating Finish
Gold Flash (standard option)
15u" Gold (15 option)
30u" Gold (30 option)

V. BY	CHK. BY	DRAWN BY	DATE
Yguire	H. MA	R. Aguirre	05/05/06
ederick	H. MA		
Vien	H. MA		
Ibanaa	C. Furumasa		
MA	D. Sheehan		
		UNITS	mm

K42X-E9P/S-A4N

9 Male / 9 Fem D-Sub, 0.750" Spacing

w/ 4 Gnd. Brackets, RoHS Compliant

ROHS COMPLIANT



LF78160
US

Tolerances

XX ± 0.25
X.XX ± 0.15
Unless Stated
Otherwise



Looking for pricing, stock, or lifecycle information?

Click below to explore more details on WIN SOURCE:

 [View K42X-E9P/S-A4N on WIN SOURCE](#)

 [Kycon, Inc. Information](#)

Optimize Your Supply Chain with WIN SOURCE Solutions

-  Global Sourcing Solution
-  Obsolete Management
-  Cost Control Management
-  Shortage Management
-  Alternative Solution
-  Excess Inventory Management