



THE DATASHEET OF
183-009-213R531



SPECIFICATIONS:

MATERIALS:

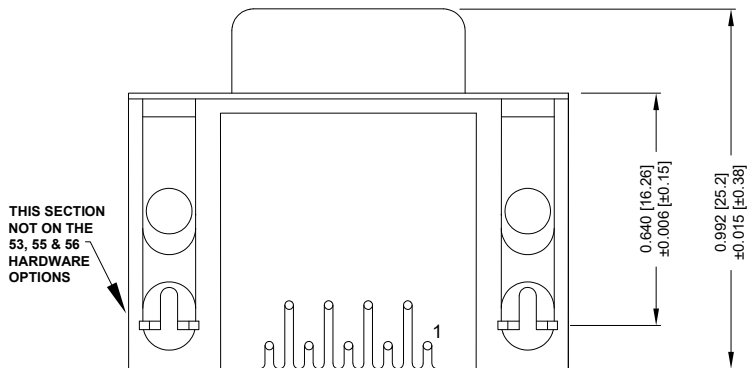
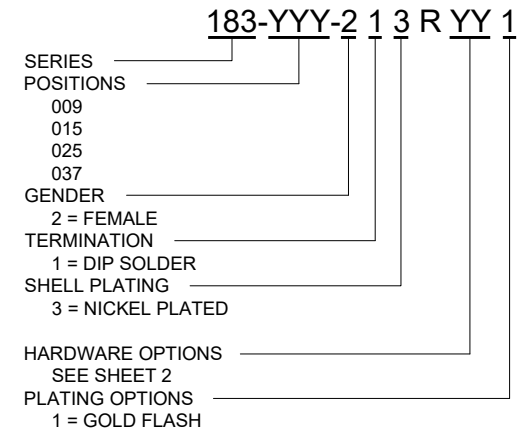
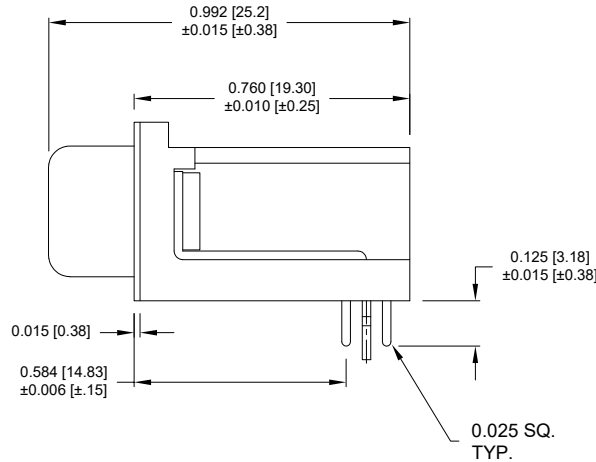
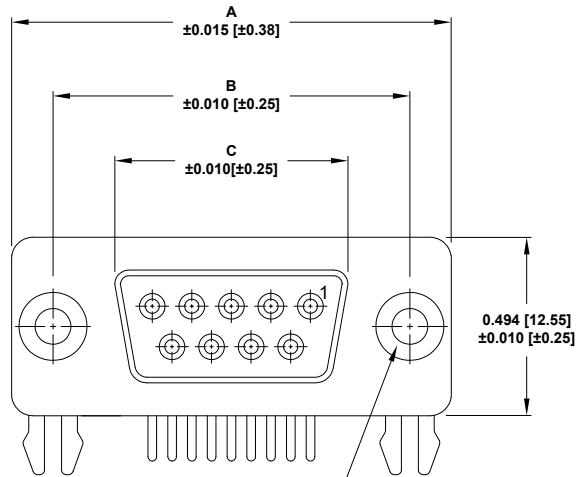
INSULATOR:	PA9T, UL94 V-0, BLACK
CONTACTS:	GOLD PLATED BRASS
RIVET:	NICKEL PLATED BRASS
SCREWLOCK:	NICKEL PLATED ZINC ALLOY
BOARDLOCK:	TIN PLATED STEEL
SHELL:	TIN PLATED STEEL

ELECTRICAL:

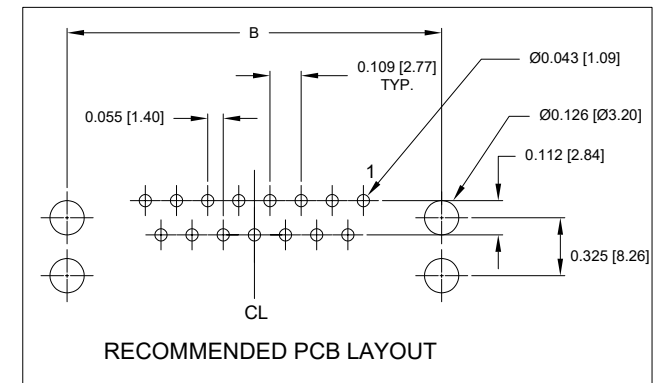
RATED CURRENT:	5A
DIELECTRIC WITHSTAND VOLTAGE:	1000VAC for 1 MIN.
INSULATION RESISTANCE:	1000 MOhms MIN.
CONTACT RESISTANCE:	15 mOhms MAX.

ENVIRONMENT:

OPERATING TEMPERATURE:	-55°C TO +105°C
------------------------	-----------------



No. OF PINS	DIMENSIONS		
	A	B	C
9	1.213	0.984	0.642
	30.81	24.99	16.30
15	1.541	1.312	0.971
	39.14	33.32	24.65
25	2.088	1.852	1.512
	53.04	47.04	38.40
37	2.729	2.500	2.157
	69.32	63.50	54.80



RoHS COMPLIANT

UNITS = inch [mm]

DO NOT SCALE FROM DRAWING



THESE DRAWINGS AND SPECIFICATIONS ARE THE PROPERTY OF NorComp AND SHALL NOT BE REPRODUCED, COPIED OR USED AS THE BASIS FOR THE MANUFACTURE OR SALE OF APPARATUS WITHOUT WRITTEN PERMISSION.

DRAWN:
P. JENKINS

DATE:
04/28/2005

NorComp

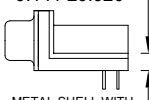
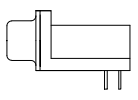
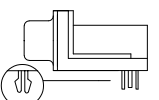
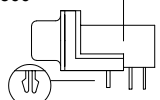
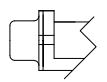
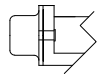
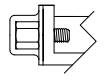
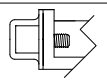
SCALE:
NTS

SHEET 1 OF 2

REV 13

DWG NO.

183-YYY-213RYY1

	 0.141 ±0.020 METAL SHELL WITH INSIDE GROUND STRAPS	 METAL SHELL	 METAL SHELL FORK BOARD LOCKS	 0.500 METAL SHELL FORK BOARD LOCKS
 0.120" DIA. HOLE	16	N/A	N/A	55
 4-40 FLUSH INSERT	17	45	57 BOARD LOCKS IN REAR HOLE (0.590")	53 BOARD LOCKS IN FRONT HOLE (0.590")
 4-40 HEX STANDOFF FEMALE SCREWLOCK	18	48	54 BOARD LOCKS IN REAR HOLE	56 BOARD LOCKS IN FRONT HOLE
 4-40 ROUND STANDOFF FEMALE SCREWLOCK	N/A	N/A	N/A	N/A

RoHS COMPLIANT

UNITS = inch [mm]

DO NOT SCALE FROM DRAWING



THESE DRAWINGS AND SPECIFICATIONS ARE THE PROPERTY OF NorComp AND SHALL NOT BE REPRODUCED, COPIED OR USED AS THE BASIS FOR THE MANUFACTURE OR SALE OF APPARATUS WITHOUT WRITTEN PERMISSION.

DRAWN:
P. JENKINS

DATE:
04/28/2005

NorComp

SCALE:
NTS

SHEET OF
2 2

REV
13

DWG NO.

183-YYY-213RYY1

Looking for pricing, stock, or lifecycle information?

Click below to explore more details on WIN SOURCE:

 [View 183-009-213R531 on WIN SOURCE](#)

 [NorComp Inc. Information](#)

Optimize Your Supply Chain with WIN SOURCE Solutions

-  Global Sourcing Solution
-  Obsolete Management
-  Cost Control Management
-  Shortage Management
-  Alternative Solution
-  Excess Inventory Management