



THE DATASHEET OF

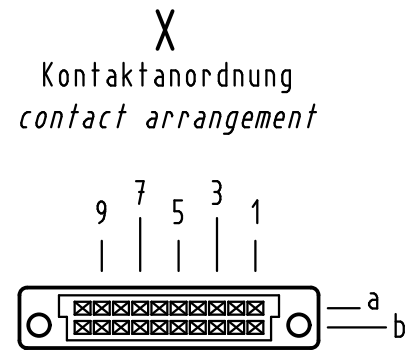
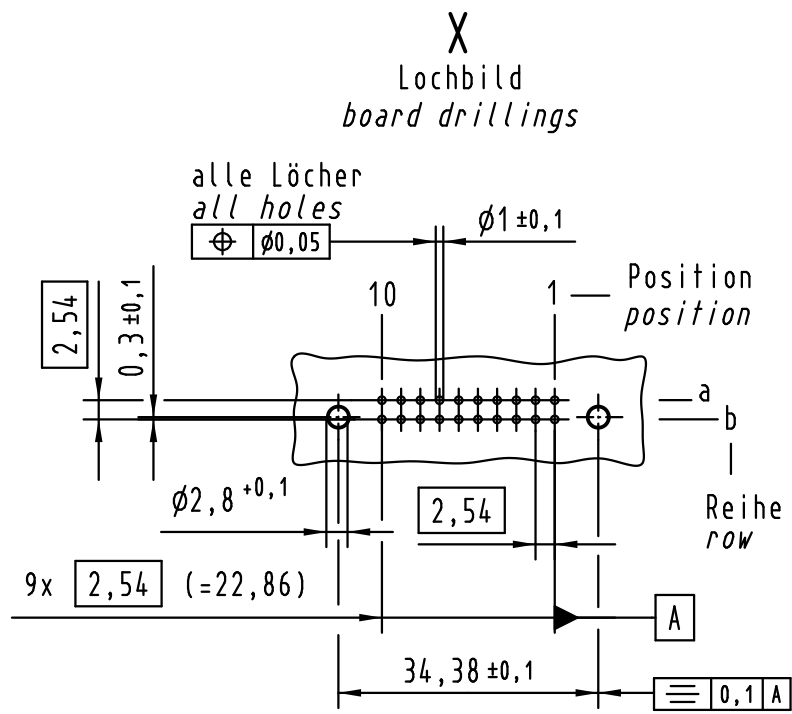
09242206825

www.win-source.net



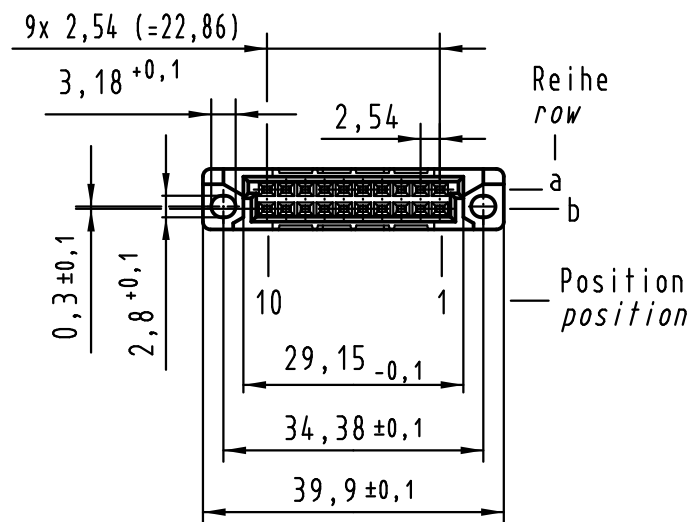
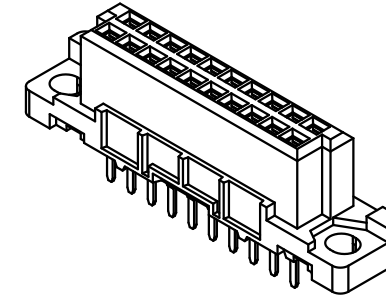
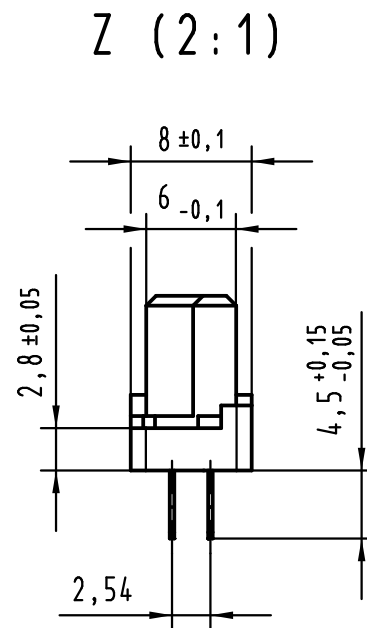
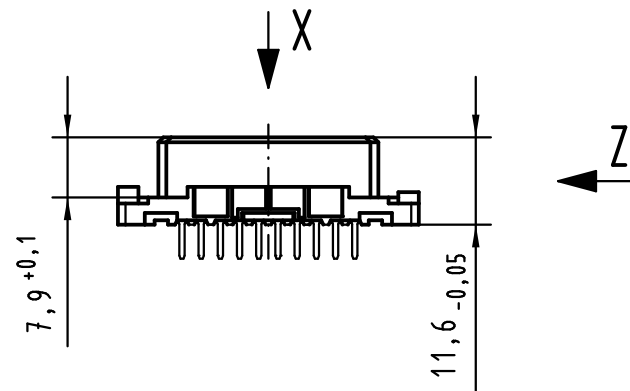
0086-755-83957316

Alle Rechte vorbehalten/ All rights reserved



20 Einlöt Kontakte
20 solder contacts

- ☒ = Einlöt Kontakt
= solder contact
- ☐ = Kontaktposition nicht belegt
= position without contact



① weitere Informationen siehe: DS 09 03 210 00 01
further information see: DS 09 03 210 00 01

09 24 220 6825	2
Bestell-Nr. part-no.	Anforderungsstufe performance level ①

All Dimensions in mm Original Size DIN A 3			Techn. Character.			Nicht tolerierte Maßel/Free size tolerances IEC 60603-2			
Mod.	Dat.	Name	Detail.	Insp.	Stand.	Maßstab/Scale 1:1	har-bus 3B Federleiste Einlöt 4,5 , 20-polig har-bus 3B female connector solder 4.5 , 20-pole		
36370	21.07.11	HL.	03.02.09	MS				TB 09 24 220 x825	Blatt/ page
36369	07.06.11	HL.	03.02.09	RA					
35603									
HARTING Electronics GmbH & Co. KG D-32339 ESPELKAMP			Sub.						

Looking for pricing, stock, or lifecycle information?

Click below to explore more details on WIN SOURCE:

[View 09242206825 on WIN SOURCE](#)

[HARTING](#) Information

Optimize Your Supply Chain with WIN SOURCE Solutions

- ✓ Global Sourcing Solution
- ✓ Obsolete Management
- ✓ Cost Control Management
- ✓ Shortage Management
- ✓ Alternative Solution
- ✓ Excess Inventory Management