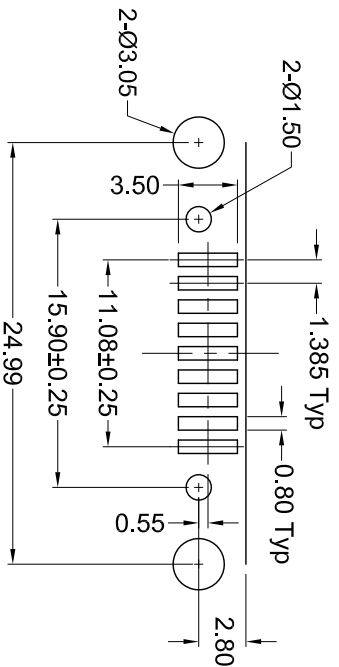
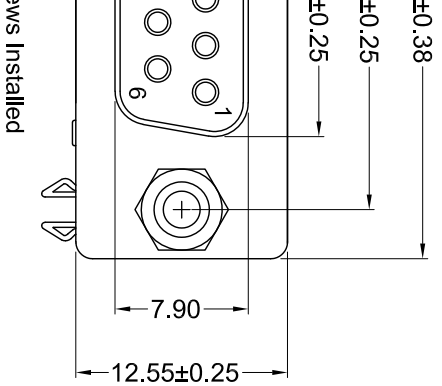




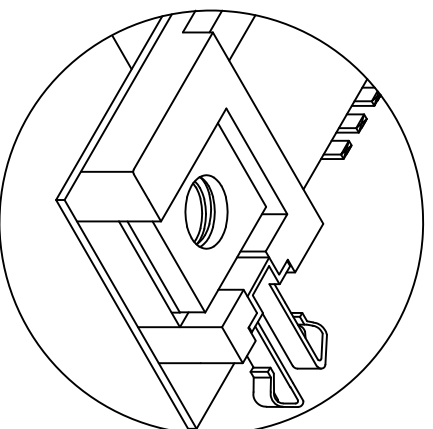
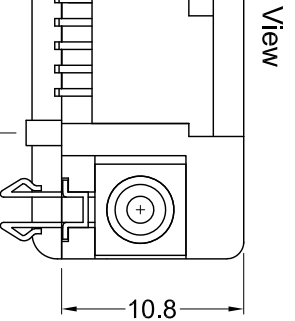
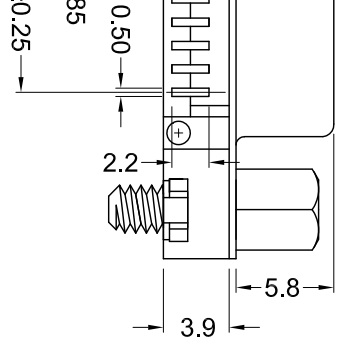
**THE DATASHEET OF
K202XHT-E9S-NJ**





Recommended PCB Layout
(component side)

Pin Number:
1 6 2 7 3 8 4 9 5



Fork Board Lock Type

Part Number	Contact Plating Option
K202XHT-E9S-NJ	Gold Flash (standard)
K202XHT-E9S-NJ15	15u" Gold (-15 option)
K202XHT-E9S-NJ30	30u" Gold (-30 option)

Mechanical Specifications
Operating Temperature:
-55°C to +105°C

Installed Hardware
Jackscrew: JSX-1055

Tolerances

XX ± 0.25
X.XX ± 0.15
Unless Stated
Otherwise

Material and Finish

Insulator: High Temperature Thermoplastic with Glass-fiber Reinforcement, UL 94V-0 Rated, Color: Black

Shell: Steel, Nickel Plated

Contact Material:
Socket - Phosphor Bronze

Contact Plating Options:
Standard: Gold Flash on Mating End, Tin on Termination End, Nickel Underplate on Entire Contact
15 Option: 15u" Gold on Mating End, Tin on Termination End, Nickel Underplate on Entire Contact
30 Option: 30u" Gold on Mating End, Tin on Termination End, Nickel Underplate on Entire Contact

Electrical Specifications

Rated Current: 2A
Rated Voltage: 30V RMS
Insulation Resistance: 1000 Megohms Min. at 500V DC
Contact Resistance: 13 milliohms Max.
Dielectric Withstanding Voltage: 1000V for 1 Minute

RoHS COMPLIANT
EU Directive 2002/95/EC



V. BY	CHK. BY	DRAWN BY	DATE
Aguirre	H. MA	R. Aguirre	07/24/06
LLH	H. MA		
Wien	H. MA		
Giri	P. DalCanto		
Serrano	D. Sierhan		

K202XHT-E9S-NJ

D-Sub, Right Angle, RoHS Compliant
Low Profile, 9 Pin Female, SMT, JS Installed



Looking for pricing, stock, or lifecycle information?

Click below to explore more details on WIN SOURCE:

 [View K202XHT-E9S-NJ on WIN SOURCE](#)

 [Kycon, Inc. Information](#)

Optimize Your Supply Chain with WIN SOURCE Solutions

-  Global Sourcing Solution
-  Obsolete Management
-  Cost Control Management
-  Shortage Management
-  Alternative Solution
-  Excess Inventory Management