

WIN*SOURCE*
ELECTRONICS

THE DATASHEET OF

09232326825

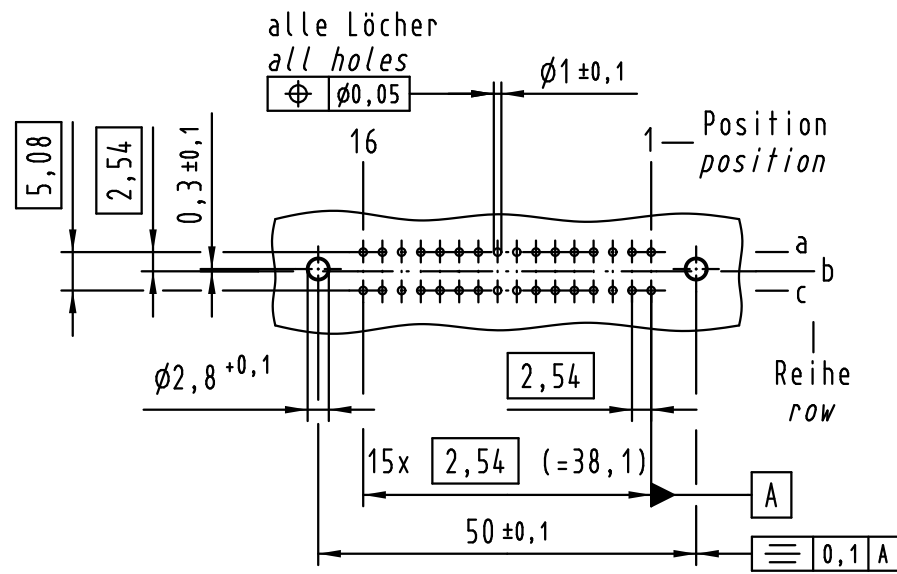
www.win-source.net



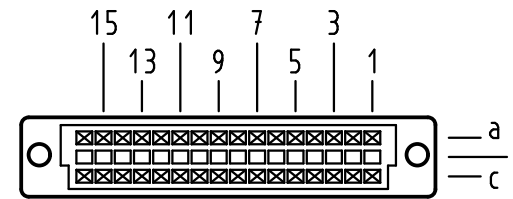
0086-755-83957316

Alle Rechte vorbehalten/ All rights reserved

X
Lochbild
board drillings

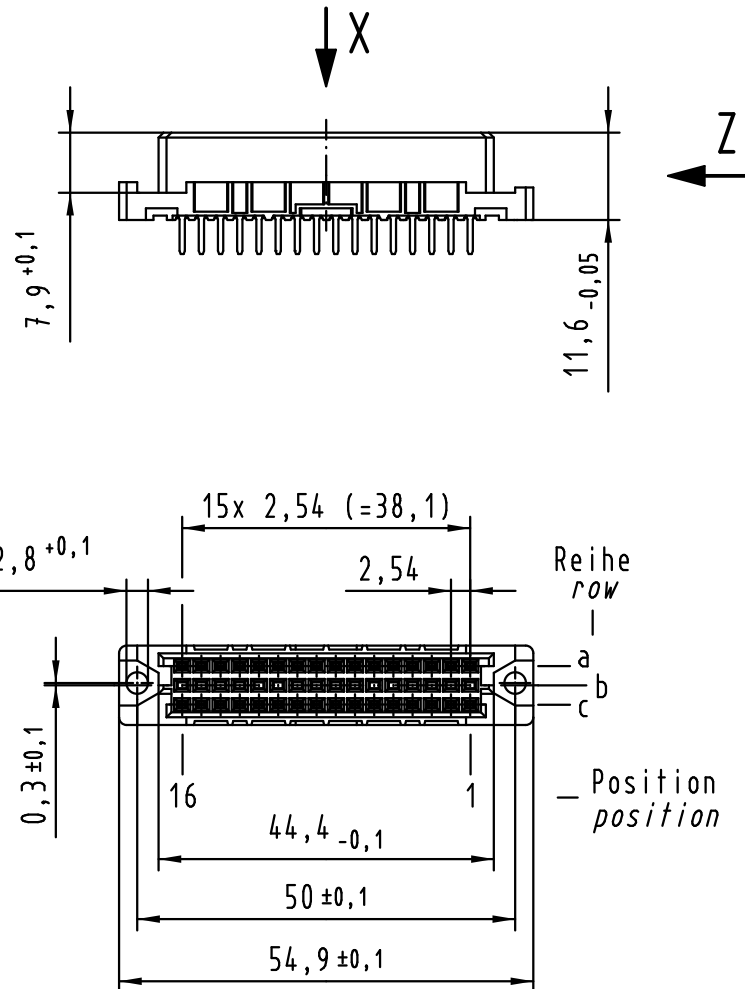


X
Kontaktanordnung
contact arrangement

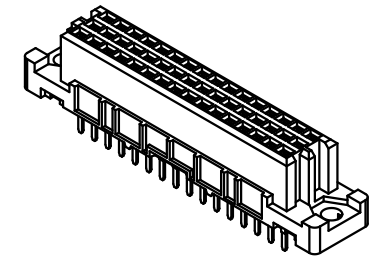
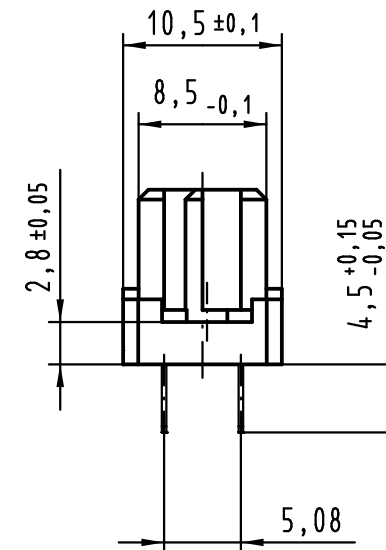


32 Einlöt Kontakte
32 solder contacts

- ☒ = Einlöt Kontakt
= solder contact
- ☐ = Kontaktposition nicht belegt
= position without contact



Z (2:1)



① weitere Informationen siehe: DS 09 03 210 00 01
further information see: DS 09 03 210 00 01

09 23 232 7825	3
09 23 232 6825	2
Bestell-Nr. part-no.	Anforderungsstufe performance level ①

All Dimensions in mm Original Size DIN A 3			Techn. Character.			Nicht tolerierte Maß/Free size tolerances IEC 60603-2	
Mod.	Dat.	Name		Dat.	Name	Maßstab/Scale 1:1	har-bus 2C Federleiste Einlöt 4,5 , 32-polig har-bus 2C female connector solder 4.5 , 32-pole
36417	18.07.11	Hage.	Detail.	27.01.00	Rie.		
34306	30.11.07	LehT	Insp.	27.01.00	Pa.		
32216	16.12.04	Ge.	Stand.				
30232	08.02.02	Rie.					
27550							
HARTING Electronics GmbH & Co. KG D-32339 ESPELKAMP						Sub.	Blatt/ page

Looking for pricing, stock, or lifecycle information?

Click below to explore more details on WIN SOURCE:

[View 09232326825 on WIN SOURCE](#)

[HARTING](#) Information

Optimize Your Supply Chain with WIN SOURCE Solutions

- ✓ Global Sourcing Solution
- ✓ Obsolete Management
- ✓ Cost Control Management
- ✓ Shortage Management
- ✓ Alternative Solution
- ✓ Excess Inventory Management