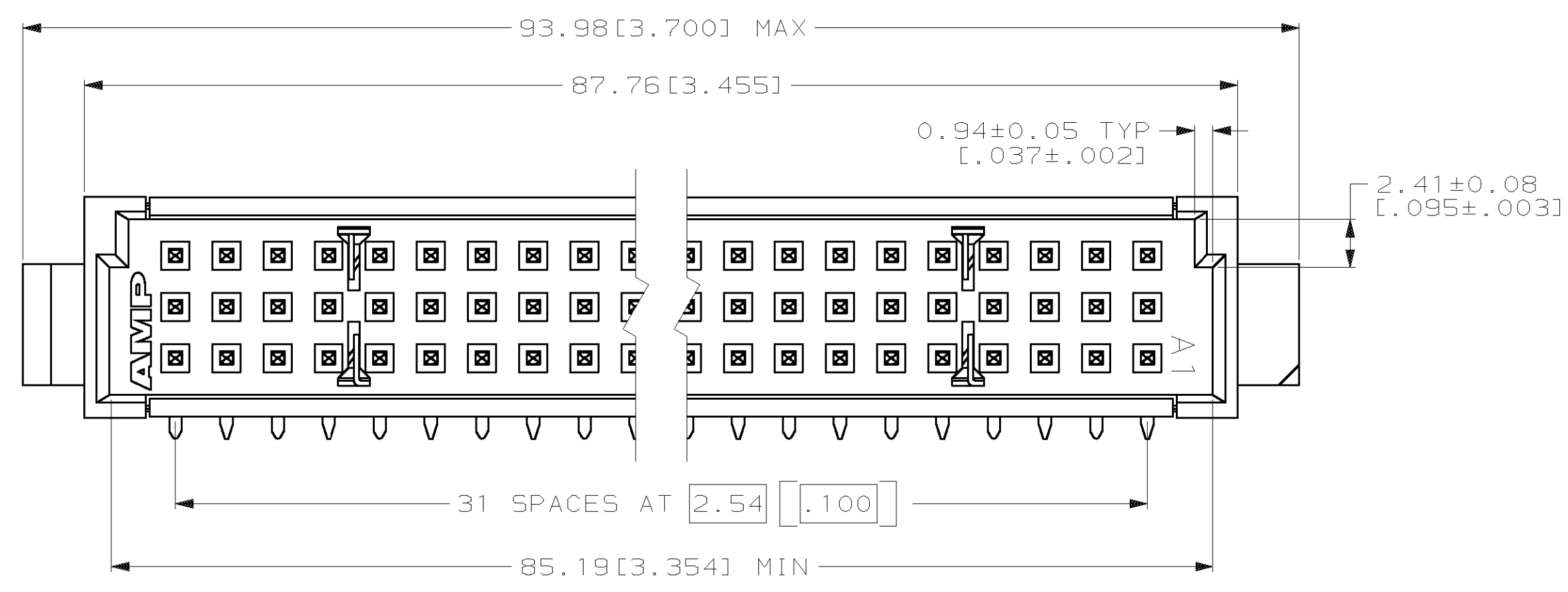
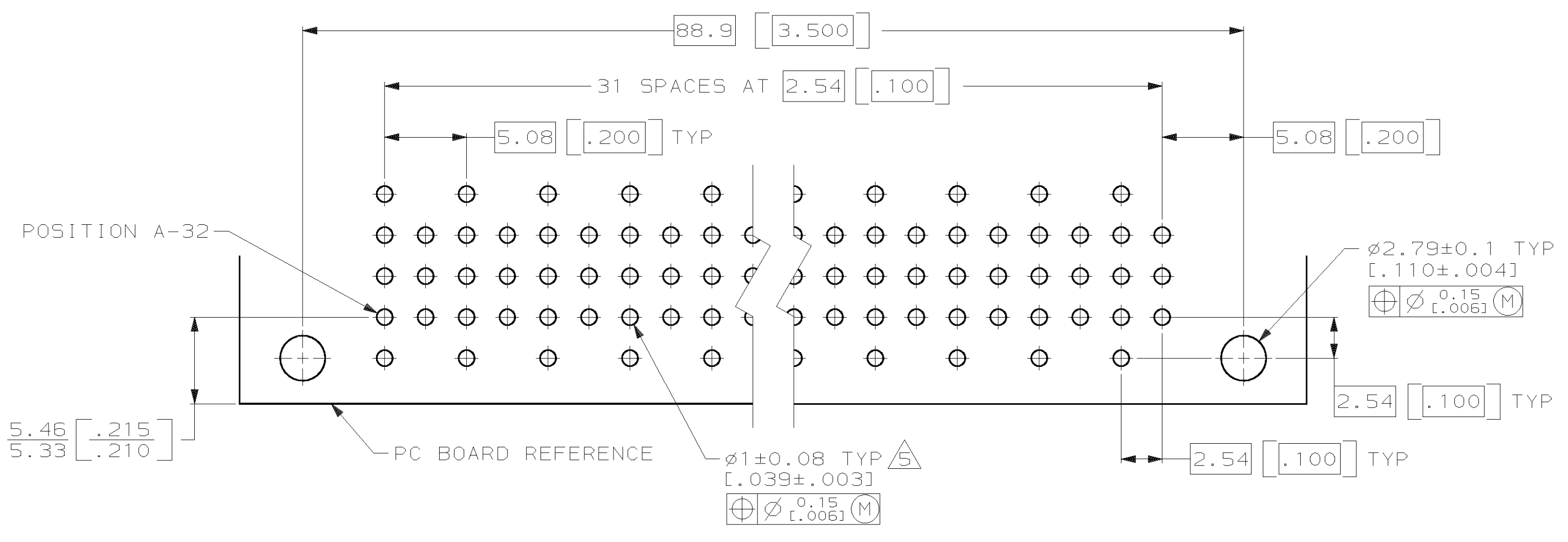
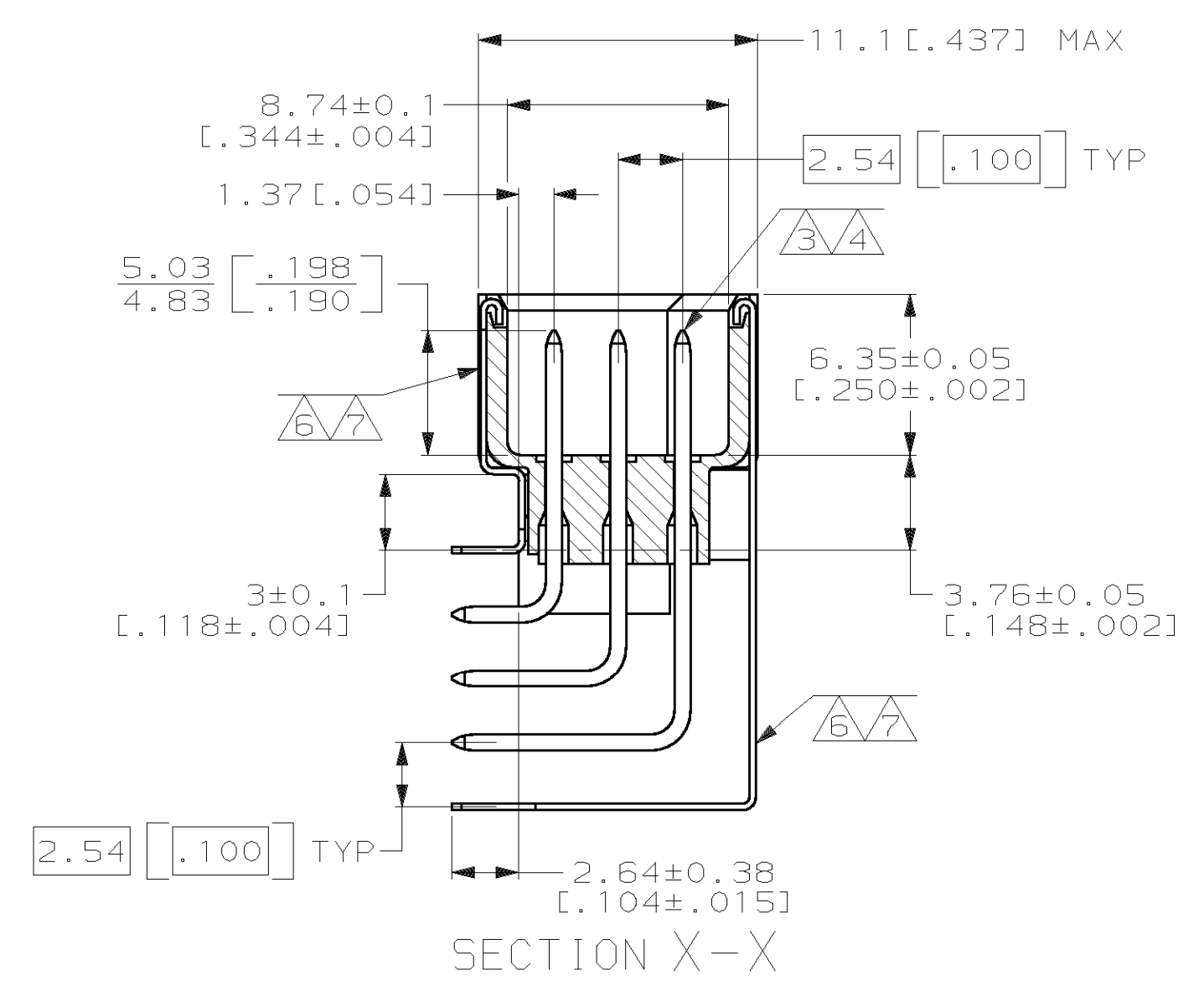
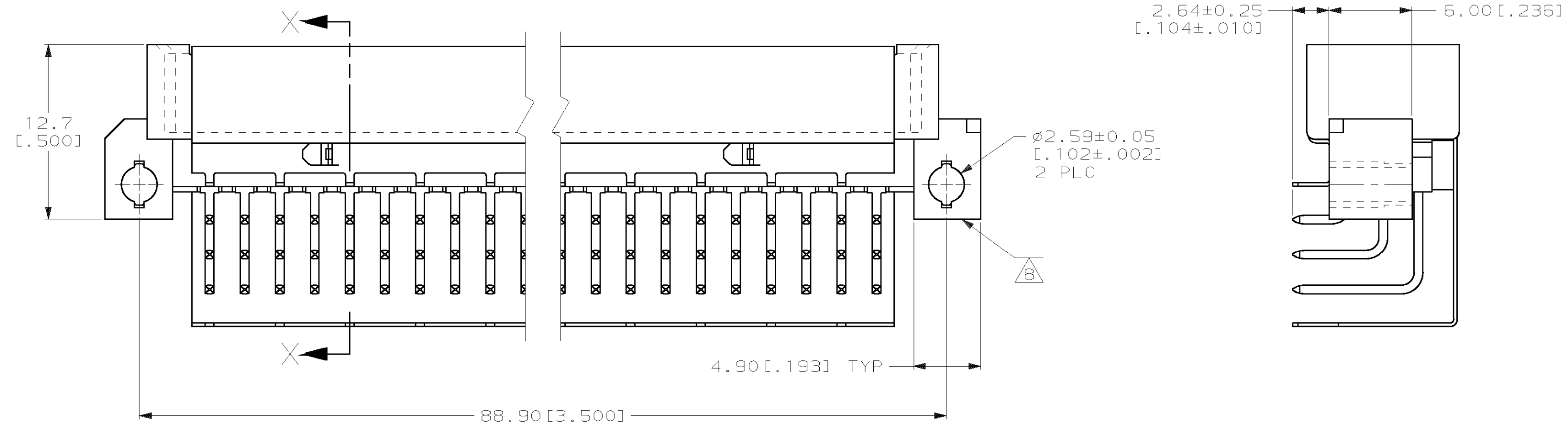


REVISONS		DATE	APPD
AD	25	8/8/97	RAP
		18 AUG 99	CR



- △ HOUSING MATERIAL: HIGH TEMPERATURE GLASS-FILLED POLYESTER. COLOR: GRAY.
- △ POST AND GROUND PLATE MATERIAL: BRASS.
- △ POST FINISH: DIN 41612 CLASS 2 IN CONTACT AREA. TIN-LEAD PLATE ON POSTS.
- △ POST FINISH: DIN 41612 CLASS 3 IN CONTACT AREA. TIN-LEAD PLATE ON POSTS.
- △ RECOMMENDED HOLE SIZE FOR MANUAL APPLICATION OF CONNECTOR ONTO PC BOARD.
- △ GROUND PLATE FINISH: DIN 41612 CLASS 2 IN CONTACT AREA. TIN-LEAD PLATE ON POSTS.
- △ GROUND PLATE FINISH: DIN 41612 CLASS 3 IN CONTACT AREA. TIN-LEAD PLATE ON POSTS.
- △ MOLD REVISION DATE CODE MOLDED IN THIS AREA.




△△	650987-9
△△	650987-5
FINISH	ASSY PART NUMBER

PART NO		NAME	
DO NOT SCALE PRINT. UNLESS SPECIFIED DIMENSIONS IN mm [INCHES] TOLERANCES ON:	DR L. BRINER 2/2/92	AMP Incorporated Harrisburg, PA 17105-3508	
1 PLC DEC ± -	CHK D.C. RUBENDALL 2/11/92		
2 PLC DEC ± 0.13 [.005]	APPD D.C. RUBENDALL 2/11/92	PIN ASSEMBLY, ENHANCED EUROCARD WITH TWO EXTERNAL PLATES	
ANGLES ± -	APPD K.R. PARMER 2/11/92	PRODUCT SPEC	
MATERIAL	APPD	SIZE D	CAGE CODE 00779
HSG: △ -	APPLICATION SPEC	DRAWING NO	650987
POST: △		SCALE	4:1
FINISH		SHEET	1 OF 1
POST: △△			
GROUND PLATE: △△			

Looking for pricing, stock, or lifecycle information?

Click below to explore more details on WIN SOURCE:

 [View 650987-5 on WIN SOURCE](#)

 [TE Connectivity](#) Information

Optimize Your Supply Chain with WIN SOURCE Solutions

-  Global Sourcing Solution
-  Obsolete Management
-  Cost Control Management
-  Shortage Management
-  Alternative Solution
-  Excess Inventory Management