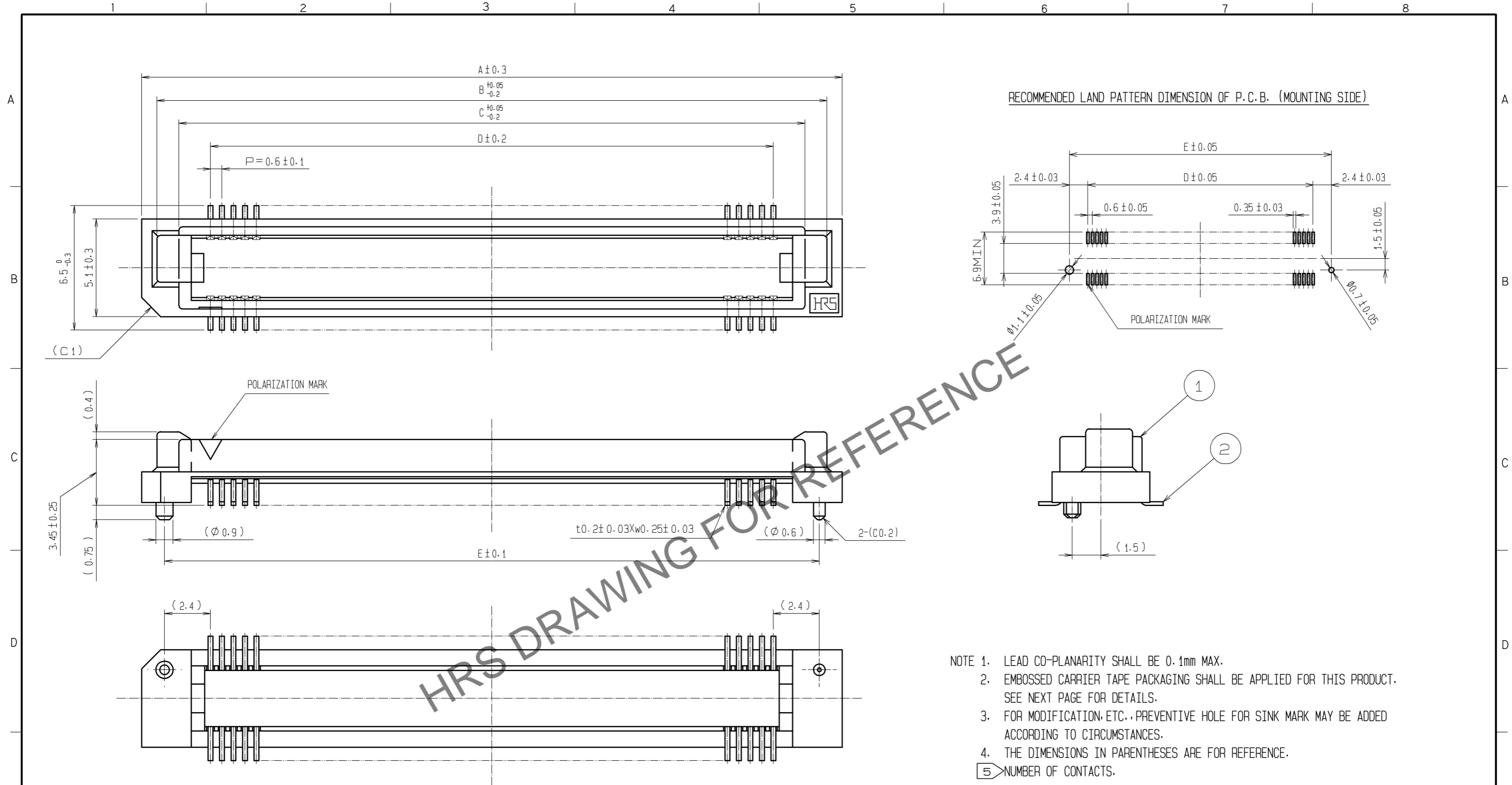




**THE DATASHEET OF
FX8-80P-SV1(92)**



Jul.1.2024 Copyright 2024 HIROSE ELECTRIC CO., LTD. All Rights Reserved.
 In case of consideration for using Automotive equipment / device which demand high reliability, kindly contact our sales window correspondents.



- NOTE 1. LEAD CO-PLANARITY SHALL BE 0.1mm MAX.
 2. EMBOSSED CARRIER TAPE PACKAGING SHALL BE APPLIED FOR THIS PRODUCT. SEE NEXT PAGE FOR DETAILS.
 3. FOR MODIFICATION, ETC., PREVENTIVE HOLE FOR SINK MARK MAY BE ADDED ACCORDING TO CIRCUMSTANCES.
 4. THE DIMENSIONS IN PARENTHESES ARE FOR REFERENCE.
 5. NUMBER OF CONTACTS.

DIMENSION TABLE OF CONNECTOR AND P.C.B. LAND PATTERN.

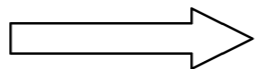
PART No.	CODE No.	5	A	B	C	D	E
FX8-60P-SV1(92)	CL578-0041-0-92	60	24.6	23	20.7	17.4	22.2
FX8-80P-SV1(92)	CL578-0043-6-92	80	30.6	29	26.7	23.4	28.2
FX8-90P-SV1(92)	CL578-0044-9-92	90	33.6	32	29.7	26.4	31.2
FX8-100P-SV1(92)	CL578-0045-1-92	100	36.6	35	32.7	29.4	34.2
FX8-120P-SV1(92)	CL578-0046-4-92	120	42.6	41	38.7	35.4	40.2
FX8-140P-SV1(92)	CL578-0047-7-92	140	48.6	47	44.7	41.4	46.2

4	POLYESTER	(TOP COVER TAPE)	2	PHOSPHOR BRONZE	CONTACT AREA:GOLD 0.1μm min.				
3	POLYSTYRENE	(EMBOSSED CARRIER TAPE)			LEAD AREA:TIN-PLATING 1μm min.				
1	PPS	LIGHT BROWN(UL94V-0)			UNDER PLATING:NICKEL1μm min.				
NO.	MATERIAL	FINISH . REMARKS	NO.	MATERIAL	FINISH . REMARKS				
UNITS	mm	SCALE	FREE	COUNT	2	DESCRIPTION OF REVISIONS	DESIGNED	CHECKED	DATE
				DIS-F-006743		CR. TAKESHIMA		HT. YAMAGUCHI	
APPROVED :KJ. KATAYOSE		05.01.05		DRAWING NO.		EDC3-150727-22			
CHECKED :HS. OKAWA		05.01.05		PART NO.		FX8-*P-SV1(92)			
DESIGNED :KT. DOI		05.01.05		CODE NO.					
DRAWN :KT. DOI		05.01.05							

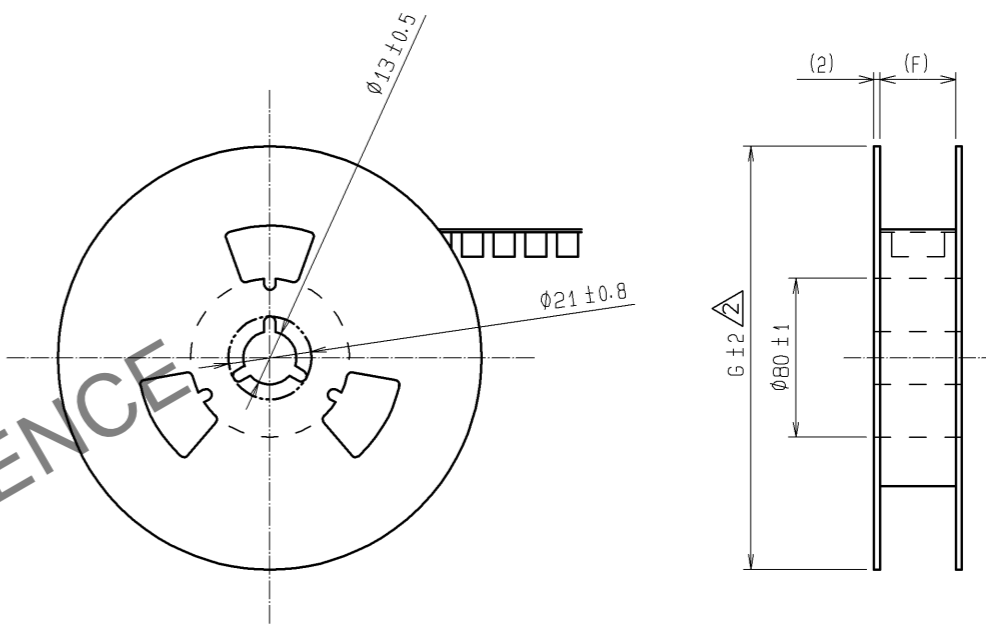
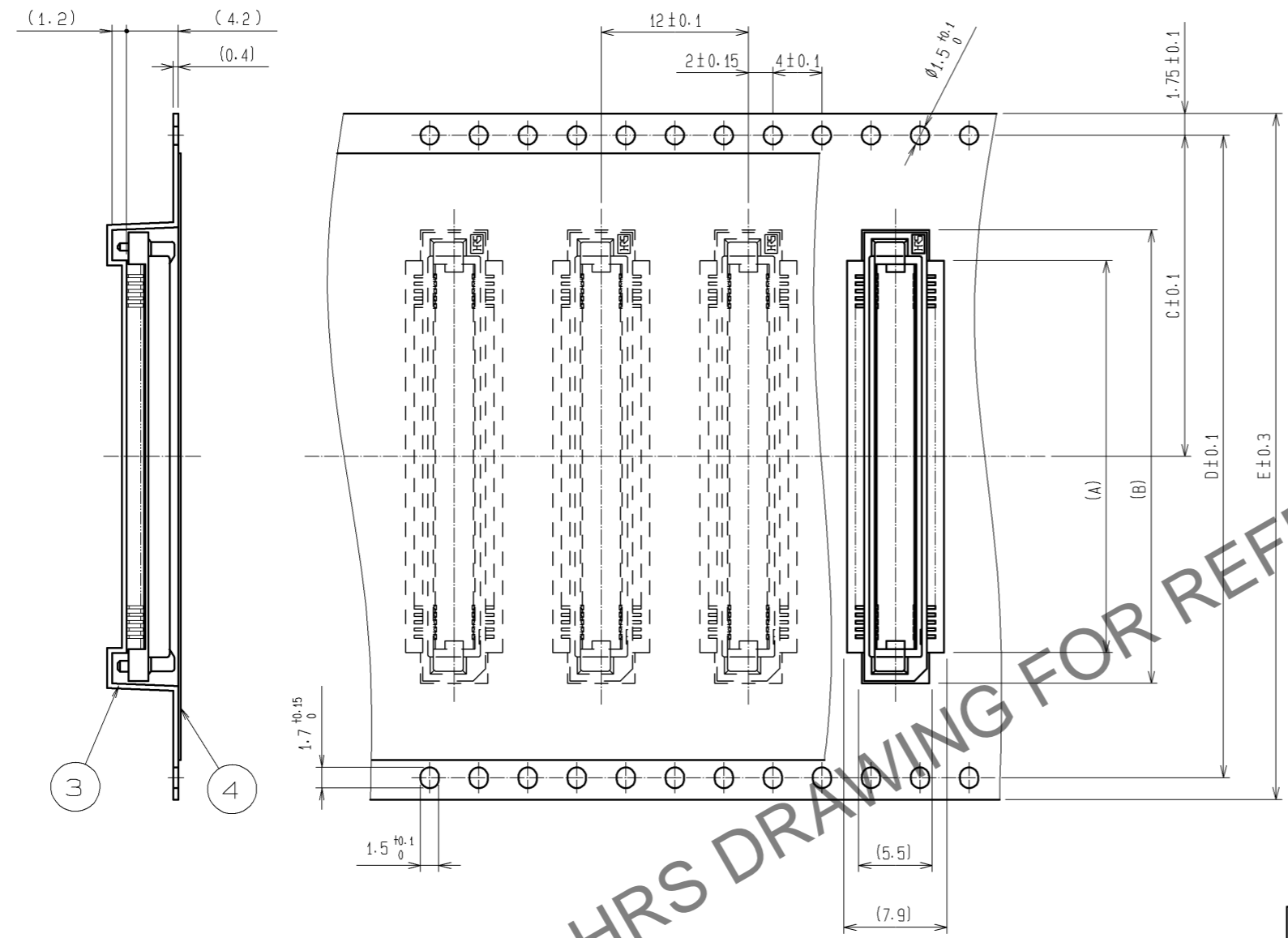
Jul.1.2024 Copyright 2024 HIROSE ELECTRIC CO., LTD. All Rights Reserved.
 In case of consideration for using Automotive equipment / device which demand high reliability, kindly contact our sales window correspondents.

DRAWING FOR PACKING(FREE)

UNREELING DIRECTION



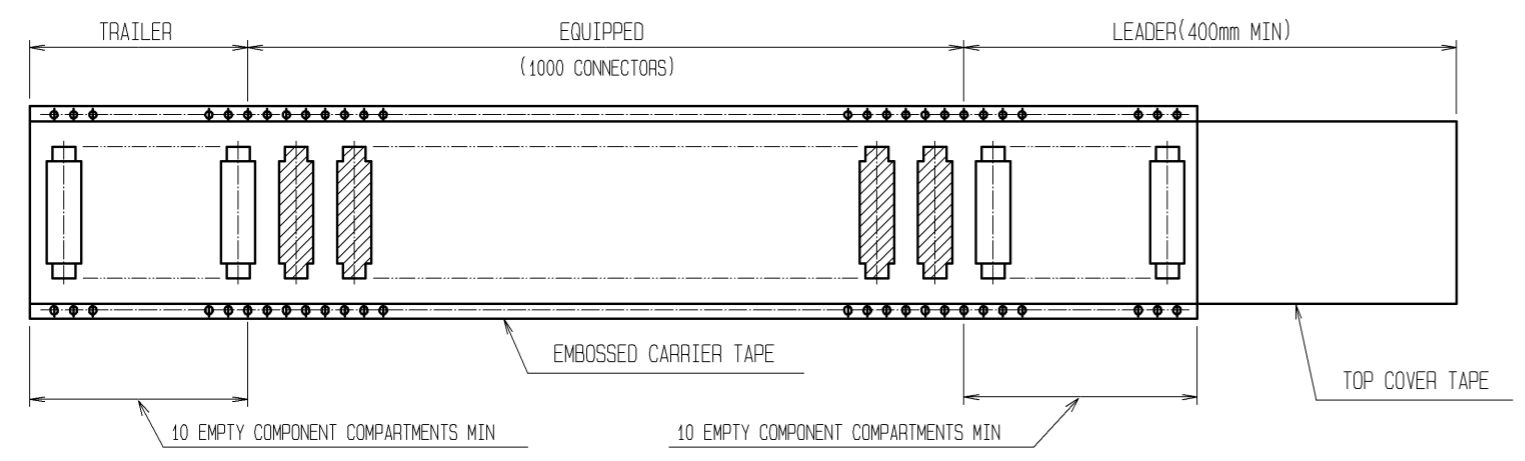
REEL DIMENSION



△ DIMENSION TABLE OF EMBOSSED CARRIER TAPE AND REEL.

PART No.	CODE No.	②	A	B	C	D	E	F	G
FX8- 60P-SV1(92)	CL578-0041-0-92	60	20	25	20.2	40.4	44	44.4	Ø330
FX8- 80P-SV1(92)	CL578-0043-6-92	80	25	31	20.2	40.4	44	44.4	Ø330
FX8- 90P-SV1(92)	CL578-0044-9-92	90	29	34	20.2	40.4	44	44.4	Ø330
FX8-100P-SV1(92)	CL578-0045-1-92	100	32	37	26.2	52.4	56	56.4	Ø360
FX8-120P-SV1(92)	CL578-0046-4-92	120	38	43	26.2	52.4	56	56.4	Ø360
FX8-140P-SV1(92)	CL578-0047-7-92	140	44	49	34.2	68.4	72	72.4	Ø360

- NOTE 1 1 REEL : 1000 CONNECTORS
 ② NUMBER OF CONTACTS
 3 THE DIMENSIONS IN PARENTHESES ARE FOR REFERENCE.



HRS	DRAWING NO.	EDC3-150727-22
	PART NO.	FX8- * P - SV1(92)
	CODE NO.	

②/2

Looking for pricing, stock, or lifecycle information?

Click below to explore more details on WIN SOURCE:

- ⊖ [View FX8-80P-SV1\(92\) on WIN SOURCE](#)
- ⊖ [Hirose Electric Co Ltd Information](#)

Optimize Your Supply Chain with WIN SOURCE Solutions

- ✓ Global Sourcing Solution
- ✓ Obsolete Management
- ✓ Cost Control Management
- ✓ Shortage Management
- ✓ Alternative Solution
- ✓ Excess Inventory Management