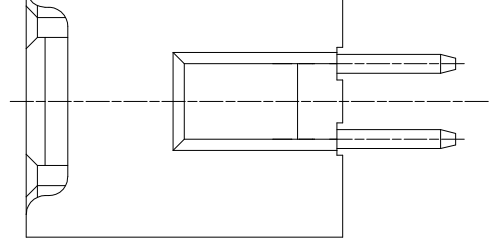
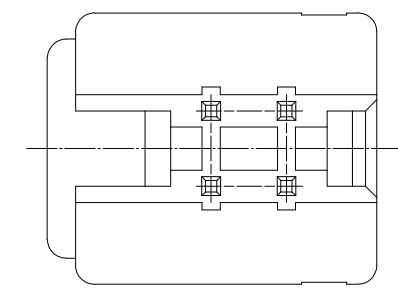
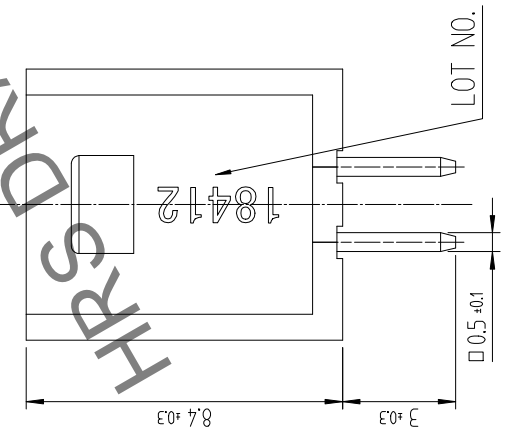
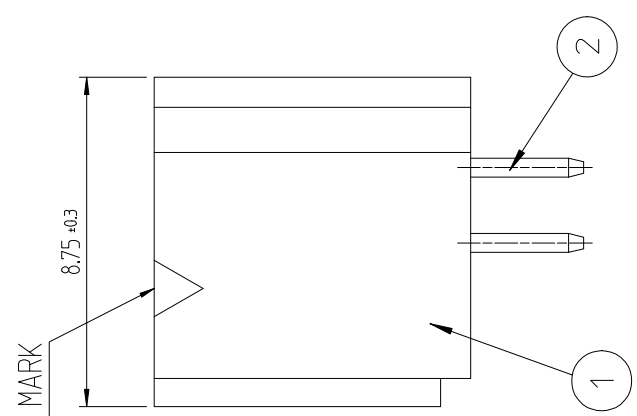
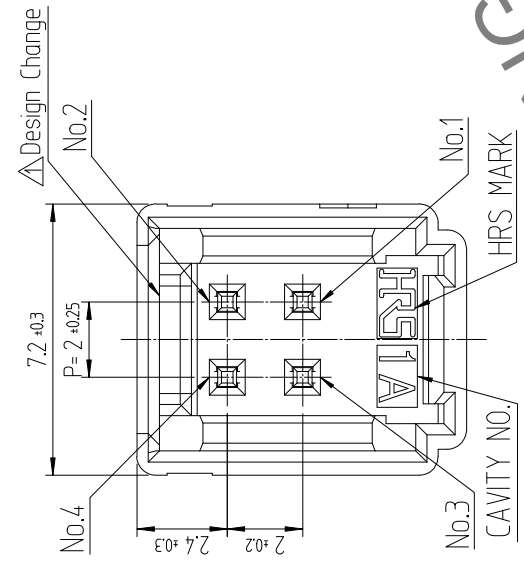




**THE DATASHEET OF
DF51K-4DP-2DSA(800)**



△	數	訂正事項	檢
△	COUNT	DESCRIPTION OF REVISIONS	SB
△	1	RE-6-1150	K.L.
△	2	RE-6-1579	K.L.
△			



DF51K-4DS-2C

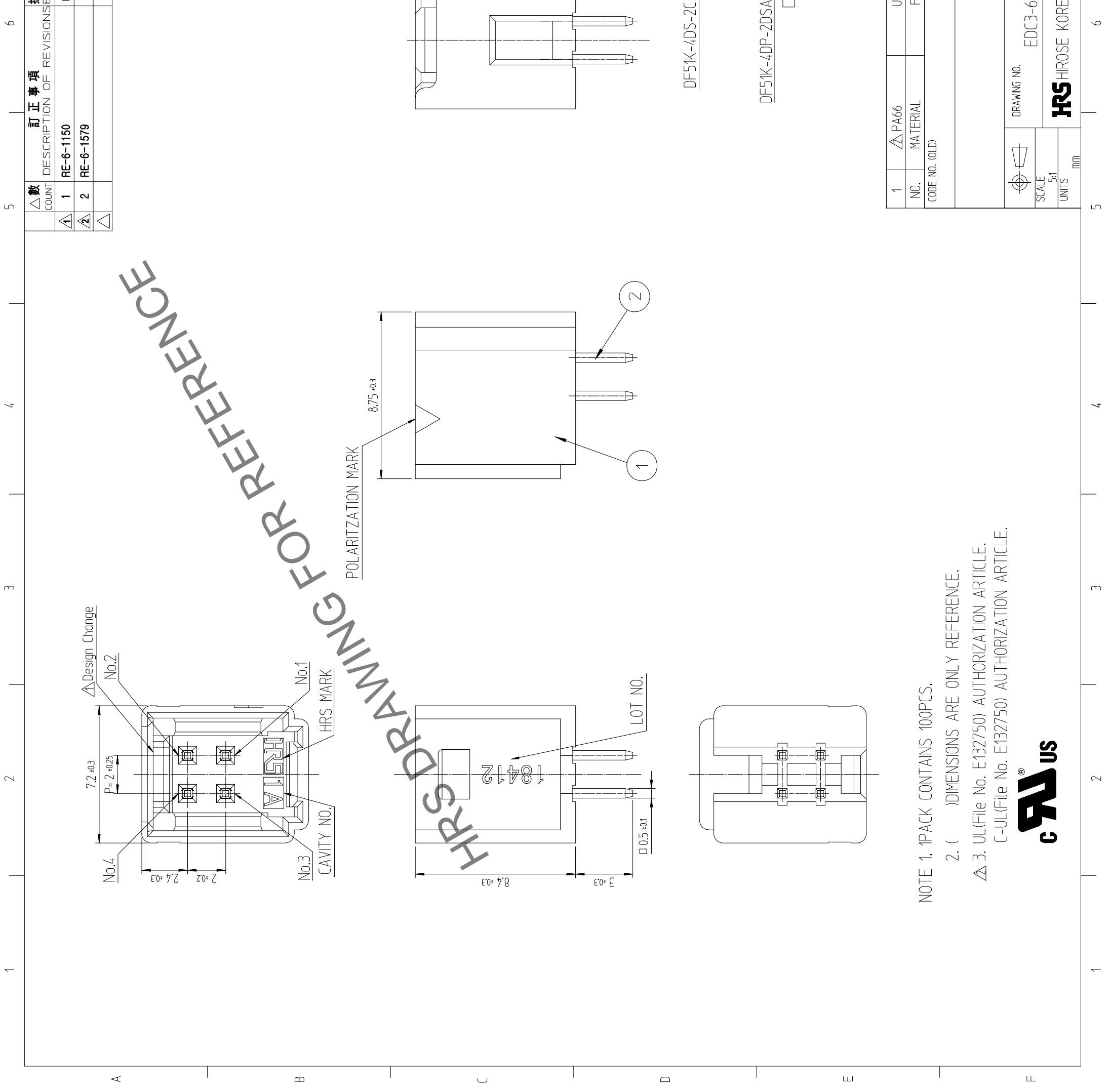
DF51K-4DP-2DSA

- NOTE 1. 1PACK CONTAINS 100PCS.
2. () DIMENSIONS ARE ONLY REFERENCE.
- △ 3. UL(File No. E132750) AUTHORIZATION ARTICLE.
 C-UL(File No. E132750) AUTHORIZATION ARTICLE.



1	△	PA66	UL9
NO.	MATERIAL	FIN	
CODE NO. (OLD)			
DRAWING NO. EDC3-632			
SCALE	5:1		
UNITS	mm		
HRS HIROSE KOREA			

HRS DRAWING FOR REFERENCE



Looking for pricing, stock, or lifecycle information?

Click below to explore more details on WIN SOURCE:

[View DF51K-4DP-2DSA\(800\) on WIN SOURCE](#)

[Hirose Electric Co Ltd Information](#)

Optimize Your Supply Chain with WIN SOURCE Solutions

- ✓ Global Sourcing Solution
- ✓ Obsolete Management
- ✓ Cost Control Management
- ✓ Shortage Management
- ✓ Alternative Solution
- ✓ Excess Inventory Management