



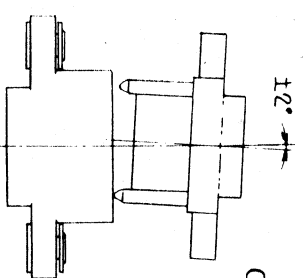
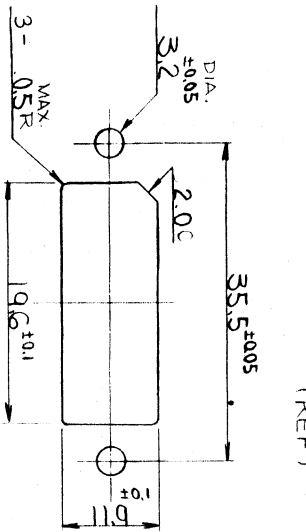
**THE DATASHEET OF
DR-12-2PC-F0**



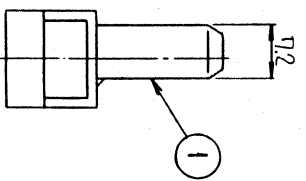
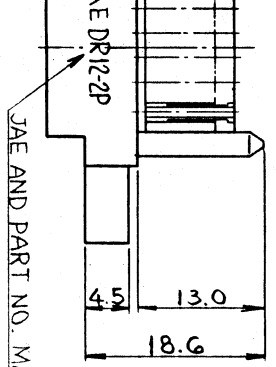
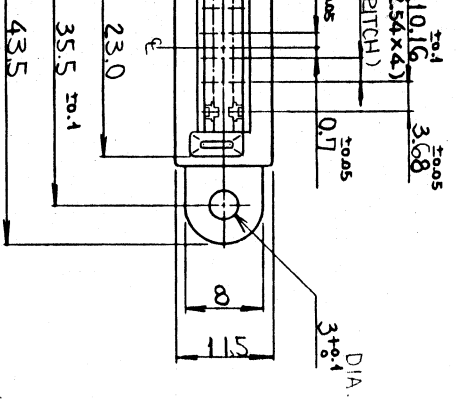
SYM	DCM NO	DESCRIPTION	DATE	DRAWN	CHECKED	APP'D	APP'D
-----	--------	-------------	------	-------	---------	-------	-------

Mounting Panel Cutout Dimensions (REF)

Allowable Mating Angle

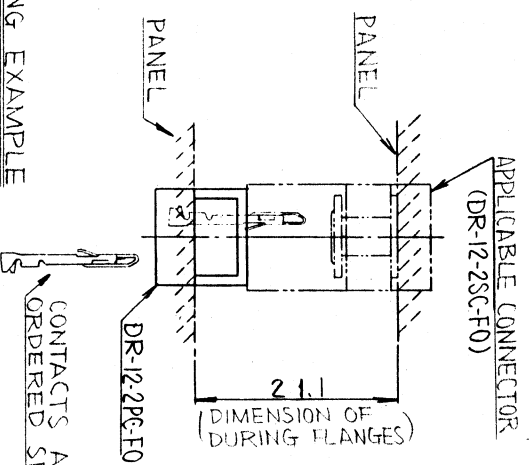


OCT.-2'89

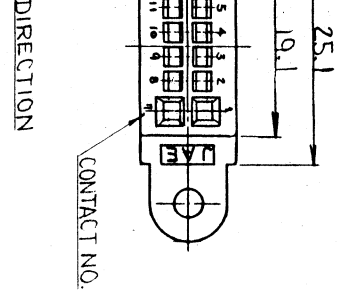


MATING EXAMPLE

CONTACTS ARE ORDERED SEPARATELY



FILED
JUL 30 2002
DOCUMENT CONTROL



UNLESS OTHERWISE SPECIFIED		
DIMENSIONS ARE IN INCHES		
FRACTIONS	DECIMALS	ANGLES
10/8 ±0.4 ±0.1	.x .x .x	31d
TREATMENT OR FINISH		

DATE	DRAWN	CHECKED	APP'D
MAY 7 1987	Y. HAYASHI	Y. HAYASHI	Y. HAYASHI

ITEM	DESCRIPTION	QTY	MATERIAL	FINISH	REMARK
1	INSULATOR	1	GLASS FILLED PBT		Q4V-0 COLOR:BLACK

TITLE	DR-12-2PC-F0
SCALE	1/2
DWG SIZE	B WT
DWG NO	SU021041-E
SHEET	

JAPAN AVIATION ELECTRONICS
IND. CO. LTD.
FACTORY
NAGAMICHO, ANSHIMA-SHI
TORYO, JAPAN

1-2-10-2

Looking for pricing, stock, or lifecycle information?

Click below to explore more details on WIN SOURCE:

 [View DR-12-2PC-F0](#) on WIN SOURCE

 [JAE Electronics](#) Information

Optimize Your Supply Chain with WIN SOURCE Solutions

-  Global Sourcing Solution
-  Obsolete Management
-  Cost Control Management
-  Shortage Management
-  Alternative Solution
-  Excess Inventory Management