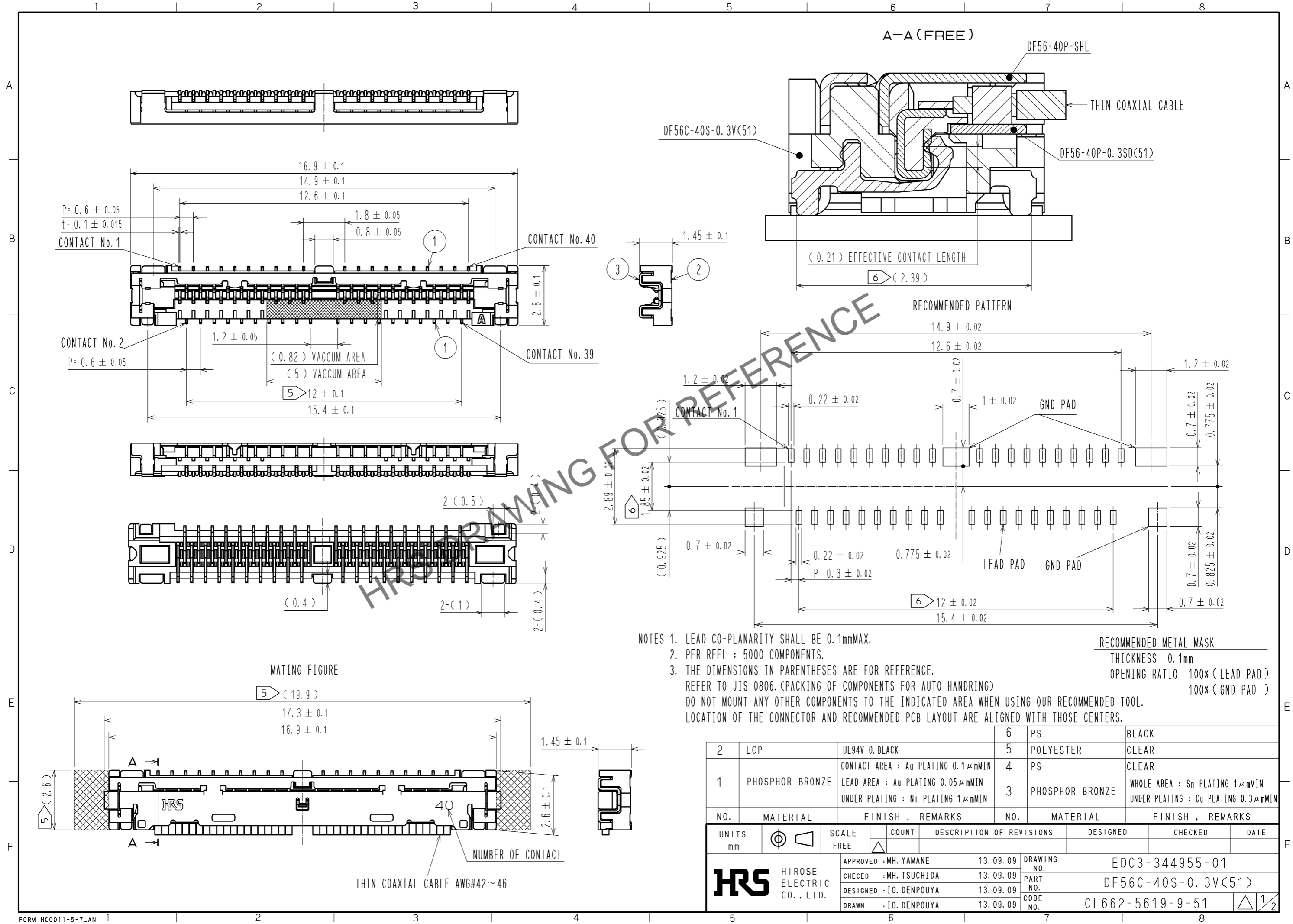




**THE DATASHEET OF
DF56C-40S-0.3V(51)**



Jul.1.2024 Copyright 2024 HIROSE ELECTRIC CO., LTD. All Rights Reserved.
In case of consideration for using Automotive equipment / device which demand high reliability, kindly contact our sales window correspondents.

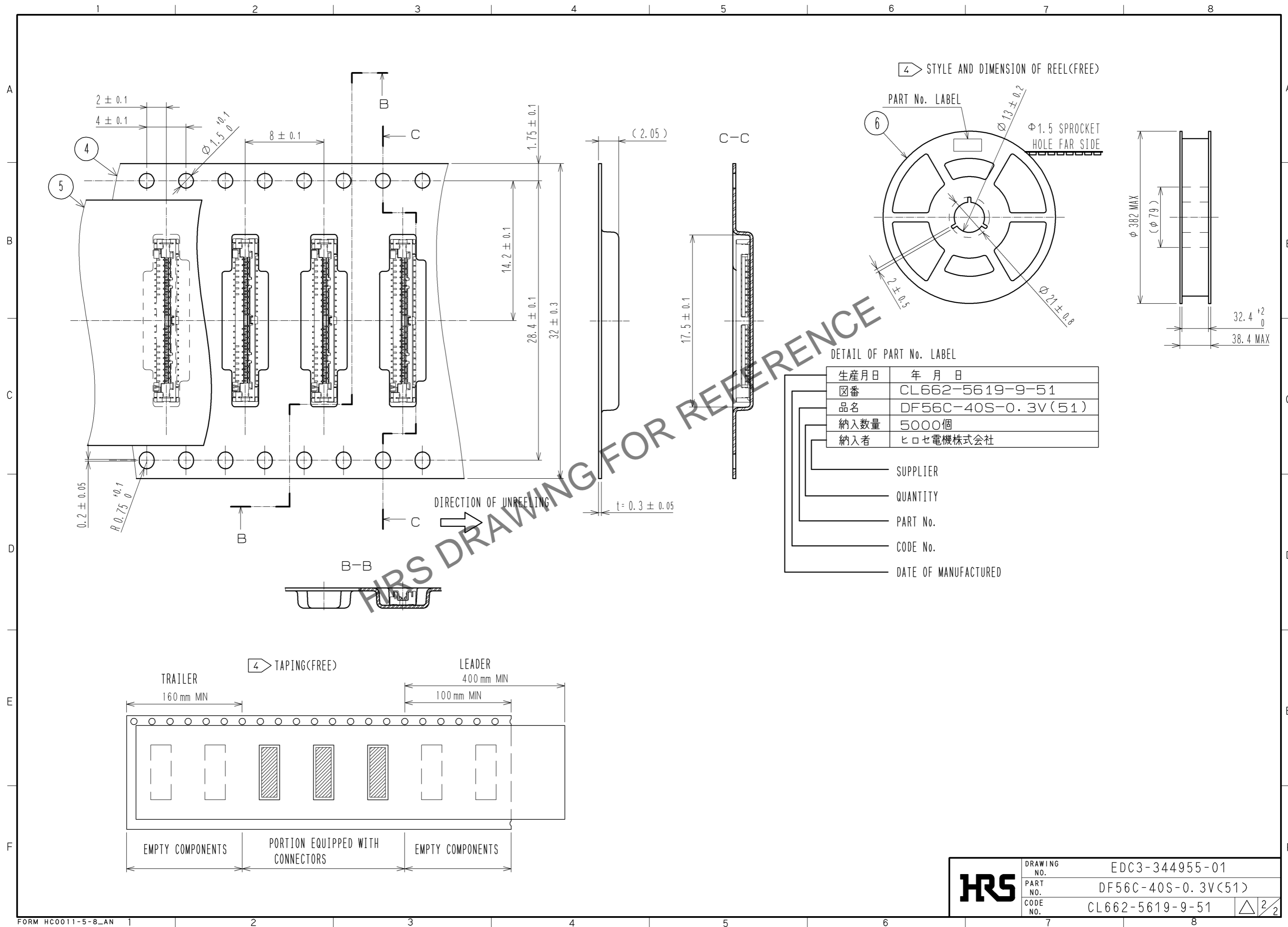


- NOTES 1. LEAD CO-PLANARITY SHALL BE 0.1mmMAX.
 2. PER REEL : 5000 COMPONENTS.
 3. THE DIMENSIONS IN PARENTHESES ARE FOR REFERENCE.
 REFER TO JIS 0806. (PACKING OF COMPONENTS FOR AUTO HANDRING)
 DO NOT MOUNT ANY OTHER COMPONENTS TO THE INDICATED AREA WHEN USING OUR RECOMMENDED TOOL.
 LOCATION OF THE CONNECTOR AND RECOMMENDED PCB LAYOUT ARE ALIGNED WITH THOSE CENTERS.

RECOMMENDED METAL MASK
 THICKNESS 0.1mm
 OPENING RATIO 100% (LEAD PAD)
 100% (GND PAD)

2	LCP	UL94V-0. BLACK	6	PS	BLACK
1	PHOSPHOR BRONZE	CONTACT AREA : Au PLATING 0.1μmMIN	5	POLYESTER	CLEAR
		LEAD AREA : Au PLATING 0.05μmMIN UNDER PLATING : Ni PLATING 1μmMIN	4	PS	CLEAR
			3	PHOSPHOR BRONZE	WHOLE AREA : Sn PLATING 1μmMIN UNDER PLATING : Cu PLATING 0.3μmMIN
NO.	MATERIAL	FINISH . REMARKS	NO.	MATERIAL	FINISH . REMARKS
UNITS mm		SCALE FREE	COUNT 	DESCRIPTION OF REVISIONS	
		APPROVED : MH. YAMANE	13.09.09	DRAWING NO. EDC3-344955-01	
HIROSE ELECTRIC CO., LTD.		CHECED : MH. TSUCHIDA	13.09.09	PART NO. DF56C-40S-0.3V(51)	
		DESIGNED : IO. DENPOUYA	13.09.09	CODE NO. CL662-5619-9-51	
		DRAWN : IO. DENPOUYA	13.09.09	DATE	



Jul.1.2024 Copyright 2024 HIROSE ELECTRIC CO., LTD. All Rights Reserved.
 In case of consideration for using Automotive equipment / device which demand high reliability, kindly contact our sales window correspondents.



HRS	DRAWING NO.	EDC3-344955-01	2/2
	PART NO.	DF56C-40S-0.3V(51)	
	CODE NO.	CL662-5619-9-51	

Looking for pricing, stock, or lifecycle information?

Click below to explore more details on WIN SOURCE:

-  [View DF56C-40S-0.3V\(51\) on WIN SOURCE](#)
-  [Hirose Electric Co Ltd Information](#)

Optimize Your Supply Chain with WIN SOURCE Solutions

-  Global Sourcing Solution
-  Obsolete Management
-  Cost Control Management
-  Shortage Management
-  Alternative Solution
-  Excess Inventory Management