

WIN**SOURCE**
ELECTRONICS

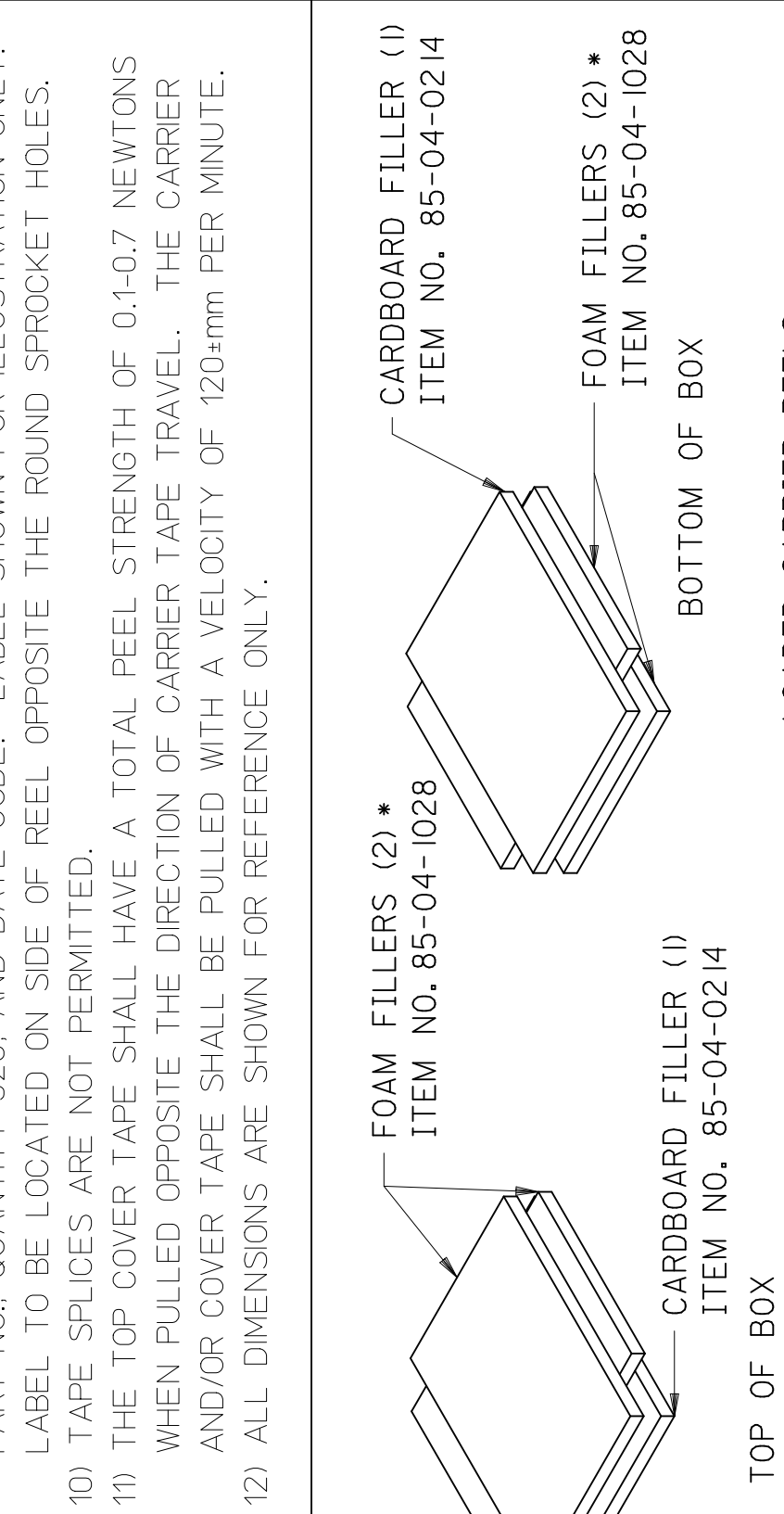
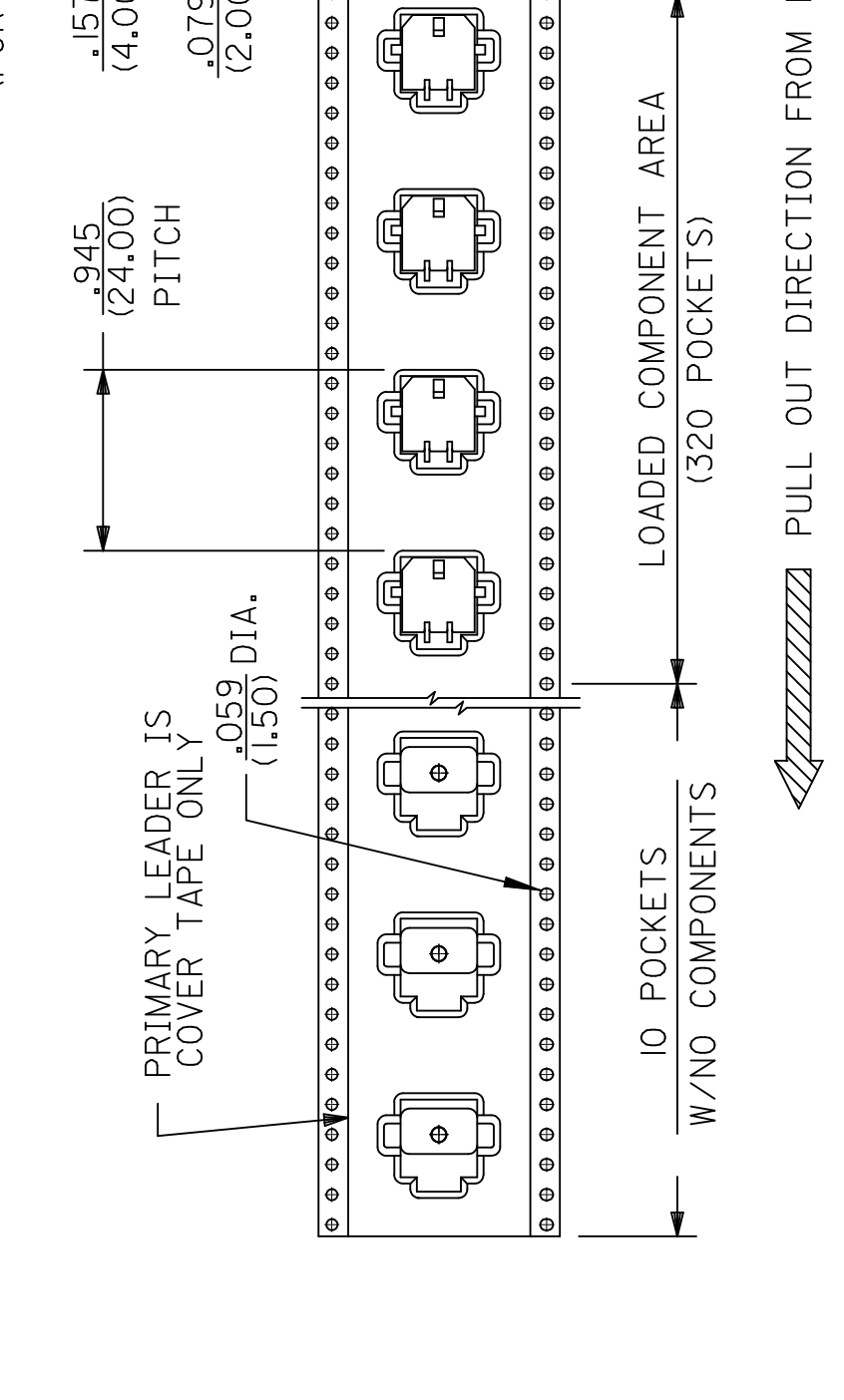
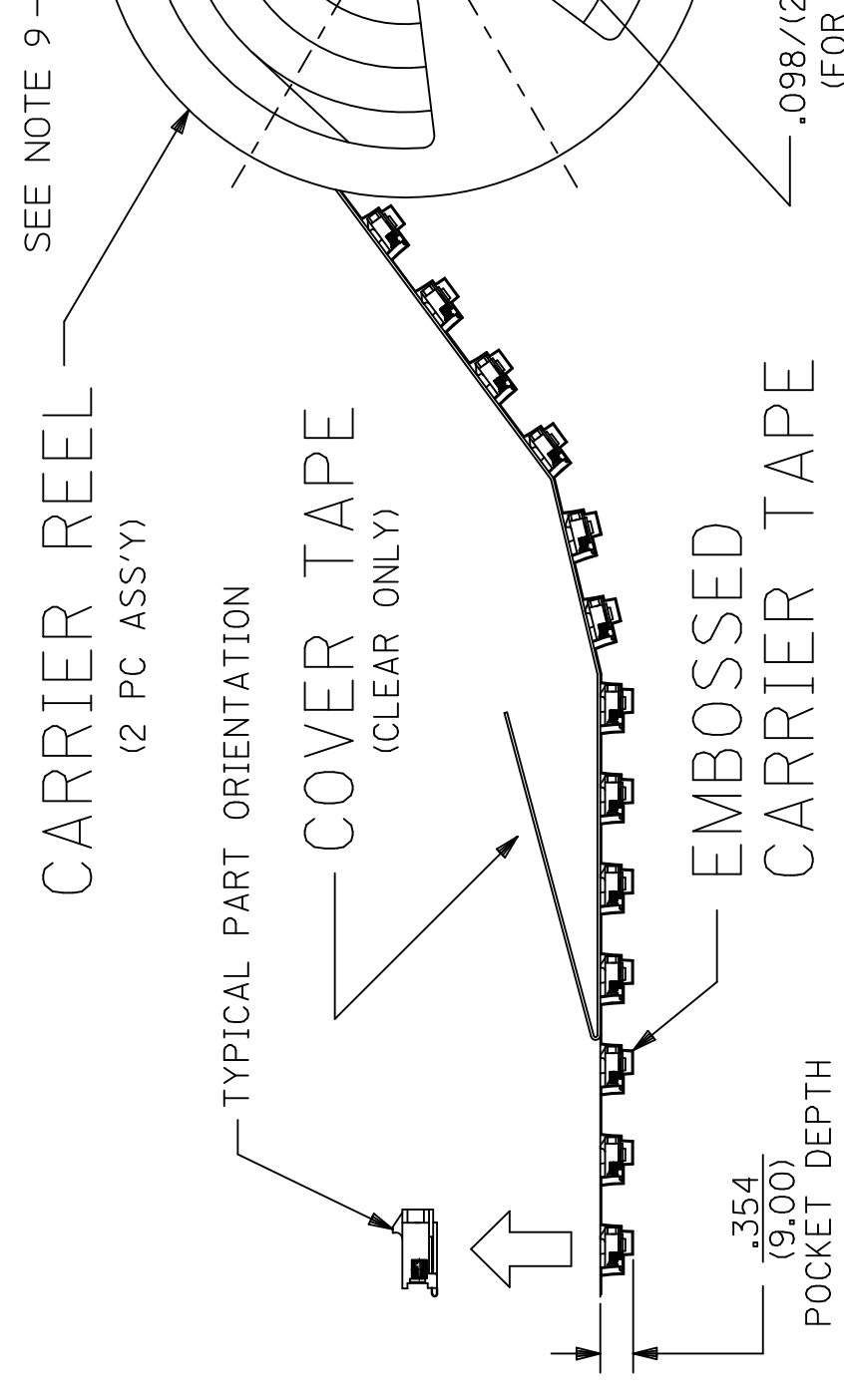
THE DATASHEET OF
0436500225



PACKAGING ITEM NO.	ASSEMBLY ITEM NO.	EMBOSSED TAPE ITEM NO.	CKT. SIZE	PARTS PER REEL	CARTON PART #	REELS/CARTON	SPQ	COVER TAPE ITEM NO.	CARRIER HALF/REEL ITEM NO.	CARRIER HALF/REEL ITEM NO.
70873-0702	43650-02**	70180-3002	2	320	70180-0371	9	2880	43655-0001	70180-6501	70180-6501
70873-0703	43650-03**	70180-3003	3	320	70180-0371	9	2880	43655-0001	70180-6501	70180-6501
70873-0704	43650-04**	70180-3004	4	320	70180-0371	7	2240	43655-0002	70180-6501	70180-6502
70873-0705	43650-05**	70180-3005	5	320	70180-0371	7	2240	43655-0002	70180-6501	70180-6502
70873-0706	43650-06**	70180-3006	6	320	70180-0371	7	2240	43655-0002	70180-6501	70180-6502
70873-0707	43650-07**	70180-3007	7	320	70180-0371	7	2240	43655-0002	70180-6501	70180-6502
70873-0708	43650-08**	70180-3008	8	320	70180-0371	7	2240	43655-0002	70180-6501	70180-6502
70873-0709	43650-09**	70180-3009	9	320	70180-0371	5	1600	43655-0003	70180-6502	70180-6502
70873-0710	43650-10**	70180-3010	10	320	70180-0371	5	1600	43655-0003	70180-6502	70180-6502
70873-0711	43650-11**	70180-3011	11	320	70180-0371	5	1600	43655-0003	70180-6502	70180-6502
70873-0712	43650-12**	70180-3012	12	320	70180-0371	5	1600	43655-0003	70180-6502	70180-6502

NOTES:

- PACKAGING MATERIALS: EMBOSSED CARRIER TAPE IS POLYSTYRENE (PS). TOP COVER TAPE IS A COMPOSITE OF POLYETHYLENE TEREPHTHALATE (PET), POLYETHYLENE (PE), AND POLYFILM (PEF), CARRIER REEL IS POLYSTYRENE (PS).
- THIS CONNECTOR COMPLIES WITH MOLEX PRODUCT SPECIFICATION PS-43650
- EACH REEL MUST BE LOADED WITH 320 CONNECTORS (SEE NOTE 5).
- THE FOLLOWING NOTES HAVE BEEN DERIVED FROM THE E.I.A. STANDARDS 481.
- CONNECTOR MINIMUMS/REEL ARE SHOWN ABOVE, IN NO CASE SHALL THERE BE TWO CONSECUTIVE COMPONENTS MISSING BETWEEN THE FIRST AND LAST PART OF ANY REEL.
- THE TOP COVER TAPE SHALL BE CLEAR ONLY, NOT EXTEND OVER THE EDGES OF THE CARRIER TAPE OR COVER ANY PART OF THE SPROCKET HOLES.
- ADJACENT LAYERS OF TAPE SHALL NOT STICK TOGETHER WHEN WOUND ON THE CARRIER REEL.
- THE TOP COVER TAPE MUST BE SECURELY ATTACHED TO THE EMBOSSED CARRIER TAPE BY USE OF HEAT.
- EACH REEL SHALL HAVE A LABEL AFFIXED TO IT WITH THE FOLLOWING INFORMATION: PART NO., QUANTITY=320, AND DATE CODE. LABEL SHOWN FOR ILLUSTRATION ONLY. LABEL TO BE LOCATED ON SIDE OF REEL OPPOSITE THE ROUND SPROCKET HOLES.
- TAPE SPLICES ARE NOT PERMITTED.
- THE TOP COVER TAPE SHALL HAVE A TOTAL PEEL STRENGTH OF 0.1-0.7 NEWTONS WHEN PULLED OPPOSITE THE DIRECTION OF CARRIER TAPE TRAVEL. THE CARRIER AND/OR COVER TAPE SHALL BE PULLED WITH A VELOCITY OF 120±mm PER MINUTE.
- ALL DIMENSIONS ARE SHOWN FOR REFERENCE ONLY.



QUALITY SYMBOLS	GENERAL TOLERANCES (UNLESS SPECIFIED)	DIMENSION STYLE IN/MM
$\nabla = 0$	4 PLACES ±	DRAWN BY BAP DATE 03/25/96
$\nabla = 0$	3 PLACES ±	CHECKED BY BAP DATE 03/25/96
$\nabla = 3$	2 PLACES ±	APPROVED BY R.J.F. DATE 03/25/96
	1 PLACE ±	MATERIAL NO. D
	0 PLACE ±	SEE CHART
	ANGULAR ±1/2°	THIS DRAWING CONTACT INCORPORATED AND S

REV	DESCRIPTION	DATE	BY
G4	ADD SHEET 4	2012/05/17	DRWN:MMSTROH
		2012/06/15	CHKD:SSOUSEK
		2012/06/27	APP:RFSMITH

Looking for pricing, stock, or lifecycle information?

Click below to explore more details on WIN SOURCE:

[View 0436500225 on WIN SOURCE](#)

[Molex, LLC Information](#)

Optimize Your Supply Chain with WIN SOURCE Solutions

- ✓ Global Sourcing Solution
- ✓ Obsolete Management
- ✓ Cost Control Management
- ✓ Shortage Management
- ✓ Alternative Solution
- ✓ Excess Inventory Management