

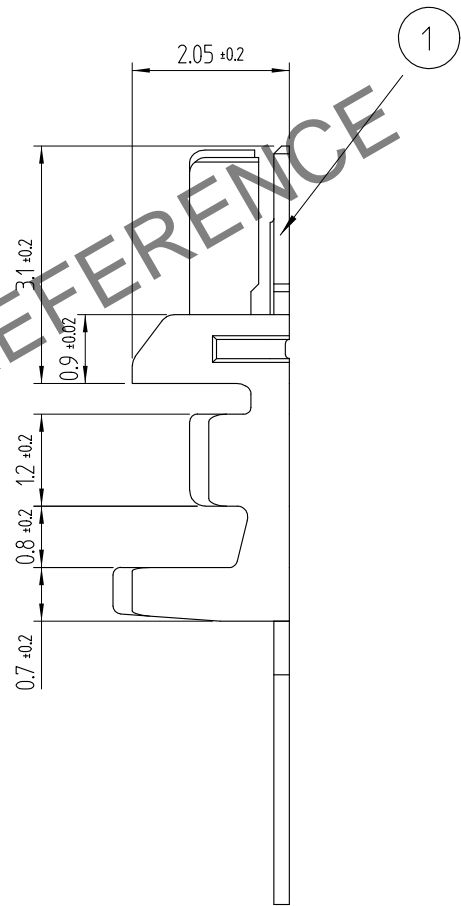
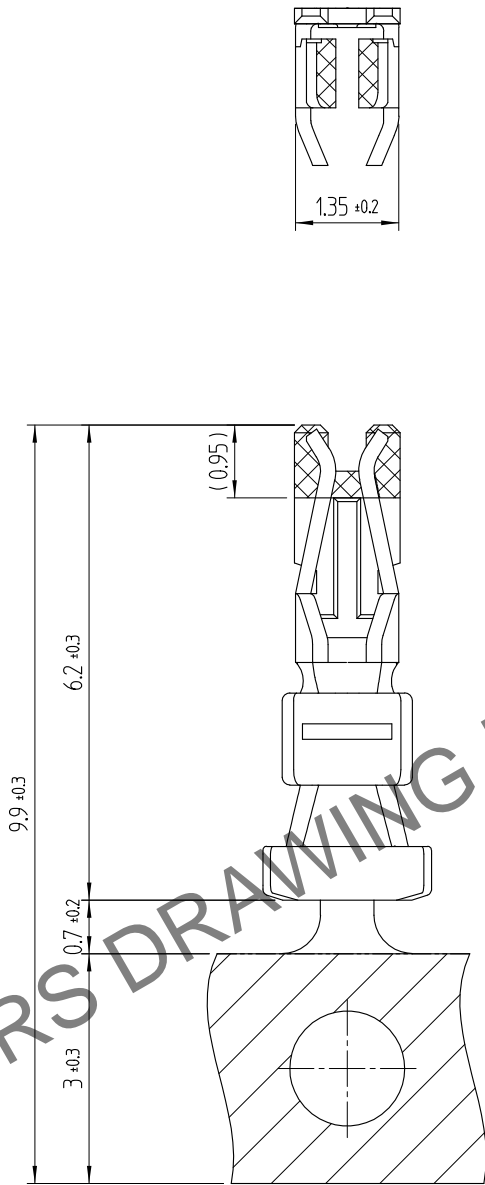


**THE DATASHEET OF
DF51K-2428SCFA(800)**



Jun.1.2024 Copyright 2024 HIROSE ELECTRIC CO., LTD. All Rights Reserved.
In case of consideration for using Automotive equipment / device which demand high reliability, kindly contact our sales window correspondents.

1					2					3					4				
△數 COUNT	訂正事項 DESCRIPTION OF REVISIONS				擔當 B Y	檢圖 CHKD	年月日 DATE			△數 COUNT	訂正事項 DESCRIPTION OF REVISIONS				擔當 B Y	檢圖 CHKD	年月日 DATE		
△										△									
△										△									
△										△									



HRS DRAWING FOR REFERENCE

NOTE1. ONE REEL HAS 10,000 PIECES OF CONTACTS.

NO. 1		MATERIAL PHOSPHOR BRONZE		FINISH. REMARKS CONTACT : GOLD PLATING 0.2μm MIN CARRIER : TIN PLATING 1μm MIN OVER NICKEL 0.5μm MIN			
CODE NO. (OLD)			DRAWN	DESIGNED	CHECKED	APPROVED	RELEASED
			CHOI 17.12.22 J.S	CHOI 17.12.22 J.S	LIM 17.12.22 S.M	KANG 17.12.22 T.S	
DRAWING NO. EDC4-611495		PART NO. DF51K-2428SCFA (800)					
SCALE 10:1		HRS HIROSE KOREA CO.,LTD.				CODE NO 6652-0042-9-800	
UNITS mm							

1/1

Looking for pricing, stock, or lifecycle information?

Click below to explore more details on WIN SOURCE:

- [View DF51K-2428SCFA\(800\) on WIN SOURCE](#)
- [Hirose Electric Co Ltd Information](#)

Optimize Your Supply Chain with WIN SOURCE Solutions

- ✓ Global Sourcing Solution
- ✓ Obsolete Management
- ✓ Cost Control Management
- ✓ Shortage Management
- ✓ Alternative Solution
- ✓ Excess Inventory Management