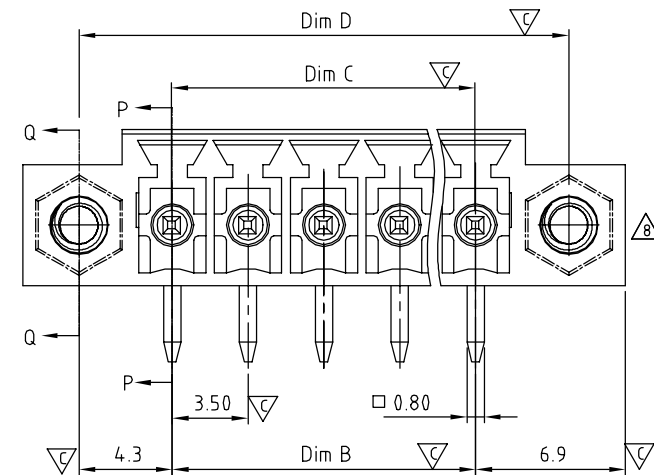




**THE DATASHEET OF
OQ0415510000G**

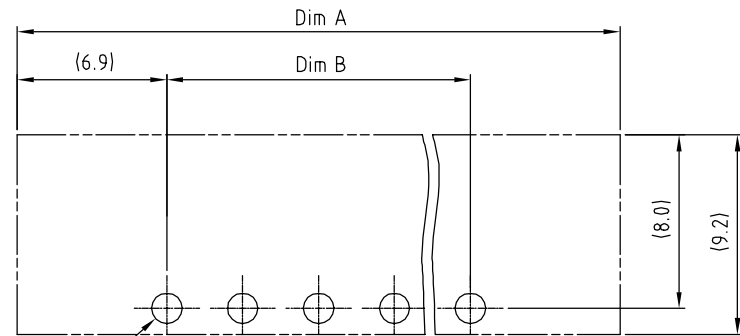
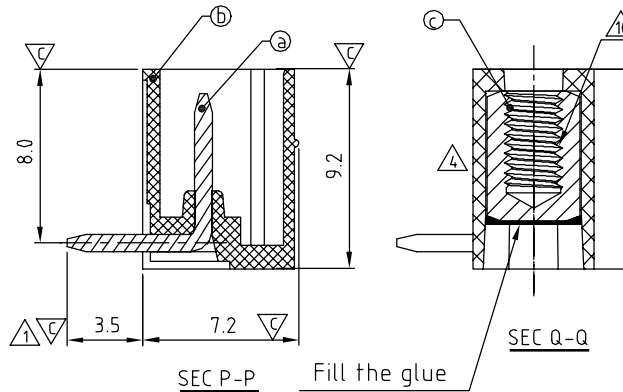
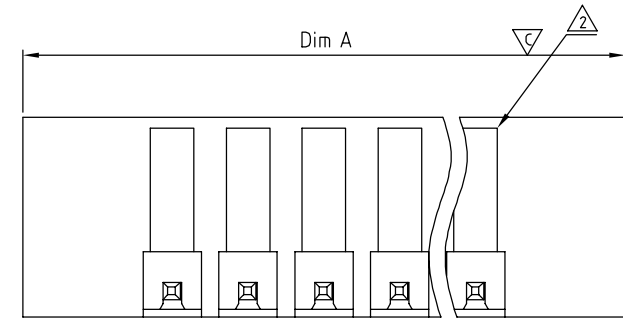




N= Number of contacts

Dim A	$(N-1) \times 3.5 + 13.8$
Dim B	$(N-1) \times 3.5$
Dim C	$(N-1) \times 3.5$
Dim D	$(N-1) \times 3.5 + 8.6$

2p-6p	± 0.15
7p-12p	± 0.20
13p-16p	± 0.25
17p-24p	± 0.30



SIGN	DATE	DESCRIPTION	APPROVER
△	10/20'05	Dim changed from 3.8 to 3.5	Marvin
△	04/20'06	added feature	Marvin
△	8/16'06	Added VDE standard	Steady
△	1/11'07	Soldering temperature changed from 245° to 250°	Tony
△	12/27'07	Body flange is changed	Marvin
△	5/27'08	Operating temperature is changed	Marvin
△	2009.08.18	The material is changed	Jacke
△	2009.08.28	The design is changed from the round hole to hexagonal hole	Jacke
△	2010.07.07	Remove the CSA mark	Chen Bo
△	11/18'11	Flange nut is changed	ChenMing
△	2012.05.14	Voltage rating is changed	Chen Bo
△	2012.05.14	The Dimension Dim C & Dim D are added	Chen Bo

THIS IS CAD DRAWING, DO NOT REVISE MANUALLY!!!

Material:

- △ Item ① Male contact pin: Copper C1100 Tin plated
- Item ② Terminalhousing: Thermoplastic (UL94V-0)
- Item ③ With flange nut: Brass M2.5

△ 3 Electrical: cULus /VDE

- Voltage rating: 300V/300V

- Current rating: 10A/10.5A

- Withstanding Voltage: 1.6 KV/2.5KV

△ 6 ● Operating temperature: -40°C to +115°C

△ 4 ● Soldering temperature: 250°C \pm 10°C/5 Sec

△ 9 ● Safety Approval:



- Critical dimension: ∇

OQ xx 1 5 x 1 xxxx G

No. OF POLES: 02: 2 POLES

24: 24 POLES

G RoHS compliant (lead<4%) In copper Alloy

Color

- 0 Black (RAL9005)
- 2 Red (RAL3001/D)
- 3 Orange(RAL2011/P)
- 4 Yellow(RAL1018/A)
- 5 Green(RAL6018/T)
- 6 Blue (RAL5015/A)
- 8 Grey(RAL7035/D)

0000: "@ " Logo

000A: "ANYTEK" Logo

Any special item by customer request.

please contact sales department.

ANYTEK

CUSTOMER COPY

ALL RIGHTS RESERVED. REPRODUCTION OR ISSUE TO THIRD PARTIES IN ANY FORM WHATSOEVER IS NOT PERMITTED WITHOUT WRITTEN AUTHORITY FROM THE PROPRIETOR. PROPERTY OF ANYTEK TECHNOLOGY CO., LTD

TITLE		OQ 3.5mm 90° Series With flange			
PART NO.	OQxx15x1xxxxG	DWG NO.	80Q0404		
APPROVED	CHECKED	DESIGNED	DRAWN	CUST NO.	
		Chen Bo 05/14'12	Chen Bo 05/14'12		
				Tolerance	
				UNIT: mm	X. ±0.50
		SHEET: 01/01		SCALE: NONE	X.X ±0.30
				REV.: N	X.XX ±0.10
					X° ±1°

Looking for pricing, stock, or lifecycle information?

Click below to explore more details on WIN SOURCE:

 [View OQ0415510000G on WIN SOURCE](#)

 [Amphenol Anytek Information](#)

Optimize Your Supply Chain with WIN SOURCE Solutions

-  Global Sourcing Solution
-  Obsolete Management
-  Cost Control Management
-  Shortage Management
-  Alternative Solution
-  Excess Inventory Management