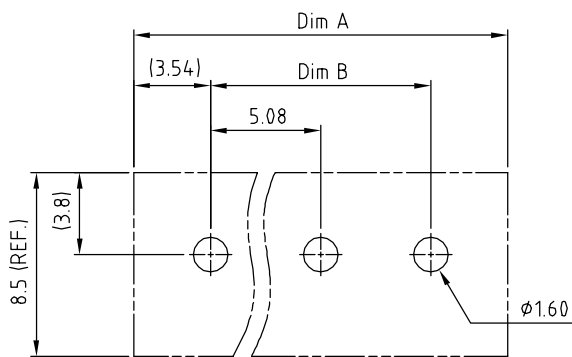
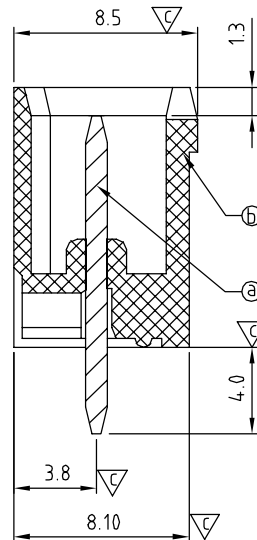
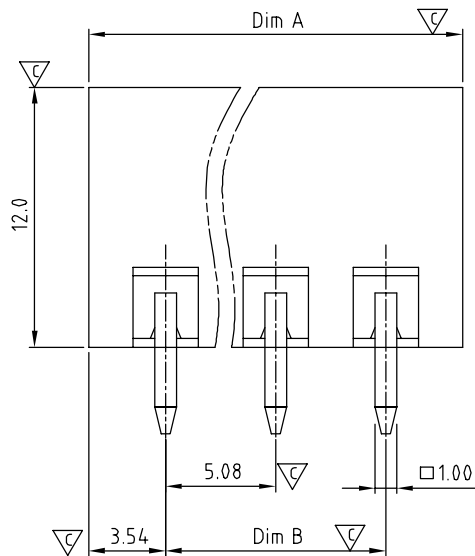
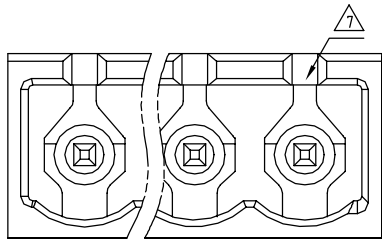




**THE DATASHEET OF
OQ045450000G**





RECOMMENDED PCB LAYOUT

N = Number of poles
 Dim A = $N \times 5.08 + 2$
 Dim B = $(N - 1) \times 5.08$

	Dim A	Dim B
2-6p	± 0.15	± 0.15
7-12p	± 0.20	± 0.20
13-18p	± 0.30	± 0.30
19-24p	± 0.40	± 0.40

SIGN	DATE	DESCRIPTION	APPROVER
△	8/16'06	Added VDE and TUV standard	Steady
△	8/16'06	Current rating (cULus) changed from 10A to 20A	Steady
△	1/20'07	Soldering temperature changed from 245° to 250°	Tony
△	2009.10.21	The material is changed from Brass to Copper	Jacke
△	2009.10.21	The operating temperature is changed	Jacke
△	2009.10.21	Remove the CSA certification	Jacke
△	2010.03.22	The design is changed	Jacke
△	2013.01.07	Update the drawing	Chen Bo

THIS IS CAD DRAWING, DO NOT REVISE MANUALLY!!!

Material:

- △ Item (a) Male contact pin: Copper Tin plated
- Item (b) Terminal(housing): Thermoplastic (UL94V-0)

- △ 1 Electrical: cULus /VDE /TUV
 - Voltage rating: 300V/300V/300V
- △ 2 Current rating: 20A/20A/20A
 - Withstanding Voltage: 1.6 KV/2.5KV/2.5KV
- △ 5 Operating temperature: -40°C to +115°C
- △ 3 Soldering temperature: 260°C \pm 5°C/5 Sec
- Safety Approval: cULus VDE TÜV
- Critical dimension: ▽

OQ xx 5 4 x 0 xxxx G

No. OF POLES
 02: 2 POLES
 :
 24: 24 POLES

COLOR

- 0 Black (RAL9005)
- 2 Red (RAL3001/D)
- 3 Orange (RAL2011/P)
- 4 Yellow (RAL1018/A)
- 5 Green (RAL6018/T)
- 6 Blue (RAL5015/A)
- 8 Grey (RAL7035/D)
- 9 White (RAL1102)
- △ C Green (RAL6018/U)

G RoHS compliant (lead<4%)
 In copper Alloy
 0000: "@ Logo (Standard)
 000A: "ANYTEK" Mark
 Any special item by customer request.
 please contact sales department.

ANYTEK

CUSTOMER COPY

ALL RIGHTS RESERVED. REPRODUCTION OR ISSUE TO THIRD PARTIES IN ANY FORM WHATSOEVER IS NOT PERMITTED WITHOUT WRITTEN AUTHORITY FROM THE PROPRIETOR. PROPERTY OF ANYTEK TECHNOLOGY CO., LTD

TITLE		QO 5.08mm 180° /Close Series 2p-24p	
PART NO.	QOxx54x0xxxxG	DWG NO.	80Q0703
APPROVED	CHECKED	DESIGNED	DRAWN
		Chen Bo 01/07 13	Chen Bo 01/07 13
SHEET: 01/01		Tolerance	
UNIT: mm		X. ± 0.50	
SCALE: NONE		X.X ± 0.30	
REV.: J		X.XX ± 0.10	
		X° $\pm 1°$	

Looking for pricing, stock, or lifecycle information?

Click below to explore more details on WIN SOURCE:

 [View OQ045450000G on WIN SOURCE](#)

 [Amphenol Anytek Information](#)

Optimize Your Supply Chain with WIN SOURCE Solutions

-  Global Sourcing Solution
-  Obsolete Management
-  Cost Control Management
-  Shortage Management
-  Alternative Solution
-  Excess Inventory Management