

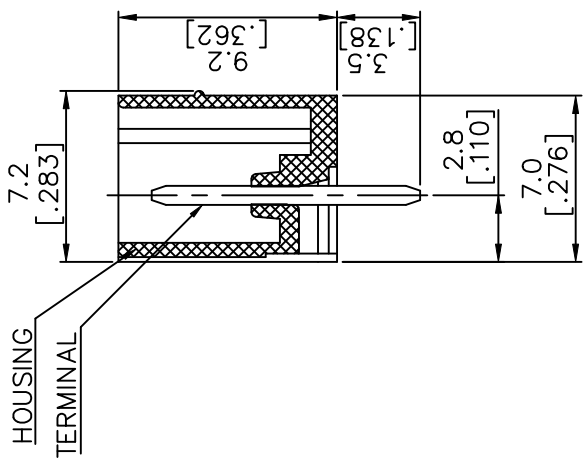
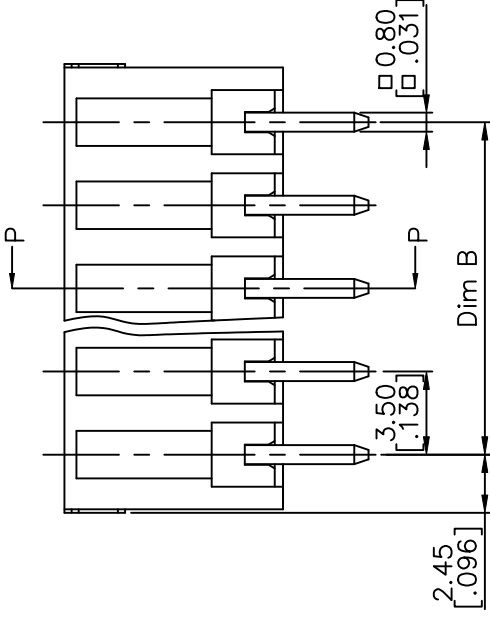
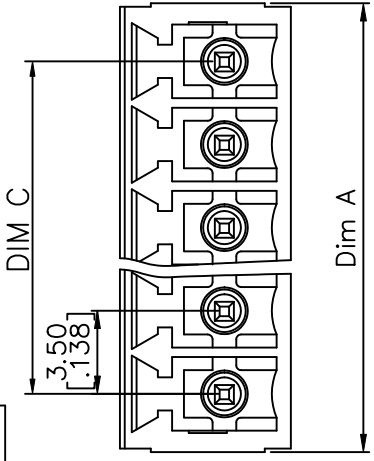


**THE DATASHEET OF  
OQ025450000G**

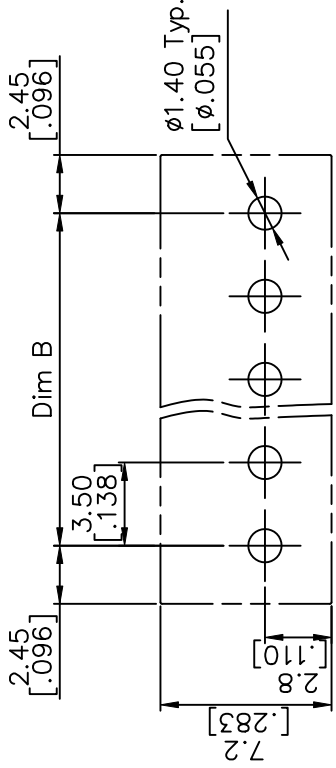




PRODUCT NUMBER	SERIES NAME	PITCH
20020107-CXXXXXXLF	06-350	3.50 mm



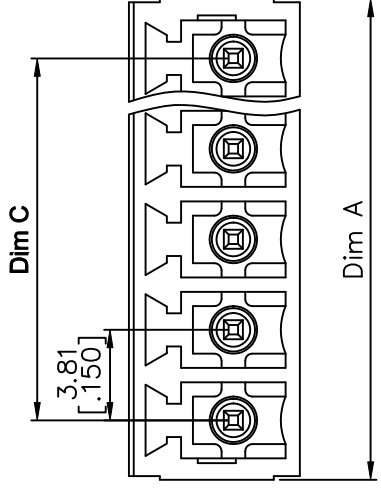
SECTION P-P



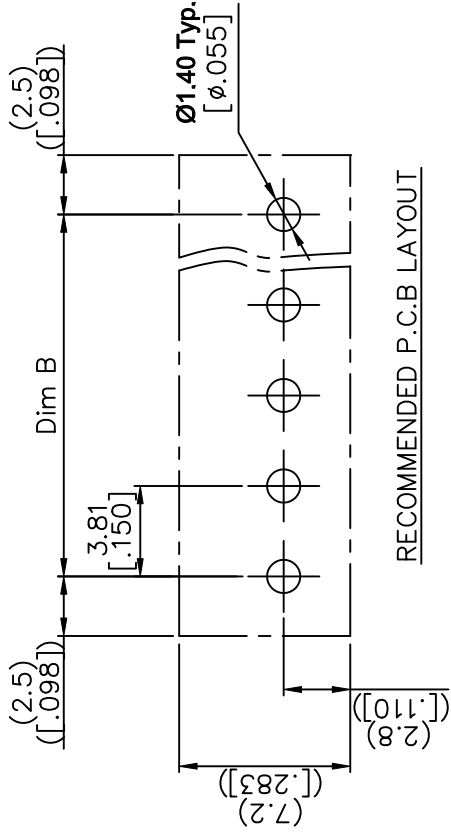
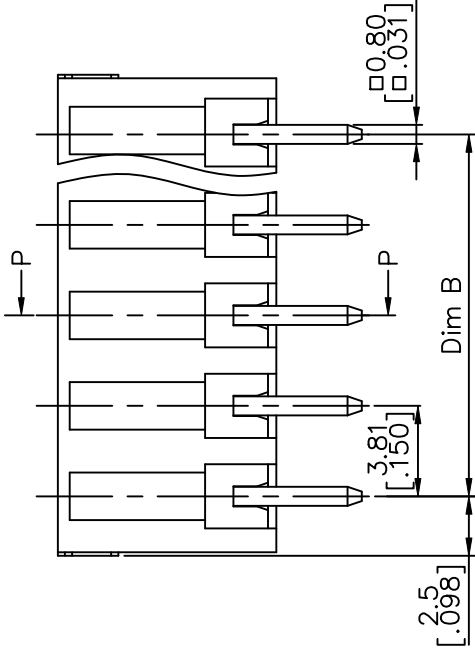
RECOMMENDED P.C.B LAYOUT

mat'l. code	surface	tr
	ASME Y14.5	
itr	ecn no	dr date
k		
	tolerances unless	
	angles	
	X±1*	X.X
	X±1*	X.XX
	dr	BEER FU
	engr	BEER FU
	chr	GARY HSIEN
	appd	JOSEPH HS
sheet	revision	
index	sheet	

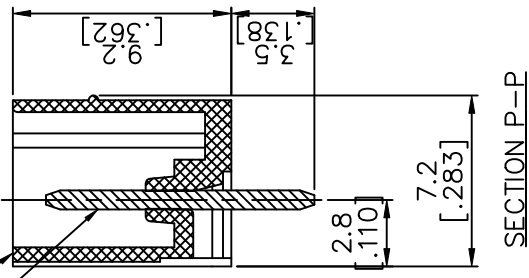
PRODUCT NUMBER	SERIES NAME	PITCH
20020107-DXXXXXXLF	06-381	3.81 mm



HOUSING  
TERMINAL



RECOMMENDED P.C.B LAYOUT

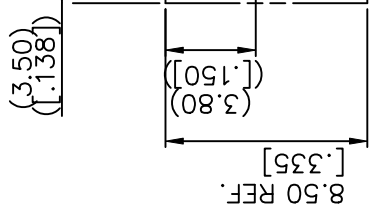
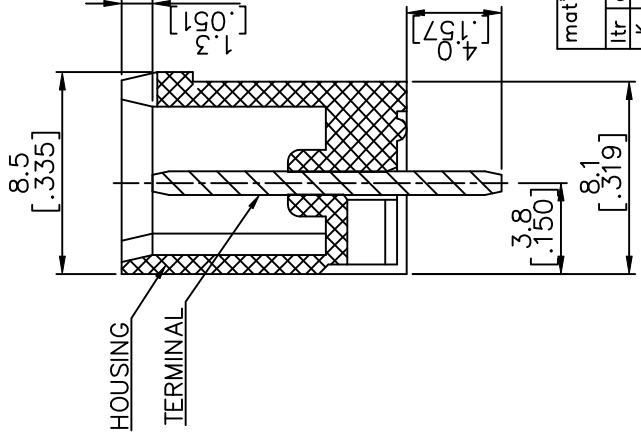
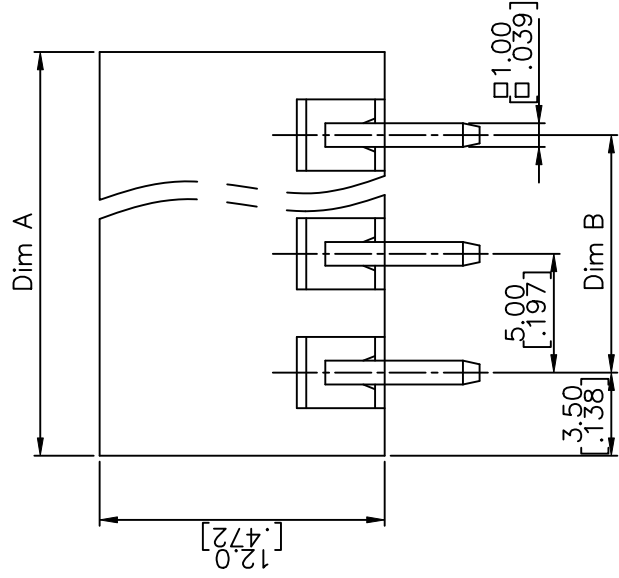
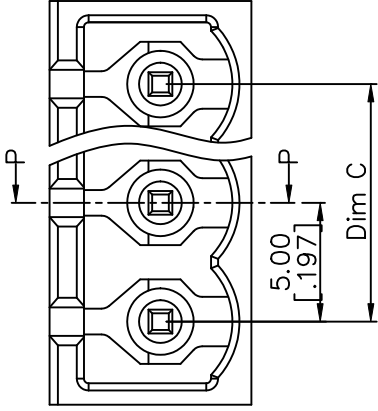


SECTION P-P

mat'l. code	tr	ecn	no	dr	date	surface	tc
	k					ASME Y14.5	ASME Y14.5
						tolerances unless	
						angles	
						X±1*	X.X
						X±1*	X.XX
						dr	BEER FU
						engr	BEER FU
						chr	GARY HSIEN
						appd	JOSEPH HSIAO
	sheet	revision					
	index	sheet					

PRODUCT NUMBER	SERIES NAME	PITCH
20020107-GXXXXXLF	06-500	5.00 mm

N = NI
DIMENS
Dim A
Dim B
Dim C
Pole
2p-
7p-
13p-
17p-

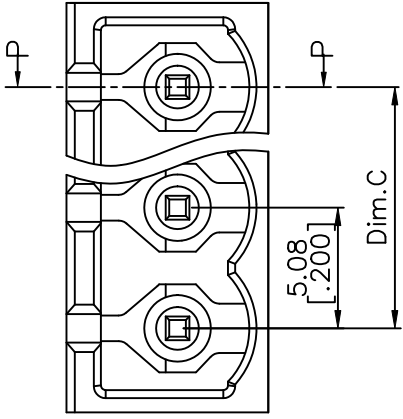


8.50 REF.  
[.335]

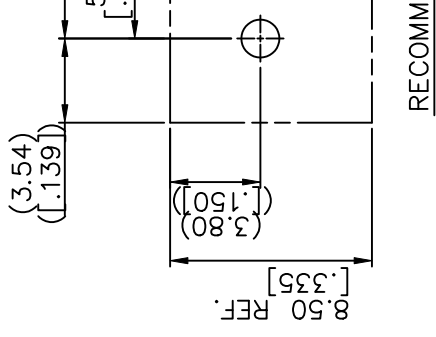
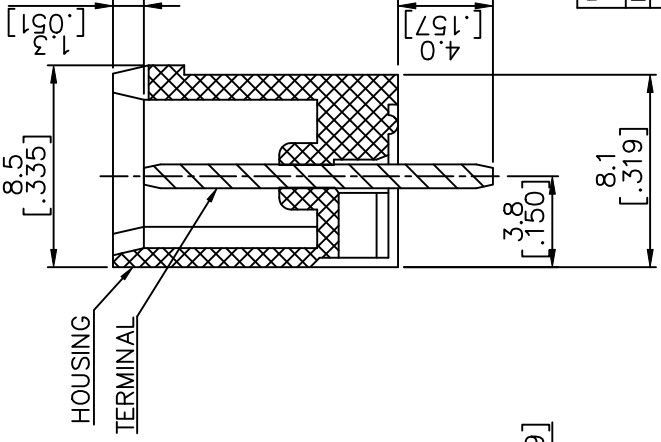
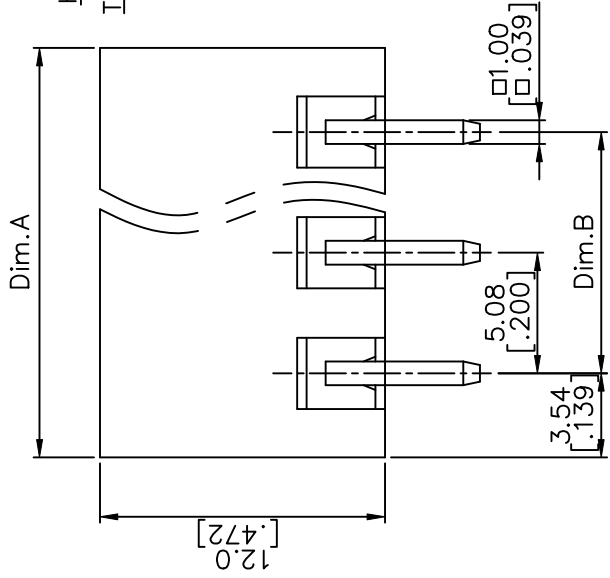
SECTION P-P

mat'l. code	tr	ecn	no	dr	date	surface	tc
k						ASME Y14.5	ASME Y14.5
						tolerances unless	tolerances unless
						angles	angles
						X±1*	X.X
						X±1*	X.XX
						dr	BEER FU
						engr	BEER FU
						chr	GARY HSIEN
						appd	JOSEPH HS
sheet	revision						
index	sheet						

PRODUCT NUMBER	SERIES NAME	PITCH
20020107-HXXXXXXLF	06-508	5.08 mm



N = NUM	DIMENSIO
Dim A	N
Dim B	(0
Dim C	(0
Poles	
2p-6p	
7p-12	
13p-11	
17p-2	




RECOMM

mat'l. code		surface	tolerances unless	angles	dr	engr	chr	appd
ltr	ecn no	ASME Y14.5	ASME Y14.5	X.X	BEER FU	BEER FU	GARY HSIEN	JOSEPH HS
k	date			X±1°				
				X.XX				
sheet	revision							
index	sheet							

## Looking for pricing, stock, or lifecycle information?

Click below to explore more details on WIN SOURCE:

-  [View OQ025450000G on WIN SOURCE](#)
-  [Amphenol Anytek Information](#)

## Optimize Your Supply Chain with WIN SOURCE Solutions

-  Global Sourcing Solution
-  Obsolete Management
-  Cost Control Management
-  Shortage Management
-  Alternative Solution
-  Excess Inventory Management