



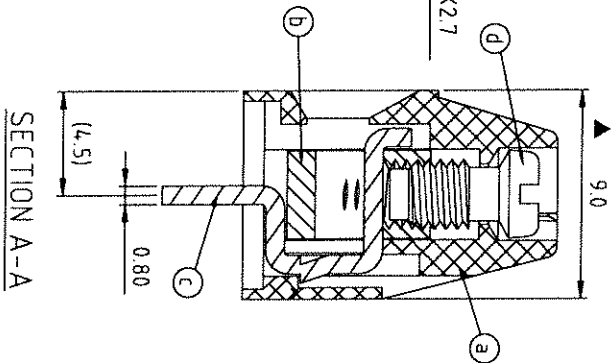
**THE DATASHEET OF  
VI0201550000G**



DIMENSION	
DIM.L	NX5.0
DIM.B	(N-1)X5.0

N=Number of poles

Poles	Dim.L Tolerance
2p-6p	±0.15
7p-12p	±0.25
13p-18p	±0.35
19p-24p	±0.40



REV. SIGN	DATE	DESCRIPTION	APPROVER
B	2020.11.11	The first release	Guoxue
C	2021.01.26	Add TUV certification	Rhine

THIS IS CAD DRAWING, DO NOT REVISE MANUALLY!!!

Material:

- Item Ⓐ Insulator body: Thermoplastic (UL 94V-0)
- Item Ⓑ Terminal body(house): Brass ,NI plated
- Item Ⓒ Contacts: Brass , Tin plated
- Item Ⓓ Terminal screw: Steel Zinc plating"- " slot type

⚠ Electrical CULUS TUV

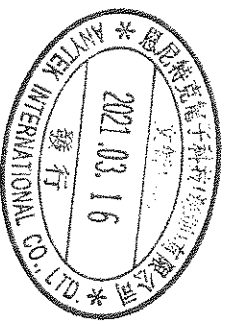
- Voltage rating: 300VAC 250VAC
- Current rating: 16A 17.5A
- Wire range: 0.2-1.5mm<sup>2</sup>
- Solid wire(AWG): 12-28
- Stranded wire(AWG): 12-28
- Torque: 3.5Lb-In. 0.5N.m
- Screw: M3
- Wire strip length: 6-7mm
- Withstanding Voltage: 16KV 2.0KV
- Operating temperature: -40°C to +115°C
- Wave soldering temperature: 260°C±5°C/5 Sec
- Safety Approval:
- Critical dimension:

Reference dimension: ( \* )The dimensions of pitch are just for reference, take the actual assembly result as a judgment when inserting the terminal block into the PCB hole.

02 2 POLES	0 Black (RAL9005)	0000-"@L"Logo (Standard)
03 3 POLES	2 Red (RAL3001/D)	000A-"ANYTEK"Logo
...	3 Orange(RAL2011/P)	Any special item by customer request,
24 24 POLES	4 Yellow(RAL1018/A)	please contact sales department.
	5 Green(RAL6018/T)	
	6 Blue (RAL5015/A)	
	8 Grey(RAL7035/D)	
	C Green(RAL6018/U)	

VI XX 01 X 5 XXXX G

RohS compliant (lead<4%)  
In copper Alloy

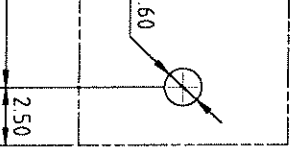


**Amphenol**  
**ANYTEK**

**CUSTOMER COPY**

ALL RIGHTS RESERVED. REPRODUCTION OR ISSUE TO THIRD PARTIES IN ANY FORM WHATSOEVER IS NOT PERMITTED WITHOUT WRITTEN AUTHORITY FROM THE PROPRIETOR. PROPERTY OF ANYTEK TECHNOLOGY CO., LTD

TITLE		VI 5.0 SERIES Solid block 180° wire inlet (without cover)---have Probe hole	
PART NO.	VIxx01x5xxxxG	DWG NO.	8V10434
APPROVED	CHECKED	DESIGNED	DRAWN
		Rhine	Rhine
		2021.01.26	2021.01.26
SHEET: 01/01		REV: C	
Tolerance		UNIT: mm	X, ±0.50
		SCALE: NONE	XX, ±0.30
			XXX, ±0.10
			X°, ±1°





3 4 5 6 7

2/03-2021

## Looking for pricing, stock, or lifecycle information?

Click below to explore more details on WIN SOURCE:

-  [View VI0201550000G on WIN SOURCE](#)
-  [Amphenol Anytek Information](#)

## Optimize Your Supply Chain with WIN SOURCE Solutions

-  Global Sourcing Solution
-  Obsolete Management
-  Cost Control Management
-  Shortage Management
-  Alternative Solution
-  Excess Inventory Management