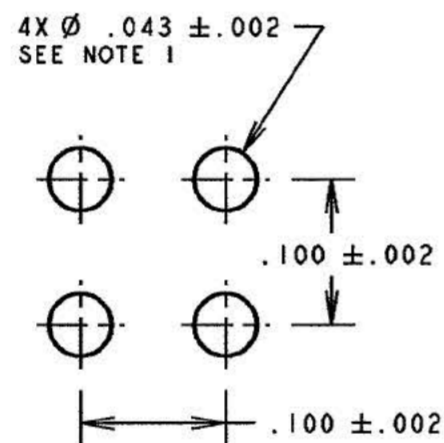
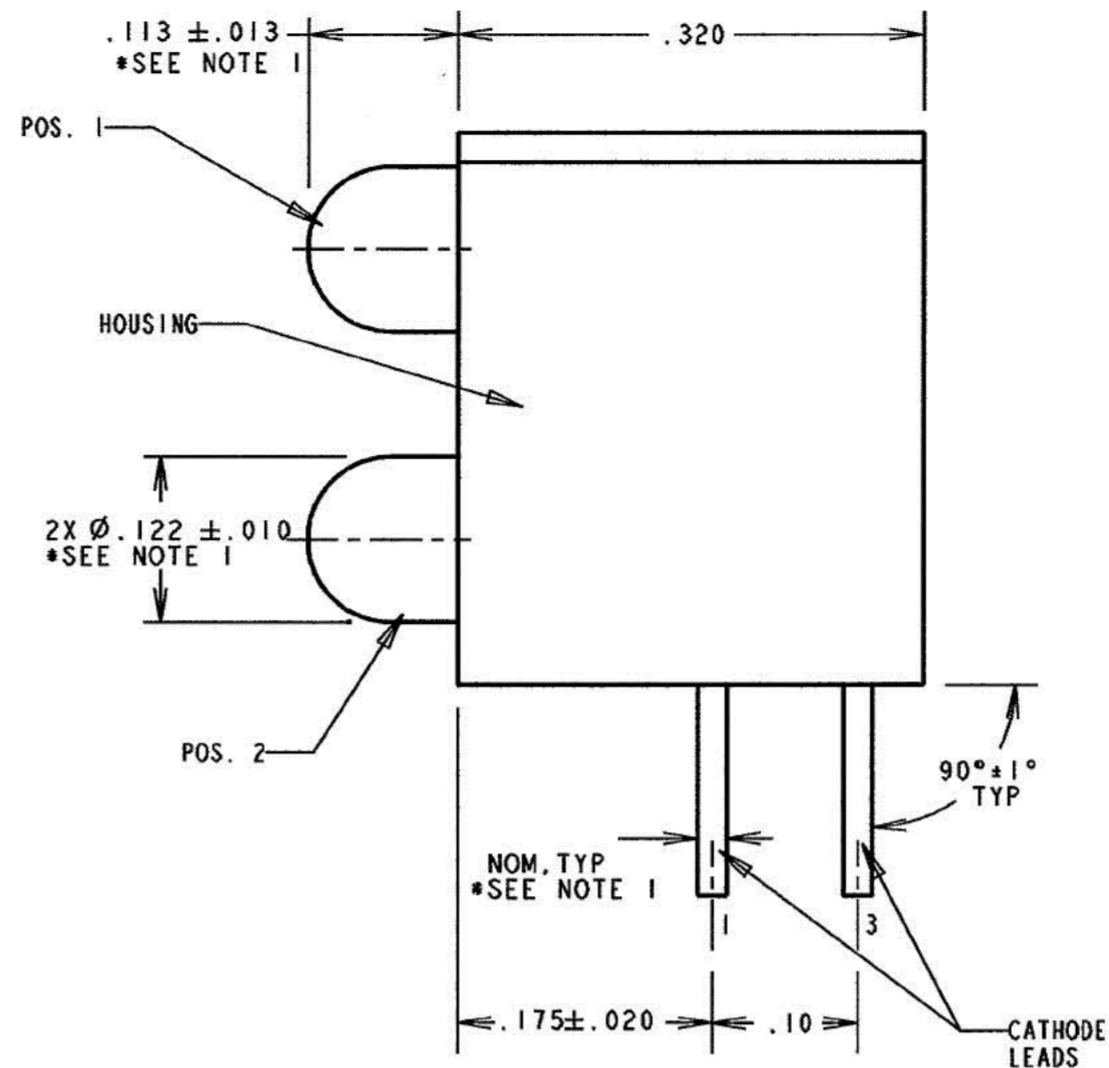
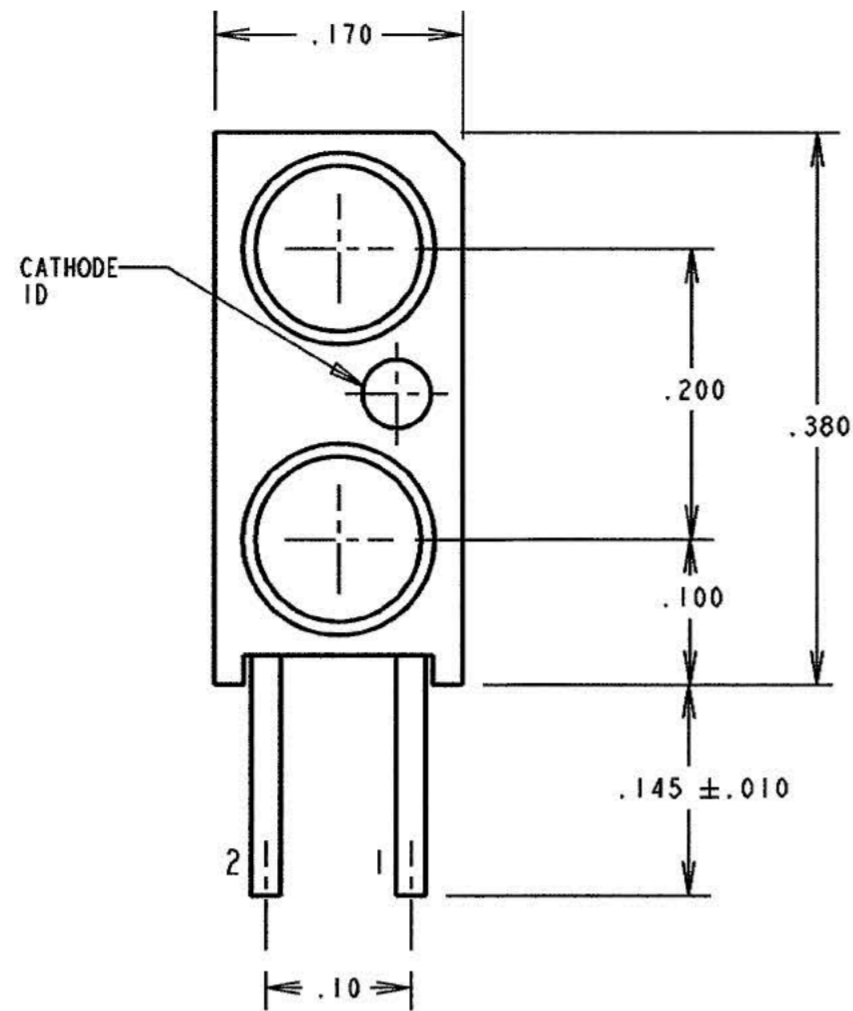
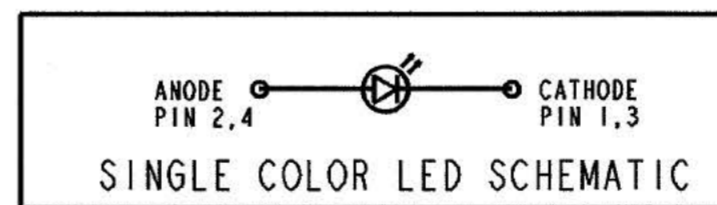
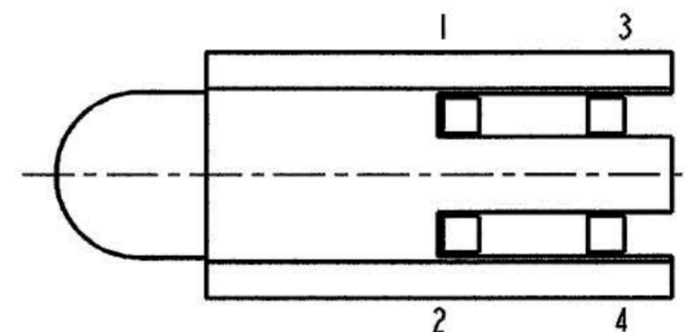




ASSY. NO. (CAT. NO.)	LED COLOR		NOTES
	POSITION 1	POSITION 2	
553-0101F	BLANK	RED	
553-0102F	BLANK	GREEN	
553-0103F	BLANK	YELLOW	
553-0107F	BLANK	ORANGE	
553-0108F	BLANK	BLUE	**
553-0110F	RED	BLANK	
553-0111F	RED	RED	
553-0112F	RED	GREEN	
553-0113F	RED	YELLOW	
553-0118F	RED	BLUE	**
553-0120F	GREEN	BLANK	
553-0121F	GREEN	RED	**
553-0122F	GREEN	GREEN	
553-0123F	GREEN	YELLOW	
553-0128F	GREEN	BLUE	**
553-0130F	YELLOW	BLANK	
553-0131F	YELLOW	RED	
553-0132F	YELLOW	GREEN	
553-0133F	YELLOW	YELLOW	
553-0181F	BLUE	RED	
553-0182F	BLUE	GREEN	**
553-0188F	BLUE	BLUE	**
553-0199F	WHITE	WHITE	*/**
553-0201F	BLANK	RED	*
553-0202F	BLANK	GREEN	*
553-0203F	BLANK	YELLOW	*
553-0210F	RED	BLANK	*
553-0211F	RED	RED	*
553-0212F	RED	GREEN	*
553-0213F	RED	YELLOW	*
553-0220F	GREEN	BLANK	*
553-0221F	GREEN	RED	*
553-0222F	GREEN	GREEN	*
553-0223F	GREEN	YELLOW	*
553-0230F	YELLOW	BLANK	*
553-0231F	YELLOW	RED	*
553-0232F	YELLOW	GREEN	*
553-0233F	YELLOW	YELLOW	*
553-0301F	BLANK	RED	*
553-0302F	BLANK	GREEN	*
553-0303F	BLANK	YELLOW	*
553-0310F	RED	BLANK	*
553-0311F	RED	RED	*
553-0312F	RED	GREEN	*
553-0313F	RED	YELLOW	*
553-0320F	GREEN	BLANK	*
553-0321F	GREEN	RED	*
553-0322F	GREEN	GREEN	*
553-0323F	GREEN	YELLOW	*
553-0331F	YELLOW	RED	*
553-0332F	YELLOW	GREEN	*
553-0333F	YELLOW	YELLOW	*



RECOMMENDED PC BOARD HOLE PATTERN



REV	ECN NO	REVISIONS	DRN	CKD	APP	DATE
A	—	NEW RELEASE	TWC	MES	N.O.	8-5-05
B	—	ADDED P/N 553-0181F	SM	N.O.	MES	11-13-06
C	—	CHANGED IN SIDE VIEW POS 3 TO POS 2	SM	N.O.	MES	11-17-06
D	—	ADDED P/N 553-0199F & NOTE 4	SM	N.O.	MES	5-1-07
E	—	OPERATING CHARACTERISTICS TABLE CORRECTED FOR WHITE LED	SM	N.O.	MES	5-22-07
F	—	UPDATED WHITE LED SPECS	KLJ	N.B.	7/2	2-7-08

NOTE:

- \*DENOTES PARTS WITH LED PROTRUSION OF  $.103 \pm .013$ , WITH LEADS  $.018$  SQ. NOM., LED BODY  $\phi .115 \pm .010$  AND THE PC BOARD RECOMMENDED HOLE SIZE IS  $\phi .040 \pm .002$ .
- DIALIGHT PART NUMBER: 553-0XXXF
- PIN NUMBER FOR REFERENCE ONLY, DESIGNATION NON-EXISTENT ON PARTS.
- THIS ASSEMBLY CONTAINS ELECTROSTATIC DISCHARGE SENSITIVE DEVICES (ESDS). MAINTAIN ALL PRECAUTIONARY MEASURES DURING ASSEMBLY, HANDLING AND STORAGE IN ACCORDANCE WITH IPC-A-610.



**\*\*ATTENTION:**  
OBSERVE PRECAUTIONS FOR  
HANDLING ELECTROSTATIC  
SENSITIVE DEVICES

**RoHS Compliant 553-0xxxF Thru hole Bi-level CBI**

Part Numbers with the "F" suffix ending are RoHS Compliant.  
Example: 553-0101F, 553-0333F  
The bag packaging is marked with "RoHS Compliant" label or equivalent markings.  
Parts can be wave soldered, dip soldered or hand soldered using typical lead-free soldering process with max 260°C temp. for 5 sec.

20mA WHITE LED OPERATING CHARACTERISTICS AT $T_A = 25^\circ\text{C}$					
SYMBOL	PARAMETER	MIN	TYP	MAX	UNITS TEST COND.
$V_F$	FORWARD VOLTAGE		3.2	3.7	V $I_F = 20\text{mA}$
$I_R$		10			$\mu\text{A}$ $V_R = 5\text{V}$
$I_V$	LUMINOUS INTENSITY	1150		2500	mc d $I_F = 20\text{mA}$

BIN	LIMITS (WHITE LED) (CHROMATICITY COORDINATES)			
	X	Y	Z	U
1	0.330	0.330	0.356	0.361
	0.360	0.318	0.351	0.385
2	0.287	0.296	0.330	0.330
	0.295	0.276	0.318	0.339
3	0.264	0.280	0.296	0.283
	0.267	0.248	0.276	0.305
4	0.283	0.287	0.330	0.330
	0.305	0.295	0.339	0.360

10 mA LED. OPERATING CHARACTERISTICS AT $T_A = 25^\circ\text{C}$						
SYMBOL	PARAMETER	COLOR	MIN	TYP	MAX	UNITS TEST COND.
$V_F$	FORWARD VOLTAGE	RED		2.0	3.0	V $I_F = 10\text{mA}$
		YELLOW		2.1	3.0	
		GREEN		2.1	3.0	
$V_R$	ALL		3			V $I_R = 10\mu\text{A}$
$\lambda_{PK}$	PEAK WAVELENGTH	RED		650		nm MEASURED AT PEAK
		YELLOW		585		
		GREEN		563		
		BLUE		428		
$I_V$	LUMINOUS INTENSITY	RED	3.6	10.0		mc d $I_F = 10\text{mA}$
		YELLOW	2.2	6.3		
		GREEN	5.6	16.0		
		BLUE	6.3	20		

2 mA LOW CURRENT LED. OPERATING CHARACTERISTICS AT $T_A = 25^\circ\text{C}$						
SYMBOL	PARAMETER	COLOR	MIN	TYP	MAX	UNITS TEST COND.
$V_F$	FORWARD VOLTAGE	RED		1.7	2.2	V $I_F = 2\text{mA}$
		YELLOW		1.8	2.7	
		GREEN		1.9	2.2	
$V_R$	ALL		5			V $I_R = 50\mu\text{A}$
$\lambda_{PK}$	PEAK WAVELENGTH	RED		635		nm MEASURED AT PEAK
		YELLOW		583		
		GREEN		565		
$I_V$	LUMINOUS INTENSITY	RED	1.0	1.6		mc d $I_F = 2\text{mA}$
		YELLOW	1.0	1.6		
		GREEN	1.0	1.6		

5 V., INTEGRAL RESISTOR LED OPERATING CHARACTERISTICS AT $T_A = 25^\circ\text{C}$						
SYMBOL	PARAMETER	COLOR	MIN	TYP	MAX	UNITS TEST COND.
$I_F$	FORWARD CURRENT	RED		10	20	mA $V_F = 5\text{V}$
		YELLOW		10	20	
		GREEN		10	20	
$V_R$	ALL		5			V $I_R = 100\mu\text{A}$
$\lambda_{PK}$	PEAK WAVELENGTH	RED		635		nm MEASURED AT PEAK
		YELLOW		585		
		GREEN		565		
$I_V$	LUMINOUS INTENSITY	RED	8.7	29		mc d $V_F = 5\text{V}$
		YELLOW	3.7	12.6		
		GREEN	5.6	19		

THIS DRAWING AND THE CONTENTS HEREIN ARE CONFIDENTIAL AND THE SOLE PROPERTY OF DIALIGHT. REPRODUCTION OF THIS DRAWING OR CONSTRUCTION OF ANY PARTS WITHIN THIS DRAWING ARE FORBIDDEN WITHOUT THE WRITTEN CONSENT OF DIALIGHT.		
SCALE: DRAWING SCALE	DRAWING NUMBER	REV
ALL DIM'S IN: INCHES (MM)	C-17277	F
TOLERANCES: UNLESS OTHERWISE SPECIFIED	TITLE 3mm LED BI-LEVEL CBI	
FRACTIONS: $\pm 1/64$	RoHS COMPLIANT	
DECIMALS (.XX): $\pm .02$	MATERIAL	
DECIMALS (.XXX): $\pm .015$	FINISH:	
DECIMALS (.XXXX): $\pm .0005$	Dialight	
ANGLES: $\pm 1^\circ$	1501 ROUTE 34 SOUTH	
FSCM 83330	FARMINGDALE, NJ 07727	
	SHEET 1 OF 1 FAMILY TABLES:	

## Looking for pricing, stock, or lifecycle information?

Click below to explore more details on WIN SOURCE:

 [View 5530132F on WIN SOURCE](#)

 [Dialight Information](#)

## Optimize Your Supply Chain with WIN SOURCE Solutions

-  Global Sourcing Solution
-  Obsolete Management
-  Cost Control Management
-  Shortage Management
-  Alternative Solution
-  Excess Inventory Management