



**THE DATASHEET OF
GC355XD72W564KX05L**



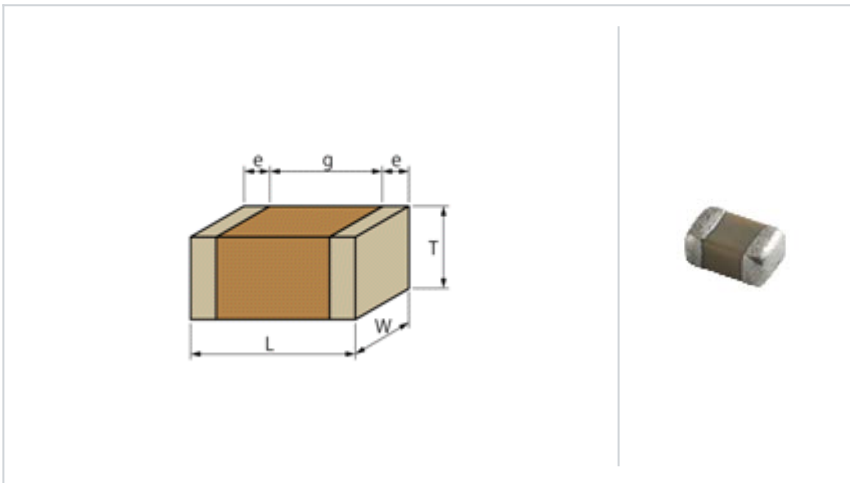
GC355XD72W564KX05#

“ # ” indicates a package specification code.

- Recommended
- Reflow OK
- Complies with RoHS
- AEC-Q200
- Anti-noise

< List of part numbers with package codes >
GC355XD72W564KX05L

Shape



L size	5.7 ± 0.4 mm
W size	5.0 ± 0.4 mm
T size	2.7 +0/-0.3 mm
External terminal width e	0.3 mm min.
Distance between external terminals g	3.2 mm
Size code in inch(mm)	2220 (5750)

Notes

Large Capacitance and High Allowable Ripple Current

References

Packaging	Specifications
L	φ 180 mm Embossed taping

Specifications

Capacitance	0.56 μF ± 10%
Rated voltage	450Vdc
Temperature characteristics (complied standard)	X7T(EIA)
Capacitance change rate	+22/-33%
Temperature range of temperature characteristics	-55 to 125°C
Operating temperature range	-55 to 125°C

Looking for pricing, stock, or lifecycle information?

Click below to explore more details on WIN SOURCE:

- ⊖ [View GC355XD72W564KX05L on WIN SOURCE](#)
- ⊖ [Murata Electronics North America Information](#)

Optimize Your Supply Chain with WIN SOURCE Solutions

- ✓ Global Sourcing Solution
- ✓ Obsolete Management
- ✓ Cost Control Management
- ✓ Shortage Management
- ✓ Alternative Solution
- ✓ Excess Inventory Management