

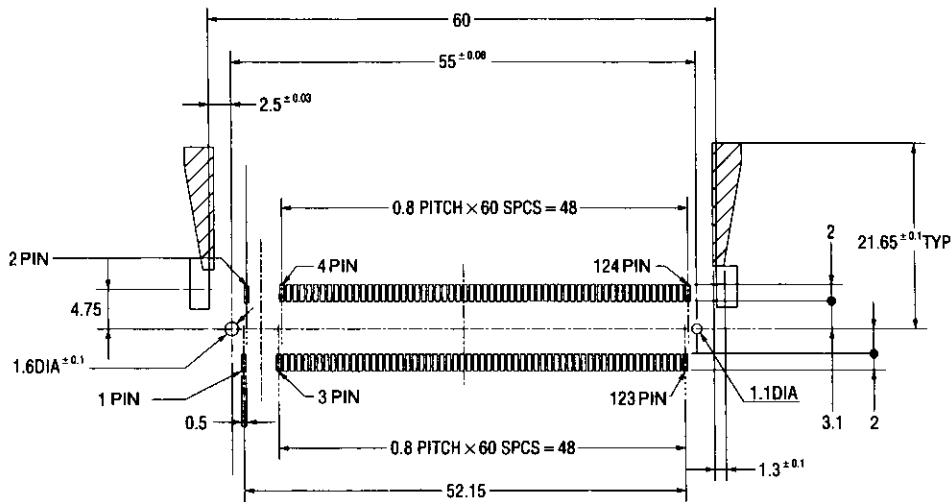
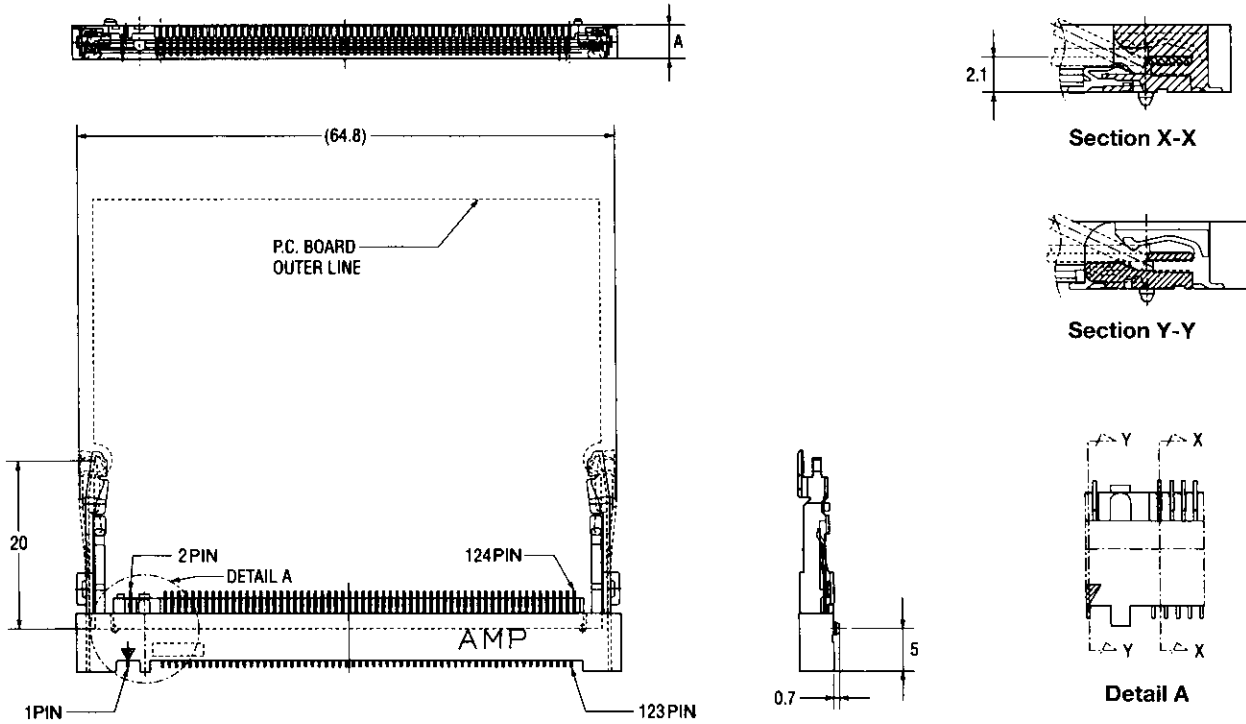


THE DATASHEET OF
1318228-1



Sockets

Mini PCI Socket



PC Board Layout

No. of Pos.	Dimension A	P/N of Semi-hard Tray Packaged (Qty.)	P/N (Emboss tape mounted) (Qty.)
124	4.0	1318228-1 (20)	1318644-1 (270)
124	5.2	1318916-1 (20)	—

2

Looking for pricing, stock, or lifecycle information?

Click below to explore more details on WIN SOURCE:

 [View 1318228-1 on WIN SOURCE](#)

 [TE Connectivity](#) Information

Optimize Your Supply Chain with WIN SOURCE Solutions

-  Global Sourcing Solution
-  Obsolete Management
-  Cost Control Management
-  Shortage Management
-  Alternative Solution
-  Excess Inventory Management