



# THE DATASHEET OF

# 4312



## Panel Mount Lenses for T-1 3/4 (5mm) LEDs

### Description and Features

#### Series 4311, 4312, 4313, 4315, 4316, 4317

- These lenses provide quick and economical panel mounting, plus electrostatic discharge protection, for T-1 3/4 high dome LEDs. Molded-in Fresnel rings spread light evenly, provide wide viewing angle viewing (up to 180°) and bright attractive appearance. Use with narrow-beam LED series 4305H, 4308H and 4310H.

Material: Polycarbonate

Mounting Hole: Snap into Ø.248-.248 hole in panels .060-.130 thick.

| MODEL | LENS COLOR |
|-------|------------|
| 4311  | Red        |
| 4312  | Clear      |
| 4313  | Amber      |
| 4315  | Green      |
| 4316  | Blue       |
| 4317  | Yellow     |

#### Series 4321, 4323, 4322, 4325, 4326, 4327

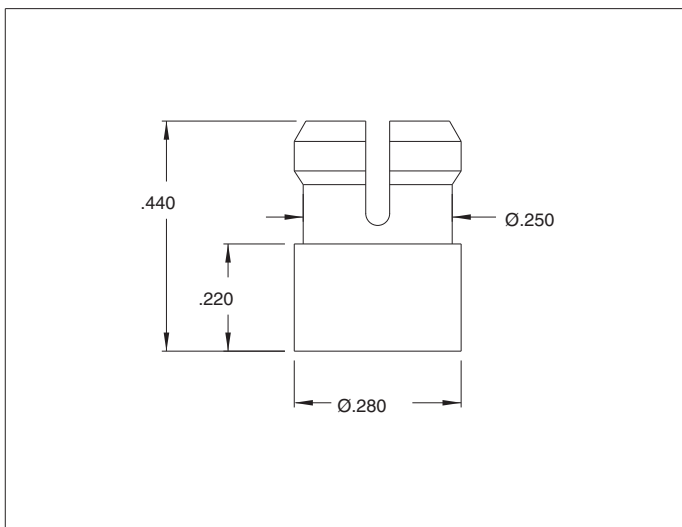
- These lenses provide quick and economical panel mounting, plus electrostatic discharge protection, for T-1 3/4 high dome LEDs. Molded-in Fresnel rings spread light evenly, provide wide viewing angle viewing (up to 180°) and bright attractive appearance. Use with narrow-beam LED series 4305H, 4308H and 4310H.

Material: Polycarbonate

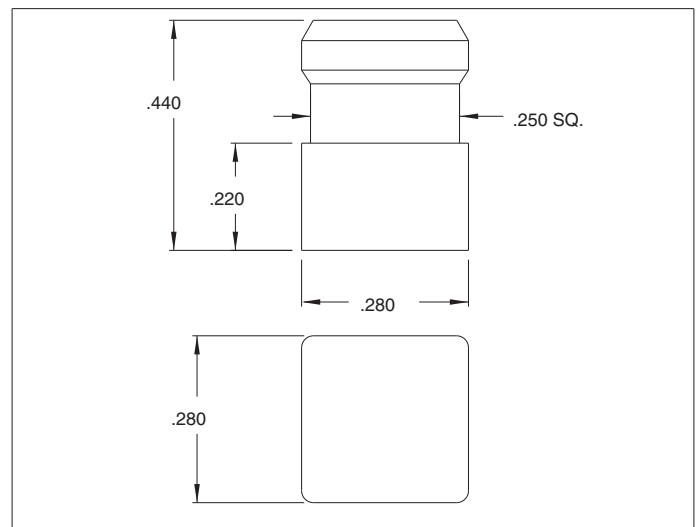
Mounting Hole: Snap into .248-.248 square hole in panels .060-.130 thick. Square lenses may also be gang mounted in slotted hole .280 times number of lenses minus .030 long.

| MODEL | LENS COLOR |
|-------|------------|
| 4321  | Red        |
| 4322  | Clear      |
| 4323  | Amber      |
| 4325  | Green      |
| 4326  | Blue       |
| 4327  | Yellow     |

### Outline Dimensions



### Outline Dimensions



All dimensions in inches.

## Looking for pricing, stock, or lifecycle information?

Click below to explore more details on WIN SOURCE:

- ⊖ [View 4312 on WIN SOURCE](#)
- ⊖ [Visual Communications Company - VCC Information](#)

## Optimize Your Supply Chain with WIN SOURCE Solutions

- ✓ Global Sourcing Solution
- ✓ Obsolete Management
- ✓ Cost Control Management
- ✓ Shortage Management
- ✓ Alternative Solution
- ✓ Excess Inventory Management