



**THE DATASHEET OF
DB-5R5D105T**

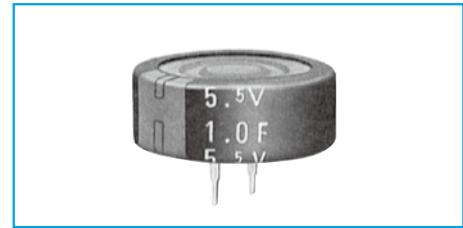


5.5V Standard Capacitors Series DB

GREEN CAP

70°C

- Small-sized, large capacity, excellent voltage holding.
- For all ratings, uniform 5mm pitch of terminal spacing.
- Wider temperature range (-25 to +70°C) than battery.
- $\phi 21.5 \times 7.5L$ size can encase up to 1.5F.
- Ideal for backing up of CMOS's, IC's, microcomputers, RAM's, RTC's and the like used in Video's, tuners, TV sets, telephone sets and others.



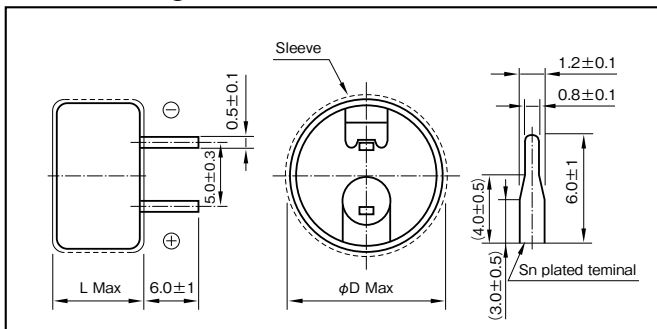
Marking color : White print on an indigo sleeve

Specifications

| Item | Performance | | | | | | | | |
|---|---|--|-----|------|------|--------------------|--------------------|----|-----|
| Category temperature range (°C) | -25 to +70 | | | | | | | | |
| Tolerance at rated capacitance (%) | -20 to +80 | | | | | | | | |
| Internal resistance at 1 kHz | Rated capacitance (F) | 0.047 | 0.1 | 0.22 | 0.33 | 0.47 | 0.47 | 1 | 1.5 |
| | Internal resistance (Ω Max.) | 120 | 75 | 75 | 75 | 75 ($\phi 13.5$) | 30 ($\phi 21.5$) | 30 | 30 |
| Characteristics at high and low temperature | Percentage of capacitance change | Within $\pm 30\%$ of the value at 20°C | | | | | | | |
| | Internal resistance | Less than five times of the value at 20°C | | | | | | | |
| Endurance (70°C) | Test time | 1000 hours | | | | | | | |
| | Percentage of capacitance change | Within $\pm 30\%$ of the initial measured value | | | | | | | |
| | Internal resistance | Within four times of the initial specified value | | | | | | | |
| Shelf life (70°C) | Test time : 1000 hours ; Same as endurance. | | | | | | | | |
| Applicable standards | Conforms to JIS C5160-1 2009 (IEC 62391-1 2006) | | | | | | | | |

Outline Drawing

Unit : mm



Standard Ratings

| Max. operating voltage (V) | Rated capacitance (F) | ELNA Parts No. | $\phi D \times L$ (mm) |
|----------------------------|-----------------------|----------------|------------------------|
| 5.5 | 0.047 | DB-5R5D473T | 13.5×7.5 |
| 5.5 | 0.1 | DB-5R5D104T | 13.5×7.5 |
| 5.5 | 0.22 | DB-5R5D224T | 13.5×7.5 |
| 5.5 | 0.33 | DB-5R5D334T | 13.5×7.5 |
| 5.5 | 0.47 | DB-5R5D474ST | 13.5×7.5 |
| 5.5 | 0.47 | DB-5R5D474T | 21.5×8.0 |
| 5.5 | 1 | DB-5R5D105T | 21.5×8.0 |
| 5.5 | 1.5 | DB-5R5D155T | 21.5×8.0 |

Part numbering system (example : 5.5V0.1F)

| | | | | | | |
|-------------|---|-------------------------------|---------------|--------------------------|-----------|-------------------|
| DB | — | 5R5 | D | 104 | \square | T |
| Series code | | Max. operating voltage symbol | Terminal code | Rated capacitance symbol | | Additional symbol |

Part number is refer to above table.

5.5V Low Resistance Series DBN

GREEN CAP

70°C

Low ESR

- Internal resistance was reduced to 85% to DB series.
- It excels in rapid charge.(It can charge and discharge with 1.5 times as much current (mA) as rated capacitance.)

Specifications

| Item | Performance | | | | | | | | |
|---|---|--|-----|------|------|--------------------|--------------------|----|-----|
| Category temperature range (°C) | -25 to +70 | | | | | | | | |
| Tolerance at rated capacitance (%) | -20 to +80 | | | | | | | | |
| Internal resistance at 1 kHz | Rated capacitance (F) | 0.047 | 0.1 | 0.22 | 0.33 | 0.47 | 0.47 | 1 | 1.5 |
| | Internal resistance (Ω) | 25 | 25 | 25 | 25 | 25 ($\phi 13.5$) | 20 ($\phi 21.5$) | 20 | 20 |
| Characteristics at high and low temperature | Percentage of capacitance change | Within $\pm 30\%$ of the value at 20°C | | | | | | | |
| | Internal resistance | Less than five times of the value at 20°C | | | | | | | |
| Endurance (70°C) | Test time | 1000 hours | | | | | | | |
| | Percentage of capacitance change | Within $\pm 30\%$ of the initial measured value | | | | | | | |
| | Internal resistance | Within four times of the initial specified value | | | | | | | |
| Shelf life (70°C) | Test time : 1000 hours ; Same as endurance. | | | | | | | | |
| Applicable standards | Conforms to JIS C5160-1 2009 (IEC 62391-1 2006) | | | | | | | | |

Standard Ratings

| Max. operating voltage (V) | Rated capacitance (F) | ELNA Parts No. | $\phi D \times L$ (mm) |
|----------------------------|-----------------------|----------------|------------------------|
| 5.5 | 0.047 | DBN-5R5D473T | 13.5×7.5 |
| 5.5 | 0.1 | DBN-5R5D104T | 13.5×7.5 |
| 5.5 | 0.22 | DBN-5R5D224T | 13.5×7.5 |
| 5.5 | 0.33 | DBN-5R5D334T | 13.5×7.5 |
| 5.5 | 0.47 | DBN-5R5D474ST | 13.5×7.5 |
| 5.5 | 0.47 | DBN-5R5D474T | 21.5×8.0 |
| 5.5 | 1 | DBN-5R5D105T | 21.5×8.0 |
| 5.5 | 1.5 | DBN-5R5D155T | 21.5×8.0 |

Part numbering system (example : 5.5V0.047F)

| | | | | | | |
|-------------|---|-------------------------------|---------------|--------------------------|-----------|-------------------|
| DBN | — | 5R5 | D | 473 | \square | T |
| Series code | | Max. operating voltage symbol | Terminal code | Rated capacitance symbol | | Additional symbol |

Part number is refer to left table.

NOTE : Design, Specifications are subject to change without notice. It is recommended that you shall obtain technical specifications from ELNA to ensure that the component is suitable for your use.

Looking for pricing, stock, or lifecycle information?

Click below to explore more details on WIN SOURCE:

 [View DB-5R5D105T on WIN SOURCE](#)

 [Elna America](#) Information

Optimize Your Supply Chain with WIN SOURCE Solutions

-  Global Sourcing Solution
-  Obsolete Management
-  Cost Control Management
-  Shortage Management
-  Alternative Solution
-  Excess Inventory Management