



**THE DATASHEET OF
AD4115BCPZ-RL7**



FEATURES**24-bit ADC with integrated AFE****Fast and flexible output rate: 2.5 SPS to 125 kSPS****Channel scan data rate of 24,845 SPS per channel
(40.25 μ s settling)****85 dB common mode rejection of 50 Hz and 60 Hz at
20 SPS per channel** **± 10 V inputs, either 8 differential or 16 single-ended****VIN pin absolute maximum rating ± 65 V****Absolute input pin voltage up to ± 20 V****Minimum 1 M Ω impedance****On-chip 2.5 V reference** **$\pm 0.12\%$ initial accuracy at 25°C, ± 5 ppm/°C (typical) drift****Internal or external clock****Power supplies****AVDD = 4.5 V to 5.5 V****IOVDD = 2 V to 5.5 V****Total current consumption AVDD + IOVDD (I_{DD}) = 10.4 mA****Temperature range: -40°C to $+105^{\circ}\text{C}$** **3-wire or 4-wire serial digital interface (Schmitt trigger on SCLK)****SPI, QSPI, MICROWIRE, and DSP compatible****APPLICATIONS****Process control****Programmable logic controller (PLC) and distributed control
system (DCS) modules****Instrumentation and measurement****GENERAL DESCRIPTION**

The AD4115 is a low power, low noise, 24-bit, sigma-delta (Σ - Δ) analog-to-digital converter (ADC) that integrates an analog front end (AFE) for eight fully differential or 16 single-ended, high impedance (≥ 1 M Ω), bipolar, ± 10 V voltage inputs.

The AD4115 integrates key analog and digital signal conditioning blocks to configure eight individual setups for each analog input channel in use. The AD4115 features a maximum channel scan rate of 24,845 kSPS (40.25 μ s) for fully settled data.

The embedded 2.5 V, low drift (± 5 ppm/°C), band gap internal reference (with output reference buffer) reduces the external component count.

The digital filter allows flexible settings, including simultaneous 50 Hz and 60 Hz rejection at a 27.27 SPS output data rate. The user can select different filter settings depending on the requirements of each channel in the application. The automatic channel sequencer enables the ADC to switch through each enabled channel.

The precision performance of the AD4115 is achieved by integrating the proprietary *iPassives*[®] technology from Analog Devices, Inc. The AD4115 is factory calibrated to achieve a high degree of specified accuracy.

The AD4115 operates with a single power supply that allows simplified use in galvanically isolated applications. The specified operating temperature range is -40°C to $+105^{\circ}\text{C}$. The AD4115 is housed in a 40-lead, 6 mm \times 6 mm LFCSP.

TABLE OF CONTENTS

| | | | |
|---|----|--|----|
| Features | 1 | Calibration Modes | 32 |
| Applications | 1 | Digital Interface | 33 |
| General Description | 1 | Checksum Protection | 33 |
| Revision History | 3 | CRC Calculation..... | 34 |
| Functional Block Diagram | 4 | Integrated Functions..... | 36 |
| Specifications | 5 | General-Purpose Input/Output | 36 |
| Timing Characteristics | 7 | External Multiplexer Control..... | 36 |
| Absolute Maximum Ratings | 9 | Delay | 36 |
| Thermal Resistance | 9 | 16-Bit and 24-Bit Conversions | 36 |
| Electrostatic Discharge (ESD) Ratings | 9 | DOUT_RESET | 36 |
| ESD Caution..... | 9 | Synchronization | 36 |
| Pin Configuration and Function Descriptions | 10 | Error Flags..... | 37 |
| Typical Performance Characteristics..... | 12 | DATA_STAT Function..... | 37 |
| Theory of Operation | 15 | IOSTRENGTH Function | 37 |
| Power Supplies..... | 16 | Internal Temperature Sensor | 38 |
| Digital Communication | 16 | Applications Information | 39 |
| AD4115 Reset..... | 16 | Grounding and Layout..... | 39 |
| Configuration Overview..... | 18 | Register Summary | 40 |
| Noise Performance and Resolution | 21 | Register Details | 42 |
| Circuit Description..... | 23 | Communications Register | 42 |
| Multiplexer | 23 | Status Register..... | 43 |
| Voltage Inputs..... | 23 | ADC Mode Register..... | 44 |
| Absolute Input Pin Voltages..... | 24 | Interface Mode Register | 45 |
| Data Output Coding | 24 | Register Check..... | 46 |
| AD4115 Reference Options | 24 | Data Register..... | 46 |
| Buffered Reference Input | 25 | GPIO Configuration Register..... | 47 |
| Clock Source | 25 | ID Register | 48 |
| Digital Filter | 27 | Channel Register 0 to Channel Register 15 | 48 |
| Sinc5 + Sinc1 Filter | 27 | Setup Configuration Register 0 to Setup Configuration Register 7 | 49 |
| Sinc3 Filter..... | 27 | Filter Configuration Register 0 to Filter Configuration Register 7 | 50 |
| Single-Cycle Settling Mode..... | 27 | Offset Register 0 to OFFSET Register 7 | 51 |
| Enhanced 50 Hz and 60 Hz Rejection Filters..... | 28 | Gain Register 0 to Gain Register 7 | 51 |
| Operating Modes..... | 30 | Outline Dimensions..... | 52 |
| Continuous Conversion Mode..... | 30 | Ordering Guide | 52 |
| Continuous Read Mode | 30 | | |
| Single Conversion Mode | 30 | | |
| Standby Mode and Power-Down Mode | 32 | | |

REVISION HISTORY

11/2020—Rev. 0 to Rev. A

Changes to General Description Section 1
Change to Total Unadjusted Error (TUE) Parameter,
Table 1.....5
Changes to Table 16 and Table 1721
Changes to Table 30.....50

7/2020—Revision 0: Initial Version

FUNCTIONAL BLOCK DIAGRAM

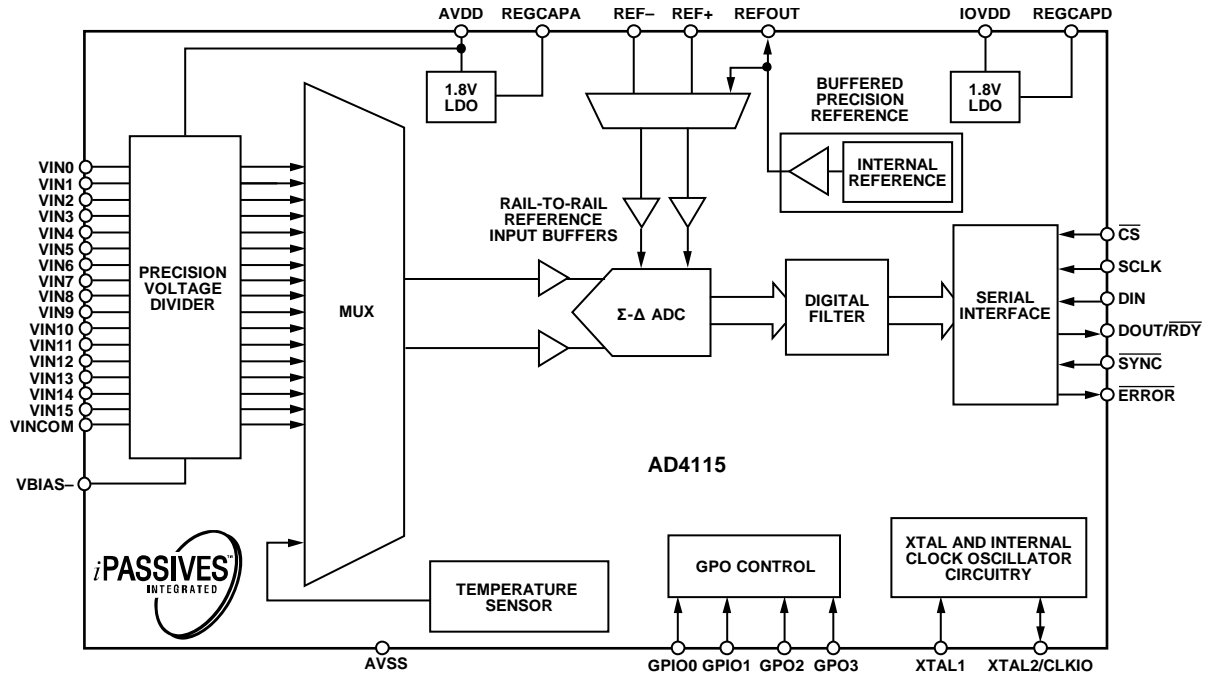


Figure 1.

23874-001

SPECIFICATIONS

AVDD = 4.5 V to 5.5 V, IOVDD = 2 V to 5.5 V, AVSS = 0 V, DGND = 0 V, VBIAS- = 0 V, REF+ = 2.5 V, REF- = AVSS, internal master clock (MCLK) = 8 MHz, $T_A = T_{MIN}$ to T_{MAX} (-40°C to +105°C), unless otherwise noted. V_{REF} is the reference voltage, FS is full scale, and FSR is full-scale range.

Table 1.

| Parameter | Test Conditions/Comments | Min | Typ | Max | Unit |
|---|--|----------------------|-------|----------------------|--------|
| VOLTAGE INPUTS | | | | | |
| Differential Input Voltage Range ¹ | Specified performance | -10 | | +10 | V |
| | Functional | $-V_{REF} \times 10$ | | $+V_{REF} \times 10$ | V |
| Absolute Input Pin Voltage | | -20 | | +20 | V |
| Input Impedance | | 1 | | | MΩ |
| Offset Error ² | $T_A = 25^\circ\text{C}$ | | ±1.5 | | mV |
| Offset Drift | | | ±8 | | μV/°C |
| Gain Error | $T_A = 25^\circ\text{C}$ | | ±0.05 | | % FS |
| Gain Drift | | | ±1 | | ppm/°C |
| Integral Nonlinearity (INL) | | | ±0.01 | | % FSR |
| Total Unadjusted Error (TUE) ³ | $T_A = 25^\circ\text{C}$, internal V_{REF} | | | 0.07 | % FSR |
| | 0°C to 105°C, internal V_{REF} | | | 0.09 | % FSR |
| | -40°C to +105°C, internal V_{REF} | | | 0.12 | % FSR |
| | 25°C, external V_{REF} | | | 0.07 | % FSR |
| | -40°C to +105°C, external V_{REF} | | | 0.08 | % FSR |
| Power Supply Rejection Ratio (PSRR) | AVDD for input voltage (V_{IN}) = 1 V | | 70 | | dB |
| Common-Mode Rejection Ratio (CMRR) | $V_{IN} = 1$ V | | | | |
| At DC | | | 85 | | dB |
| At 50 Hz and 60 Hz | 20 Hz output data rate (postfilter), 50 Hz ± 1 Hz and 60 Hz ± 1 Hz | | 120 | | dB |
| Normal Mode Rejection ³ | 50 Hz ± 1 Hz and 60 Hz ± 1 Hz | | | | |
| | Internal clock, 20 SPS ODR (postfilter) | 71 | 90 | | dB |
| | External clock, 20 SPS ODR (postfilter) | 85 | 90 | | dB |
| Resolution | See Table 16 and Table 17 | | | | |
| Noise | See Table 16 and Table 17 | | | | |
| ADC SPEED AND PERFORMANCE | | | | | |
| ADC Output Data Rate (ODR) | One channel, see Table 16 | 2.5 | | 125,000 | SPS |
| No Missing Codes ³ | Excluding sinc3 filter ≥ 62.5 kHz notch | 24 | | | Bits |
| INTERNAL REFERENCE | | | | | |
| Output Voltage | 100 nF external capacitor to AVSS REFOUT with respect to AVSS | | 2.5 | | V |
| Initial Accuracy ^{3,4} | REFOUT, $T_A = 25^\circ\text{C}$ | -0.12 | | +0.12 | % |
| Temperature Coefficient | | | ±5 | +12 | ppm/°C |
| Reference Load Current (I_{LOAD}) | | -10 | | +10 | mA |
| PSRR | AVDD (line regulation) | | 95 | | dB |
| Load Regulation ($\Delta V_{OUT}/\Delta I_{LOAD}$) ⁵ | | | 32 | | ppm/mA |
| Voltage Noise (e_n) | 0.1 Hz to 10 Hz, 2.5 V reference | | 4.5 | | μV rms |
| Voltage Noise Density | 1 kHz, 2.5 V reference | | 215 | | nV/√Hz |
| Turn On Settling Time | 100 nF REFOUT capacitor | | 200 | | μs |
| Short-Circuit Current (I_{SC}) | | | 25 | | mA |
| EXTERNAL REFERENCE INPUTS | | | | | |
| Differential Input Range | $V_{REF} = (REF+) - (REF-)$ | 1 | 2.5 | AVDD | V |
| Absolute Voltage Limits | | | | | |
| Buffers Disabled | | AVSS - 0.05 | | AVDD + 0.05 | V |
| Buffers Enabled | | AVSS | | AVDD | V |
| External Reference Input Current | | | | | |

| Parameter | Test Conditions/Comments | Min | Typ | Max | Unit |
|---|--|---|------------|---------------------|-------------------------|
| Buffers Disabled Input Current Input Current Drift | External clock Internal clock | | ±36 | | µA/V |
| Buffers Enabled Input Current Input Current Drift | | | ±1.2 ±3 | | nA/V/°C nA/V/°C |
| Normal Mode Rejection CMRR | | | 95 | | dB |
| TEMPERATURE SENSOR Accuracy Sensitivity | After user calibration at 25°C | | ±2 477 | | °C µV/K |
| GENERAL-PURPOSE OUTPUTS (GPIO0, GPIO1, GPO2, GPO3) Floating State Output Capacitance Output Voltage ³ High (V _{OH}) Low (V _{OL}) | With respect to AVSS Source current (I _{SOURCE}) = 200 µA Sink current (I _{SINK}) = 800 µA | | 5 | | pF |
| CLOCK Internal Clock Frequency Accuracy Duty Cycle Output Voltage V _{OH} V _{OL} Crystal Frequency Start-Up Time External Clock (CLKIO) Duty Cycle | | | 8 50 | | MHz % % |
| LOGIC INPUTS Input Voltage ³ High (V _{INH}) Low (V _{INL}) Hysteresis Leakage Current | 2 V ≤ IOVDD < 2.3 V 2.3 V ≤ IOVDD ≤ 5.5 V 2 V ≤ IOVDD < 2.3 V 2.3 V ≤ IOVDD ≤ 5.5 V IOVDD ≥ 2.7 V IOVDD < 2.7 V | 0.65 × IOVDD 0.7 × IOVDD | | 0.35 × IOVDD 0.7 | V V V V |
| LOGIC OUTPUT (DOUT/RDY) Output Voltage ³ V _{OH} V _{OL} Leakage Current ³ Output Capacitance | IOVDD ≥ 4.5 V, I _{SOURCE} = 1 mA 2.7 V ≤ IOVDD < 4.5 V, I _{SOURCE} = 500 µA IOVDD < 2.7 V, I _{SOURCE} = 200 µA IOVDD ≥ 4.5 V, I _{SINK} = 2 mA 2.7 V ≤ IOVDD < 4.5 V, I _{SINK} = 1 mA IOVDD < 2.7 V, I _{SINK} = 400 µA Floating state Floating state | 0.8 × IOVDD 0.8 × IOVDD 0.8 × IOVDD | | 0.4 0.4 0.4 | V V V µA pF |
| POWER REQUIREMENTS Power Supply Voltage | | | | | |

| Parameter | Test Conditions/Comments | Min | Typ | Max | Unit |
|------------------------------------|---|-------|-----|------|------|
| AVDD to AVSS | | 4.5 | | 5.5 | V |
| AVSS to DGND | | -2.75 | | 0 | V |
| IOVDD to DGND | | 2 | | 5.5 | V |
| IOVDD to AVSS | For AVSS < DGND | | | 6.35 | V |
| POWER SUPPLY CURRENTS ⁶ | All outputs unloaded, digital inputs connected to IOVDD or DGND | | | | |
| Full Operating Mode | | | | | |
| AVDD Current | Including internal reference | | 9.4 | 11.5 | mA |
| IOVDD Current | Internal clock | | 1.4 | 1.8 | mA |
| Standby Mode | All V _{IN} = 0 V | | 210 | | μA |
| Power-Down Mode | All V _{IN} = 0 V | | 185 | | μA |
| POWER DISSIPATION | | | | | |
| Full Operating Mode | | | 52 | | mW |
| Standby Mode | | | 1 | | mW |
| Power-Down Mode | | | 925 | | μW |

¹ The full specification is guaranteed for a differential input signal of ± 10 V. The device is functional up to a differential input signal of $\pm V_{REF} \times 10$. However, the specified absolute pin voltage must not be exceeded for the proper function.

² Following a system zero-scale calibration, the offset error is in the order of the noise for the programmed output data rate selected.

³ Specification is not production tested but is supported by characterization data at the initial product release.

⁴ This specification includes moisture sensitivity level (MSL) preconditioning effects.

⁵ V_{OUT} is the output voltage.

⁶ This specification is with no load on the REFOUT pin and the digital output pins.

TIMING CHARACTERISTICS

IOVDD = 2 V to 5.5 V, DGND = 0 V, Input Logic 0 = 0 V, Input Logic 1 = IOVDD, capacitive load (C_{LOAD}) = 20 pF, unless otherwise noted.

Table 2.

| Parameter ^{1, 2} | Limit at T _{MIN} or T _{MAX} | Unit | Test Conditions/Comments |
|-----------------------------|---|--------|--|
| SCLK | | | |
| t ₃ | 25 | ns min | SCLK high pulse width |
| t ₄ | 25 | ns min | SCLK low pulse width |
| READ OPERATION | | | |
| t ₁ | 0 | ns min | \overline{CS} falling edge to DOUT/ \overline{RDY} active time |
| | 15 | ns max | IOVDD = 4.75 V to 5.5 V |
| | 40 | ns max | IOVDD = 2 V to 3.6 V |
| t ₂ ³ | 0 | ns min | SCLK active edge to data valid delay ⁴ |
| | 12.5 | ns max | IOVDD = 4.75 V to 5.5 V |
| | 25 | ns max | IOVDD = 2 V to 3.6 V |
| t ₅ ⁵ | 2.5 | ns min | Bus relinquish time after \overline{CS} inactive edge |
| | 20 | ns max | |
| t ₆ | 0 | ns min | SCLK inactive edge to \overline{CS} inactive edge |
| t ₇ | 10 | ns min | SCLK inactive edge to DOUT/ \overline{RDY} high/low |
| WRITE OPERATION | | | |
| t ₈ | 0 | ns min | \overline{CS} falling edge to SCLK active edge setup time ⁴ |
| t ₉ | 8 | ns min | Data valid to SCLK edge setup time |
| t ₁₀ | 8 | ns min | Data valid to SCLK edge hold time |
| t ₁₁ | 5 | ns min | \overline{CS} rising edge to SCLK edge hold time |

¹ Sample tested during initial release to ensure compliance.

² See Figure 2 and Figure 3.

³ This parameter is defined as the time required for the output to cross the V_{OL} or V_{OH} limit.

⁴ The SCLK active edge is the falling edge of SCLK.

⁵ DOUT/ \overline{RDY} returns high after a data register read. In single conversion mode and continuous conversion mode, the same data can be read again, if required, while DOUT/ \overline{RDY} is high. Ensure that subsequent reads do not occur close to the next output update. If the continuous read feature is enabled, the digital word can be read only once.

Timing Diagrams

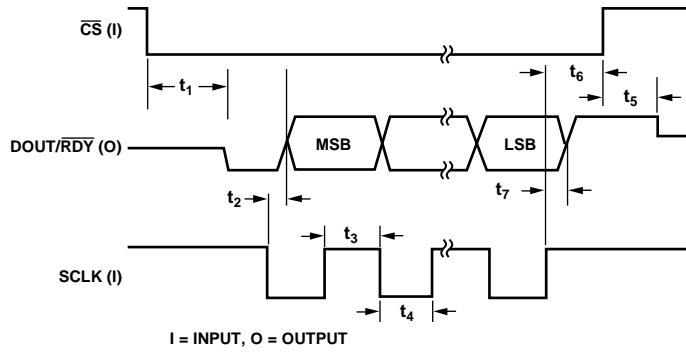


Figure 2. Read Cycle Timing Diagram

23874-002

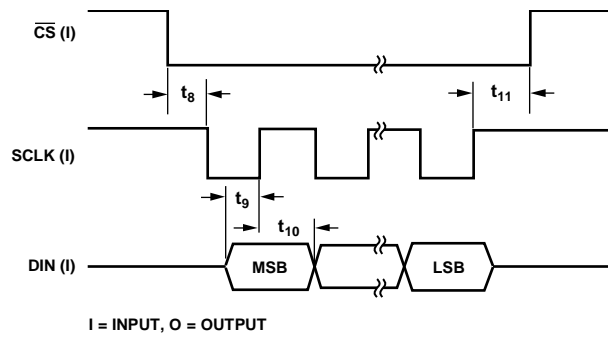


Figure 3. Write Cycle Timing Diagram

23874-003

ABSOLUTE MAXIMUM RATINGS

$T_A = 25^\circ\text{C}$, unless otherwise noted.

Table 3.

| Parameter | Rating |
|------------------------------------|-------------------------|
| AVDD to AVSS | -0.3 V to +6.5 V |
| AVDD to DGND | -0.3 V to +6.5 V |
| IOVDD to DGND | -0.3 V to +6.5 V |
| IOVDD to AVSS | -0.3 V to +7.5 V |
| AVSS to DGND | -3.25 V to +0.3 V |
| VINx to AVSS | -65 V to +65 V |
| Reference Input Voltage to AVSS | -0.3 V to AVDD + 0.3 V |
| Digital Input Voltage to DGND | -0.3 V to IOVDD + 0.3 V |
| Digital Output Voltage to DGND | -0.3 V to IOVDD + 0.3 V |
| Digital Input Current | 10 mA |
| Operating Temperature Range | -40°C to +105°C |
| Storage Temperature Range | -65°C to +150°C |
| Maximum Junction Temperature | 150°C |
| Lead Soldering, Reflow Temperature | 260°C |

Stresses at or above those listed under Absolute Maximum Ratings may cause permanent damage to the product. This is a stress rating only; functional operation of the product at these or any other conditions above those indicated in the operational section of this specification is not implied. Operation beyond the maximum operating conditions for extended periods may affect product reliability.

THERMAL RESISTANCE

Thermal performance is directly linked to printed circuit board (PCB) design and operating environment. Careful attention to PCB thermal design is required.

θ_{JA} is specified for the worst-case conditions, that is, a device soldered in a circuit board for surface-mount packages.

θ_{JC} is the thermal resistance from the junction to the package case.

Table 4. Thermal Resistance

| Package Type | θ_{JA} | θ_{JC} | Unit |
|-----------------------|-----------------|-------------------|------|
| CP-40-15 ¹ | 34 ² | 2.63 ³ | °C/W |

¹ 4-Layer JEDEC PCB.

² Thermal impedance simulated values are based on JEDEC 2S2P thermal test PCB with 16 thermal vias. θ_{JA} is specified for a device soldered on a JEDEC test PCB for surface-mount packages. See JEDEC JESD51.

³ A cold plate is attached to the PCB bottom and measured at the exposed paddle.

ELECTROSTATIC DISCHARGE (ESD) RATINGS

The following ESD information is provided for handling of ESD-sensitive devices in an ESD protected area only.

Human body model (HBM) per ANSI/ESDA/JEDEC JS-001.

Charged device model (CDM) per ANSI/ESDA/JEDEC JS-002.

ESD Ratings for AD4115

Table 5. AD4115, 40-Lead LFCSP

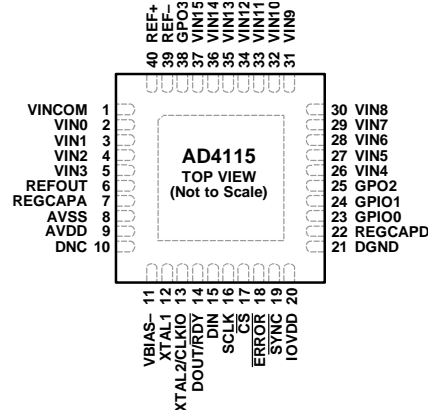
| ESD Model | Withstand Threshold (v) | Class |
|-----------|-------------------------|-------|
| HBM | ±1000 | 1C |
| CDM | ±1250 | C3 |

ESD CAUTION



ESD (electrostatic discharge) sensitive device. Charged devices and circuit boards can discharge without detection. Although this product features patented or proprietary protection circuitry, damage may occur on devices subjected to high energy ESD. Therefore, proper ESD precautions should be taken to avoid performance degradation or loss of functionality.

PIN CONFIGURATION AND FUNCTION DESCRIPTIONS



- NOTES
1. DNC = DO NOT CONNECT. DO NOT CONNECT ANYTHING TO DNC. DNC IS INTERNALLY CONNECTED TO AVSS.
 2. EXPOSED PAD. SOLDER THE EXPOSED PAD TO A SIMILAR PAD ON THE PCB THAT IS UNDER THE EXPOSED PAD TO CONFER MECHANICAL STRENGTH TO THE PACKAGE AND FOR HEAT DISSIPATION. THE EXPOSED PAD MUST BE CONNECTED TO AVSS THROUGH THIS PAD ON THE PCB.

23874-004

Figure 4. Pin Configuration

Table 6. Pin Function Descriptions

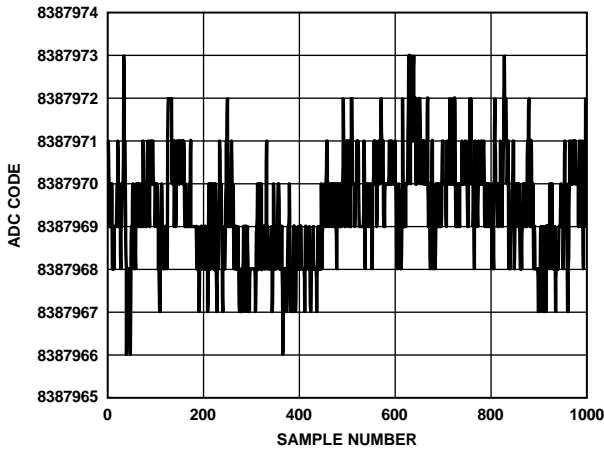
| Pin No. | Mnemonic ¹ | Type ² | Description |
|---------|-------------------------------|-------------------|---|
| 1 | VINCOM | AI | Voltage Input Common. Voltage inputs are referenced to VINCOM when the inputs are configured as single-ended. Connect VINCOM to analog ground. |
| 2 | VIN0 | AI | Voltage Input 0. VIN0 is either referenced to VINCOM in single-ended configuration or referenced to a positive input of an input pair with VIN1 in differential configuration. |
| 3 | VIN1 | AI | Voltage Input 1. VIN1 is either referenced to VINCOM in single-ended configuration or referenced to a negative input of an input pair with VIN0 in differential configuration. |
| 4 | VIN2 | AI | Voltage Input 2. VIN2 is either referenced to VINCOM in single-ended configuration or referenced to a positive input of an input pair with VIN3 in differential configuration. |
| 5 | VIN3 | AI | Voltage Input 3. VIN3 is either referenced to VINCOM in single-ended configuration or referenced to a negative input of an input pair with VIN2 in differential configuration. |
| 6 | REFOUT | AO | Internal Reference Buffered Output. The output is 2.5 V with respect to AVSS. Decouple REFOUT to AVSS using a 0.1 μ F capacitor. |
| 7 | REGCAPA | AO | Analog Low Dropout (LDO) Regulator Output. Decouple REGCAPA to AVSS using a 1 μ F capacitor and a 0.1 μ F capacitor. |
| 8 | AVSS | P | Negative Analog Supply. AVSS ranges from -2.75 V to 0 V and is nominally set to 0 V. |
| 9 | AVDD | P | Analog Supply Voltage. AVDD ranges from 3.0 V to 5.5 V with respect to AVSS. |
| 10 | DNC | N/A | Do Not Connect. Do not connect anything to DNC. DNC is internally connected to AVSS. |
| 11 | VBIAS- | AI | Voltage Bias Negative. VBIAS- sets the bias voltage for the voltage input AFE. Connect VBIAS- to AVSS. |
| 12 | XTAL1 | AI | Input 1 for Crystal. |
| 13 | XTAL2/CLKIO | AI/DI | Input 2 for Crystal/Clock Input or Output. See the CLOCKSEL bit settings in the ADC Mode Register section for more information. |
| 14 | DOUT/ $\overline{\text{RDY}}$ | DO | Serial Data Output/Data Ready Output. The DOUT/ $\overline{\text{RDY}}$ dual-purpose pin functions as a serial data output pin to access the output shift register on the ADC. The output shift register can contain data from any on-chip data or control registers. The data-word or control word information is placed on the DOUT/ $\overline{\text{RDY}}$ pin on the SCLK falling edge and is valid on the SCLK rising edge. When $\overline{\text{CS}}$ is high, the DOUT/ $\overline{\text{RDY}}$ output is tristated. When $\overline{\text{CS}}$ is low, and a register is not being read, DOUT/ $\overline{\text{RDY}}$ operates as a data ready pin and goes low to indicate the completion of a conversion. If the data is not read after the conversion, the pin goes high before the next update occurs. The DOUT/ $\overline{\text{RDY}}$ falling edge can be used as an interrupt to a processor that indicates that valid data is available. |
| 15 | DIN | DI | Serial Data Input to the Input Shift Register on the ADC. Data in the input shift register is transferred to the control registers on the ADC, and the register address (RA) bits of the communications register identify the appropriate register. Data is clocked in on the rising edge of SCLK. |
| 16 | SCLK | DI | Serial Clock Input. The SCLK serial clock input is used for data transfers to and from the ADC. SCLK has a Schmitt triggered input. |
| 17 | $\overline{\text{CS}}$ | DI | Chip Select Input. $\overline{\text{CS}}$ is an active low logic input used to select the ADC. Use $\overline{\text{CS}}$ to select the ADC in systems with more than one device on the serial bus. $\overline{\text{CS}}$ can be hardwired low to allow the ADC to |

| Pin No. | Mnemonic ¹ | Type ² | Description |
|---------|---------------------------|-------------------|---|
| 18 | $\overline{\text{ERROR}}$ | DI/O | operate in 3-wire mode with SCLK, DIN, and DOUT/RDY used to interface with the device. When CS is high, the DOUT/RDY output is tristated. Error Input/Output or General-Purpose Output. $\overline{\text{ERROR}}$ can be used in one of the following three modes: Active low error input mode. This mode sets the ADC_ERROR bit in the status register. Active low, open-drain error output mode. The status register error bits are mapped to the $\overline{\text{ERROR}}$ pin. The $\overline{\text{ERROR}}$ pins of multiple devices can be wired together to a common pull-up resistor so that an error on any device can be observed. General-purpose output mode. The status of the pin is controlled by the ERR_DAT bit in the GPIOCON register. $\overline{\text{ERROR}}$ is referenced between IOVDD and DGND. |
| 19 | $\overline{\text{SYNC}}$ | DI | Synchronization Input. $\overline{\text{SYNC}}$ allows digital filter and analog modulator synchronization when using multiple devices. |
| 20 | IOVDD | P | Digital Input/Output Supply Voltage. The IOVDD voltage ranges from 2 V to 5.5 V (nominal). IOVDD is independent of AVDD. For example, IOVDD operates at 3.3 V when AVDD equals 5 V, or vice versa. If AVSS is set to -2.5 V, the voltage on IOVDD must not exceed 3.6 V. |
| 21 | DGND | P | Digital Ground. |
| 22 | REGCAPD | AO | Digital LDO Regulator Output. REGCAPD is for decoupling purposes only. Decouple REGCAPD to DGND using a 1 μ F capacitor. |
| 23 | GPIO0 | DI/O | General-Purpose Input/Output 0. Logic input/output on GPIO0 is referred to the AVDD and AVSS supplies. |
| 24 | GPIO1 | DI/O | General-Purpose Input/Output 1. Logic input/output on GPIO1 is referred to the AVDD and AVSS supplies. |
| 25 | GPO2 | DO | General-Purpose Output 2. Logic output on GPO2 is referred to the AVDD and AVSS supplies. |
| 26 | VIN4 | AI | Voltage Input 4. VIN4 is either referenced to VINCOM in single-ended configuration or referenced to a positive input of an input pair with VIN5 in differential configuration. |
| 27 | VIN5 | AI | Voltage Input 5. VIN5 is either referenced to VINCOM in single-ended configuration or referenced to a negative input of an input pair with VIN4 in differential configuration. |
| 28 | VIN6 | AI | Voltage Input 6. VIN6 is either referenced to VINCOM in single-ended configuration or referenced to a positive input of an input pair with VIN7 in differential configuration. |
| 29 | VIN7 | AI | Voltage Input 7. VIN7 is either referenced to VINCOM in single-ended configuration or referenced to a negative input of an input pair with VIN6 in differential configuration. |
| 30 | VIN8 | AI | Voltage Input 8. VIN8 is either referenced to VINCOM in single-ended configuration or referenced to a positive input of an input pair with VIN9 in differential configuration. |
| 31 | VIN9 | AI | Voltage Input 9. VIN9 is either referenced to VINCOM in single-ended configuration or referenced to a negative input of an input pair with VIN8 in differential configuration. |
| 32 | VIN10 | AI | Voltage Input 10. VIN10 is either referenced to VINCOM in single-ended configuration or referenced to a positive input of an input pair with VIN11 in differential configuration. |
| 33 | VIN11 | AI | Voltage Input 11. VIN11 is either referenced to VINCOM in single-ended configuration or referenced to a negative input of an input pair with VIN10 in differential configuration. |
| 34 | VIN12 | AI | Voltage Input 12. VIN12 is either referenced to VINCOM in single-ended configuration or referenced to a positive input of an input pair with VIN13 in differential configuration. |
| 35 | VIN13 | AI | Voltage Input 13. VIN13 is either referenced to VINCOM in single-ended configuration or referenced to a negative input of an input pair with VIN12 in differential configuration. |
| 36 | VIN14 | AI | Voltage Input 14. VIN14 is either referenced to VINCOM in single-ended configuration or referenced to a positive input of an input pair with VIN15 in differential configuration. |
| 37 | VIN15 | AI | Voltage Input 15. VIN15 is either referenced to VINCOM in single-ended configuration or referenced to a negative input of an input pair with VIN14 in differential configuration. |
| 38 | GPO3 | DO | General-Purpose Output 3. Logic output on GPO3 is referred to the AVDD and AVSS supplies. |
| 39 | REF- | AI | Reference Input Negative Terminal. The REF- voltage can span from AVSS to AVDD - 1 V. The reference can be selected through the REF_SELx bits in the setup configuration registers. |
| 40 | REF+ | AI | Reference Input Positive Terminal. An external reference can be applied between REF+ and REF-. The REF+ voltage can span from AVDD to AVSS + 1 V. The reference can be selected through the REF_SELx bits in the setup configuration registers. |
| | EP | P | Exposed Pad. Solder the exposed pad to a similar pad on the PCB that is under the exposed pad to confer mechanical strength to the package and for heat dissipation. The exposed pad must be connected to AVSS through this pad on the PCB. |

¹ The dual function pin mnemonics are referenced by the relevant function only throughout this data sheet.

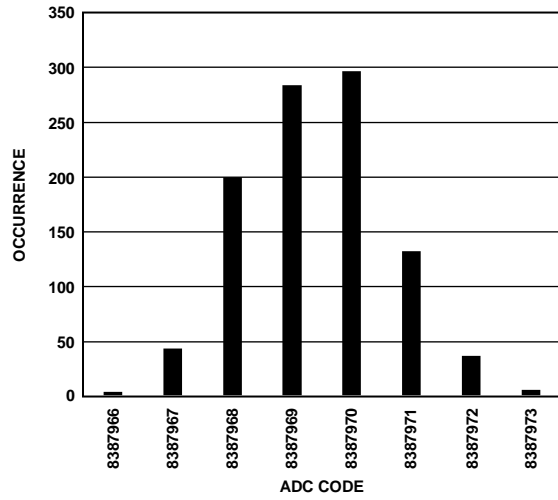
² AI is analog input, AO is analog output, P is power supply, N/A is not applicable, DI is digital input, DO is digital output, and DI/O is bidirectional digital input/output.

TYPICAL PERFORMANCE CHARACTERISTICS



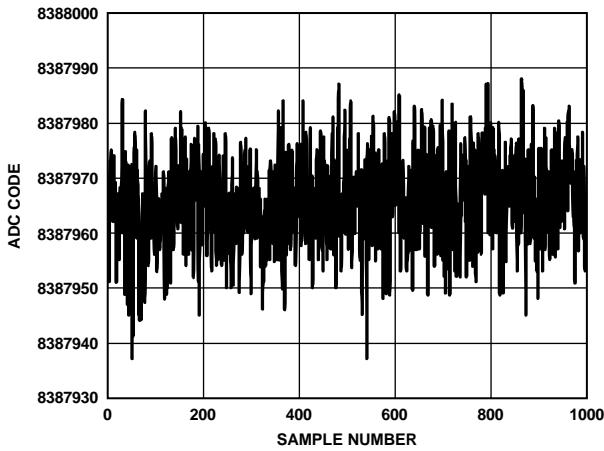
23874-205

Figure 5. Noise (Output Data Rate = 2.5 SPS)



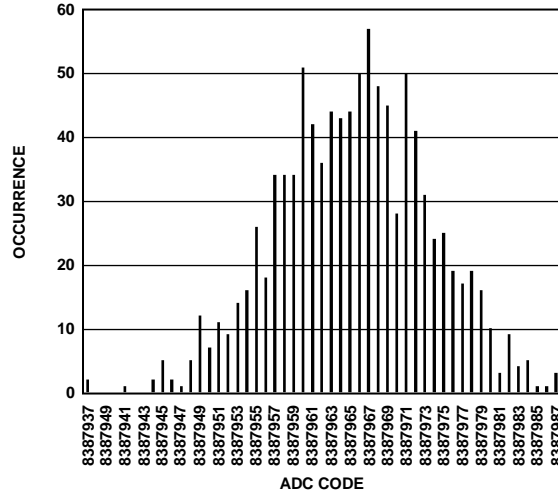
23874-208

Figure 8. Histogram (Output Data Rate = 2.5 SPS)



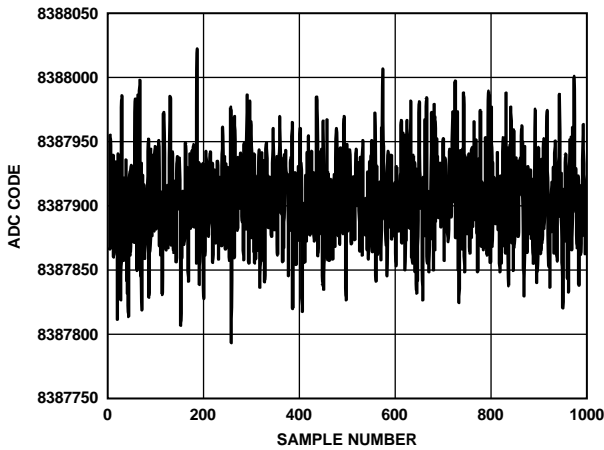
23874-206

Figure 6. Noise (Output Data Rate = 2.5 kSPS)



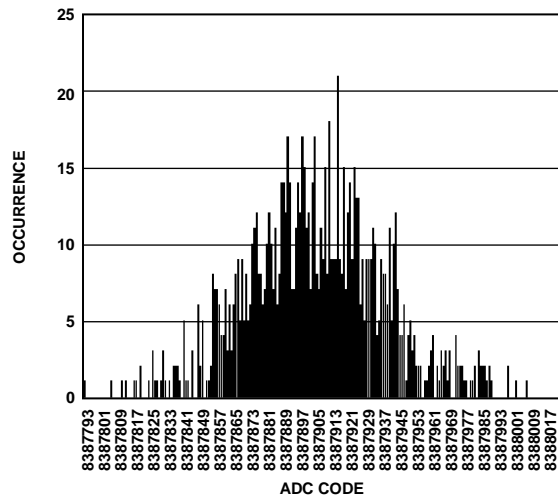
23874-209

Figure 9. Histogram (Output Data Rate = 2.5 kSPS)



23874-207

Figure 7. Noise (Output Data Rate = 125 kSPS)



23874-210

Figure 10. Histogram (Output Data Rate = 125 kSPS)

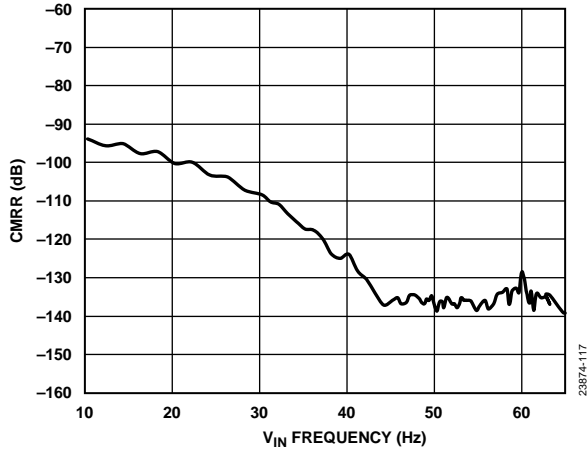


Figure 11. CMRR vs. V_{IN} Frequency ($V_{IN} = 0.1$ V, Output Data Rate = 20 SPS, Enhanced Filter)

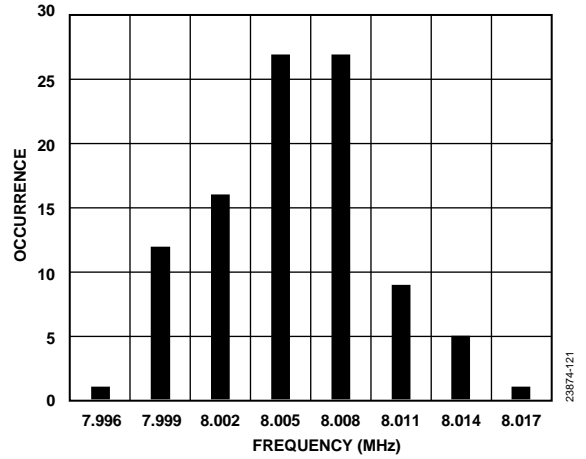


Figure 14. Internal Oscillator Frequency and Accuracy Distribution Histogram

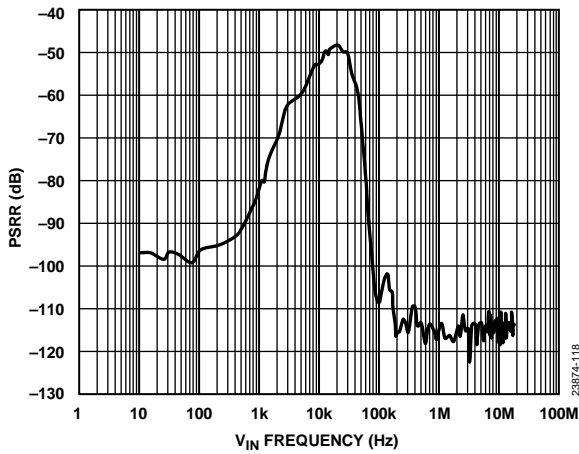


Figure 12. PSRR vs. V_{IN} Frequency

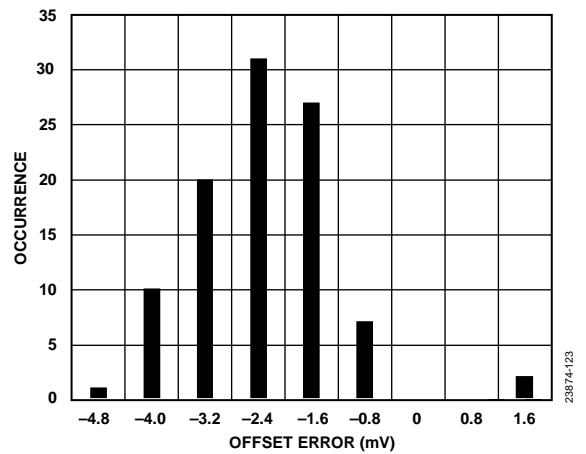


Figure 15. Offset Error Distribution Histogram

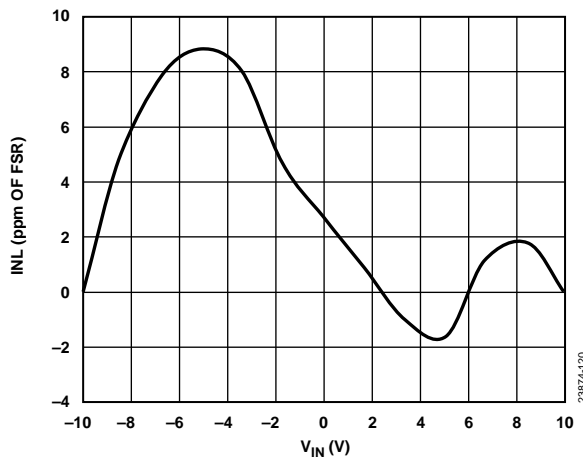


Figure 13. INL vs. V_{IN}

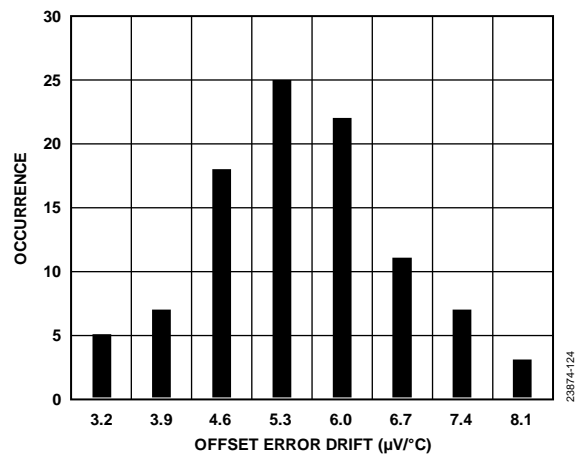


Figure 16. Offset Error Drift Distribution Histogram

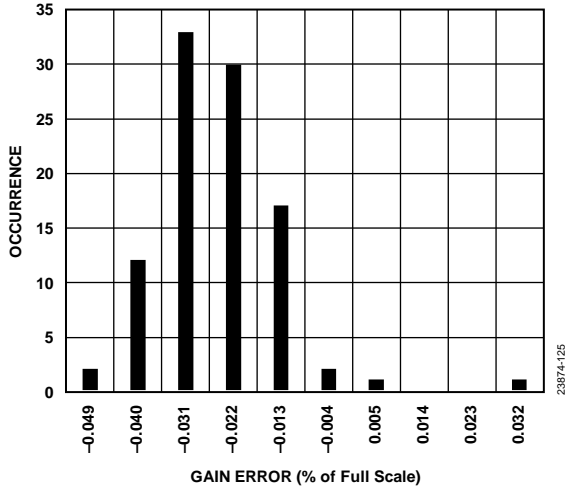


Figure 17. Gain Error Distribution Histogram

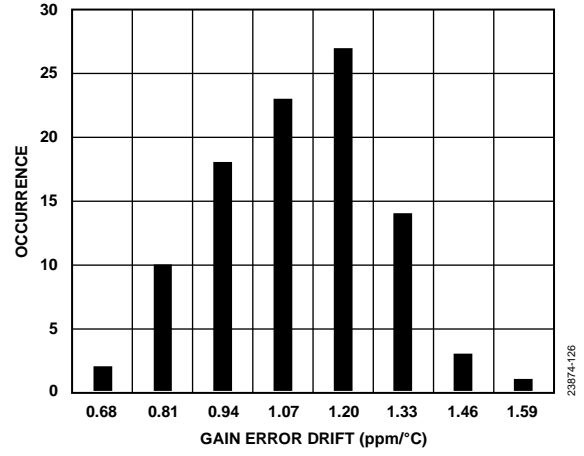


Figure 18. Gain Error Drift Distribution Histogram

THEORY OF OPERATION

The AD4115 offers a fast settling, high resolution, multiplexed ADC with high levels of configurability, including the following features:

- Eight fully differential voltage inputs or 16 single-ended voltage inputs.
- High impedance voltage divider with integrated precision matched resistors
- Embedded proprietary *i*Passives® technology within a small device footprint.
- Per channel configurability where up to eight different setups can be defined. A separate setup can be mapped to each channel. Each setup allows the user to configure whether the buffers are enabled or disabled, gain and offset correction, filter type, ODR, and reference source selection.
- Highly configurable digital filter enabling conversion rates up to 125 kSPS on a single channel and 24.845 kSPS switching.

The AD4115 includes a precision, 2.5 V, low drift (± 5 ppm/ $^{\circ}$ C), band gap internal reference. Use this reference in ADC conversions to reduce the external component count. When enabled, the internal reference is output to the REFOUT pin. The internal reference can be used as a low noise biasing voltage for the external circuitry and must be connected to a 0.1 μ F decoupling capacitor.

The AD4115 includes two separate linear regulator blocks for the analog and digital circuitry. The analog LDO regulator regulates the AVDD supply to 1.8 V.

The linear regulator for the digital IOVDD supply performs a function similar to the LDO regulator and regulates the input voltage applied at the IOVDD pin to 1.8 V. The serial interface signals always operate from the IOVDD supply seen at the pin. For example, if 3.3 V is applied to the IOVDD pin, the interface logic inputs and outputs operate at this level.

The AD4115 is designed for a multitude of factory automation and process control applications, including PLC and DCS modules. The AD4115 reduces overall system cost and design burden and maintains a high level of accuracy. The AD4115 offers the following system benefits:

- A single 5 V power supply.
- Guaranteed minimum 1 M Ω input impedance.
- Overrange voltage greater than ± 10 V.
- Reduced calibration costs.
- High channel count.

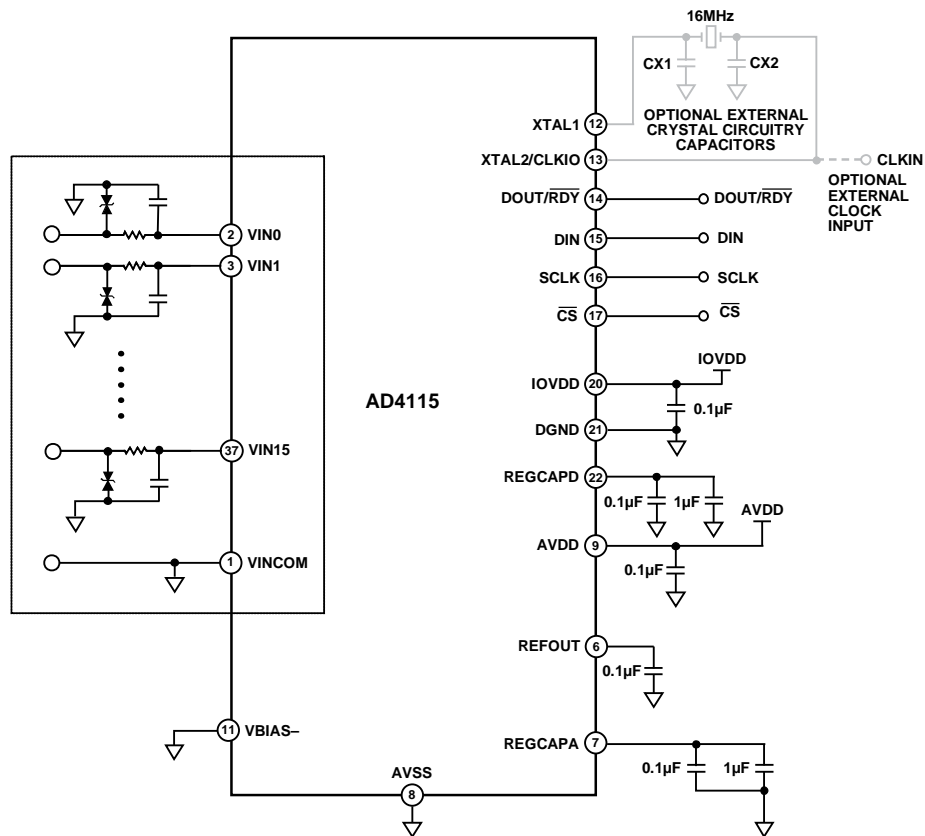


Figure 19. Typical Connection Diagram
Rev. A | Page 15 of 52

POWER SUPPLIES

The AD4115 has two independent power supply pins, AVDD and IOVDD. The AD4115 has no specific requirements for a power supply sequence. However, when all power supplies are stable, a device reset is required. See the AD4115 Reset section for information on how to reset the device.

AVDD powers the internal 1.8 V analog LDO regulator that powers the ADC core. AVDD also powers the crosspoint multiplexer and integrated input buffers. AVDD is referenced to AVSS, and $AVDD - AVSS = 5\text{ V}$. AVDD and AVSS can be a single 5 V supply or $\pm 2.5\text{ V}$ split supplies. Consider the absolute maximum ratings when using split supplies (see the Absolute Maximum Ratings section).

IOVDD powers the internal 1.8 V digital LDO regulator that powers the ADC digital logic. IOVDD sets the voltage levels for the serial peripheral interface (SPI) of the ADC. IOVDD is referenced to DGND, and the voltage from IOVDD to DGND can vary from 2 V (minimum) to 5.5 V (maximum).

Single-Supply Operation (AVSS = DGND)

When the AD4115 is powered from a single supply connected to AVDD, the supply must be 5 V. In this configuration, AVSS and DGND can be shorted together on a single ground plane.

IOVDD can range from 2 V to 5.5 V in this unipolar input configuration.

DIGITAL COMMUNICATION

The AD4115 has either a 3-wire or 4-wire SPI interface that is compatible with QSPI™, MICROWIRE®, and digital signal processors (DSPs). The interface operates in SPI Mode 3 and can be operated with $\overline{\text{CS}}$ tied low. In SPI Mode 3, SCLK idles high, the falling edge of SCLK is the drive edge, and the rising edge of SCLK is the sample edge. Data is clocked out on the falling (drive) edge and data is clocked in on the rising (sample) edge.

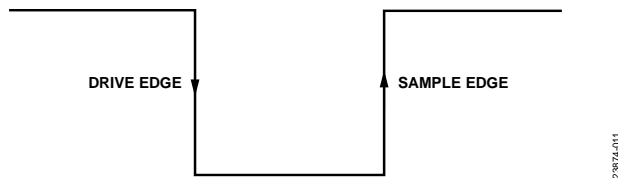


Figure 20. SPI Mode 3 SCLK Edges

Accessing the ADC Register Map

The communications register controls access to the full ADC register map. This register is an 8-bit, write only register. On power-up or after a reset, the digital interface defaults to a state where the interface expects a write to the communications register. Therefore, all communication begins by writing to the communications register.

The data written to the communications register determines which register is accessed and if the next operation is a read or write. The RA bits (Bits[5:0] in Register Address 0x00)

determine the specific register to which the read or write operation applies (see Table 20).

When the read or write operation to the selected register is complete, the interface returns to the default state to expect a write operation to the communications register.

Figure 21 and Figure 22 show a write to and a read from a register by writing the 8-bit command to the communications register followed by the data for the addressed register.

Figure 21 shows an 8-bit command with the register address followed by 8 bits, 16 bits, or 24 bits of data where the data length on DIN depends on the selected register. Figure 22 shows an 8-bit command with the register address followed by 8 bits, 16 bits, 24 bits, or 32 bits of data where the data length on DOUT depends on the selected register.

To verify correct communication with the device, read the ID register. The ID register is a read only register and contains the value of 0x38DX for the AD4115. The communication register and ID register details are described in Table 7 and Table 8.

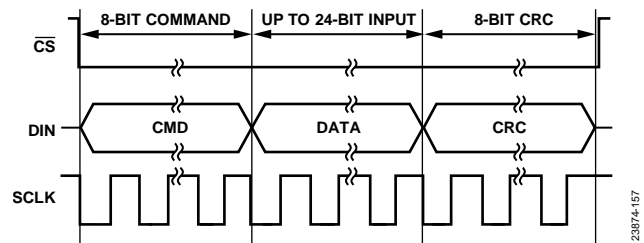


Figure 21. Writing to a Register

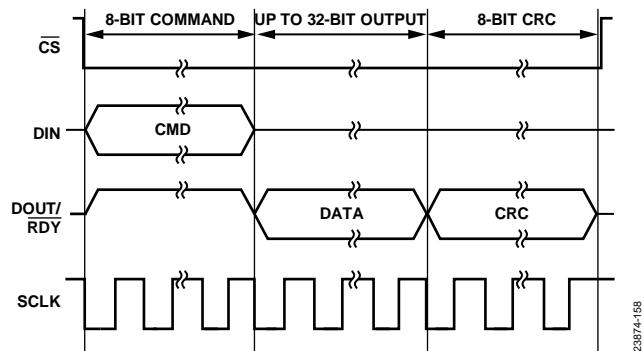


Figure 22. Reading from a Register

AD4115 RESET

When a power-up cycle completes and the power supplies are stable, a device reset is required. If interface synchronization is lost, a device reset is required. A write operation of at least 64 serial clock cycles with DIN high returns the ADC to the default state by resetting the entire device, including the register contents. Alternatively, if $\overline{\text{CS}}$ is used with the digital interface, returning $\overline{\text{CS}}$ high sets the digital interface to the default state and halts any serial interface operation.

Table 7. Communications Register Bit Map

| Register | Name | Bits | Bit 7 | Bit 6 | Bit 5 | Bit 4 | Bit 3 | Bit 2 | Bit 1 | Bit 0 | Reset | R/W |
|----------|-------|-------|-------|-------|-------|-------|-------|-------|-------|-------|-------|-----|
| 0x00 | COMMS | [7:0] | WEN | R/W | RA | | | | | | 0x00 | W |

Table 8. ID Register Bit Map

| Register | Name | Bits | Bit 7 | Bit 6 | Bit 5 | Bit 4 | Bit 3 | Bit 2 | Bit 1 | Bit 0 | Reset | R/W |
|----------|------|--------|-------|-------|-------|-------|-------|-------|-------|-------|---------------------|-----|
| 0x07 | ID | [15:0] | ID | | | | | | | | 0x38DX ¹ | R |

¹ X means don't care.

CONFIGURATION OVERVIEW

After a power-on or reset, the AD4115 default configuration is as follows:

- Channel configuration: Channel 0 is enabled, the VIN0 and VIN1 pair is selected as the input. Setup 0 is selected (see the Setup Configuration section for more information).
- Setup configuration: the analog input buffers and the reference input buffers are disabled. The REF+ and REF– pins are selected as the reference source. Note that for this setup, the default channel does not operate correctly because the input buffers must be enabled for a VINx input.
- Filter configuration: the sinc5 + sinc1 filter is selected and the maximum output data rate of 125 kSPS is selected.
- ADC mode: continuous conversion mode and the internal oscillator are enabled. The internal reference is disabled.
- Interface mode: cyclic redundancy check (CRC) and the data and status output are disabled.

Note that only a few of the register setting options are shown in this example list. For full register information, see the Register Details section.

Figure 23 shows an overview of the suggested flow for changing the ADC configuration, divided into the following three blocks:

- Channel configuration.
- Setup configuration.
- ADC mode and interface mode configuration.

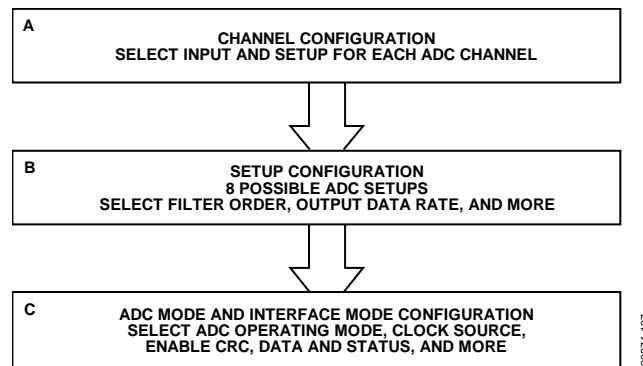


Figure 23. Suggested ADC Configuration Flow

Table 9. Channel Register 0 Bit Map

| Register | Name | Bits | Bit 7 | Bit 6 | Bit 5 | Bit 4 | Bit 3 | Bit 2 | Bit 1 | Bit 0 | Reset | R/W |
|----------|------|--------|-------------|------------|-------|----------|-------|-------------|-------|--------|-------|-----|
| 0x10 | CH0 | [15:8] | CH_EN0 | SETUP_SELO | | Reserved | | INPUT0[9:8] | | 0x8001 | R/W | |
| | | [7:0] | INPUT0[7:0] | | | | | | | | | |

Channel Configuration

The AD4115 has 16 independent channels and eight independent setups. The user can select any input pair on any channel, as well as any of the eight setups for any channel, which allows full flexibility in the channel configuration. This flexibility allows per channel configuration when using differential inputs and single-ended inputs because each channel can have an individual dedicated setup.

Channel Registers

The channel registers select which voltage input is used for the corresponding channel. Each channel register contains a channel enable/disable bit and the setup selection bits that select from eight available setups to use for the channel.

When the AD4115 operates with more than one channel enabled, the channel sequencer cycles through the enabled channels in sequential order from Channel 0 to Channel 15. If a channel is disabled, that channel is skipped by the sequencer. Details on the channel register for Channel 0 are shown in Table 9.

Setup Configuration

The AD4115 has eight independent setups. Each setup consists of the following four types of registers:

- Setup configuration register
- Filter configuration register
- Gain register
- Offset register

For example, Setup 0 consists of Setup Configuration Register 0, Filter Configuration Register 0, Gain Register 0, and Offset Register 0. Figure 24 shows the grouping of these registers. The setup is selectable from the channel registers (see the Channel Configuration section), which allows each channel to be assigned to one of the eight separate setups. Table 10 through Table 13 show the four registers that are associated with Setup 0. This structure is repeated for Setup 1 to Setup 7.

Setup Configuration Registers

The setup configuration registers allow the user to select between bipolar mode and unipolar mode to determine the ADC output coding. The user can also select the reference source using these registers. Three reference source options are available: a reference connected between the REF+ and REF– pins, the internal reference, or using AVDD – AVSS as the reference. The input and reference buffers can also be enabled or disabled using these registers.

Filter Configuration Registers

The filter configuration registers select which digital filter is used at the output of the ADC modulator. Set the bits in these registers to select the order of the filter and the output data rate. For more information, see the Digital Filter section.

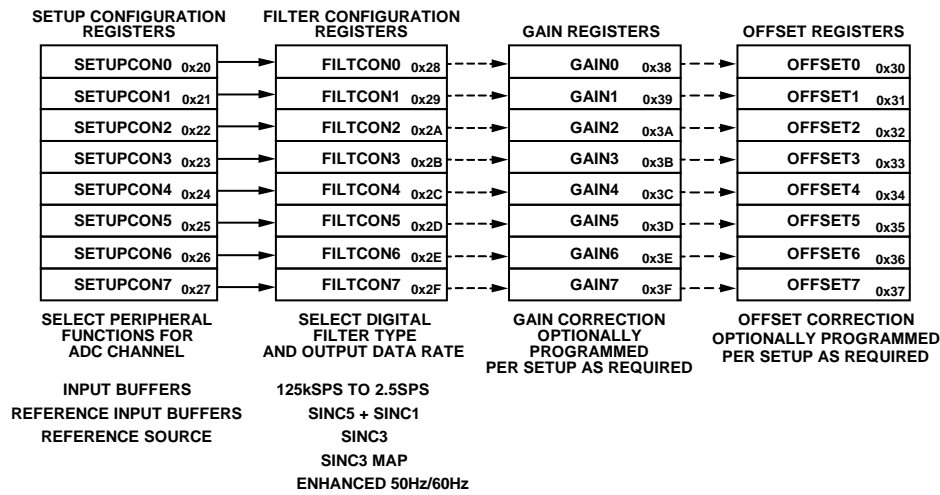


Figure 24. ADC Setup Register Grouping

Table 10. Setup Configuration Register 0

| Register | Name | Bits | Bit 7 | Bit 6 | Bit 5 | Bit 4 | Bit 3 | Bit 2 | Bit 1 | Bit 0 | Reset | R/W |
|----------|-----------|--------|----------|-------|----------|--------------|----------|----------|--------|-------|--------|-----|
| 0x20 | SETUPCON0 | [15:8] | Reserved | | | BI_UNIPOLAR0 | REFBUF0+ | REFBUF0– | INBUF0 | | 0x1000 | R/W |
| | | [7:0] | Reserved | | REF_SEL0 | | Reserved | | | | | |

Table 11. Filter Configuration Register 0

| Register | Name | Bits | Bit 7 | Bit 6 | Bit 5 | Bit 4 | Bit 3 | Bit 2 | Bit 1 | Bit 0 | Reset | R/W |
|----------|----------|--------|------------|----------|-------|-------|------------|----------|-------|-------|--------|-----|
| 0x28 | FILTCON0 | [15:8] | SINC3_MAP0 | Reserved | | | ENHFILTENO | ENHFILTO | | | 0x0500 | R/W |
| | | [7:0] | Reserved | ORDER0 | ODR0 | | | | | | | |

Table 12. Gain Register 0

| Register | Name | Bits | Bits[23:0] | Reset | R/W |
|----------|-------|--------|------------|----------|-----|
| 0x38 | GAIN0 | [23:0] | GAIN0 | 0x5XXXX0 | R/W |

Table 13. Offset Register 0

| Register | Name | Bits | Bits[23:0] | Reset | R/W |
|----------|---------|--------|------------|----------|-----|
| 0x30 | OFFSET0 | [23:0] | OFFSET0 | 0x800000 | R/W |

Gain Registers

The gain registers are 24-bit, read and write registers that hold the gain calibration coefficient for the ADC. The power-on reset value of the gain registers is 0x5XXXX0.

Offset Registers

The offset registers are 24-bit, read and write registers that hold the offset calibration coefficient for the ADC. The power-on reset value of the offset registers is 0x800000.

ADC Mode and Interface Mode Configuration

The ADC mode register and the interface mode register configure the core peripherals for the AD4115 to use, as well as the mode for the digital interface.

ADC Mode Register

The ADC mode register primarily sets the ADC conversion mode to either continuous or single conversion. The user can

also select the standby and power-down modes, as well as any of the calibration modes. The ADC mode register also contains the clock source select bits and internal reference enable bit. The reference select bits are contained in the setup configuration registers (see the Setup Configuration section for more information). The details of the ADC mode register are shown in Table 14.

Interface Mode Register

The interface mode register configures the digital interface operation. This register allows the user to control data-word length, CRC enable, data plus status read, and continuous read mode. The details of this register are shown in Table 15. For more information, see the Digital Interface section.

Table 14. ADC Mode Register

| Register | Name | Bits | Bit 7 | Bit 6 | Bit 5 | Bit 4 | Bit 3 | Bit 2 | Bit 1 | Bit 0 | Reset | R/W |
|----------|---------|--------|----------|----------|----------|----------|----------|-------|-------|----------|--------|-----|
| 0x01 | ADCMODE | [15:8] | REF_EN | Reserved | SING_CYC | Reserved | | Delay | | Reserved | 0x2000 | R/W |
| | | [7:0] | Reserved | Mode | | | CLOCKSEL | | | | | |

Table 15. Interface Mode Register

| Register | Name | Bits | Bit 7 | Bit 6 | Bit 5 | Bit 4 | Bit 3 | Bit 2 | Bit 1 | Bit 0 | Reset | R/W |
|----------|--------|--------|----------|-----------|-----------|----------|------------|----------|----------|------------|--------|-----|
| 0x02 | IFMODE | [15:8] | Reserved | | | ALT_SYNC | IOSTRENGTH | Reserved | | DOUT_RESET | 0x0000 | R/W |
| | | [7:0] | CONTREAD | DATA_STAT | REG_CHECK | Reserved | CRC_EN | | Reserved | WL16 | | |

NOISE PERFORMANCE AND RESOLUTION

Table 16 to Table 17 show the rms noise, peak-to-peak noise, effective resolution, and noise free (peak-to-peak) resolution of the device for various ODRs. These values are typical and are measured with an external 2.5 V reference and with the ADC continuously converting on multiple channels. The values in

Table 16 and Table 17 are generated for the ± 10 V voltage input range, with a differential input voltage of 0 V. Note that the peak-to-peak resolution is calculated based on the peak-to-peak noise. The peak-to-peak resolution represents the resolution for which there is no code flicker.

Table 16. ± 10 V Voltage Input RMS Noise Resolution vs. ODR Using a Sinc5 + Sinc1 Filter

| Default Output Data Rate (SPS), SING_CYC = 0 and Single Channel Enabled | Output Data Rate (SPS per Channel), SING_CYC = 1 or Multiple Channels Enabled | Settling Time ¹ | Notch Frequency (Hz) | Noise ($\mu\text{V rms}$) ² | Effective Resolution (Bits) | Noise ($\mu\text{V p-p}$) | Peak-to-Peak Resolution (Bits) |
|---|---|----------------------------|----------------------|--|-----------------------------|-----------------------------|--------------------------------|
| 125,000 | 24,845 | 40.25 μs | 125,000 | 140.36 | 17.12 | 926.38 | 14.40 |
| 62,500 | 20,725 | 48.25 μs | 62,500 | 124.42 | 17.29 | 821.17 | 14.57 |
| 31,250 | 15,564 | 64.25 μs | 31,250 | 99.14 | 17.62 | 654.32 | 14.90 |
| 25,000 | 13,841 | 72.25 μs | 25,000 | 89.57 | 17.77 | 591.16 | 15.05 |
| 15,625 | 10,390 | 96.25 μs | 15,625 | 72.94 | 18.06 | 481.40 | 15.34 |
| 10,390 | 10,390 | 96.25 μs | 15,625 | 71.01 | 18.10 | 468.67 | 15.38 |
| 4994 | 4,994 | 200.25 μs | 5952.4 | 45.67 | 18.74 | 301.42 | 16.02 |
| 2498 | 2,499 | 400.25 μs | 2717.4 | 32.42 | 19.23 | 213.97 | 16.51 |
| 1000 | 1,000 | 1 ms | 1033.1 | 20.24 | 19.91 | 133.58 | 17.19 |
| 500 | 500 | 2 ms | 508.1 | 13.88 | 20.46 | 91.61 | 17.74 |
| 395.5 | 395.5 | 2.53 ms | 400.6 | 12.61 | 20.60 | 83.23 | 17.87 |
| 200 | 200 | 5 ms | 201.3 | 9.702 | 20.98 | 64.03 | 18.25 |
| 100 | 100 | 10 ms | 100.3 | 7.36 | 21.37 | 48.58 | 18.65 |
| 59.87 | 59.89 | 16.7 ms | 59.98 | 5.38 | 21.83 | 35.51 | 19.10 |
| 49.92 | 49.92 | 20.03 ms | 50 | 5.52 | 21.79 | 36.43 | 19.07 |
| 20 | 20. | 50 ms | 20.01 | 4.52 | 22.08 | 29.83 | 19.35 |
| 16.7 | 16.66 | 60.03 ms | 16.67 | 4.07 | 22.23 | 26.86 | 19.51 |
| 10 | 10 | 100 ms | 10 | 3.15 | 22.6 | 16.1 | 20.2 |
| 5 | 5 | 200 ms | 5 | 2.92 | 22.7 | 12.1 | 20.7 |
| 2.5 | 2.5 | 400 ms | 2.5 | 2.49 | 22.7 | 12 | 20.7 |

¹ The settling time is rounded to the nearest microsecond, which is reflected in the output data rate and channel switching rate. Channel switching rate = $1 \div$ settling time.

² The noise values are based on 1000 samples for data rates ≥ 395.5 SPS per channel and based on 100 samples for data rates ≤ 200 SPS per channel.

Table 17. ± 10 V Voltage Input RMS Noise Resolution vs. ODR Using a Sinc3 Filter

| Default Output Data Rate (SPS), SING_CYC = 0 and Single Channel Enabled | Output Data Rate (SPS per Channel), SING_CYC = 1 or Multiple Channels Enabled | Settling Time ¹ | Notch Frequency (Hz) | Noise ($\mu\text{V rms}$) ² | Effective Resolution (Bits) | Noise ($\mu\text{V p-p}$) | Peak-to-Peak Resolution (Bits) |
|---|---|----------------------------|----------------------|--|-----------------------------|-----------------------------|--------------------------------|
| 125,000 | 41,237 | 24.3 μs | 125,000 | 1008 | 14.28 | 6652 | 11.55 |
| 62,500 | 20,725 | 48.3 μs | 62,500 | 176.41 | 16.79 | 1164 | 14.07 |
| 31,250 | 10,389.6 | 96.3 μs | 31,250 | 82.49 | 17.89 | 544.43 | 15.16 |
| 25,000 | 8,316.0 | 120.3 μs | 25,000 | 73.71 | 18.05 | 486.49 | 15.33 |
| 15,625 | 5,201.6 | 192.3 μs | 15,625 | 57.99 | 18.40 | 382.73 | 15.67 |
| 10,416.7 | 3,469.2 | 288.3 μs | 10,417 | 46.93 | 18.70 | 309.74 | 15.98 |
| 5000 | 1,666.0 | 600.3 μs | 5000 | 31.45 | 19.28 | 207.57 | 16.56 |
| 2500 | 833.2 | 1.2 ms | 2500 | 22.83 | 19.74 | 150.68 | 17.02 |
| 1000 | 333.33 | 3 ms | 1000 | 14.35 | 20.41 | 94.71 | 17.69 |
| 500 | 166.67 | 6 ms | 500.0 | 10.82 | 20.82 | 71.41 | 18.10 |
| 400.6 | 133.51 | 7.49 ms | 400.6 | 9.66 | 20.98 | 63.76 | 18.26 |
| 200 | 66.67 | 15 ms | 200.0 | 7.30 | 21.39 | 48.18 | 18.66 |
| 100 | 33.33 | 30 ms | 100.0 | 5.81 | 21.71 | 38.35 | 18.99 |
| 59.98 | 19.99 | 50.02 ms | 59.98 | 4.70 | 22.02 | 31.02 | 19.30 |
| 50 | 16.67 | 60 ms | 50.00 | 4.48 | 22.09 | 29.57 | 19.37 |

| Default Output Data Rate (SPS), SING_CYC = 0 and Single Channel Enabled | Output Data Rate (SPS per Channel), SING_CYC = 1 or Multiple Channels Enabled | Settling Time ¹ | Notch Frequency (Hz) | Noise ($\mu\text{V rms}$) ² | Effective Resolution (Bits) | Noise ($\mu\text{V p-p}$) | Peak-to-Peak Resolution (Bits) |
|---|---|----------------------------|----------------------|--|-----------------------------|-----------------------------|--------------------------------|
| 20 | 6.67 | 150 ms | 20.00 | 3.30 | 22.53 | 21.78 | 19.81 |
| 16.67 | 5.56 | 180 ms | 16.67 | 2.78 | 22.78 | 18.35 | 20.06 |
| 10 | 3.33 | 300 ms | 10.00 | 2.95 | 22.7 | 14.9 | 20.4 |
| 5 | 1.67 | 600 ms | 5.00 | 2.63 | 22.7 | 11.9 | 20.7 |
| 2.5 | 0.83 | 1.2 s | 2.50 | 2.43 | 22.7 | 11.9 | 20.7 |

¹ The settling time is rounded to the nearest microsecond, which is reflected in the output data rate and channel switching rate. Channel switching rate = $1 \div$ settling time.

² The noise values are based on 1000 samples for data rates ≥ 381 SPS per channel and based on 100 samples for data rates ≤ 200.3 SPS per channel.

CIRCUIT DESCRIPTION

MULTIPLEXER

The device has 17 voltage input pins, VIN0 to VIN15 and VINCOM. Each pin connects to the internal multiplexer. The multiplexer enables these inputs to be configured as input pairs. The AD4115 can have up to 16 active channels. When more than one channel is enabled, the channels are automatically sequenced in order from the lowest enabled channel number to the highest enabled channel number. The multiplexer output connects to the input of the integrated true rail-to-rail buffers. These buffers can be bypassed and the multiplexer output can be directly connected to the ADC switched capacitor input. The simplified input circuits are shown in Figure 25.

VOLTAGE INPUTS

The AD4115 can be set up to have either 16 single-ended inputs or eight fully differential inputs. The voltage divider on the AFE has a division ratio of 10 and consists of precision matched

resistors that enable an input range of ± 20 V from a single 5 V power supply.

Enable the input buffers in the corresponding setup configuration register for the voltage input channels (see Table 29).

Fully Differential Inputs

The differential inputs are paired together in the following pairs: VIN0 and VIN1, VIN2 and VIN3, VIN4 and VIN5, VIN6 and VIN7, VIN8 and VIN9, VIN10 and VIN11, VIN12 and VIN13, and VIN14 and VIN15.

Single-Ended Inputs

The user can measure up to 16 different single-ended voltage inputs. In this case, each voltage input must be paired with the VINCOM pin. Connect the VINCOM pin externally to the AVSS pin.

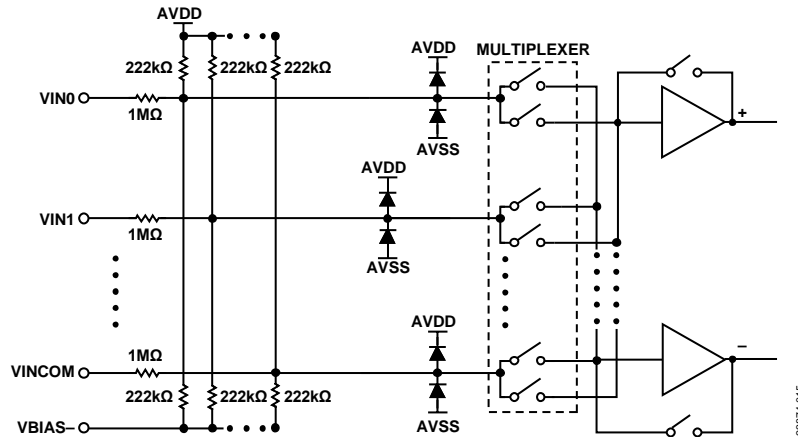


Figure 25. Simplified Voltage Input Circuit

23874-015

ABSOLUTE INPUT PIN VOLTAGES

The AD4115 voltage input pins are specified for an accuracy of ± 10 V, specifically for the differential voltage between any two voltage input pins.

The voltage input pins have separate specifications for the absolute voltage that can be applied, and the unique design of the voltage divider network of the analog front end enables overvoltage robustness on the AD4115, which means the allowed overvoltages vary depending on the AVDD supply. Figure 26 shows the different degrees of robustness that can be achieved for AVDD = 5 V. Figure 26 provides a visual representation and guidance on how an overvoltage on a voltage pin can affect the overall device accuracy.

The guaranteed accuracy section of Figure 26 shows the voltage range that can be applied to a voltage input pin and achieve guaranteed accuracy.

The no loss of accuracy sections show the voltage levels that can be applied without degrading the accuracy of other channels.

The no damage to device sections show the allowable positive and negative voltages that can be applied to a voltage input pin without exceeding the absolute maximum. The performance of other channels is degraded, but the performance recovers when the overvoltage is removed. This voltage range is specified as an absolute maximum rating of ± 65 V.

Operation beyond the maximum operating conditions for extended periods can affect product reliability.

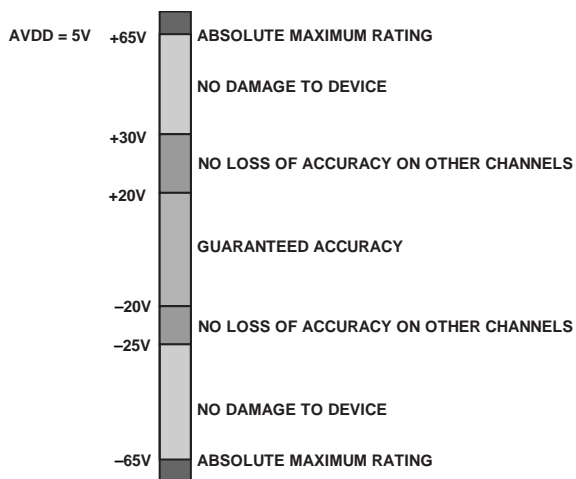


Figure 26. Absolute Input Pin Voltages, AVDD = 5 V

DATA OUTPUT CODING

When the ADC is configured for unipolar operation, the output code is natural (straight) binary with a zero differential input voltage that results in a code of 00 ... 00, a midscale voltage that results in a code of 100 ... 000, and a full-scale input voltage that results in a code of 111 ... 111.

The output code for any input voltage is represented with the following equation:

$$\text{Code} = (2^N \times V_{IN} \times 0.1) / V_{REF}$$

where:

$N = 24$ (the number of bits).

V_{IN} is the input voltage.

V_{REF} is the reference voltage.

When the ADC is configured for bipolar operation, the output code is offset binary with a negative full-scale voltage that results in a code of 000 ... 000, a zero differential input voltage that results in a code of 100 ... 000, and a positive full-scale input voltage that results in a code of 111 ... 111. The output code for any analog input voltage is represented with the following equation:

$$\text{Code} = 2^{N-1} \times ((V_{IN} \times 0.1 / V_{REF}) + 1)$$

AD4115 REFERENCE OPTIONS

The AD4115 provides the reference option of either supplying an external reference to the REF+ and REF– device pins using AVDD – AVSS as the reference, or allowing use of the internal 2.5 V, low noise, low drift reference. To select the reference source to be used by the analog input, set the REF_SELx bits, Bits[5:4], in the corresponding setup configuration register appropriately. The structure of the Setup Configuration Register 0 is shown in Table 10. By default, the AD4115 uses an external reference on power-up.

Internal Reference

The AD4115 includes a low noise, low drift, internal voltage reference that has a 2.5 V output. The internal reference is output on the REFOUT pin after the REF_EN bit in the ADC mode register is set and is decoupled to AVSS with a 0.1 μ F capacitor. The AD4115 internal reference is disabled by default on power-up.

External Reference

The AD4115 has a fully differential reference input applied through the REF+ and REF– pins. Standard low noise, low drift voltage references, such as the ADR4525, are recommended for this use. Apply the external reference to the AD4115 reference pins, as shown in Figure 27. Decouple the output of any external reference to AVSS. As shown in Figure 27, the ADR4525 output is decoupled with a 0.1 μ F capacitor at the output for stability purposes. The output is connected to a 4.7 μ F capacitor that acts as a reservoir for any dynamic charge required by the ADC and is followed by another 0.1 μ F decoupling capacitor at the REF+ input. This capacitor is placed as close as possible to the REF+ and REF– pins.

The REF– pin is connected directly to the AVSS potential. When an external reference is used instead of the internal reference to supply the AD4115, ensure that the REFOUT pin is not hardwired to AVSS, which can draw a large current on power-up. The internal reference is controlled by the REF_EN bit (Bit 15) in the ADC mode register, as shown in Table 14. If the internal reference is not used elsewhere in the application, ensure that the REF_EN bit is disabled.

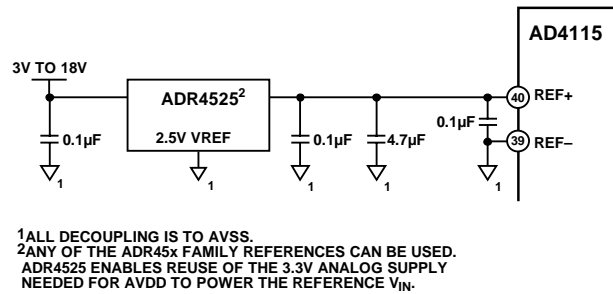


Figure 27. ADR4525 Connected to AD4115 REF+ and REF- Pins

BUFFERED REFERENCE INPUT

The AD4115 has true rail-to-rail, integrated, precision unity-gain buffers on both ADC reference inputs. The buffers provide high input impedance and allow high impedance external sources to be directly connected to the reference inputs. The integrated reference buffers can fully drive the internal reference switch capacitor sampling network to simplify the reference circuit requirements. Each reference input buffer amplifier is fully chopped and minimizes the offset error drift and $1/f$ noise of the buffer. When using a voltage reference, such as the ADR4525, these buffers are not required because the reference has proper decoupling and can drive the reference inputs directly.

CLOCK SOURCE

The AD4115 uses a nominal master clock of 8 MHz and can source the device sampling clock from one of the following three sources:

- An internal oscillator.
- An external crystal. Use a 16 MHz crystal automatically divided internally to set the 8 MHz clock.
- An external clock source.

All output data rates listed in this data sheet relate to a master clock rate of 8 MHz. Using a lower clock frequency from, for instance, an external source scales any listed data rate proportionally. To achieve the specified data rates, particularly rates for rejection of 50 Hz and 60 Hz, use a 8 MHz clock. To select the master clock source, set the CLOCKSEL bits (Bits[3:2]) in the ADC mode register, as shown in Table 14. The default operation on power-up and reset of the AD4115 is to operate with the internal oscillator. The user can use the SINC3_MAPx bits in the filter configuration registers to fine tune the output data rate and filter notch at low output data rates.

Internal Oscillator

The internal oscillator runs at 16 MHz and is internally divided down to 2 MHz for the modulator. The internal oscillator can be used as the ADC master clock and is the default clock source for the AD4115, which is specified with an accuracy of -2.5% to $+2.5\%$.

The internal clock oscillator can be output on the XTAL2/CLKIO pin. In this case, the clock output is driven to the IOVDD logic level. This option can affect the AD4115 dc performance because of the disturbance introduced by the

output driver. The extent to which the performance is affected depends on the IOVDD voltage supply. Higher IOVDD voltages create a wider logic output swing from the driver and affect performance to a greater extent. This effect is further exaggerated if the IOSTRENGTH bit of the interface mode register is set at higher IOVDD levels (see Table 23).

External Crystal

If higher precision, lower jitter clock sources are required, the AD4115 can use an external crystal to generate the master clock. The crystal connects to the XTAL1 and XTAL2/CLKIO pins. The FA-20H, a 16 MHz, 10 ppm, 9 pF crystal from Epson-Toyocom is available in a surface-mount package and is acceptable for this use. As shown in Figure 28, insert two capacitors (CX1 and CX2) from the traces connecting the crystal to the XTAL1 and XTAL2/CLKIO pins. These capacitors allow circuit tuning. Connect these capacitors to the DGND pin. The value for these capacitors depends on the length and capacitance of the trace connections between the crystal and the XTAL1 and XTAL2/CLKIO pins. Therefore, the values of these capacitors differ depending on the PCB layout and the crystal used.

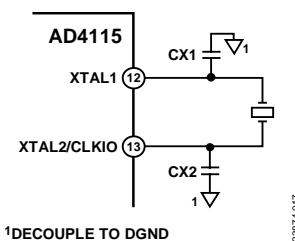


Figure 28. External Crystal Connections

The external crystal circuitry can be sensitive to the SCLK edges depending on the SCLK frequency, IOVDD voltage, crystal circuitry layout, and the crystal used. During crystal startup, any disturbances caused by the SCLK edges can cause double edges on the crystal input, which results in invalid conversions until the crystal voltage reaches a high enough level such that any interference from the SCLK edges is insufficient to cause double clocking. To avoid this double clocking, ensure that the crystal circuitry reaches a sufficient voltage level after startup before applying any serial clocks.

Because of the nature of the crystal circuitry, it is recommended to perform empirical testing of the circuit under the required conditions with the final PCB layout and crystal to ensure correct operation.

External Clock

The AD4115 can also use an externally supplied clock. In systems where an externally supplied clock is used, the external clock is routed to the XTAL2/CLKIO pin. In this configuration, the XTAL2/CLKIO pin accepts the externally sourced clock and routes the clock input to the modulator. The logic level of this clock input is defined by the voltage applied to the IOVDD pin.

DIGITAL FILTER

The AD4115 has the following three flexible filter options to optimize noise, settling time, and rejection:

- The sinc5 + sinc1 filter.
- The sinc3 filter.
- Enhanced 50 Hz and 60 Hz rejection filters.

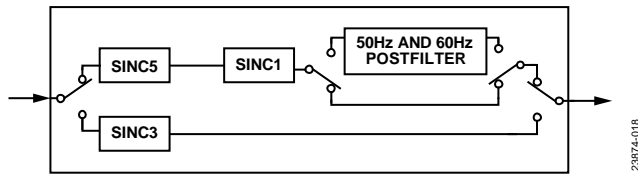


Figure 29. Digital Filter Block Diagram

To configure the filter and output data rate, set the appropriate bits in the filter configuration register for the selected setup. Each channel can use a different setup and, therefore, a different filter and output data rate. See the Register Details section for more information.

SINC5 + SINC1 FILTER

The sinc5 + sinc1 filter is targeted at multiplexed applications and achieves single-cycle settling at output data rates of ≤ 10 kSPS. The sinc5 block output is fixed at the maximum rate of 125 kSPS, and the sinc1 block output data rate can be varied to control the final ADC output data rate. Figure 30 shows the frequency domain response of the sinc5 + sinc1 filter at a 50 SPS output data rate. The sinc5 + sinc1 filter has narrow notches and a slow roll-off over frequency.

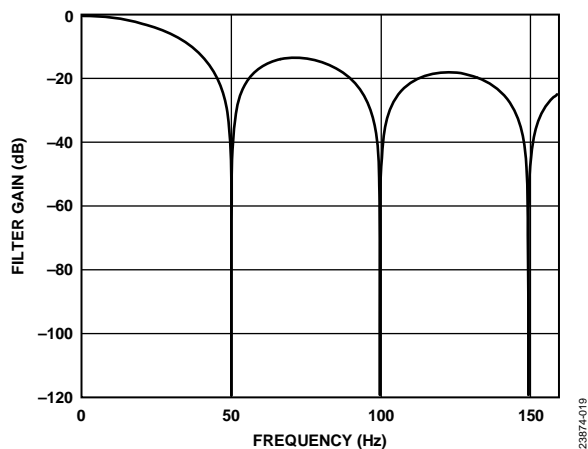


Figure 30. Sinc5 + Sinc1 Filter Response at 50 SPS ODR

The output data rates with the accompanying settling time and rms noise for the sinc5 + sinc1 filter are shown in Table 16.

SINC3 FILTER

The sinc3 filter achieves optimal single-channel noise performance at lower rates and is most suitable for single-channel applications. The sinc3 filter always has a settling time (t_{SETTLE}) equal to the following equation:

$$t_{SETTLE} = 3/\text{Output Data Rate}$$

Figure 31 shows the frequency domain filter response for the sinc3 filter. The sinc3 filter has fast roll-off over frequency and has wide notches for optimal notch frequency rejection.

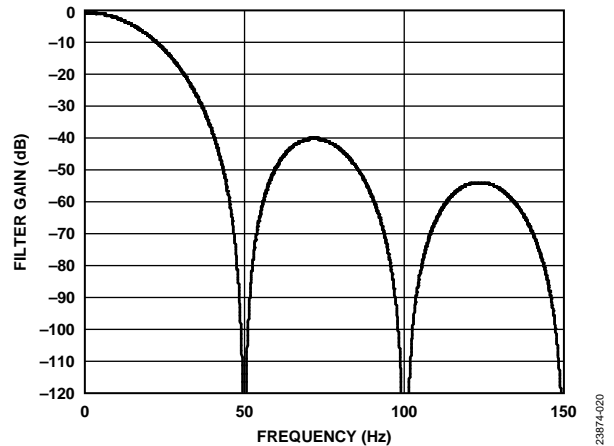


Figure 31. Sinc3 Filter Response

The output data rates with the accompanying settling time and rms noise for the sinc3 filter are shown in Table 17. To fine tune the output data rate for the sinc3 filter, set the SINC3_MAPx bit in the appropriate filter configuration register. If this bit is set, the filter register mapping changes to directly program the sinc3 filter decimation rate. All other options are eliminated. To calculate the data rate when on a single channel, use the following equation:

$$\text{Output Data Rate} = f_{MOD}/(32 \times \text{FILTCONx}[14:0])$$

where:

f_{MOD} is the modulator rate ($MCLK/2$) and is equal to 4 MHz.

$\text{FILTCONx}[14:0]$ is the contents of the filter configuration registers with the MSB excluded.

For example, to achieve an output data rate of 50 SPS with the SINC3_MAPx bit enabled, set the FILTCONx register, Bits[14:0], to a value of 2500.

SINGLE-CYCLE SETTling MODE

To configure the AD4115 to be in a single-cycle settling mode, set the SING_CYC bit in the ADC mode register so that only fully settled data is output. This mode reduces the output data rate to be equal to the ADC settling time for the selected output data rate to achieve single-cycle settling. This bit has no effect on the sinc5 + sinc1 filter at output data rates of ≤ 10 kSPS or when multiple channels are enabled.

Figure 32 shows a step on the analog input with single-cycle settling mode disabled and the sinc3 filter selected. The analog input requires at least three cycles after the step change for the output to reach the final settled value.

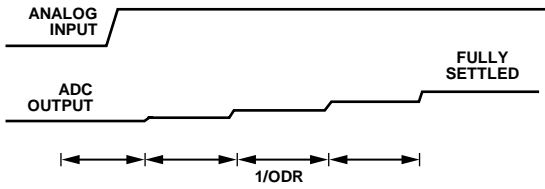


Figure 32. Step Input Without Single-Cycle Settling

Figure 33 shows the same step on the analog input with single-cycle settling enabled. The analog input requires at least a single cycle for the output to be fully settled. The output data rate, as indicated by the RDY signal, reduces to equal the settling time of the filter at the selected output data rate.

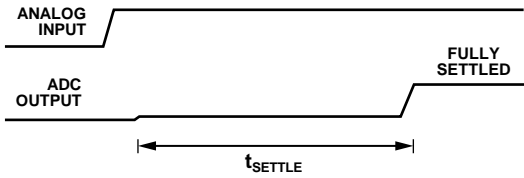


Figure 33. Step Input with Single Cycle Settling

ENHANCED 50 Hz AND 60 Hz REJECTION FILTERS

The enhanced filters provide rejection of 50 Hz and 60 Hz simultaneously and allow the user to trade off settling time and rejection. These filters can operate at up to 27.27 SPS or reject up to 90 dB of 50 Hz ± 1 Hz and 60 Hz ± 1 Hz interference. These filters postfilter the output of the sinc5 + sinc1 filter to operate. For this reason, the user must select the sinc5 + sinc1 filter when using the enhanced filters to achieve the specified settling time and noise performance. Table 18 shows the enhanced filter output data rates with the accompanying settling time, rejection, and voltage input rms noise and resolution. Figure 34 to Figure 41 show the frequency domain plots of the responses from the enhanced filters.

Table 18. Enhanced Filter Output Data Rate, Settling Time, Rejection, and Voltage Input Noise

| Output Data Rate (SPS) | Settling Time (ms) | Simultaneous Rejection of 50 Hz ± 1 Hz and 60 Hz ± 1 Hz (dB) ¹ | Noise (µV rms) | Peak-to-Peak Resolution (Bits) | Comments |
|------------------------|--------------------|---|----------------|--------------------------------|-----------------------------|
| 27.27 | 36.67 | 47 | 6.44 | 19.1 | See Figure 34 and Figure 37 |
| 25 | 40 | 62 | 6.09 | 19.2 | See Figure 35 and Figure 38 |
| 20 | 50 | 85 | 5.54 | 19.35 | See Figure 36 and Figure 39 |
| 16.667 | 60 | 90 | 5.38 | 19.51 | See Figure 40 and Figure 41 |

¹ Master clock = 2.00 MHz.

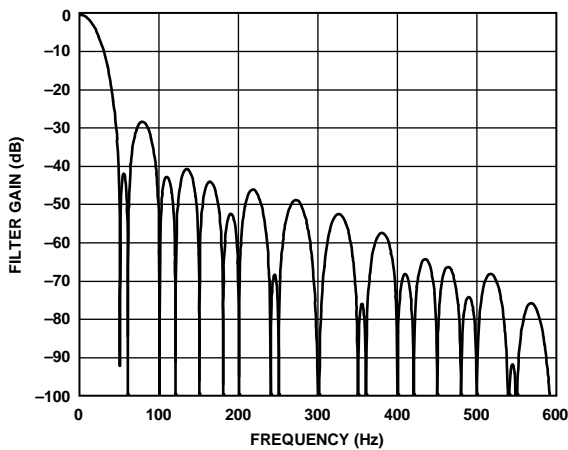


Figure 34. 27.27 SPS ODR, 36.67 ms Settling Time

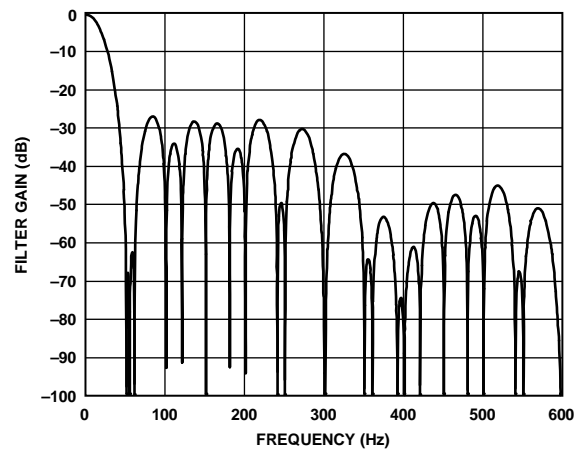


Figure 35. 25 SPS ODR, 40 ms Settling Time

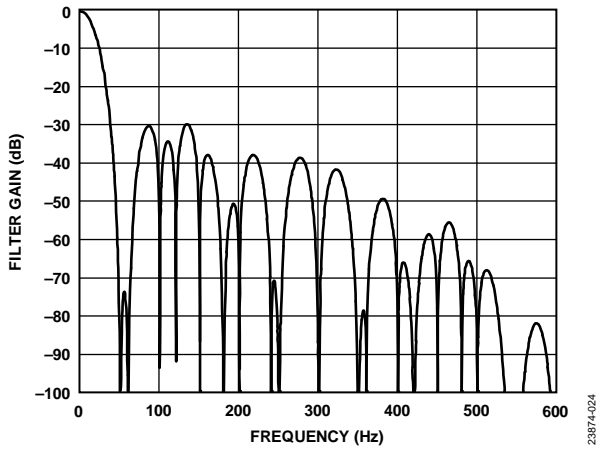


Figure 36. 20 SPS ODR, 50 ms Settling Time

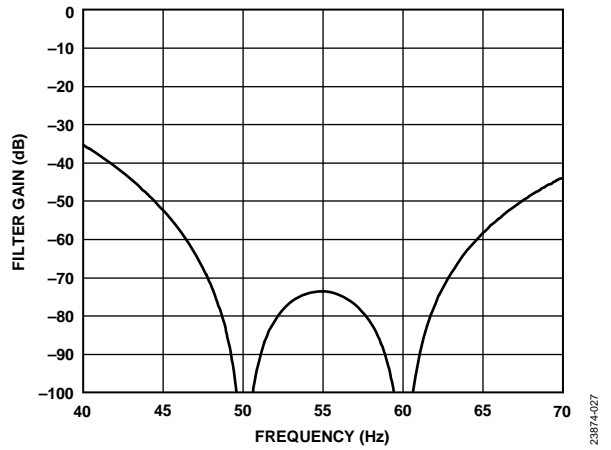


Figure 39. 20 SPS ODR, 50 ms Settling Time (40 Hz to 70 Hz)

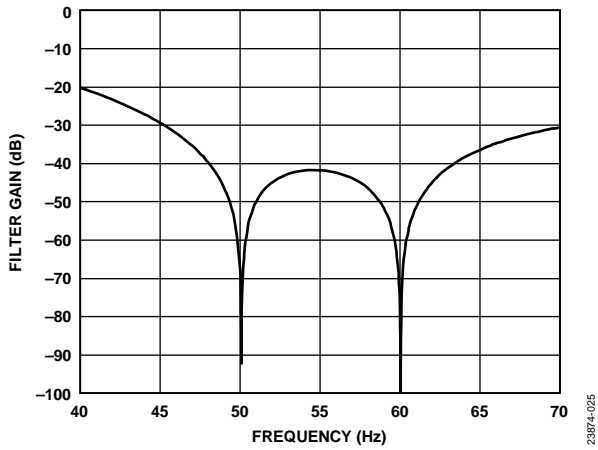


Figure 37. 27.27 SPS ODR, 36.67 ms Settling Time (40 Hz to 70 Hz)

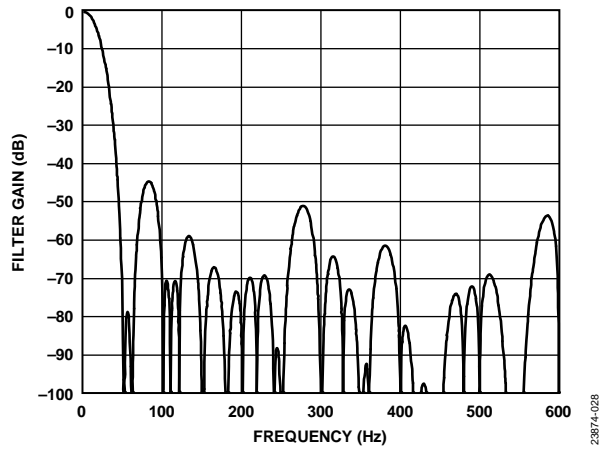


Figure 40. 16.667 SPS ODR, 60 ms Settling Time

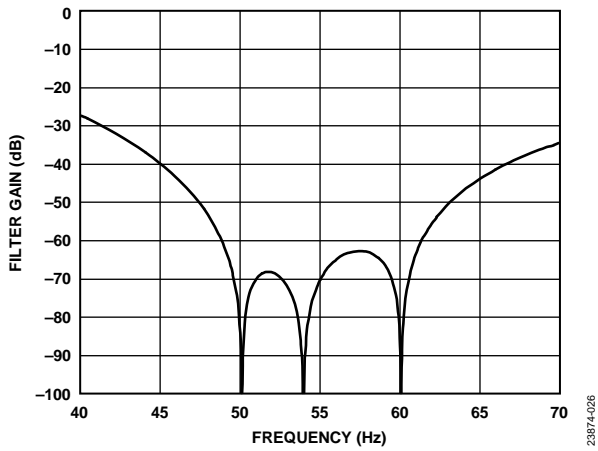


Figure 38. 25 SPS ODR, 40 ms Settling Time (40 Hz to 70 Hz)

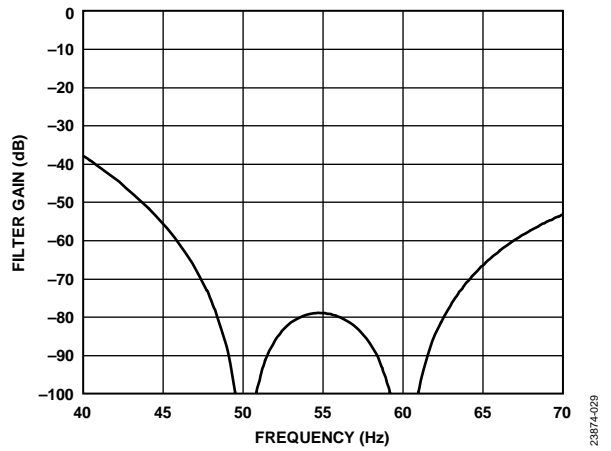


Figure 41. 16.667 SPS ODR, 60 ms Settling Time (40 Hz to 70 Hz)

OPERATING MODES

The AD4115 has nine operating modes that can be set from the ADC mode register and interface mode register (see Table 22 and Table 23). These modes include the following:

- Continuous conversion mode
- Continuous read mode
- Single conversion mode
- Standby mode
- Power-down mode
- Four calibration modes

CONTINUOUS CONVERSION MODE

Continuous conversion mode (see Figure 42) is the default power-up mode. The AD4115 converts continuously, and the $\overline{\text{RDY}}$ bit in the status register goes low each time a conversion is complete. If $\overline{\text{CS}}$ is low, the $\overline{\text{RDY}}$ output also goes low when a conversion is complete. To read a conversion, write to the communications register to indicate that the next operation is a read of the data register. When the data-word is read from the data register, the $\overline{\text{DOUT/RDY}}$ pin goes high. The user can read this register additional times, if required. However, ensure that the data register is not accessed at the completion of the next conversion. Otherwise, the new conversion word is lost.

When several channels are enabled, the ADC automatically sequences through the enabled channels and performs one conversion on each channel. When all channels are converted, the sequence starts again with the first channel. The channels are converted in order from the lowest enabled channel to the highest enabled channel. The data register updates as soon as each conversion is available. The $\overline{\text{RDY}}$ output pulses low each time a conversion is available and the user can then read the conversion while the ADC converts the next enabled channel.

If the DATA_STAT bit in the interface mode register is set to 1, the conversion data and the contents of the status register are output each time the data register is read. The four LSBs of the status register indicate the channel to which the conversion corresponds.

CONTINUOUS READ MODE

In continuous read mode (see Figure 43), it is not required to write to the communications register before reading ADC data. Apply only the required number of serial clocks after the $\overline{\text{RDY}}$ output goes low to indicate the end of a conversion. When the conversion is read, the $\overline{\text{RDY}}$ output returns high until the next conversion is available. In this mode, the data can be read only once. Ensure that the data-word is read before the next conversion is complete. If the user has not read the conversion before the completion of the next conversion, or if insufficient

serial clocks are applied to the AD4115 to read the data-word, the serial output register resets shortly before the next conversion is complete, and the new conversion is placed in the output serial register. The ADC must be configured for continuous conversion mode to use continuous read mode. To enable continuous read mode, set the CONTREAD bit in the interface mode register. When this bit is set, the only serial interface operations possible are reads from the data register. To exit continuous read mode, issue a dummy read of the ADC data register command (0x44) while the $\overline{\text{RDY}}$ output is low.

Alternatively, apply a software reset (64 serial clocks with $\overline{\text{CS}} = 0$ and $\text{DIN} = 1$) to reset the ADC and all register contents. The dummy read and the software reset are the only commands that the interface recognizes after the interface is placed in continuous read mode. Hold DIN low in continuous read mode until an instruction is to be written to the device.

If multiple ADC channels are enabled, each channel is output in turn with the status bits appended to the data if the DATA_STAT bit is set in the interface mode register. The four LSBs of the status register indicate the channel to which the conversion corresponds.

SINGLE CONVERSION MODE

In single conversion mode (see Figure 44), the AD4115 performs a single conversion and is placed in standby mode when the conversion is complete. The $\overline{\text{RDY}}$ output goes low to indicate the completion of a conversion. When the data-word is read from the data register, the $\overline{\text{RDY}}$ output goes high. The data register can be read several times, if required, even when the $\overline{\text{RDY}}$ output goes high.

If several channels are enabled, the ADC automatically sequences through the enabled channels and performs a conversion on each channel. When the first conversion starts, the $\overline{\text{RDY}}$ output goes high and remains high until a valid conversion is available and $\overline{\text{CS}}$ is low. When the conversion is available, the $\overline{\text{RDY}}$ output goes low and the ADC selects the next channel and begins a conversion. The user can read the present conversion while the next conversion is performed. When the next conversion is complete, the data register updates, which allows the user a limited period in which to read the conversion. When the ADC performs a single conversion on each selected channel, the ADC returns to standby mode.

If the DATA_STAT bit in the interface mode register is set to 1, the contents of the status register and the conversion are output each time the data register is read. The four LSBs of the status register indicate the channel to which the conversion corresponds.

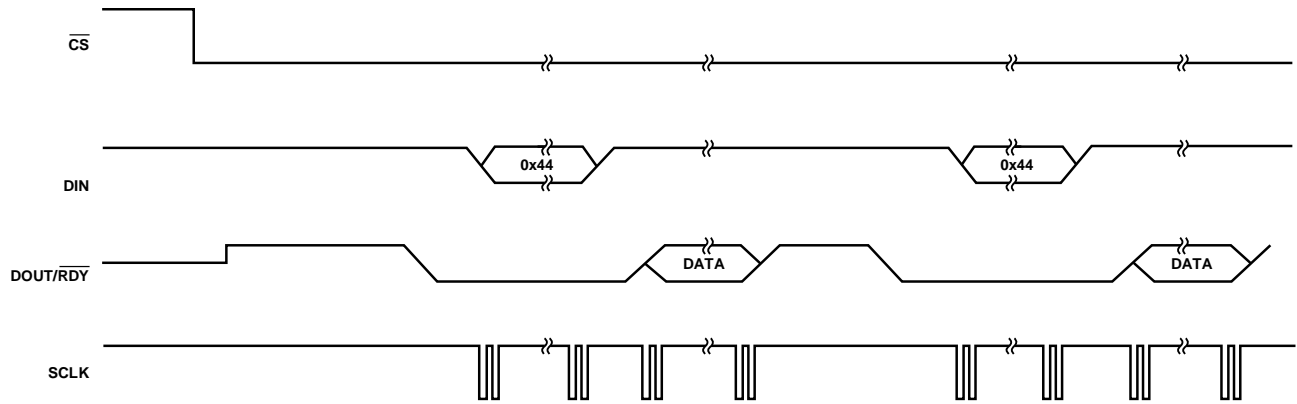


Figure 42. SPI Communication in Continuous Conversion Mode

23874-030

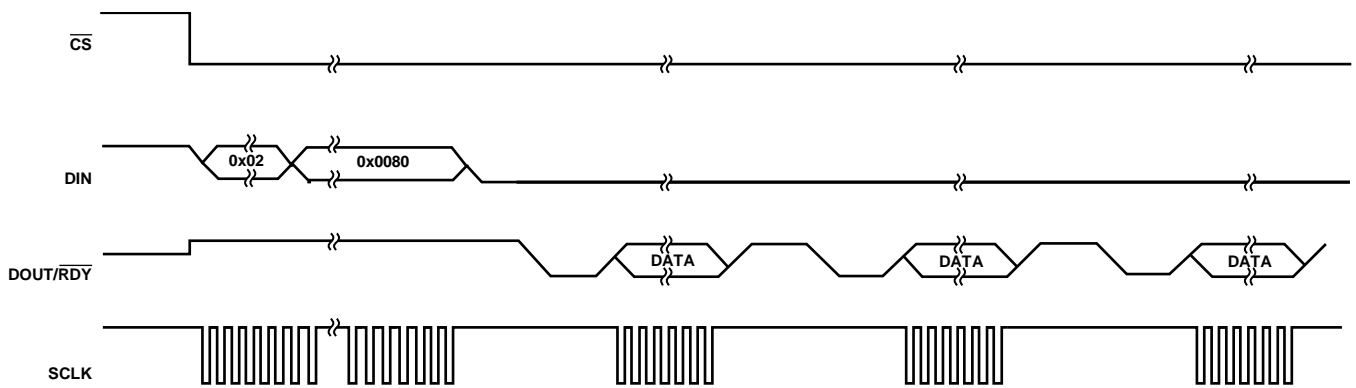


Figure 43. SPI Communication in Continuous Read Mode

23874-031

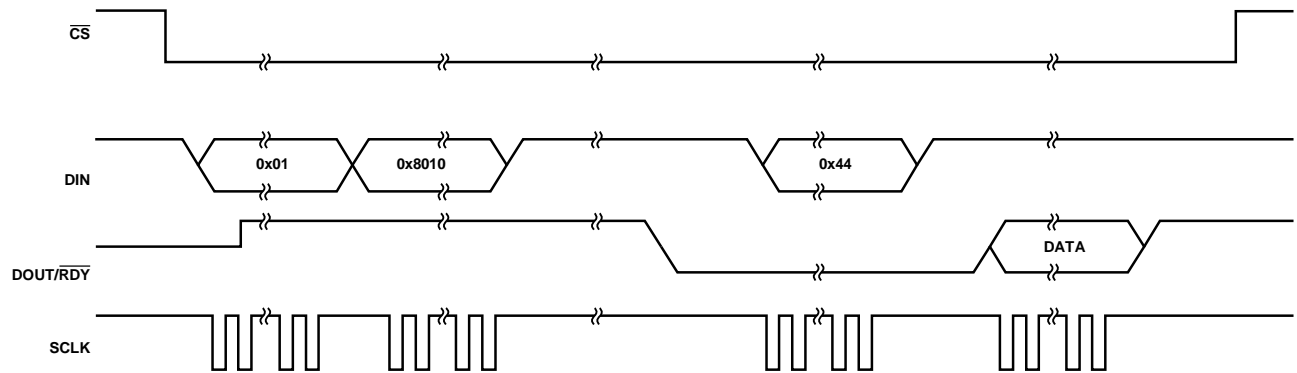


Figure 44. SPI Communication in Single Conversion Mode

23874-032

STANDBY MODE AND POWER-DOWN MODE

In standby mode, most blocks are powered down. The LDO regulators remain active so that the registers maintain the individual register contents. The crystal oscillator remains active if selected. To power down the clock in standby mode, set the CLOCKSEL bits in the ADC mode register to 00 (internal oscillator).

In power-down mode, all blocks are powered down, including the LDO regulators. All registers lose the individual register contents and the GPIO outputs are placed in three-state. To prevent accidental entry into power-down mode, place the ADC in standby mode first. Exiting power-down mode requires a serial interface reset (64 serial clocks with $\overline{CS} = 0$ and $DIN = 1$). A delay of 500 μs is recommended before issuing a subsequent serial interface command to allow the LDO regulator to power up.

CALIBRATION MODES

The AD4115 allows the user to perform a two-point calibration to eliminate any offset and gain errors. The following four calibration modes are used to eliminate these offset and gain errors on a per setup basis:

- Internal zero-scale calibration mode
- Internal full-scale calibration mode
- System zero-scale calibration mode
- System full-scale calibration mode

Only one channel can be active during calibration. After each conversion, the ADC conversion result is scaled using the ADC calibration registers before being written to the data register.

The default value of the offset register is 0x800000, and the default value of the gain register is 0x5XXXX0. The following equations show the calculations used to scale the ADC conversion result. In unipolar mode, the ideal relationship (not considering the ADC gain error and offset error) is calculated as follows:

$$Data = ((0.075 \times V_{IN}/V_{REF}) \times 2^{23} - (Offset - 0x800000)) \times (Gain/0x400000) \times 2$$

In bipolar mode, the ideal relationship (not considering the ADC gain error and offset error) is calculated as follows:

$$Data = ((0.075 \times V_{IN}/V_{REF}) \times 2^{23} - (Offset - 0x800000)) \times (Gain/0x400000) + 0x800000$$

To start a calibration, write the relevant value to the Mode bits in the ADC mode register Bits[6:4]. The $\overline{DOUT}/\overline{RDY}$ pin and the \overline{RDY} bit in the status register go high when the calibration

initiates. When the calibration is complete, the contents of the corresponding offset or gain register update, the \overline{RDY} bit in the status register resets, the \overline{RDY} output pin returns low (if \overline{CS} is low), and the AD4115 reverts to standby mode.

During an internal offset calibration both modulator inputs are connected internally to the selected negative analog input pin, and the user must ensure that the voltage on the selected negative analog input pin does not exceed the allowed limits and is free from excessive noise and interference. A full-scale input voltage automatically connects to the ADC input to perform an internal full-scale calibration.

For system calibrations, apply the system zero-scale (offset) and system full-scale (gain) voltages to the input pins before initiating the calibration modes. As a result, errors external to the AD4115 are removed. The calibration range of the ADC gain for a system full-scale calibration on a voltage input is from $3.75 \times V_{REF}$ to $10.5 \times V_{REF}$. If $10.5 \times V_{REF}$ is greater than the absolute input voltage specification for the applied AVDD, use the specification as the upper limit instead of $10.5 \times V_{REF}$ (see the Specifications section).

An internal zero-scale calibration only removes the offset error of the ADC core. This calibration does not remove error from the resistive front end. A system zero-scale calibration reduces the offset error to the order of the noise on that channel.

From an operational point of view, treat a calibration like another ADC conversion. Always perform an offset calibration, if required, before a full-scale calibration. Set the system software to monitor the \overline{RDY} bit in the status register or the \overline{RDY} output to determine the end of a calibration via a polling sequence or an interrupt driven routine. All calibrations require a time equal to the settling time of the selected filter and output data rate to be completed.

Any calibration can be performed at any output data rate. Lower output data rates result in higher calibration accuracy and the calibration is accurate for all output data rates. A new offset calibration is required for a given channel if the reference source for that channel is changed.

The AD4115 provides access to the on-chip offset and gain calibration registers to allow the microprocessor to read the device calibration coefficients and to write the stored calibration coefficients. A read or write of the offset and gain registers can be performed at any time except during an internal or self calibration.

DIGITAL INTERFACE

The programmable functions of the AD4115 are accessible via the SPI. The serial interface consists of four signals: \overline{CS} , DIN, SCLK, and DOUT/RDY. The DIN line transfers data into the on-chip registers. The DOUT output accesses data from the on-chip registers. SCLK is the serial clock input for the device. All data transfers (either on DIN or on DOUT) occur with respect to the SCLK signal.

The DOUT/RDY pin also functions as a data ready signal where the line goes low if \overline{CS} is low when a new data-word is available in the data register. The pin resets high when a read operation from the data register is complete. The \overline{RDY} output also goes high before updating the data register to indicate when not to read from the device to ensure that a data read is not attempted while the register is updated. Take care to avoid reading from the data register when the \overline{RDY} signal is about to go low. To ensure that no data read occurs, always monitor the \overline{RDY} output. Start reading the data register as soon as \overline{RDY} goes low and ensure a sufficient SCLK rate such that the read is completed before the next conversion result. \overline{CS} is used to select a device and can be used to decode the AD4115 in systems where several components are connected to the serial bus.

The timing diagrams in Figure 2 and Figure 3 show interfacing to the AD4115 using \overline{CS} to decode the device. Figure 2 shows the timing for a read operation from the AD4115, and Figure 3 shows the timing for a write operation to the AD4115. The user can read from the data register several times even though the \overline{RDY} output returns high after the first read operation. Ensure that the read operations are complete before the next output update occurs. In continuous read mode, the data register can be read only once.

To operate the serial interface in 3-wire mode, tie \overline{CS} low. In this case, the SCLK, DIN, and DOUT/ \overline{RDY} lines are used to communicate with the AD4115. The end of the conversion can also be monitored using the \overline{RDY} bit in the status register.

To reset the serial interface, write 64 serial clocks with $\overline{CS} = 0$ and $DIN = 1$. A reset returns the interface to the state in which the interface expects a write to the communications register. This operation resets the contents of all registers to the power-on values. Following a reset, wait 500 μ s before addressing the serial interface.

CHECKSUM PROTECTION

The AD4115 has a checksum mode that can be used to improve interface robustness. Use the checksum to ensure that only valid data is written to a register and to allow the data read from a register to be validated. If an error occurs during a register write, the CRC_ERROR bit is set in the status register. To ensure that the register write is complete, read back the register and verify the checksum.

For CRC checksum calculations during a write operation, the following polynomial is always used:

$$x^8 + x^2 + x + 1$$

During read operations, the user can select between this polynomial and a similar exclusive OR (XOR) function. The XOR function requires less time to process on the host microcontroller than the polynomial-based checksum. The CRC_EN bits in the interface mode register enable and disable the checksum and allow the user to select between the polynomial checksum and the simple XOR checksum.

The checksum is appended to the end of each read and write transaction. The checksum calculation for the write transaction is calculated using the 8-bit command word and the 8-bit to 24-bit data. For a read transaction, the checksum is calculated using the command word and the 8-bit to 32-bit data output. Figure 21 and Figure 22 show SPI write and read transactions, respectively.

If checksum protection is enabled when continuous read mode is active, an implied read data command of 0x44 occurs before each data transmission, which must be accounted for when calculating the checksum value. The checksum protection ensures a nonzero checksum value even if the ADC data equals 0x000000.

CRC CALCULATION***Polynomial***

The checksum, which is eight bits wide, is generated using the following polynomial:

$$x^8 + x^2 + x + 1$$

To generate the checksum, the data is left shifted by eight bits to create a number ending in eight Logic 0s. The polynomial is aligned so that the MSB is adjacent to the leftmost Logic 1 of the data. An XOR function is applied to the data to produce a new, shorter number. The polynomial is aligned again so that the

MSB is adjacent to the leftmost Logic 1 of the new result and the procedure is repeated. This process is repeated until the original data is reduced to a value less than the polynomial. This value is the 8-bit checksum.

Example of a Polynomial CRC Calculation—24-Bit Word: 0x654321 (Eight Command Bits and 16-Bit Data)

An example of generating the 8-bit checksum using the polynomial based checksum is as follows:

| | | |
|-----------------------|----------------------------------|-------------------------|
| Initial value | 011001010100001100100001 | |
| | 01100101010000110010000100000000 | left shifted eight bits |
| $x^8 + x^2 + x + 1 =$ | 100000111 | polynomial |
| | 100100100000110010000100000000 | XOR result |
| | 100000111 | polynomial |
| | 1000110001100100001000000000 | XOR result |
| | 100000111 | polynomial |
| | 111111100100001000000000 | XOR result |
| | 100000111 | polynomial value |
| | 1111101110000100000000 | XOR result |
| | 100000111 | polynomial value |
| | 1111000000001000000000 | XOR result |
| | 100000111 | polynomial value |
| | 11100111000100000000 | XOR result |
| | 100000111 | polynomial value |
| | 1100100100100000000 | XOR result |
| | 100000111 | polynomial value |
| | 100101010100000000 | XOR result |
| | 100000111 | polynomial value |
| | 1011011000000000 | XOR result |
| | 100000111 | polynomial value |
| | 1101011000000 | XOR result |
| | 100000111 | polynomial value |
| | 101010110000 | XOR result |
| | 100000111 | polynomial value |
| | 1010001000 | XOR result |
| | 100000111 | polynomial value |
| | 10000110 | checksum = 0x86. |

XOR Calculation

The checksum, which is eight bits wide, is generated by splitting the data into bytes and then performing an XOR of the bytes.

Example of an XOR Calculation—24-Bit Word: 0x654321 (Eight Command Bits and 16-Bit Data)

Using the previous polynomial example, divide the checksum into three bytes (0x65, 0x43, and 0x21) which results in the following XOR calculation:

| | |
|----------|------------|
| 01100101 | 0x65 |
| 01000011 | 0x43 |
| 00100110 | XOR result |
| 00100001 | 0x21 |
| 00000111 | CRC |

INTEGRATED FUNCTIONS

GENERAL-PURPOSE INPUT/OUTPUT

The AD4115 has two general-purpose digital input/output pins (GPIO0 and GPIO1) and two general-purpose digital output pins (GPO2 and GPO3). The GPIO0 and GPIO1 pins can be configured either as inputs or as outputs, but GPO2 and GPO3 are outputs only. To enable the GPIOx and GPOx pins, use the following bits in the GPIOCON register: IP_EN0 and IP_EN1 (or OP_EN0 and OP_EN1) for GPIO0 and GPIO1, and OP_EN2_3 for GPO2 and GPO3.

When the GPIO0 or GPIO1 pin is enabled as an input, the logic level at the pin is contained in the GP_DATA0 bit or GP_DATA1 bit of the GPIOCON register, respectively. When the GPIO0, GPIO1, GPO2, or GPO3 pin is enabled as an output, the GP_DATA0, GP_DATA1, GP_DATA2, or GP_DATA3 bit, respectively, determines the logic level output at the pin. The logic levels for these pins are referenced to AVDD and AVSS and the outputs have an amplitude of either 5 V or 3.3 V, depending on the AVDD – AVSS voltage.

The ERROR pin can also be used as a general-purpose output if the ERR_EN bits in the GPIOCON register are set to 11. In this configuration, the ERR_DAT bit in the GPIOCON register determines the logic level output at the ERROR pin. The logic level for the pin is referenced to IOVDD and DGND, and the ERROR pin has an active pull-up.

EXTERNAL MULTIPLEXER CONTROL

If an external multiplexer is used to increase the channel count, the multiplexer logic pins can be controlled using the AD4115 GPIOx and GPOx pins. When the MUX_IO bit is set in the GPIOCON register, the timing of the GPIOx pins is controlled by the ADC and the channel change is synchronized with the ADC, which eliminates any need for external synchronization.

DELAY

The user can insert a programmable delay before the AD4115 starts to take samples. This delay allows an external amplifier or multiplexer to settle and alleviates the specification requirements for the external amplifier or multiplexer. Eight programmable settings, ranging from 0 μ s to 8 ms, can be set using the delay bits in the ADC mode register (Register 0x01, Bits[10:8]).

16-BIT AND 24-BIT CONVERSIONS

By default, the AD4115 generates 24-bit conversions. However, the width of the conversions can be reduced to 16 bits. Set Bit WL16 in the interface mode register to 1 to round all data conversions to 16 bits. Clear this bit to set the width of the data conversions to 24 bits.

DOUT_RESET

The serial interface uses a shared DOUT/ $\overline{\text{RDY}}$ pin. By default, this pin outputs the signal. During a data read, this pin outputs the data from the register being read. When the read is complete, the pin reverts to output the $\overline{\text{RDY}}$ signal after a short fixed period of time (t_r). Note that this time may be too short for some microcontrollers and can be extended until the $\overline{\text{CS}}$ pin is brought high. Set the DOUT_RESET bit in the interface mode register to 1 to extend the time and require that $\overline{\text{CS}}$ must frame each read operation and complete the serial interface transaction.

SYNCHRONIZATION

Normal Synchronization

When the SYNC_EN bit in the GPIOCON register is set to 1, the $\overline{\text{SYNC}}$ pin functions as a synchronization input pin. The $\overline{\text{SYNC}}$ input allows the user to reset the modulator and the digital filter without affecting any setup conditions on the device. This reset allows the user to start gathering samples of the analog input from a known point in time, that is, the $\overline{\text{SYNC}}$ rising edge. This pin must be low for at least one master clock cycle to ensure that synchronization occurs. If multiple channels are enabled, the sequencer is reset to the first enabled channel.

If multiple AD4115 devices are operated from a common master clock, the devices can be synchronized so that the corresponding data registers are updated simultaneously. Synchronization is typically completed after each AD4115 performs a calibration or when calibration coefficients are loaded into the device calibration registers. A falling edge on the $\overline{\text{SYNC}}$ pin resets the digital filter and the analog modulator and places the AD4115 into a consistent known state. While the $\overline{\text{SYNC}}$ pin is low, the AD4115 remains in this state. On the $\overline{\text{SYNC}}$ rising edge, the modulator and filter are taken out of this reset state and the device starts to gather input samples again on the next master clock edge.

The device exits reset on the master clock falling edge following the $\overline{\text{SYNC}}$ low to high transition. Therefore, when multiple devices are synchronized, take the $\overline{\text{SYNC}}$ pin high on the master clock rising edge to ensure that all devices begin sampling on the master clock falling edge. If the $\overline{\text{SYNC}}$ pin is not taken high in sufficient time, a difference can occur of one master clock cycle between the devices. That is, the instant at which conversions are available differs from device to device by a maximum of one master clock cycle.

The $\overline{\text{SYNC}}$ input can also be used as a start conversion command for a single channel when in normal synchronization mode. In this mode, the rising edge of the $\overline{\text{SYNC}}$ input starts a conversion, and the falling edge of the $\overline{\text{RDY}}$ output indicates when the conversion is complete. The settling time of the filter is required for each data register update. When the conversion is complete, bring the $\overline{\text{SYNC}}$ input low in preparation for the next conversion start signal.

Alternate Synchronization Mode

In alternate synchronization mode, the $\overline{\text{SYNC}}$ input operates as a start conversion command when several AD4115 channels are enabled. Set the ALT_SYNC bit in the interface mode register to 1 to enable an alternate synchronization scheme. When the $\overline{\text{SYNC}}$ input is taken low, the ADC completes the conversion on the enabled channel, selects the next channel in the sequence, and then waits until the $\overline{\text{SYNC}}$ input is taken high to start the conversion. The $\overline{\text{RDY}}$ output goes low when the conversion is complete on the current channel, and the data register is updated with the corresponding conversion. The $\overline{\text{SYNC}}$ input does not interfere with the sampling on the currently selected channel but allows the user to control the instant at which the conversion begins on the next channel in the sequence.

Alternate synchronization mode can only be used when several channels are enabled. Do not use this mode when a single channel is enabled.

ERROR FLAGS

The status register contains three error bits (ADC_ERROR , CRC_ERROR , and REG_ERROR) that flag errors in the ADC conversion, errors in the CRC check, and errors caused by changes in the registers, respectively. The $\overline{\text{ERROR}}$ output can also indicate that an error has occurred.

ADC_ERROR

The ADC_ERROR bit in the status register flags any errors that occur during the conversion process. The flag is set when an overrange or underrange result is output from the ADC. The ADC also outputs all 0s or all 1s when an undervoltage or overvoltage occurs, respectively. This flag only resets when the overvoltage or undervoltage is removed. This flag is not reset by a read of the data register.

CRC_ERROR

If the CRC value that accompanies a write operation does not correspond with the information sent, the CRC_ERROR flag is set. The flag resets as soon as the status register is explicitly read.

REG_ERROR

The REG_ERROR flag is used in conjunction with the REG_CHECK bit in the interface mode register. When the REG_CHECK bit is set, the AD4115 monitors the values in the on-chip registers. If a bit changes, the REG_ERROR bit is set to 1. For writes to the on-chip registers, set the REG_CHECK bit to 0. When the registers are updated, the REG_CHECK bit can be set to 1. The AD4115 calculates a checksum of the on-chip registers. If one register value has changed, the REG_ERROR bit is set to 1. If an error is flagged, set the REG_CHECK bit to 0 to clear the REG_ERROR bit in the status register. The register check function does not monitor the data register, status register, or interface mode register.

ERROR Input/Output

The $\overline{\text{ERROR}}$ pin functions as an error input/output pin or as a general-purpose output pin. The ERR_EN bits in the GPIOCON register determine the function of the pin.

When the ERR_EN bits are set to 10, the $\overline{\text{ERROR}}$ pin functions as an open-drain error output. The three error bits in the status register (ADC_ERROR , CRC_ERROR , and REG_ERROR) are OR'ed, inverted, and mapped to the $\overline{\text{ERROR}}$ output. Therefore, the $\overline{\text{ERROR}}$ output indicates that an error has occurred. Read the status register to identify the error source.

When the ERR_EN bits are set to 01, the $\overline{\text{ERROR}}$ pin functions as an error input. The error output of another component can be connected to the AD4115 $\overline{\text{ERROR}}$ input so that the AD4115 indicates when an error occurs on either the device or the external component. The value on the $\overline{\text{ERROR}}$ input is inverted and OR'ed with the errors from the ADC conversion, and the result is indicated via the ADC_ERROR bit in the status register. The value of the $\overline{\text{ERROR}}$ input is reflected in the ERR_DAT bit in the GPIO configuration register.

The $\overline{\text{ERROR}}$ input/output is disabled when the ERR_EN bits are set to 00. When the ERR_EN bits are set to 11, the $\overline{\text{ERROR}}$ pin operates as a general-purpose output where the ERR_DAT bit determines the logic level of the pin.

DATA_STAT FUNCTION

The contents of the status register can be appended to each conversion on the AD4115 using the DATA_STAT bit in the IFMODE register. This function is useful if several channels are enabled. Each time a conversion is output, the contents of the status register are appended. The four LSBs of the status register indicate to which channel the conversion corresponds. In addition, the user can determine if any errors are flagged by the error bits.

IOSTRENGTH FUNCTION

The serial interface can operate with a power supply as low as 2 V. However, at this low voltage, the DOUT/RDY pin may not have sufficient drive strength if there is moderate parasitic capacitance on the PCB or if the SCLK frequency is high. The IOSTRENGTH bit in the interface mode register increases the drive strength of the DOUT/RDY pin.

INTERNAL TEMPERATURE SENSOR

The AD4115 has an integrated temperature sensor that can be used as a guide for the ambient temperature at which the device is operating. The ambient temperature can be used for diagnostic purposes or as an indicator of when the application circuit must rerun a calibration routine to consider a shift in operating temperature. Select the temperature sensor using the multiplexer in the same way as an input channel.

The temperature sensor requires the input buffers to be enabled on both inputs and for the internal reference to be enabled.

To use the temperature sensor, calibrate the device in a known temperature (25°C) and take a conversion as a reference point. The temperature sensor has a nominal sensitivity of 477 $\mu\text{V}/\text{K}$. The difference in this ideal slope and the slope measured calibrates the temperature sensor. The temperature sensor is specified with a $\pm 2^\circ\text{C}$ typical accuracy after calibration at 25°C. Calculate the temperature with the following equation:

$$\text{Temperature} = (\text{Conversion Result}/477 \mu\text{V}) - 273.15$$

APPLICATIONS INFORMATION

GROUNDING AND LAYOUT

The inputs and reference inputs are differential and most voltages in the analog modulator are common-mode voltages. The high common-mode rejection of the device removes common-mode noise on these inputs. The analog and digital supplies to the AD4115 are independent and separately pinned out to minimize coupling between the analog and digital sections of the device. The digital filter provides rejection of broadband noise on the power supplies, except at integer multiples of the master clock frequency.

The digital filter also removes noise from the analog inputs and reference inputs, provided that these noise sources do not saturate the analog modulator. As a result, the AD4115 is more immune to noise interference than a conventional high resolution converter. However, because the resolution of the AD4115 is high and the noise levels from the converter are low, take care regarding grounding and layout.

The PCB that houses the ADC must be designed so that the analog and digital sections are separated and confined to certain areas of the PCB. A minimum etch technique is optimal for ground planes and results in optimal shielding.

In any layout, the user must keep in mind the flow of currents in the system to ensure that the paths for all return currents are as close as possible to the paths that the currents took to reach the corresponding destinations.

Avoid running digital lines under the device. This layout couples noise onto the die and allows the analog ground plane to run under the AD4115 to prevent noise coupling. The power

supply lines to the AD4115 must use as wide a trace as possible to provide low impedance paths and reduce glitches on the power supply line. Shield the fast switching signals, such as clocks, with digital ground to prevent radiating noise to other sections of the PCB and never run clock signals near the inputs. Avoid digital and analog signal crossover. Run traces on opposite sides of the PCB at right angles to each other. This layout reduces the effects of feedthrough on the PCB. A microstrip technique is optimal but is not always possible with a double sided PCB. In this technique, the component side of the PCB is dedicated to ground planes and signals are placed on the solder side.

Ensure that proper decoupling is used when using high resolution ADCs. The AD4115 has two power supply pins, AVDD and IOVDD. The AVDD pin is referenced to AVSS, and the IOVDD pin is referenced to DGND. Decouple AVDD with a 10 μF tantalum capacitor in parallel with a 0.1 μF capacitor to AVSS on each pin. Place the 0.1 μF capacitor as close as possible to the device on each supply, ideally directly against the device. Decouple IOVDD with a 10 μF tantalum capacitor in parallel with a 0.1 μF capacitor to DGND. Decouple all inputs to AVSS. If an external reference is used, decouple the REF+ and REF- pins to AVSS.

The AD4115 has two on-chip LDO regulators. One regulator regulates the AVDD supply and the other regulates the IOVDD supply. For the REGCAPA pin, use 1 μF and 0.1 μF capacitors to decouple to AVSS. Similarly, for the REGCAPD pin, use a 1 μF capacitor to decouple to DGND.

REGISTER SUMMARY

Table 19. Register Summary

| Register | Name | Bits | Bit 7 | Bit 6 | Bit 5 | Bit 4 | Bit 3 | Bit 2 | Bit 1 | Bit 0 | Reset | R/W | |
|----------|-----------|---------|-----------------------|-------------|-----------|--------------|------------|----------|--------------|------------|--------|----------|---|
| 0x00 | COMMS | [7:0] | WEN | R/W | RA | | | | | | 0x00 | W | |
| 0x00 | Status | [7:0] | RDY | ADC_ERROR | CRC_ERROR | REG_ERROR | Channel | | | | 0x80 | R | |
| 0x01 | ADCMODE | [15:8] | REF_EN | Reserved | SING_CYC | Reserved | | Delay | | | 0x2000 | R/W | |
| | | [7:0] | Reserved | Mode | | | CLOCKSEL | | Reserved | | | | |
| 0x02 | IFMODE | [15:8] | Reserved | | | ALT_SYNC | IOSTRENGTH | Reserved | | DOUT_RESET | 0x0000 | R/W | |
| | | [7:0] | CONTREAD | DATA_STAT | REG_CHECK | Reserved | CRC_EN | | Reserved | WL16 | | | |
| 0x03 | REGCHECK | [23:16] | REGISTER_CHECK[23:16] | | | | | | | | | 0x000000 | R |
| | | [15:8] | REGISTER_CHECK[15:8] | | | | | | | | | | |
| | | [7:0] | REGISTER_CHECK[7:0] | | | | | | | | | | |
| 0x04 | Data | [23:0] | Data[23:16] | | | | | | | | | 0x000000 | R |
| | | [15:8] | Data[15:8] | | | | | | | | | | |
| | | [7:0] | Data[7:0] | | | | | | | | | | |
| 0x06 | GPIOCON | [15:8] | Reserved | | OP_EN2_3 | MUX_IO | SYNC_EN | ERR_EN | | ERR_DAT | 0x0800 | R/W | |
| | | [7:0] | GP_DATA3 | GP_DATA2 | IP_EN1 | IP_EN0 | OP_EN1 | OP_EN0 | GP_DATA1 | GP_DATA0 | | | |
| 0x07 | ID | [15:8] | ID[15:8] | | | | | | | | | 0x38DX | R |
| | | [7:0] | ID[7:0] | | | | | | | | | | |
| 0x10 | CH0 | [15:8] | CH_EN0 | SETUP_SEL0 | | | Reserved | | INPUT0[9:8] | | 0x8001 | R/W | |
| | | [7:0] | INPUT0[7:0] | | | | | | | | | | |
| 0x11 | CH1 | [15:8] | CH_EN1 | SETUP_SEL1 | | | Reserved | | INPUT1[9:8] | | 0x0001 | R/W | |
| | | [7:0] | INPUT1[7:0] | | | | | | | | | | |
| 0x12 | CH2 | [15:8] | CH_EN2 | SETUP_SEL2 | | | Reserved | | INPUT2[9:8] | | 0x0001 | R/W | |
| | | [7:0] | INPUT2[7:0] | | | | | | | | | | |
| 0x13 | CH3 | [15:8] | CH_EN3 | SETUP_SEL3 | | | Reserved | | INPUT3[9:8] | | 0x0001 | R/W | |
| | | [7:0] | INPUT3[7:0] | | | | | | | | | | |
| 0x14 | CH4 | [15:8] | CH_EN4 | SETUP_SEL4 | | | Reserved | | INPUT4[9:8] | | 0x0001 | R/W | |
| | | [7:0] | INPUT4[7:0] | | | | | | | | | | |
| 0x15 | CH5 | [15:8] | CH_EN5 | SETUP_SEL5 | | | Reserved | | INPUT5[9:8] | | 0x0001 | R/W | |
| | | [7:0] | INPUT5[7:0] | | | | | | | | | | |
| 0x16 | CH6 | [15:8] | CH_EN6 | SETUP_SEL6 | | | Reserved | | INPUT6[9:8] | | 0x0001 | R/W | |
| | | [7:0] | INPUT6[7:0] | | | | | | | | | | |
| 0x17 | CH7 | [15:8] | CH_EN7 | SETUP_SEL7 | | | Reserved | | INPUT7[9:8] | | 0x0001 | R/W | |
| | | [7:0] | INPUT7[7:0] | | | | | | | | | | |
| 0x18 | CH8 | [15:8] | CH_EN8 | SETUP_SEL8 | | | Reserved | | INPUT8[9:8] | | 0x0001 | R/W | |
| | | [7:0] | INPUT8[7:0] | | | | | | | | | | |
| 0x19 | CH9 | [15:8] | CH_EN9 | SETUP_SEL9 | | | Reserved | | INPUT9[9:8] | | 0x0001 | R/W | |
| | | [7:0] | INPUT9[7:0] | | | | | | | | | | |
| 0x1A | CH10 | [15:8] | CH_EN10 | SETUP_SEL10 | | | Reserved | | INPUT10[9:8] | | 0x0001 | R/W | |
| | | [7:0] | Input10[7:0] | | | | | | | | | | |
| 0x1B | CH11 | [15:8] | CH_EN11 | SETUP_SEL11 | | | Reserved | | INPUT11[9:8] | | 0x0001 | R/W | |
| | | [7:0] | INPUT11[7:0] | | | | | | | | | | |
| 0x1C | CH12 | [15:8] | CH_EN12 | SETUP_SEL12 | | | Reserved | | INPUT12[9:8] | | 0x0001 | R/W | |
| | | [7:0] | INPUT12[7:0] | | | | | | | | | | |
| 0x1D | CH13 | [15:8] | CH_EN13 | SETUP_SEL13 | | | Reserved | | INPUT13[9:8] | | 0x0001 | R/W | |
| | | [7:0] | INPUT13[7:0] | | | | | | | | | | |
| 0x1E | CH14 | [15:8] | CH_EN14 | SETUP_SEL14 | | | Reserved | | INPUT14[9:8] | | 0x0001 | R/W | |
| | | [7:0] | INPUT14[7:0] | | | | | | | | | | |
| 0x1F | CH15 | [15:8] | CH_EN15 | SETUP_SEL15 | | | Reserved | | INPUT15[9:8] | | 0x0001 | R/W | |
| | | [7:0] | INPUT15[7:0] | | | | | | | | | | |
| 0x20 | SETUPCON0 | [15:8] | Reserved | | | BI_UNIPOLAR0 | REFBUF0+ | REFBUF0- | INBUF0 | | 0x1000 | R/W | |
| | | [7:0] | Reserved | | REF_SEL0 | | Reserved | | | | | | |
| 0x21 | SETUPCON1 | [15:8] | Reserved | | | BI_UNIPOLAR1 | REFBUF1+ | REFBUF1- | INBUF1 | | 0x1000 | R/W | |
| | | [7:0] | Reserved | | REF_SEL1 | | Reserved | | | | | | |

| Register | Name | Bits | Bit 7 | Bit 6 | Bit 5 | Bit 4 | Bit 3 | Bit 2 | Bit 1 | Bit 0 | Reset | R/W | |
|----------|-----------|--------|---------------|----------|----------|--------------|------------|----------|--------|--------|--------|----------|-----|
| 0x22 | SETUPCON2 | [15:8] | Reserved | | | BI_UNIPOLAR2 | REFBUF2+ | REFBUF2- | INBUF2 | | 0x1000 | R/W | |
| | | [7:0] | Reserved | | REF_SEL2 | | Reserved | | | | | | |
| 0x23 | SETUPCON3 | [15:8] | Reserved | | | BI_UNIPOLAR3 | REFBUF3+ | REFBUF3- | INBUF3 | | 0x1000 | R/W | |
| | | [7:0] | Reserved | | REF_SEL3 | | Reserved | | | | | | |
| 0x24 | SETUPCON4 | [15:8] | Reserved | | | BI_UNIPOLAR4 | REFBUF4+ | REFBUF4- | INBUF4 | | 0x1000 | R/W | |
| | | [7:0] | Reserved | | REF_SEL4 | | Reserved | | | | | | |
| 0x25 | SETUPCON5 | [15:8] | Reserved | | | BI_UNIPOLAR5 | REFBUF5+ | REFBUF5- | INBUF5 | | 0x1000 | R/W | |
| | | [7:0] | Reserved | | REF_SEL5 | | Reserved | | | | | | |
| 0x26 | SETUPCON6 | [15:8] | Reserved | | | BI_UNIPOLAR6 | REFBUF6+ | REFBUF6- | INBUF6 | | 0x1000 | R/W | |
| | | [7:0] | Reserved | | REF_SEL6 | | Reserved | | | | | | |
| 0x27 | SETUPCON7 | [15:8] | Reserved | | | BI_UNIPOLAR7 | REFBUF7+ | REFBUF7- | INBUF7 | | 0x1000 | R/W | |
| | | [7:0] | Reserved | | REF_SEL7 | | Reserved | | | | | | |
| 0x28 | FILTCON0 | [15:8] | SINC3_MAP0 | Reserved | | | ENHFILTEN0 | ENHFILT0 | | 0x0500 | R/W | | |
| | | [7:0] | Reserved | ORDER0 | | ODR0 | | | | | | | |
| 0x29 | FILTCON1 | [15:8] | SINC3_MAP1 | Reserved | | | ENHFILTEN1 | ENHFILT1 | | 0x0500 | R/W | | |
| | | [7:0] | Reserved | ORDER1 | | ODR1 | | | | | | | |
| 0x2A | FILTCON2 | [15:8] | SINC3_MAP2 | Reserved | | | ENHFILTEN2 | ENHFILT2 | | 0x0500 | R/W | | |
| | | [7:0] | Reserved | ORDER2 | | ODR2 | | | | | | | |
| 0x2B | FILTCON3 | [15:8] | SINC3_MAP3 | Reserved | | | ENHFILTEN3 | ENHFILT3 | | 0x0500 | R/W | | |
| | | [7:0] | Reserved | ORDER3 | | ODR3 | | | | | | | |
| 0x2C | FILTCON4 | [15:8] | SINC3_MAP4 | Reserved | | | ENHFILTEN4 | ENHFILT4 | | 0x0500 | R/W | | |
| | | [7:0] | Reserved | ORDER4 | | ODR4 | | | | | | | |
| 0x2D | FILTCON5 | [15:8] | SINC3_MAP5 | Reserved | | | ENHFILTEN5 | ENHFILT5 | | 0x0500 | R/W | | |
| | | [7:0] | Reserved | ORDER5 | | ODR5 | | | | | | | |
| 0x2E | FILTCON6 | [15:8] | SINC3_MAP6 | Reserved | | | ENHFILTEN6 | ENHFILT6 | | 0x0500 | R/W | | |
| | | [7:0] | Reserved | ORDER6 | | ODR6 | | | | | | | |
| 0x2F | FILTCON7 | [15:8] | SINC3_MAP7 | Reserved | | | ENHFILTEN7 | ENHFILT7 | | 0x0500 | R/W | | |
| | | [7:0] | Reserved | ORDER7 | | ODR7 | | | | | | | |
| 0x30 | OFFSET0 | [23:0] | OFFSET0[23:0] | | | | | | | | | 0x800000 | R/W |
| 0x31 | OFFSET1 | [23:0] | OFFSET1[23:0] | | | | | | | | | 0x800000 | R/W |
| 0x32 | OFFSET2 | [23:0] | OFFSET2[23:0] | | | | | | | | | 0x800000 | R/W |
| 0x33 | OFFSET3 | [23:0] | OFFSET3[23:0] | | | | | | | | | 0x800000 | R/W |
| 0x34 | OFFSET4 | [23:0] | OFFSET4[23:0] | | | | | | | | | 0x800000 | R/W |
| 0x35 | OFFSET5 | [23:0] | OFFSET5[23:0] | | | | | | | | | 0x800000 | R/W |
| 0x36 | OFFSET6 | [23:0] | OFFSET6[23:0] | | | | | | | | | 0x800000 | R/W |
| 0x37 | OFFSET7 | [23:0] | OFFSET7[23:0] | | | | | | | | | 0x800000 | R/W |
| 0x38 | GAIN0 | [23:0] | GAIN0[23:0] | | | | | | | | | 0x5XXXX0 | R/W |
| 0x39 | GAIN1 | [23:0] | GAIN1[23:0] | | | | | | | | | 0x5XXXX0 | R/W |
| 0x3A | GAIN2 | [23:0] | GAIN2[23:0] | | | | | | | | | 0x5XXXX0 | R/W |
| 0x3B | GAIN3 | [23:0] | GAIN3[23:0] | | | | | | | | | 0x5XXXX0 | R/W |
| 0x3C | GAIN4 | [23:0] | GAIN4[23:0] | | | | | | | | | 0x5XXXX0 | R/W |
| 0x3D | GAIN5 | [23:0] | GAIN5[23:0] | | | | | | | | | 0x5XXXX0 | R/W |
| 0x3E | GAIN6 | [23:0] | GAIN6[23:0] | | | | | | | | | 0x5XXXX0 | R/W |
| 0x3F | GAIN7 | [23:0] | GAIN7[23:0] | | | | | | | | | 0x5XXXX0 | R/W |

REGISTER DETAILS

COMMUNICATIONS REGISTER

Address: 0x00, Reset: 0x00, Name: COMMS

All access to the on-chip registers must start with a write to the communications register. This write determines which register is accessed next and whether that operation is a write or a read.

Table 20. Bit Descriptions for COMMS

| Bits | Bit Name | Settings | Description | Reset | Access |
|-------|-------------------|--|---|-------|--------|
| 7 | \overline{WEN} | | This bit must be low to begin communications with the ADC. | 0x0 | W |
| 6 | R/ \overline{W} | 0 1 | This bit determines if the command is a read or write operation. Write command. Read command. | 0x0 | W |
| [5:0] | RA | 000000 000001 000010 000011 000100 000110 000111 010000 010001 010010 010011 010100 010101 010110 010111 011000 011001 011010 011011 011100 011101 011110 011111 100000 100001 100010 100011 100100 100101 100110 100111 101000 101001 101010 101011 101100 101101 101110 101111 | The register address bits determine the register to be read from or written to as part of the current communication. Status register. ADC mode register. Interface mode register. Register checksum register. Data register. GPIO configuration register. ID register. Channel Register 0. Channel Register 1. Channel Register 2. Channel Register 3. Channel Register 4. Channel Register 5. Channel Register 6. Channel Register 7. Channel Register 8. Channel Register 9. Channel Register 10. Channel Register 11. Channel Register 12. Channel Register 13. Channel Register 14. Channel Register 15. Setup Configuration Register 0. Setup Configuration Register 1. Setup Configuration Register 2. Setup Configuration Register 3. Setup Configuration Register 4. Setup Configuration Register 5. Setup Configuration Register 6. Setup Configuration Register 7. Filter Configuration Register 0. Filter Configuration Register 1. Filter Configuration Register 2. Filter Configuration Register 3. Filter Configuration Register 4. Filter Configuration Register 5. Filter Configuration Register 6. Filter Configuration Register 7. | 0x00 | W |

| Bits | Bit Name | Settings | Description | Reset | Access |
|------|----------|----------|--------------------|-------|--------|
| | | 110000 | Offset Register 0. | | |
| | | 110001 | Offset Register 1. | | |
| | | 110010 | Offset Register 2. | | |
| | | 110011 | Offset Register 3. | | |
| | | 110100 | Offset Register 4. | | |
| | | 110101 | Offset Register 5. | | |
| | | 110110 | Offset Register 6. | | |
| | | 110111 | Offset Register 7. | | |
| | | 111000 | Gain Register 0. | | |
| | | 111001 | Gain Register 1. | | |
| | | 111010 | Gain Register 2. | | |
| | | 111011 | Gain Register 3. | | |
| | | 111100 | Gain Register 4. | | |
| | | 111101 | Gain Register 5. | | |
| | | 111110 | Gain Register 6. | | |
| | | 111111 | Gain Register 7. | | |

STATUS REGISTER

Address: 0x00, Reset: 0x80, Name: Status

The status register is an 8-bit register that contains ADC and serial interface status information. The register can optionally be appended to the data register by setting the DATA_STAT bit in the interface mode register.

Table 21. Bit Descriptions for STATUS

| Bits | Bit Name | Settings | Description | Reset | Access |
|------|-----------|----------|---|-------|--------|
| 7 | RDY | | The status of RDY is output to the DOUT/RDY pin when CS is low and a register is not being read. This bit goes low when the ADC writes a new result to the data register. In ADC calibration modes, this bit goes low when the ADC writes the calibration result. RDY is brought high automatically by a read of the data register. | 0x1 | R |
| | | 0 | New data result available. | | |
| | | 1 | Awaiting new data result. | | |
| 6 | ADC_ERROR | | By default, this bit indicates if an ADC overrange or underrange occurred. The ADC result is clamped to 0xFFFFF for overrange errors and 0x000000 for underrange errors. This bit is updated when the ADC result is written and is cleared at the next update after removing the overrange or underrange condition. | 0x0 | R |
| | | 0 | No error. | | |
| | | 1 | Error. | | |
| 5 | CRC_ERROR | | This bit indicates if a CRC error occurred during a register write. For register reads, the host microcontroller determines if a CRC error occurred. This bit is cleared by a read of this register. | 0x0 | R |
| | | 0 | No error. | | |
| | | 1 | CRC error. | | |
| 4 | REG_ERROR | | This bit indicates if the content of one of the internal registers changes from the value calculated when the register integrity check is activated. The check is activated by setting the REG_CHECK bit in the interface mode register. This bit is cleared by clearing the REG_CHECK bit. | 0x0 | R |
| | | 0 | No error. | | |
| | | 1 | Error. | | |

| Bits | Bit Name | Settings | Description | Reset | Access |
|-------|----------|----------|---|-------|--------|
| [3:0] | Channel | | These bits indicate which channel was active for the ADC conversion whose result is currently in the data register. This channel may be different from the channel currently being converted. The mapping is a direct map from the channel register. Therefore, Channel 0 results in 0x0 and Channel 15 results in 0xF. | 0x0 | R |
| | | 0000 | Channel 0. | | |
| | | 0001 | Channel 1. | | |
| | | 0010 | Channel 2. | | |
| | | 0011 | Channel 3. | | |
| | | 0100 | Channel 4. | | |
| | | 0101 | Channel 5. | | |
| | | 0110 | Channel 6. | | |
| | | 0111 | Channel 7. | | |
| | | 1000 | Channel 8. | | |
| | | 1001 | Channel 9. | | |
| | | 1010 | Channel 10. | | |
| | | 1011 | Channel 11. | | |
| | | 1100 | Channel 12. | | |
| | | 1101 | Channel 13. | | |
| | | 1110 | Channel 14. | | |
| | | 1111 | Channel 15. | | |

ADC MODE REGISTER

Address: 0x01, Reset: 0x2000, Name: ADCMODE

The ADC mode register controls the operating mode of the ADC and the master clock selection. A write to the ADC mode register resets the filter and the RDY bits and starts a new conversion or calibration.

Table 22. Bit Descriptions for ADCMODE

| Bits | Bit Name | Settings | Description | Reset | Access |
|---------|----------|----------|--|-------|--------|
| 15 | REF_EN | | Enables internal reference and outputs a buffered 2.5 V to the REFOUT pin. | 0x0 | R/W |
| | | 0 | Disabled. | | |
| | | 1 | Enabled. | | |
| 14 | Reserved | | This bit is reserved. Set this bit to 0. | 0x0 | R/W |
| 13 | SING_CYC | | This bit can be used when only a single channel is active to set the ADC to only output at the settled filter data rate. | 0x1 | R/W |
| | | 0 | Disabled. | | |
| | | 1 | Enabled. | | |
| [12:11] | Reserved | | These bits are reserved. Set these bits to 0. | 0x0 | R |
| [10:8] | Delay | | These bits allow a programmable delay to be added after a channel switch to allow the settling of external circuitry before the ADC starts processing its input. | 0x0 | R/W |
| | | 000 | 0 μ s. | | |
| | | 001 | 8 μ s. | | |
| | | 010 | 32 μ s. | | |
| | | 011 | 80 μ s. | | |
| | | 100 | 200 μ s. | | |
| | | 101 | 400 μ s. | | |
| | | 110 | 1 ms. | | |
| | | 111 | 2 ms. | | |
| 7 | Reserved | | This bit is reserved. Set this bit to 0. | 0x0 | R |

| Bits | Bit Name | Settings | Description | Reset | Access |
|-------|----------|--|---|-------|--------|
| [6:4] | Mode | 000 Continuous conversion mode. 001 Single conversion mode. 010 Standby mode. 011 Power-down mode. 100 Internal offset calibration. 101 Internal gain calibration 110 System offset calibration. 111 System gain calibration. | These bits control the operating mode of the ADC. See the Operating Modes section for more information. | 0x0 | R/W |
| [3:2] | CLOCKSEL | 00 Internal oscillator. 01 Internal oscillator output on the XTAL2/CLKIO pin. 10 External clock input on the XTAL2/CLKIO pin. 11 External crystal on the XTAL1 pin and the XTAL2/CLKIO pin. | These bits select the ADC clock source. Selecting the internal oscillator also enables the internal oscillator. | 0x0 | R/W |
| [1:0] | Reserved | | These bits are reserved. Set these bits to 0. | 0x0 | R |

INTERFACE MODE REGISTER

Address: 0x02, Reset: 0x0000, Name: IFMODE

The interface mode register configures various serial interface options.

Table 23. Bit Descriptions for IFMODE

| Bits | Bit Name | Settings | Description | Reset | Access |
|---------|------------|-------------------------------------|--|-------|--------|
| [15:13] | Reserved | | These bits are reserved. Set these bits to 0. | 0x0 | R |
| 12 | ALT_SYNC | 0 Disabled. 1 Enabled. | This bit enables a different behavior of the SYNC pin to allow the use of SYNC as a control for conversions when cycling channels. | 0x0 | R/W |
| 11 | IOSTRENGTH | 0 Disabled (default). 1 Enabled. | This bit controls the drive strength of the DOUT/RDY pin. Set this bit when reading from the serial interface at high speed with a low IOVDD supply and moderate capacitance. | 0x0 | R/W |
| [10:9] | Reserved | | These bits are reserved. Set these bits to 0. | 0x0 | R |
| 8 | DOUT_RESET | 0 Disabled. 1 Enabled. | See the DOUT_RESET section. | 0x0 | R/W |
| 7 | CONTREAD | 0 Disabled. 1 Enabled. | This bit enables the continuous read mode of the ADC data register. The ADC must be configured in continuous conversion mode to use continuous read mode. For more details, see the Operating Modes section. | 0x0 | R/W |
| 6 | DATA_STAT | 0 Disabled. 1 Enabled. | This bit enables the status register to be appended to the data register when read so that channel and status information are transmitted with the data. Appending the status register is the only way to be sure that the channel bits read from the status register correspond to the data in the data register. | 0x0 | R/W |

| Bits | Bit Name | Settings | Description | Reset | Access |
|-------|-----------|----------------|--|-------|--------|
| 5 | REG_CHECK | 0 1 | This bit enables a register integrity checker that can be used to monitor any change in the value of the user registers. To use this feature, configure all other registers as desired with this bit cleared. Then, write to this register to set the REG_CHECK bit to 1. If the contents of any of the registers change, the REG_ERROR bit is set in the status register. To clear the error, set the REG_CHECK bit to 0. Neither the interface mode register nor the ADC data or status register is included in the registers that are checked. If a register must have a new value written, this bit must first be cleared. Otherwise, an error is flagged when the new register contents are written. 0 Disabled. 1 Enabled. | 0x0 | R/W |
| 4 | Reserved | | This bit is reserved. Set this bit to 0. | 0x0 | R |
| [3:2] | CRC_EN | 00 01 10 | These bits enable CRC protection of register reads/writes. CRC increases the number of bytes in a serial interface transfer by one. 00 Disabled. 01 XOR checksum enabled for register read transactions. Register writes still use CRC with these bits set. 10 CRC checksum enabled for read and write transactions. | 0x00 | R/W |
| 1 | Reserved | | This bit is reserved. Set this bit to 0. | 0x0 | R |
| 0 | WL16 | 0 1 | This bit changes the ADC data register to 16 bits. The ADC is not reset by a write to the interface mode register. Therefore, the ADC result is not rounded to the correct word length immediately after writing to these bits. The first new ADC result is correct. 0 24-bit data. 1 16-bit data. | 0x0 | R/W |

REGISTER CHECK

Address: 0x03, Reset: 0x000000, Name: REGCHECK

The register check register is a 24-bit checksum calculated by exclusively OR'ing the contents of the user registers. The REG_CHECK bit in the interface mode register must be set for this checksum to operate. Otherwise, the register reads 0.

Table 24. Bit Descriptions for REGCHECK

| Bits | Bit Name | Settings | Description | Reset | Access |
|--------|----------------|----------|--|----------|--------|
| [23:0] | REGISTER_CHECK | | This register contains the 24-bit checksum of user registers when the REG_CHECK bit is set in the interface mode register. | 0x000000 | R |

DATA REGISTER

Address: 0x04, Reset: 0x000000, Name: Data

The data register contains the ADC conversion result. The encoding is offset binary, or it can be changed to unipolar by the BI_UNIPOLARx bits in the setup configuration registers. Reading the data register brings the \overline{RDY} bit and the \overline{RDY} output high if it is low. The ADC result can be read multiple times. However, because the \overline{RDY} output is brought high, it is not possible to determine if another ADC result is imminent. After the command to read the ADC register is received, the ADC does not write a new result into the data register.

Table 25. Bit Descriptions for Data

| Bits | Bit Name | Settings | Description | Reset | Access |
|--------|----------|----------|--|----------|--------|
| [15:0] | Data | | This register contains the ADC conversion result. If DATA_STAT is set in the interface mode register, the status register is appended to this register when read, making this a 32-bit register. | 0x000000 | R |

GPIO CONFIGURATION REGISTER

Address: 0x06, Reset: 0x0800, Name: GPIOCON

The GPIO configuration register controls the general-purpose I/O pins of the ADC.

Table 26. Bit Descriptions for GPIOCON

| Bits | Bit Name | Settings | Description | Reset | Access |
|---------|----------|----------------------|---|-------|--------|
| [15:14] | Reserved | | Reserved. | 0x0 | R |
| 13 | OP_EN2_3 | 0 1 | GPO2/GPO3 output enable. This bit enables the GPO2 and GPO3 pins. The outputs are referenced between AVDD and AVSS. 0 Disabled. 1 Enabled. | 0x0 | R/W |
| 12 | MUX_IO | | This bit allows the ADC to control an external multiplexer, using GPIO0, GPIO1, GPO2, and GPO3 in sync with the internal channel sequencing. The analog input pins used for a channel can still be selected on a per channel basis. Therefore, it is possible to have a 16-channel multiplexer in front of each analog input pair (VIN0/VIN1 to VIN14/VIN15), giving a total of 128 differential channels. However, only 16 channels at a time can be automatically sequenced. Following the sequence of 16 channels, the user changes the analog input to the next pair of input channels, and it sequences through the next 16 channels. There is a delay function that allows extra time for the analog input to settle, in conjunction with any switching of an external multiplexer (see the delay bits in the ADC mode register). | 0x0 | R |
| 11 | SYNC_EN | 0 1 | SYNC input enable. This bit enables the $\overline{\text{SYNC}}$ pin as a sync input. When set low, the $\overline{\text{SYNC}}$ pin holds the ADC and filter in reset until $\overline{\text{SYNC}}$ goes high. An alternative operation of the $\overline{\text{SYNC}}$ pin is available when the ALT_SYNC bit in the interface mode register is set. This mode works only when multiple channels are enabled. In such cases, a low on the $\overline{\text{SYNC}}$ pin does not immediately reset the filter/modulator. Instead, if the $\overline{\text{SYNC}}$ pin is low when the channel is due to be switched, the modulator and filter are prevented from starting a new conversion. Bringing $\overline{\text{SYNC}}$ high begins the next conversion. This alternative sync mode allows $\overline{\text{SYNC}}$ to be used while cycling through channels. | 0x1 | R/W |
| [10:9] | ERR_EN | 00 01 10 11 | $\overline{\text{ERROR}}$ pin mode. These bits enable the $\overline{\text{ERROR}}$ pin as an error input/output. 00 Disabled. 01 Enable error input (active low). $\overline{\text{ERROR}}$ is an error input. The inverted readback state is OR'ed with other error sources and is available in the ADC_ERROR bit in the status register. The $\overline{\text{ERROR}}$ pin state can also be read from the ERR_DAT bit in this register. 10 Enable open-drain error output (active low). $\overline{\text{ERROR}}$ is an open-drain error output. The status register error bits are OR'ed, inverted, and mapped to the $\overline{\text{ERROR}}$ pin. $\overline{\text{ERROR}}$ pins of multiple devices can be wired together to a common pull-up resistor so that an error on any device can be observed. 11 General-purpose output (active low). $\overline{\text{ERROR}}$ is a general-purpose output. The status of the pin is controlled by the ERR_DAT bit in this register. This output is referenced between IOVDD and DGND, as opposed to the AVDD and AVSS levels used by the GPIOx and GPOx pins. The output has an active pull-up resistor in this case. | 0x0 | R/W |
| 8 | ERR_DAT | 0 1 | $\overline{\text{ERROR}}$ pin data. This bit determines the logic level at the $\overline{\text{ERROR}}$ pin if the pin is enabled as a general-purpose output. This bit reflects the readback status of the pin if the pin is enabled as an input. 0 Logic 0. 1 Logic 1. | 0x0 | R/W |
| 7 | GP_DATA3 | 0 1 | GPIO1 data. This bit is the write data for GPIO1. 0 GPIO1 = 0. 1 GPIO1 = 1. | 0x0 | R/W |
| 6 | GP_DATA2 | 0 1 | GPIO0 data. This bit is the write data for GPIO0. 0 GPIO0 = 0. 1 GPIO0 = 1. | 0x0 | R/W |

| Bits | Bit Name | Settings | Description | Reset | Access |
|------|----------|----------|--|-------|--------|
| 5 | IP_EN1 | 0 1 | This bit runs GPIO1 into an input. Input is equal to AVDD and AVSS. Disabled. Enabled. | 0x0 | R/W |
| 4 | IP_EN0 | 0 1 | This bit runs GPIO0 into an input. Input is equal to AVDD and AVSS. Disabled. Enabled. | 0x0 | R/W |
| 3 | OP_EN1 | 0 1 | This bit runs GPIO1 into an output. Outputs are referenced between AVDD and AVSS. Disabled. Enabled. | 0x0 | R/W |
| 2 | OP_EN0 | 0 1 | This bit runs GPIO0 into an output. Outputs are referenced between AVDD and AVSS. Disabled. Enabled. | 0x0 | R/W |
| 1 | GP_DATA1 | | This bit is the readback or write data for GPIO1. | 0x0 | R/W |
| 0 | GP_DATA0 | | This bit is the readback or write data for GPIO0. | 0x0 | R/W |

ID REGISTER

Address: 0x07, Reset: 0x38DX, Name: ID

The ID register returns a 16-bit ID. For the AD4115, this value is 0x38DX, where x is don't care.

Table 27. Bit Descriptions for ID

| Bits | Bit Name | Settings | Description | Reset | Access |
|--------|----------|----------|---|--------|--------|
| [15:0] | ID | | Product ID. The ID register returns a 16-bit ID code that is specific to the ADC. | 0x38DX | R |

CHANNEL REGISTER 0 TO CHANNEL REGISTER 15

Address: 0x10 to 0x1F, Reset: 0x8001, Name: CH0 to CH15

The channel registers are 16-bit registers that select the currently active channels, the selected inputs for each channel, and the setup to be used to configure the ADC for that channel. The layout for CH0 to CH15 is identical.

Table 28. Bit Descriptions for CH0 to CH15

| Bits | Bit Name | Settings | Description | Reset | Access |
|---------|------------|--|--|-------|--------|
| 15 | CH_ENx | 0 1 | This bit enables Channel x. If more than one channel is enabled, the ADC automatically sequences between them. Disabled. Enabled. | 0x1 | R/W |
| [14:12] | SETUP_SELx | 000 001 010 011 100 101 110 111 | These bits identify which of the eight setups is used to configure the ADC for this channel. A setup comprises a set of four registers: a setup configuration register, a filter configuration register, an offset register, and a gain register. All channels can use the same setup, in which case the same 3-bit value must be written to these bits on all active channels, or up to eight channels can be configured differently. Setup 0. Setup 1. Setup 2. Setup 3. Setup 4. Setup 5. Setup 6. Setup 7. | 0x0 | R/W |
| [11:10] | Reserved | | Reserved. | 0x0 | R |
| [9:0] | INPUTx | 000000001 0000010000 | These bits select which input pair is connected to the input of the ADC for this channel. VIN0, VIN1. VIN0, VINCOM. | 0x1 | R/W |

| Bits | Bit Name | Settings | Description | Reset | Access |
|------|----------|------------|---------------------|-------|--------|
| | | 0000100000 | VIN1, VIN0. | | |
| | | 0000110000 | VIN1, VINCOM. | | |
| | | 0001000011 | VIN2, VIN3. | | |
| | | 0001010000 | VIN2, VINCOM. | | |
| | | 0001100010 | VIN3, VIN2. | | |
| | | 0001110000 | VIN3, VINCOM. | | |
| | | 0010000101 | VIN4, VIN5. | | |
| | | 0010010000 | VIN4, VINCOM. | | |
| | | 0010100100 | VIN5, VIN4. | | |
| | | 0010110000 | VIN5, VINCOM. | | |
| | | 0011000111 | VIN6, VIN7. | | |
| | | 0011010000 | VIN6, VINCOM. | | |
| | | 0011100110 | VIN7, VIN6. | | |
| | | 0011110000 | VIN7, VINCOM. | | |
| | | 0100001001 | VIN8, VIN9. | | |
| | | 0100010000 | VIN8, VINCOM. | | |
| | | 0100101000 | VIN9, VIN8. | | |
| | | 0100110000 | VIN9, VINCOM. | | |
| | | 0101001011 | VIN10, VIN11. | | |
| | | 0101010000 | VIN10, VINCOM. | | |
| | | 0101101010 | VIN11, VIN10. | | |
| | | 0101110000 | VIN11, VINCOM. | | |
| | | 0110001101 | VIN12, VIN13. | | |
| | | 0110010000 | VIN12, VINCOM. | | |
| | | 0110101100 | VIN13, VIN12. | | |
| | | 0110110000 | VIN13, VINCOM. | | |
| | | 0111001111 | VIN14, VIN15. | | |
| | | 0111010000 | VIN14, VINCOM. | | |
| | | 0111101110 | VIN15, VIN14. | | |
| | | 0111110000 | VIN15, VINCOM. | | |
| | | 1000110010 | Temperature sensor. | | |
| | | 1010110110 | Reference. | | |

SETUP CONFIGURATION REGISTER 0 TO SETUP CONFIGURATION REGISTER 7

Address: 0x20 to 0x27, Reset: 0x1000 Name: SETUPCON0 to SETUPCON7

The setup configuration registers are 16-bit registers that configure the reference selection, input buffers, and output coding of the ADC. The layout for SETUPCON0 to SETUPCON7 is identical.

Table 29. Bit Descriptions for SETUPCON0 to SETUPCON7

| Bits | Bit Name | Settings | Description | Reset | Access |
|---------|--------------|----------|--|-------|--------|
| [15:13] | Reserved | | These bits are reserved. Set these bits to 0. | 0x0 | R |
| 12 | BI_UNIPOLARx | 0 1 | Bipolar/unipolar. This bit sets the output coding of the ADC for Setup x. Unipolar coded output. Bipolar coded output. | 0x1 | R/W |
| 11 | REFBUFx+ | 0 1 | REF+ buffer. This bit enables or disables the REF+ input buffer. Disabled. Enabled. | 0x0 | R/W |
| 10 | REFBUFx- | 0 1 | REF- buffer. This bit enables or disables the REF- input buffer. Disabled. Enabled. | 0x0 | R/W |

| Bits | Bit Name | Settings | Description | Reset | Access |
|-------|----------|----------------------|---|-------|--------|
| [9:8] | INBUFx | 00 01 10 11 | Input buffer. This bit enables or disables input buffers. Disabled. Reserved. Reserved. Enabled. | 0x0 | R/W |
| [7:6] | Reserved | | These bits are reserved. Set these bits to 0. | 0x0 | R |
| [5:4] | REF_SELx | 00 10 11 | These bits allow the user to select the reference source for ADC conversion on Setup 0. External reference, REF±. Internal 2.5 V reference, must be enabled via ADCMODE (see Table 22). AVDD – AVSS. | 0x0 | R/W |
| [3:0] | Reserved | | These bits are reserved. Set these bits to 0. | 0x0 | R |

FILTER CONFIGURATION REGISTER 0 TO FILTER CONFIGURATION REGISTER 7

Address: 0x28 to 0x2F, Reset: 0x0500, Name: FILTCON0 to FILTCON7

The filter configuration registers are 16-bit registers that configure the ADC data rate and filter options. Writing to any of these registers resets any active ADC conversion and restarts converting at the first channel in the sequence. The layout for FILTCON0 to FILTCON7 is identical.

Table 30. Bit Descriptions for FILTCON0 to FILTCON7

| Bits | Bit Name | Settings | Description | Reset | Access |
|---------|------------|--|--|-------|--------|
| 15 | SINC3_MAPx | | If this bit is set, the mapping of the filter register changes to directly program the decimation rate of the sinc3 filter for Setup x. All other options are eliminated. This bit allows fine tuning of the output data rate and filter notch for rejection of specific frequencies. The data rate when on a single channel equals $f_{MOD}/(32 \times FILTCON0[14:0])$. | 0x0 | R/W |
| [14:12] | Reserved | | These bits are reserved. Set these bits to 0. | 0x0 | R |
| 11 | ENHFILTEx | 0 1 | This bit enables various postfilters for enhanced 50 Hz/60 Hz rejection for Setup x. The ORDERx bits must be set to 00 to select the sinc5 + sinc1 filter for this function to work. Disabled. Enabled. | 0x0 | R/W |
| [10:8] | ENHFILTEx | 010 011 101 110 | These bits select between various postfilters for enhanced 50 Hz/60 Hz rejection for Setup x. 27 SPS, 47 dB rejection, 36.7 ms settling. 25 SPS, 62 dB rejection, 40 ms settling. 20 SPS, 86 dB rejection, 50 ms settling. 16.67 SPS, 92 dB rejection, 60 ms settling. | 0x5 | R/W |
| 7 | Reserved | | This bit is reserved. Set this bit to 0. | 0x0 | R |
| [6:5] | ORDERx | 00 11 | These bits control the order of the digital filter that processes the modulator data for Setup x. Sinc5 + sinc1 (default). Sinc3. | 0x0 | R/W |
| [4:0] | ODRx | 00000 00001 00010 00011 00100 00101 00110 00111 | These bits control the output data rate of the ADC and, therefore, the settling time and noise for Setup x. Rates shown are for a single-channel enabled sinc5 + sinc 1 filter. See Table 16 for multiple channels enabled. 125,000 SPS. 125,000 SPS. 62,500 SPS. 62,500 SPS. 31,250 SPS. 25,000 SPS. 15,625 SPS. 10390 (10416.7 SPS for sinc3). | 0x0 | R/W |

| Bits | Bit Name | Settings | Description | Reset | Access |
|------|----------|----------|-------------------------------|-------|--------|
| | | 01000 | 4994 (5000 SPS for sinc3). | | |
| | | 01001 | 2498 (2500 SPS for sinc3). | | |
| | | 01010 | 1000.00 SPS. | | |
| | | 01011 | 500.00 SPS. | | |
| | | 01100 | 395.5 (400.6 SPS for sinc3). | | |
| | | 01101 | 200.00 SPS. | | |
| | | 01110 | 100.00 SPS. | | |
| | | 01111 | 59.87 SPS. | | |
| | | 10000 | 49.92 SPS (50 SPS for sinc3). | | |
| | | 10001 | 20 SPS. | | |
| | | 10010 | 16.67 SPS. | | |
| | | 10011 | 10 SPS. | | |
| | | 10100 | 5 SPS. | | |
| | | 10101 | 2.5 SPS. | | |
| | | 10110 | 2.5 SPS. | | |

OFFSET REGISTER 0 TO OFFSET REGISTER 7

Address: 0x30 to 0x37, Reset: 0x800000, Name: OFFSET0 to OFFSET7

The offset (zero-scale) registers are 16-bit registers that can be used to compensate for any offset error in the ADC or in the system. The layout for OFFSET0 to OFFSET7 is identical.

Table 31. Bit Descriptions for OFFSET0 to OFFSET7

| Bits | Bit Name | Settings | Description | Reset | Access |
|--------|----------|----------|---|----------|--------|
| [23:0] | OFFSETx | | Offset calibration coefficient for Setup x. | 0x800000 | R/W |

GAIN REGISTER 0 TO GAIN REGISTER 7

Address: 0x38 to 0x3F, Reset: 0x5XXXX0, Name: GAIN0 to GAIN7

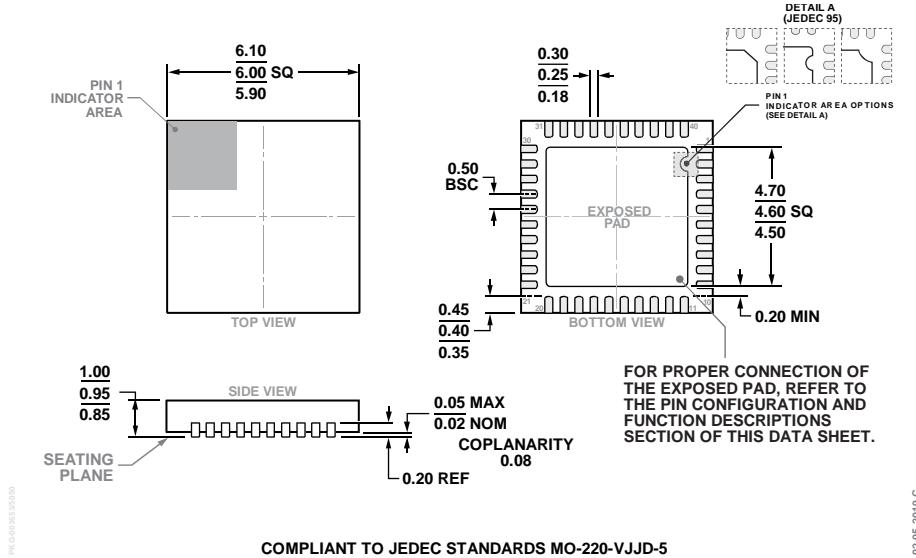
The full-scale gain registers are 16-bit registers that can be used to compensate for any gain error in the ADC or in the system. The layout for GAIN0 to GAIN7 is identical.

Table 32. Bit Descriptions for GAIN0 to GAIN7

| Bits | Bit Name | Settings | Description | Reset ¹ | Access |
|--------|----------|----------|---|--------------------|--------|
| [23:0] | GAINx | | Gain calibration coefficient for Setup x. | 0x5XXXX0 | R/W |

¹ X means don't care.

OUTLINE DIMENSIONS



COMPLIANT TO JEDEC STANDARDS MO-220-VJJD-5

Figure 45. 40-Lead Lead Frame Chip Scale Package [LFCSP]
 6 mm × 6 mm Body and 0.95 mm Package Height
 (CP-40-15)
 Dimensions shown in millimeters

ORDERING GUIDE

| Model ¹ | Temperature Range | Package Description | Package Option |
|--------------------|-------------------|---|----------------|
| AD4115BCPZ | -40°C to +105°C | 40-Lead Lead Frame Chip Scale Package [LFCSP] | CP-40-15 |
| AD4115BCPZ-RL7 | -40°C to +105°C | 40-Lead Lead Frame Chip Scale Package [LFCSP] | CP-40-15 |
| EVAL-AD4115SDZ | | Evaluation Board | |
| EVAL-SDP-CB1Z | | Evaluation Controller Board | |

¹ Z = RoHS Compliant Part.

Looking for pricing, stock, or lifecycle information?

Click below to explore more details on WIN SOURCE:

 [View AD4115BCPZ-RL7 on WIN SOURCE](#)

 [Analog Devices Inc. Information](#)

Optimize Your Supply Chain with WIN SOURCE Solutions

-  Global Sourcing Solution
-  Obsolete Management
-  Cost Control Management
-  Shortage Management
-  Alternative Solution
-  Excess Inventory Management