



**THE DATASHEET OF
LFSCM3GA80EP1-5FC1704C**





LatticeSC/M Family Data Sheet

DS1004 Version 02.4, December 2011

Features

■ High Performance FPGA Fabric

- 15K to 115K four input Look-up Tables (LUT4s)
- 139 to 942 I/Os
- 700MHz global clock; 1GHz edge clocks

■ 4 to 32 High Speed SERDES and flexiPCS™ (per Device)

- Performance ranging from 600Mbps to 3.8Gbps
- Excellent Rx jitter tolerance (0.8UI at 3.125Gbps)
- Low Tx jitter (0.25UI typical at 3.125Gbps)
- Built-in Pre-emphasis and equalization
- Low power (typically 105mW per channel)
- Embedded Physical Coding Sublayer (PCS) provides pre-engineered implementation for the following standards:
 - GbE, XAUI, PCI Express, SONET, Serial RapidIO, 1G Fibre Channel, 2G Fibre Channel

■ 2Gbps High Performance PURESPEED™ I/O

- Supports the following performance bandwidths
 - Differential I/O up to 2Gbps DDR (1GHz Clock)
 - Single-ended memory interfaces up to 800Mbps
- 144 Tap programmable Input Delay (INDEL) block on every I/O dynamically aligns data to clock for robust performance
 - Dynamic bit Adaptive Input Logic (AIL) monitoring and control circuitry per pin that automatically ensures proper set-up and hold
 - Dynamic bus: uses control bus from DLL
 - Static per bit
- Electrical standards supported:
 - LVCMOS 3.3/2.5/1.8/1.5/1.2, LVTTTL
 - SSTL 3/2/18 I, II; HSTL 18/15 I, II
 - PCI, PCI-X
 - LVDS, Mini-LVDS, Bus-LVDS, MLVDS, LVPECL, RSDS
- Programmable On Die Termination (ODT)
 - Includes Thevenin Equivalent and low power V_{TT} termination options

■ Memory Intensive FPGA

- sysMEM™ embedded Block RAM

- 1 to 7.8 Mbits memory
- True Dual Port/Pseudo Dual Port/Single Port
- Dedicated FIFO logic for all block RAM
- 500MHz performance
- Additional 240K to 1.8Mbits distributed RAM

■ sysCLOCK™ Network

- Eight analog PLLs per device
 - Frequency range from 15MHz to 1GHz
 - Spread spectrum support
- 12 DLLs per device with direct control of I/O delay
 - Frequency range from 100MHz to 700MHz
- Extensive clocking network
 - 700MHz primary and 325 MHz secondary clocks
 - 1GHz I/O-connected edge clocks
- Precision Clock Divider
 - Phase matched x2 and x4 division of incoming clocks
- Dynamic Clock Select (DCS)
 - Glitch free clock MUX

■ Masked Array for Cost Optimization (MACO™) Blocks

- On-chip structured ASIC Blocks provide pre-engineered IP for low power, low cost system level integration

■ High Performance System Bus

- Ties FPGA elements together with a standard bus framework
 - Connects to peripheral user interfaces for run-time dynamic configuration

■ System Level Support

- IEEE standard 1149.1 Boundary Scan, plus ispTRACY™ internal logic analyzer
- IEEE Standard 1532 in-system configuration
- 1.2V and 1.0V operation
- Onboard oscillator for initialization and general use
- Embedded PowerPC microprocessor interface
- Low cost wire-bond and high pin count flip-chip packaging
- Low cost SPI Flash RAM configuration

Table 1-1. LatticeSC Family Selection Guide¹

| Device | SC15 | SC25 | SC40 | SC80 | SC115 |
|---|-------|--------|--------|--------|--------|
| LUT4s (K) | 15 | 25 | 40 | 80 | 115 |
| sysMEM Blocks (18Kb) | 56 | 104 | 216 | 308 | 424 |
| Embedded Memory (Mbits) | 1.03 | 1.92 | 3.98 | 5.68 | 7.8 |
| Max. Distributed Memory (Mbits) | 0.24 | 0.41 | 0.65 | 1.28 | 1.84 |
| Number of 3.8Gbps SERDES (Max.) | 8 | 16 | 16 | 32 | 32 |
| DLLs | 12 | 12 | 12 | 12 | 12 |
| Analog PLLs | 8 | 8 | 8 | 8 | 8 |
| MACO Blocks | 4 | 6 | 10 | 10 | 12 |
| Package I/O/SERDES Combinations (1mm ball pitch) | | | | | |
| 256-ball fpBGA (17 x 17mm) | 139/4 | | | | |
| 900-ball fpBGA (31 x 31mm) | 300/8 | 378/8 | | | |
| 1020-ball fcBGA (33 x 33mm) ² | | 476/16 | 562/16 | | |
| 1152-ball fcBGA (35 x 35mm) ³ | | | 604/16 | 660/16 | 660/16 |
| 1704-ball fcBGA (42.5 x 42.5mm) ³ | | | | 904/32 | 942/32 |

1. The information in this preliminary data sheet is by definition not final and subject to change. Please consult the Lattice web site and your local Lattice sales office to ensure you have the latest information regarding the specifications for these products as you make critical design decisions.
2. Organic fcBGA converted to organic fcBGA revision 2 per [PCN #02A-10](#).
3. Ceramic fcBGA converted to organic fcBGA per [PCN #01A-10](#).

The LatticeSCM devices add MACO-enabled IP functionality to the base LatticeSC devices. Table 1-2 shows the type and number of each pre-engineered IP core.

Table 1-2. LatticeSCM Family

| Device | SCM15 | SCM25 | SCM40 | SCM80 | SCM115 |
|--|-------|-------|-------|-------|--------|
| flexiMAC Blocks <ul style="list-style-type: none"> • 1GbE Mode • 10GbE Mode • PCI Express Mode | 1 | 2 | 2 | 2 | 4 |
| SPI4.2 Blocks | 1 | 2 | 2 | 2 | 2 |
| Memory Controller Blocks <ul style="list-style-type: none"> • DDR/DDR2 DRAM Mode • QDR II/II+ SRAM Mode • RLDRAM I • RLDRAM II CIO/SIO | 1 | 2 | 2 | 2 | 2 |
| Low-Speed CDR Blocks | 0 | 0 | 2 | 2 | 2 |
| PCI Express LTSSM (PHY) Blocks | 1 | 0 | 2 | 2 | 2 |

Note: See each IP core user's guide for more information about support for specific LatticeSCM devices.

Introduction

The LatticeSC family of FPGAs combines a high-performance FPGA fabric, high-speed SERDES, high-performance I/Os and large embedded RAM in a single industry leading architecture. This FPGA family is fabricated in a state of the art technology to provide one of the highest performing FPGAs in the industry.

This family of devices includes features to meet the needs of today's communication network systems. These features include SERDES with embedded advance PCS (Physical Coding sub-layer), up to 7.8 Mbits of sysMEM embedded block RAM, dedicated logic to support system level standards such as RAPIDIO, SPI4.2, SFI-4, UTOPIA, XGMII and CSIX. The devices in this family feature clock multiply, divide and phase shift PLLs, numerous

DLLs and dynamic glitch free clock MUXs which are required in today's high end system designs. High-speed, high-bandwidth I/O make this family ideal for high-throughput systems.

The ispLEVER® design tool from Lattice allows large complex designs to be efficiently implemented using the LatticeSC family of FPGA devices. Synthesis library support for LatticeSC is available for popular logic synthesis tools. The ispLEVER tool uses the synthesis tool output along with the constraints from its floor planning tools to place and route the design in the LatticeSC device. The ispLEVER tool extracts the timing from the routing and back-annotates it into the design for timing verification.

Lattice provides many pre-designed IP (Intellectual Property) ispLeverCORE™ modules for the LatticeSC family. By using these IPs as standardized blocks, designers are free to concentrate on the unique aspects of their design, increasing their productivity.

Innovative high-performance FPGA architecture, high-speed SERDES with PCS support, sysMEM embedded memory and high performance I/O are combined in the LatticeSC to provide excellent performance for today's leading edge systems designs. Table 1-3 details the performance of several common functions implemented within the LatticeSC.

Table1-3. Speed Performance for Typical Functions¹

| Functions | Performance (MHz) ² |
|---|--------------------------------|
| 32-bit Address Decoder | 539 |
| 64-bit Address Decoder | 517 |
| 32:1 Multiplexer | 779 |
| 64-bit Adder (ripple) | 353 |
| 32x8 Distributed Single Port (SP) RAM | 768 |
| 64-bit Counter (up or down counter, non-loadable) | 369 |
| True Dual-Port 1024x18 bits | 372 |
| FIFO Port A: x36 bits, B: x9 bits | 375 |

1. For additional information, see Typical Building BLock Function Performance table in this data sheet.
2. Advance information (-7 speed grade).

Architecture Overview

The LatticeSC architecture contains an array of logic blocks surrounded by Programmable I/O Cells (PIC). Interspersed between the rows of logic blocks are rows of sysMEM Embedded Block RAM (EBR). The upper left and upper right corners of the devices contain SERDES blocks and their associated PCS blocks, as shown in Figure 2-1.

Top left and top right corner of the device contain blocks of SERDES. Each block of SERDES contains four channels (quad). Each channel contains a single serializer and de-serializer, synchronization and word alignment logic. The SERDES quad connects with the Physical Coding Sub-layer (PCS) blocks that contain logic to simultaneously perform alignment, coding, de-coding and other functions. The SERDES quad block has separate supply, ground and reference voltage pins.

The PICs contain logic to facilitate the conditioning of signals to and from the I/O before they leave or enter the FPGA fabric. The block provides DDR and shift register capabilities that act as a gearbox between high speed I/O and the FPGA fabric. The blocks also contain programmable Adaptive Input Logic that adjusts the delay applied to signals as they enter the device to optimize setup and hold times and ensure robust performance.

sysMEM EBRs are large dedicated fast memory blocks. They can be configured as RAM, ROM or FIFO. These blocks have dedicated logic to simplify the implementation of FIFOs.

The PFU, PIC and EBR blocks are arranged in a two-dimensional grid with rows and columns as shown in Figure 2-1. These blocks are connected with many vertical and horizontal routing channel resources. The place and route software tool automatically allocates these routing resources.

The corners contain the sysCLOCK Analog Phase Locked Loop (PLL) and Delay Locked Loop (DLL) Blocks. The PLLs have multiply, divide and phase shifting capability; they are used to manage the phase relationship of the clocks. The LatticeSC architecture provides eight analog PLLs per device and 12 DLLs. The DLLs provide a simple delay capability and can also be used to calibrate other delays within the device.

Every device in the family has a JTAG Port with internal Logic Analyzer (ispTRACY) capability. The sysCONFIG™ port which allows for serial or parallel device configuration. The system bus simplifies the connections of the external microprocessor to the device for tasks such as SERDES and PCS configuration or interface to the general FPGA logic. The LatticeSC devices use 1.2V as their core voltage operation with 1.0V operation also possible.

Figure 2-1. Simplified Block Diagram (Top Level)

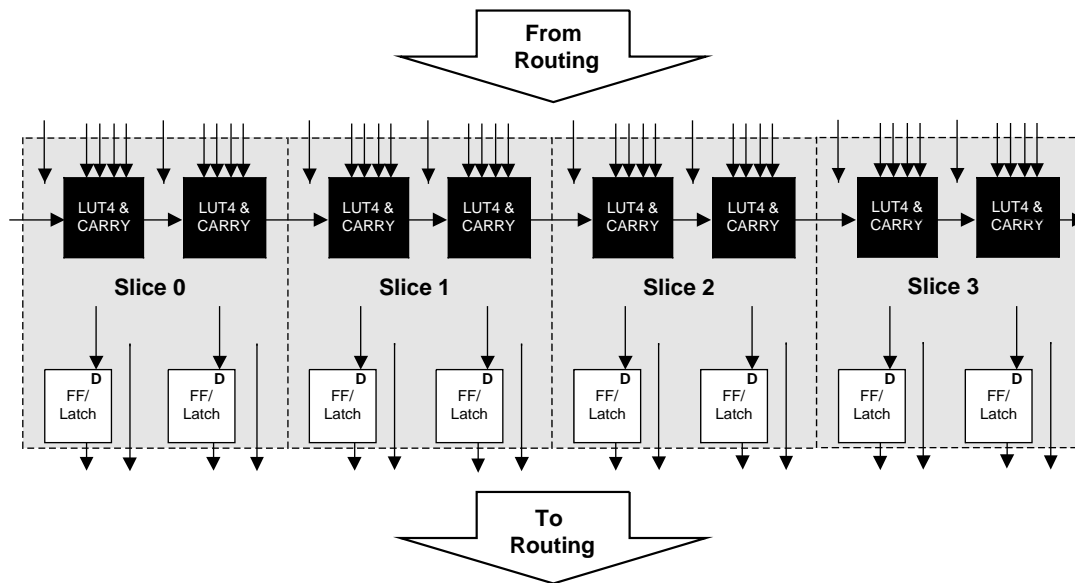


PFU Blocks

The core of the LatticeSC devices consists of PFU blocks. The PFUs can be programmed to perform Logic, Arithmetic, Distributed RAM and Distributed ROM functions.

Each PFU block consists of four interconnected slices, numbered 0-3 as shown in Figure 2-2. All the interconnections to and from PFU blocks are from routing. There are 53 inputs and 25 outputs associated with each PFU block.

Figure 2-2. PFU Diagram



Slice

Each slice contains two LUT4 lookup tables feeding two registers (programmed to be in FF or Latch mode), and some associated logic that allows the LUTs to be combined to implement 5, 6, 7 and 8 Input LUTs (LUT5, LUT6, LUT7 and LUT8). There is control logic to perform set/reset functions (programmable as synchronous/asynchronous), clock select, chip-select and wider RAM/ROM functions. Figure 2-3 shows an overview of the internal logic of the slice. The registers in the slice can be configured for positive/negative and edge/level clocks.

There are 14 input signals: 13 signals from routing and one from the carry-chain (from adjacent slice or PFU). There are seven outputs: six to routing and one to carry-chain (to adjacent PFU). Table 2-1 lists the signals associated with each slice.

Figure 2-3. Slice Diagram



Table 2-1. Slice Signal Descriptions

| Function | Type | Signal Names | Description |
|----------|------------------|----------------|--|
| Input | Data signal | A0, B0, C0, D0 | Inputs to LUT4 |
| Input | Data signal | A1, B1, C1, D1 | Inputs to LUT4 |
| Input | Multi-purpose | M0 | Multipurpose Input |
| Input | Multi-purpose | M1 | Multipurpose Input |
| Input | Control signal | CE | Clock Enable |
| Input | Control signal | LSR | Local Set/Reset |
| Input | Control signal | CLK | System Clock |
| Input | Inter-PFU signal | FCI | Fast Carry In ¹ |
| Output | Data signals | F0, F1 | LUT4 output register bypass signals |
| Output | Data signals | Q0, Q1 | Register Outputs |
| Output | Data signals | OFX0 | Output of a LUT5 MUX |
| Output | Data signals | OFX1 | Output of a LUT6, LUT7, LUT8 ² MUX depending on the slice |
| Output | Inter-PFU signal | FCO | For the right most PFU the fast carry chain output ² |

1. See Figure 2-2 for connection details.

2. Requires two PFUs.

Modes of Operation

Each Slice is capable of four modes of operation: Logic, Ripple, RAM and ROM. Table 2-2 lists the modes and the capability of the Slice blocks.

Table 2-2. Slice Modes

| | Logic | Ripple | RAM | ROM |
|-----------|--------------------|-----------------------|----------------------|----------|
| PFU Slice | LUT 4x2 or LUT 5x1 | 2-bit Arithmetic Unit | SPR 16x2 DPR 16x2 | ROM 16x2 |

Logic Mode

In this mode, the LUTs in each Slice are configured as combinatorial lookup tables. A LUT4 can have 16 possible input combinations. Any logic function with four inputs can be generated by programming this lookup table. Since there are two LUT4s per Slice, a LUT5 can be constructed within one Slice. Larger lookup tables such as LUT6, LUT7 and LUT8 can be constructed by concatenating other Slices in the PFU.

Ripple Mode

Ripple mode allows the efficient implementation of small arithmetic functions. In ripple mode, the following functions can be implemented by each Slice:

- Addition 2-bit
- Subtraction 2-bit
- Up counter 2-bit
- Down counter 2-bit
- Comparator functions of A and B inputs
 - A greater-than-or-equal-to B
 - A not-equal-to B
 - A less-than-or-equal-to B

Ripple Mode includes an optional configuration that performs arithmetic using fast carry chain methods. In this configuration (also referred to as CCU2 mode) two additional signals, Carry Generate and Carry Propagate, are generated on a per slice basis to allow fast arithmetic functions to be constructed by concatenating Slices.

RAM Mode

In this mode, distributed RAM can be constructed using each LUT block as a 16x1-bit memory. Through the combination of LUTs and Slices, a variety of different memories can be constructed.

The Lattice design tools support the creation of a variety of different size memories. Where appropriate, the software will construct these using distributed memory primitives that represent the capabilities of the Slice. Table 2-3 shows the number of Slices required to implement different distributed RAM primitives. Dual port memories involve the pairing of two Slices, one Slice functions as the read-write port. The other companion Slice supports the read-only port. For more information on RAM mode, please see details of additional technical documentation at the end of this data sheet.

Table 2-3. Number of Slices Required For Implementing Distributed RAM

| | SPR16x2 | DPR16x2 |
|------------------|---------|---------|
| Number of Slices | 1 | 2 |

Note: SPR = Single Port RAM, DPR = Dual Port RAM

ROM Mode

The ROM mode uses the same principal as the RAM modes, but without the Write port. Pre-loading is accomplished through the programming interface during configuration.

PFU Modes of Operation

Slices can be combined within a PFU to form larger functions. Table 2-4 tabulates these modes and documents the functionality possible at the PFU level.

Table 2-4. PFU Modes of Operation

| Logic | Ripple | RAM | ROM |
|----------------------------|-------------------|------------------------------|--------------|
| LUT 4x8 or MUX 2x1 x 8 | 2-bit Add x 4 | SPR 16x2 x 4 DPR 16x2 x 2 | ROM 16x1 x 8 |
| LUT 5x4 or MUX 4x1 x 4 | 2-bit Sub x 4 | SPR 16x4 x 2 DPR 16x4 x 1 | ROM 16x2 x 4 |
| LUT 6x2 or MUX 8x1 x 2 | 2-bit Counter x 4 | SPR 16x8 x 1 | ROM 16x4 x 2 |
| LUT 7x1 or MUX 16x1 x 1 | 2-bit Comp x 4 | | ROM 16x8 x 1 |

Routing

There are many resources provided in the LatticeSC devices to route signals individually or as busses with related control signals. The routing resources consist of switching circuitry, buffers and metal interconnect (routing) segments.

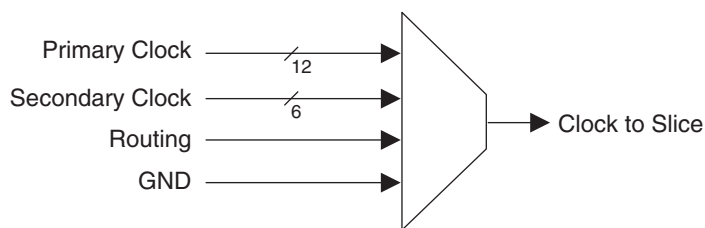
The inter-PFU connections are made with x1 (spans two PFU), x2 (spans three PFU) and x6 (spans seven PFU) resources. The x1 and x2 connections provide fast and efficient connections in horizontal, vertical and diagonal directions. All connections are buffered to ensure high-speed operation even with long high-fanout connections.

The ispLEVER design tool takes the output of the synthesis tool and places and routes the design. Generally, the place and route tool is completely automatic, although an interactive routing editor is available to optimize the design.

sysCLOCK Network

The LatticeSC devices have three distinct clock networks for use in distributing high-performance clocks within the device: primary clocks, secondary clocks and edge clocks. In addition to these dedicated clock networks, users are free to route clocks within the device using the general purpose routing. Figure 2-4 shows the clock resources available to each slice.

Figure 2-4. Slice Clock Selection



Note: GND is available to switch off the network.

Primary Clock Sources

LatticeSC devices have a wide variety of primary clock sources available. Primary clocks sources consists of the following:

- Primary clock input pins
- Edge clock input pins
- Two outputs per DLL

- Two outputs per PLL
- Clock divider outputs
- Digital Clock Select (DCS) block outputs
- Three outputs per SERDES quad

Figure 2-5 shows the arrangement of the primary clock sources.

Figure 2-5. Clock Sources



Primary Clock Routing

The clock routing structure in LatticeSC devices consists of 12 Primary Clock lines per quadrant. The primary clocks are generated from 64:1 MUXs located in each quadrant. Three of the inputs to each 64:1 MUX comes from local routing, one is connected to GND and rest of the 60 inputs are from the primary clock sources. Figure 2-6 shows this clock routing.

Figure 2-6. Per Quadrant Clock Selection



Note: GND is available to switch off the network.

Secondary Clocks

In addition to the primary clock network and edge clocks the LatticeSC devices also contain a secondary clock network. Built of X6 style routing elements this secondary clock network is ideal for routing slower speed clock and control signals throughout the device preserving high-speed clock networks for the most timing critical signals.

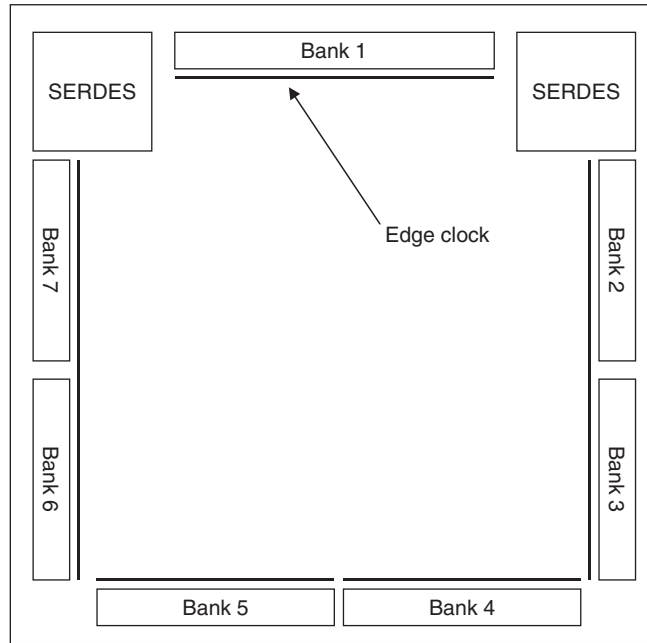
Edge Clocks

LatticeSC devices have a number of high-speed edge clocks that are intended for use with the PIOs in the implementation of high-speed interfaces. There are eight edge clocks per bank for the top and bottom of the device. The left and right sides have eight edge clocks per side for both banks located on that side. Figure 2-7 shows the arrangement of edge clocks.

Edge clock resources can be driven from a variety of sources. Edge clock resources can be driven from:

- Edge clock PIOs in the same bank
- Primary clock PIOs in the same bank
- Routing
- Adjacent PLLs and DLLs
- ELSR output from the clock divider

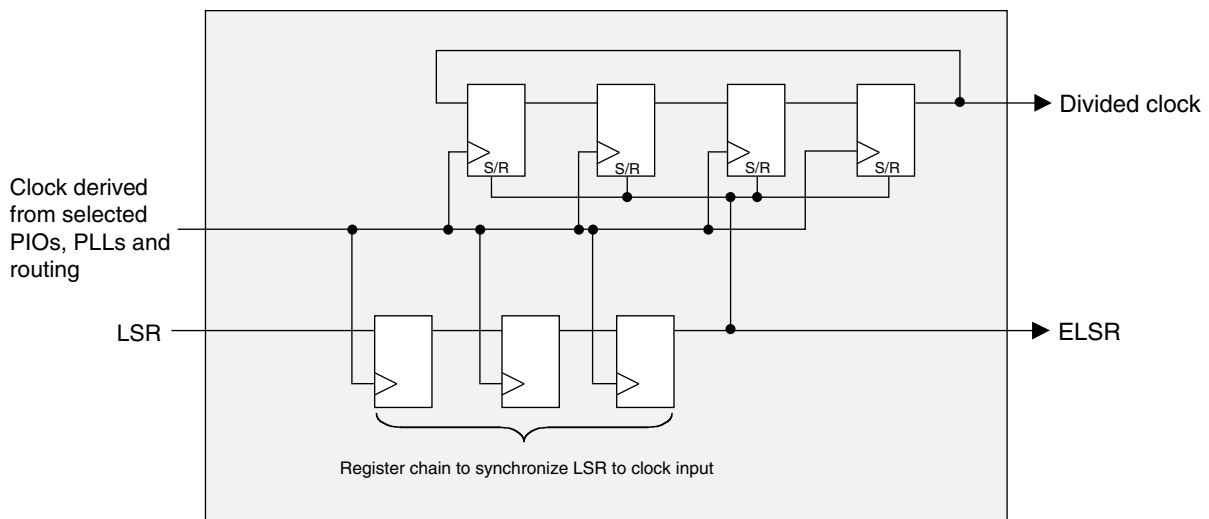
Figure 2-7. Edge Clock Resources



Precision Clock Divider

Each set of edge clocks has four high-speed dividers associated with it. These are intended for generating a slower speed system clock from the high-speed edge clock. The block operates in a DIV2 or DIV4 mode and maintains a known phase relationship between the divided down clock and high-speed clock based on the release of its reset signal. The clock dividers can be fed from selected PIOs, PLLs and routing. The clock divider outputs serve as primary clock sources. This circuit also generates an edge local set/reset (ELSR) signal which is fed to the PIOs via the edge clock network and is used for the rest of the I/O gearing logic.

Figure 2-8. Clock Divider Circuit



Dynamic Clock Select (DCS)

The DCS is a global clock buffer with smart multiplexer functions. It takes two independent input clock sources and outputs a clock signal without any glitches or runt pulses. This is achieved irrespective of where the select signal is

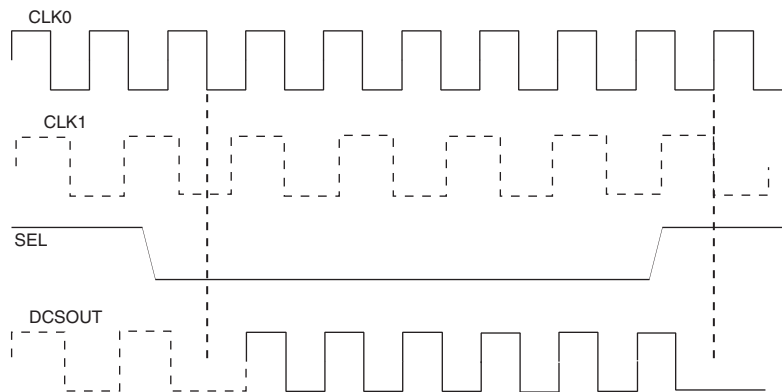
toggled. There are eight DCS blocks per device, located in pairs at the center of each side. Figure 2-9 illustrates the DCS Block diagram.

Figure 2-9. DCS Block Diagram



Figure 2-10 shows timing waveforms for one of the DCS operating modes. The DCS block can be programmed to other modes. For more information on the DCS, please see details of additional technical documentation at the end of this data sheet.

Figure 2-10. DCS Waveforms



Clock Boosting

There are programmable delays available in the clock signal paths in the PFU, PIC and EBR blocks. These allow setup and clock-to-output times to be traded to meet critical timing without slowing the system clock. If this feature is enabled then the design tool automatically uses these delays to improve timing performance.

Global Set/Reset

There is a global set/reset (GSR) network on the device that is distributed to all FFs, PLLs, DLLs and other blocks on the device. This GSR network can operate in two modes:

- a) asynchronous - no clock is required to get into or out of the reset state.
- b) synchronous - The global GSR net is synchronized to a user selected clock. In this mode it continues to be asynchronous to get into the reset state, but is synchronous to get out of the reset state. This allows all registers on the device to become operational in the same clock period. The synchronous GSR goes out of reset in two cycles from the clock edge where the setup time of the FF was met (not from the GSR being released).

sysCLOCK Phase Locked Loops (PLLs)

The sysCLOCK PLLs provide the ability to synthesize clock frequencies. Each PLL has four dividers associated with it: input clock divider, feedback divider and two clock output dividers. The input divider is used to divide the input clock signal, while the feedback divider is used to multiply the input clock signal.

The setup and hold times of the device can be improved by programming a delay in the feedback or input path of the PLL which will advance or delay the output clock with reference to the input clock. This delay can be either programmed during configuration or can be adjusted dynamically.

The Phase Select block can modify the phase of the clock signal if desired. The Spread Spectrum block supports the modulation of the PLL output frequency. This reduces the peak energy in the fundamental and its harmonics providing for lower EMI (Electro Magnetic Interference).

The sysCLOCK PLL can be configured at power-up and then, if desired, reconfigured dynamically through the serial memory interface bus which connects with the on-chip system bus. For example, the user can select inputs, loop filters, divider setting, delay settings and phase shift settings. The user can also directly access the SMI bus through the routing.

The PLL clock input, from pin or routing, feeds into an input divider. There are four sources of feedback signal to the feedback divider: from the clock net, directly from the voltage controlled oscillator (VCO) output, from the routing or from an external pin. The signal from the input clock divider and the feedback divider are passed through the programmable delay before entering the phase frequency detector (PFD) unit. The output of this PFD is used to control the voltage controlled oscillator. There is a PLL_LOCK signal to indicate that VCO has locked on to the input clock signal. Figure 2-11 shows the sysCLOCK PLL diagram.

Figure 2-11. PLL Diagram



For more information on the PLL, please see details of additional technical documentation at the end of this data sheet.

Spread Spectrum Clocking (SSC)

The PLL supports spread spectrum clocking to reduce peak EMI by using “down-spread” modulation. The spread spectrum operation will vary the output frequency (at 30KHz to 500KHz) in a range that is between its nominal value, down to a frequency that is a programmable 1%, 2%, or 3% lower than normal.

Digital Locked Loop (DLLs)

In addition to PLLs, the LatticeSC devices have up to 12 DLLs per device. DLLs assist in the management of clocks and strobes. DLLs are well suited to applications where the clock may be stopped or transferring jitter from input to output is important, for example forward clocked interfaces. PLLs are good for applications requiring the lowest output jitter or jitter filtering. All DLL outputs are routed as primary/edge clock sources.

The DLL has two independent clock outputs, CLKOP and CLKOS. These outputs can individually select one of the outputs from the tapped delay line. The CLKOS has optional fine phase shift and divider blocks to allow this output to be further modified, if required. The fine phase shift block allows the CLKOS output to be phase shifted a further 45, 22.5 or 11.25 degrees relative to its normal position. LOCK output signal is asserted when the DLL is locked. The ALU HOLD signal setting allows users to freeze the DLL at its current delay setting.

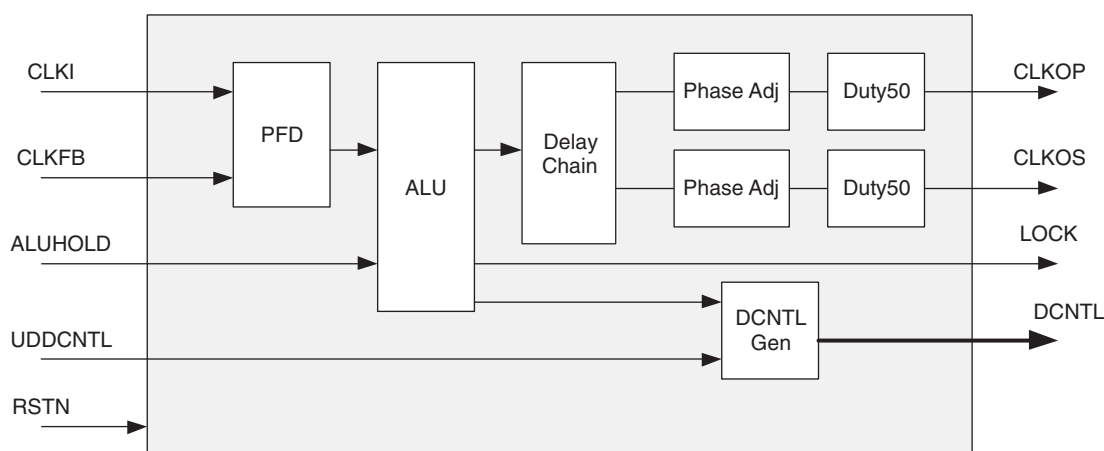
There is a Digital Control (DCNTL) bus available from the DLL block. This Digital Control bus is available to the delay lines in the PIC blocks in the adjacent banks. The UDDCNTL signal allows the user to latch the current value on the digital control bus.

Figure 2-12 shows the DLL block diagram of the DLL inputs and outputs. The output of the phase frequency detector controls an arithmetic logic unit (ALU) to add or subtract one delay tap. The digital output of this ALU is used to control the delay value of the delay chain and this digital code is transmitted via the DCNTL bus.

The sysCLOCK DLL can be configured at power-up, then, if desired, reconfigured dynamically through the Serial Memory Interface bus which interfaces with the on-chip Microprocessor Interface (MPI) bus. In addition, users can drive the SMI interface from routing if desired.

The user can configure the DLL for many common functions such as clock injection match and single delay cell. Lattice provides primitives in its design for time reference delay (DDR memory) and clock injection delay removal.

Figure 2-12. DLL Diagram



PLL/DLL Cascading

The LatticeSC devices have been designed to allow certain combinations of PLL and DLL cascading. The allowable combinations are as follows:

- PLL to PLL
- PLL to DLL
- DLL to DLL
- DLL to PLL

DLLs are used to shift the clock in relation to the data for source synchronous inputs. PLLs are used for frequency synthesis and clock generation for source synchronous interfaces. Cascading PLL and DLL blocks allows applications to utilize the unique benefits of both DLL and PLLs.

When cascading the DLL to the PLL, the DLL can be used to drive the PLL to create fine phase shifts of an input clock signal. Figure 2-13 shows a shift of all outputs for CLKOP and CLKOS out in time.

Figure 2-13. DLL to PLL



Figure 2-14 shows a shift of only CLKOP out in time.

Figure 2-14. PLL to DLL



Figure 2-15 shows a shift of only CLKOS out in time.

Figure 2-15. PLL to DLL



For further information on the DLL, please see details of additional technical documentation at the end of this data sheet.

sysMEM Memory Block

The sysMEM block can implement single port, true dual port, pseudo dual port or FIFO memories. Dedicated FIFO support logic allows the LatticeSC devices to efficiently implement FIFOs without consuming LUTs or routing resources for flag generation. Each block can be used in a variety of depths and widths as shown in Table 2-5. Memory with ranges from x1 to x18 in all modes: single port, pseudo-dual port and FIFO also providing x36.

Table 2-5. sysMEM Block Configurations

| Memory Mode | Configurations |
|------------------|---|
| Single Port | 16,384 x 1 8,192 x 2 4,096 x 4 2,048 x 9 1,024 x 18 512 x 36 |
| True Dual Port | 16,384 x 1 8,192 x 2 4,096 x 4 2,048 x 9 1,024 x 18 |
| Pseudo Dual Port | 16,384 x 1 8,192 x 2 4,096 x 4 2,048 x 9 1,024 x 18 512 x 36 |
| FIFO | 16,384 x 1 8,192 x 2 4,096 x 4 2,048 x 9 1,024 x 18 512 x 36 |

Bus Size Matching

All of the multi-port memory modes support different widths on each of the ports. The RAM bits are mapped LSB word 0 to MSB word 0, LSB word 1 to MSB word 1 and so on. Although the word size and number of words for each port varies, this mapping scheme applies to each port.

RAM Initialization and ROM Operation

If desired, the contents of the RAM can be pre-loaded during device configuration. By preloading the RAM block during the chip configuration cycle and disabling the write controls, the sysMEM block can also be utilized as a ROM.

Single, Dual and Pseudo-Dual Port Modes

In all the sysMEM RAM modes the input data and address for the ports are registered at the input of the memory array. The output data of the memory is optionally registered at the output. A clock is required even in asynchronous read mode.

The EBR memory supports two forms of write behavior for dual port operation:

1. **Normal** — data on the output appears only during a read cycle. During a write cycle, the data (at the current address) does not appear on the output.
2. **Write Through** — a copy of the input data appears at the output of the same port.

FIFO Configuration

The FIFO has a write port with Data-in, WCE, WE and WCLK signals. There is a separate read port with Data-out, RCE, RE and RCLK signals. The FIFO internally generates Almost Full, Full, Almost Empty, and Empty Flags. The Full and Almost Full flags are registered with WCLK. The Empty and Almost Empty flags are registered with RCLK.

EBR Asynchronous Reset

EBR asynchronous reset or GSR (if used) can only be applied if all clock enables are low for a clock cycle before the reset is applied and released a clock cycle after the low-to-high transition of the reset, as shown in Figure 2-16.

Figure 2-16. EBR Asynchronous Reset (Including GSR) Timing Diagram



If all clock enables remain enabled, the EBR asynchronous reset or GSR may only be applied and released after the EBR read and write clock inputs are in a steady state condition for a minimum of $1/f_{MAX}$ (EBR clock). The reset release must adhere to the EBR synchronous reset setup time before the next active read or write clock edge.

If an EBR is pre-loaded during configuration, the GSR input must be disabled or the release of the GSR during device Wake Up must occur before the release of the device I/Os becoming active.

These instructions apply to all EBR RAM, ROM, FIFO and shift register implementations. For the EBR FIFO mode, the GSR signal is always enabled and the WE and RE signals act like the clock enable signals in Figure 2-16. The reset timing rules apply to the RPRreset input vs. the RE input and the RST input vs. the WE and RE inputs. Both RST and RPRreset are always asynchronous EBR inputs. For the EBR shift register mode, the GSR signal is always enabled and the local RESET pin is always asynchronous.

Note that there are no reset restrictions if the EBR synchronous reset is used and the EBR GSR input is disabled. For more information about on-chip memory, see TN1094, [On-Chip Memory Usage Guide for LatticeSC Devices](#).

Programmable I/O Cells (PIC)

Each PIC contains four PIOs connected to their respective PURESPEED I/O Buffer which are then connected to the PADs as shown in Figure 2-17. The PIO Block supplies the output data (DO) and the Tri-state control signal (TO) to PURESPEED I/O buffer, and receives input (DI) from the buffer. The PIO contains advanced capabilities to allow the support of speeds up to 2Gbps. These include dedicated shift and DDR logic and adaptive input logic. The dedicated resources simplify the design of robust interfaces.

Figure 2-17. PIC Diagram



*AIL only on A or C pads located on the left, right and bottom of the device.

The A/B PIOs on the left and the right of the device can be paired to form a differentiated driver. The A/B and C/D PIOs on all sides of the device can be paired to form differential receivers. Either A or C PIOs on all sides except the one on top also provide a connection to an adaptive input logic capability that facilitates the implementation of

high-speed interfaces in the LatticeSC devices. Figure 2-18 shows how differential receivers and drivers are arranged between PIOs.

Figure 2-18. Differential Drivers and Receivers



*Differential Driver only available on right and left of the device.

PIO

The PIO contains five blocks: an input register block, output register block, tristate register block, update block, and a control logic block. These blocks contain registers for both single data rate (SDR), double data rate (DDR), and shift register operation along with the necessary clock and selection logic.

Input Register Block

The input register block contains delay elements and registers that can be used to condition signals before they are passed to the device core. Figure 2-20 show the diagram of the input register block. The signal from the PURE-SPEED I/O buffer (DI) enters the input register block and can be used for three purposes, as a source for the combinatorial (INDD) and clock outputs (INCK), the input into the SDR register/latch block and the input to the delay block. The output of the delay block can be used as combinatorial (INDD) and clock (INCK) outputs, an input to the DDR/Shift Register Block or an input into the SDR register block.

Input SDR Register/Latch Block

The SDR register/latch block has a latch and a register/latch that can be used in a variety of combinations to provide a registered or latched output (INFF). The latch operates off high-speed input clocks and latches data on the positive going edge. The register/latch operates off the low-speed input clock and registers/latches data on the positive going edge. Both the latch and the register/latch have a clock enable input that is driven by the input clock enable. In addition both have a variety of programmable options for set/reset including, set or reset, asynchronous or synchronous Local Set Reset LSR (LSR has precedence over CE) and Global Set Reset GSR enable or disable. The register and latch LSR inputs are driven from LSRI, which is generated from the PIO control MUX. The GSR inputs are driven from the GSR output of the PIO control MUX, which allows the global set-reset to be disabled on a PIO basis.

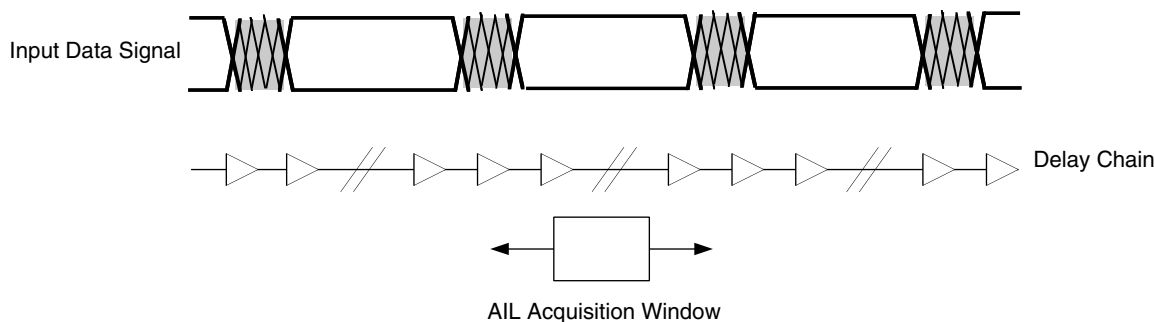
Input Delay Block

The delay block uses 144 tapped delay lines to obtain coarse and fine delay resolution. These delays can be adjusted during configuration or automatically via DLL or AIL blocks. The Adaptive Input Logic (AIL) uses this delay block to adjust automatically the delay in the data path to ensure that it has sufficient setup and hold time.

The delay line in this block matches the delay line that is used in the 12 on-chip DLLs. The delay line can be set via configuration bits or driven from a calibration bus that allows the setting to be controlled either from one of the on-chip DLLs or user logic. Controlling the delay from one of the on-chip DLLs allow the delay to be calibrated to the DLL clock and hence compensated for the variations in process, voltage and temperature.

Adaptive Input Logic (AIL) Overview

The Adaptive Input Logic (AIL) provides the ability of the input logic to dynamically find a solution by monitoring multiple samples of the input data. The input data signal from the input buffer is run through a delay chain. Data, transitions, jitter, noise are all contained inside of the delay chain. The AIL will then search the delay chain for a clean sampling point for data. Once found the AIL will monitor and walk with the data dynamically. This novel approach of using a delay chain to create multiple copies of the data provides a lower power solution than oversampling data with a higher speed clock. Figure 2-19 provides a high level view of the AIL methodology.

Figure 2-19. LatticeSC AIL Delay of Input Data Waveform

The AIL slides the acquisition window through the delay chain searching for stable data based solely on data transitions. A specific training pattern is not required to perform this bit alignment, simply data transitions. The size of the acquisition window is user-selectable allowing the AIL to operate over the full range of the PURESPEED I/O range. Based on dynamic user control the AIL can either continuously adjust the window location based on data edge detection or it can be locked to a specific delay.

The AIL operates on single data and double data rate interfaces and is available on most FPGA input pins on the LatticeSC device and all buffer types. The AIL block is low power using only 0.003 mW/MHz typical (6 mW @ 2 Gbps) for PRBS 2^7 data. Multiple AIL inputs can be used to create a bus with a FPGA circuit to realign the bus to a common clock cycle. The FPGA circuit to realign the bus is required and is provided by Lattice as a reference design.

For more information on the LatticeSC AIL please refer to TN1158 [LatticeSC PURESPEED I/O Adaptive Input Logic User's Guide](#).

Input DDR/Shift Block

The DDR/Shift block contains registers and associated logic that support DDR and shift register functions using the high-speed clock and the associated transfer to the low-speed clock domain. It functions as a gearbox allowing high-speed incoming data to be passed into the FPGA fabric. Each PIO supports DDR and x2 shift functions. If desired PIOs A and B or C and D can be combined to form x4 shift functions. The PIOs A and C on the left, right and bottom of the device also contain an optional Adaptive Input Logic (AIL) element. This logic automatically aligns incoming data with the clock allowing for easy design of high-speed interfaces. Figure 2-21 shows a simplified block diagram of the shift register block. The shift block in conjunction with the update and clock divider blocks automatically handles the hand off between the low-speed and high-speed clock domains.

Figure 2-20. Input Register Block¹



1. UPDATE, Set and Reset not shown for clarity
2. Adaptive input logic is only available in selected PIO
3. By four shift modes utilize DDR/shift register block from paired PIO.
4. CLKDISABLE is used to block the transitions on the DQS pin during post-amble. Its main use is to disable DQS (typically found in DDR memory interfaces) or other clock signals. It can also be used to disable any/all input signals to save power.

Figure 2-21. Input DDR/Shift Register Block



Output Register Block

The output register block provides the ability to register signals from the core of the device before they are passed to the PURESPEED I/O buffers. The block contains a register for SDR operation and a group of registers for DDR and shift register operation. The output signal (DO) can be derived directly from one of the inputs (bypass mode), the SDR register or the DDR/shift register block. Figure 2-22 shows the diagram of the Output Register Block.

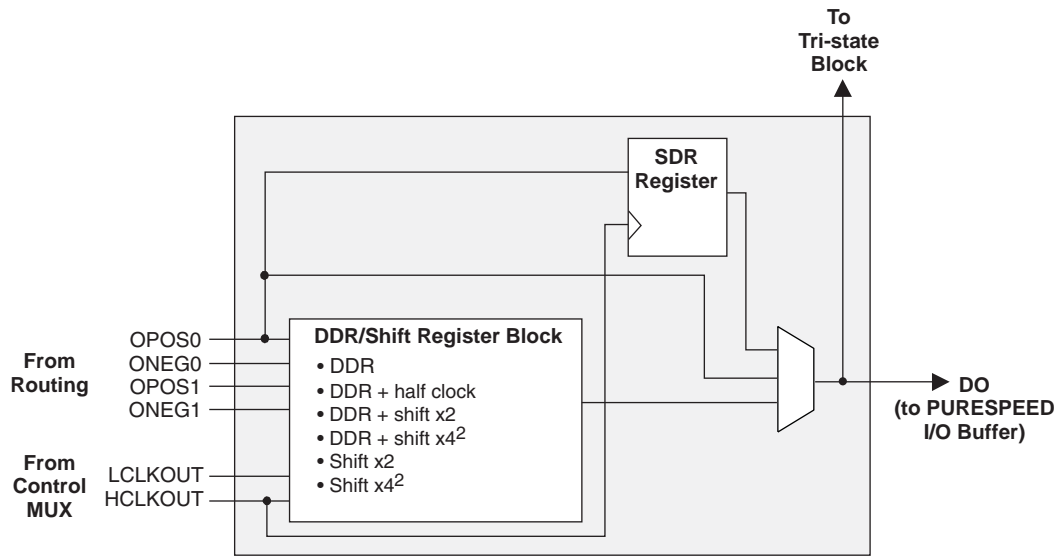
Output SDR Register/Latch Block

The SDR register operates on the positive edge of the high-speed clock. It has clock enable that is driven by the clock enable output signal generated by the control MUX. In addition it has a variety of programmable options for set/reset including, set or reset, asynchronous or synchronous Local Set Reset LSR (LSR has precedence over CE) and Global Set Reset GSR enable or disable. The register LSR input is driven from LSRO, which is generated from the PIO control MUX. The GSR inputs is driven from the GSR output of the PIO control MUX, which allows the global set-reset to be disabled on a PIO basis.

Output DDR/Shift Block

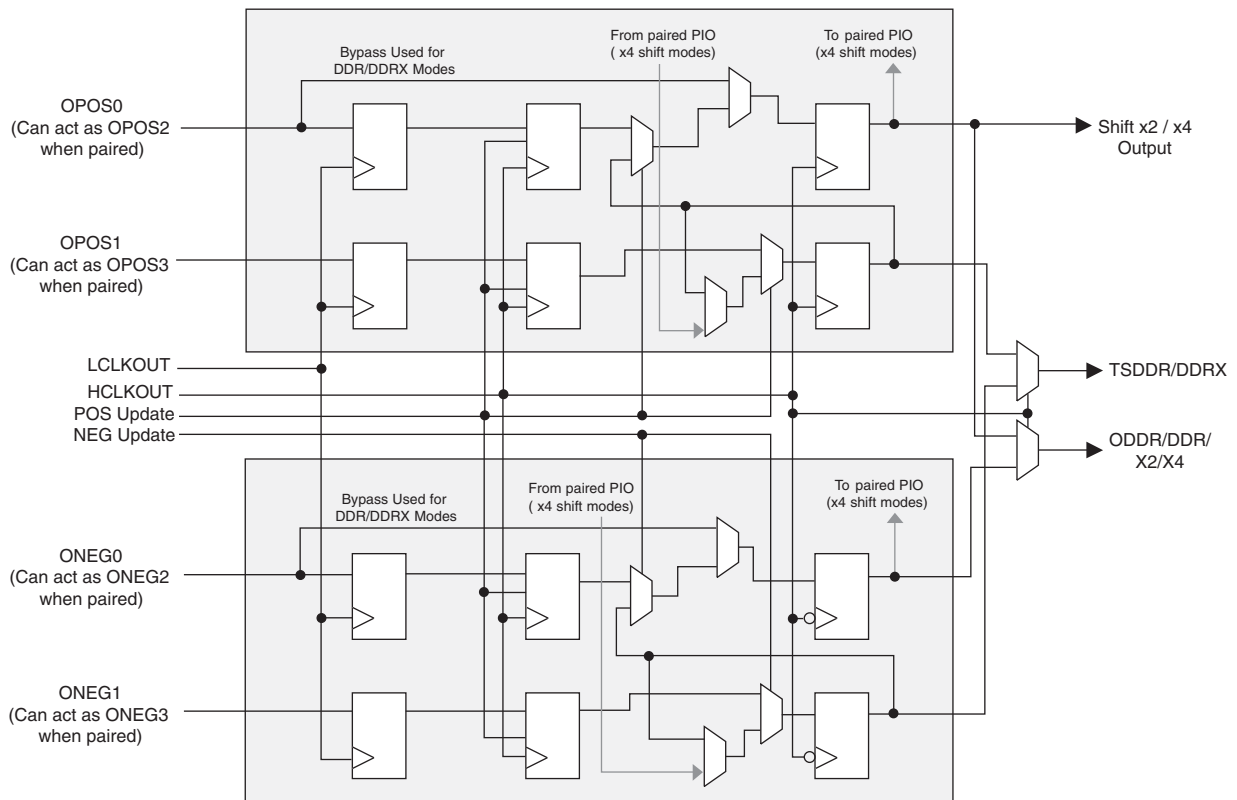
The DDR/Shift block contains registers and associated logic that support DDR and shift register functions using the high-speed clock and the associated transfer from the low-speed clock domain. It functions as a gearbox allowing low-speed parallel data from the FPGA fabric be output as a higher speed serial stream. Each PIO supports DDR and x2 shift functions. If desired PIOs A and B or C and D can be combined to form x4 shift functions. Figure 2-22 shows a simplified block diagram of the shift register block.

Figure 2-22. Output Register Block¹



- Notes:
1. CE, Update, Set and Reset not shown for clarity.
 2. By four shift modes utilizes DDR/Shift register block from paired PIO.
 3. DDR/Shift register block shared with tristate block.

Figure 2-23. Output/Tristate DDR/Shift Register Block



Tristate Register Block

The tristate register block provides the ability to register tri-state control signals from the core of the device before they are passed to the PURESPEED I/O buffers. The block contains a register for SDR operation and a group of three registers for DDR and shift register operation. The output signal tri-state control signal (TO) can be derived directly from one of the inputs (bypass mode), the SDR shift register, the DDR registers or the data associated with the buffer (for open drain emulation). Figure 2-24 shows the diagram of the Tristate Register Block.

Tristate SDR Register/Latch Block

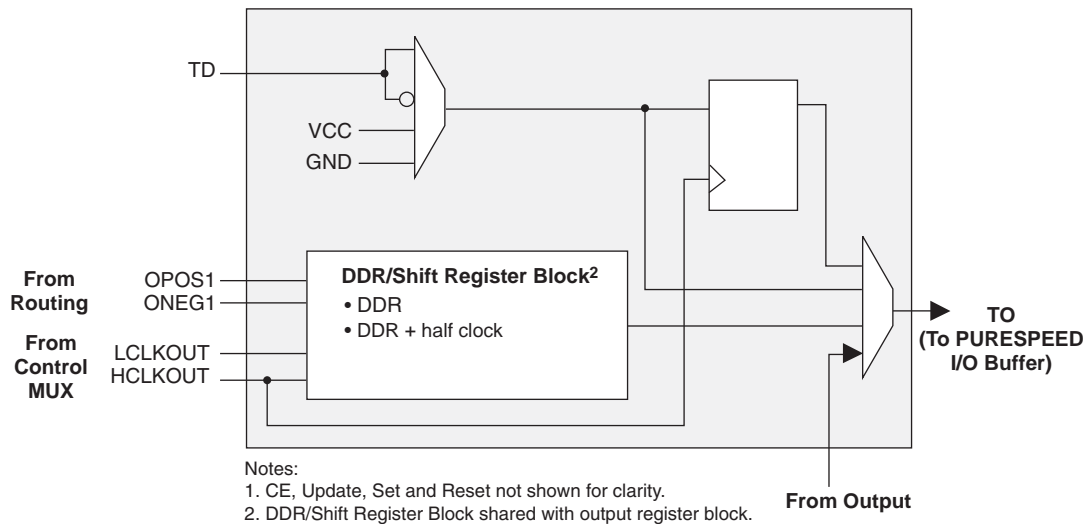
The SDR register operates on the positive edge of the high-speed clock. In it has a variety of programmable options for set/reset including, set or reset, asynchronous or synchronous Local Set Reset LSR and Global Set Reset GSR enable or disable. The register LSR input is driven from LSRO, which is generated from the PIO control MUX. The GSR input is driven from the GSR output of the PIO control MUX, which allows the global set-reset to be disabled on a PIO basis.

Tristate DDR/Shift Register Block

The DDR/Shift block is shared with the output block allowing DDR support using the high-speed clock and the associated transfer from the low-speed clock domain. It functions as a gearbox allowing low-speed parallel data from the FPGA fabric to provide a high-speed tri-state control stream.

There is a special mode for DDR-II memory interfaces where the termination is controlled by the output tristate signal. During WRITE cycle when the FPGA is driving the lines, the parallel terminations are turned off. During READ cycle when the FPGA is receiving data, the parallel terminations are turned on.

Figure 2-24. Tristate Register Block¹



I/O Architecture Rules

Table 2-6 shows the PIO usage for x1, x2, x4 gearing. The checkmarks in the columns show the specific PIOs that are used for each gearing mode. When using x2 or x4 gearing, any PIO which is not used for gearing can still be used as an output.

Table 2-6. Input/Output/Tristate Gearing Resource Rules

| PIO | Input/Output Logic | | | Tri-State/Bidi | |
|-----|--------------------|--------------|--------------|----------------|-------|
| | x1 | x2 | x4 | x1 | x2/x4 |
| A | ? | ? | ? | ? | N/A |
| B | ? | No I/O Logic | No I/O Logic | ? | N/A |
| C | ? | ? | No I/O Logic | ? | N/A |
| D | ? | No I/O Logic | No I/O Logic | ? | N/A |

Note: Pin can still be used without I/O logic.

Control Logic Block

The control logic block allows the modification of control signals selected by the routing before they are used in the PIO. It can optionally invert all signals passing through it except the Global Set/Reset. Global Set/Reset can be enabled or disabled. It can route either the edge clock or the clock to the high-speed clock nets. The clock provided to the PIO by routing is used as the slow-speed clocks. In addition this block contains delays that can be inserted in the clock nets to enable Lattice’s unique cycle boosting capability.

Update Block

The update block is used to generate the POS update and NEG update signals used by the DDR/Shift register blocks within the PIO. Note the update block is only required in shift modes. This is required in order to do the high speed to low speed handoff. One of these update signals is also selected and output from the PIC as the signal UPDATE. It consists of a shift chain that operates off either the high-speed input or output clock. The values of each register in the chain are set or reset depending on the desired mode of operation. The set/reset signal is generated from either the edge reset ELSR or the local reset LSR. These signals are optionally inverted by the Control Logic Block and provided to the update block as ELSRUP and LSRUP. The Lattice design tools automatically configure and connect the update block when one of the DDR or shift register primitives is used.

Figure 2-25. Update Block



PURESPEED I/O Buffer

Each I/O is associated with a flexible buffer referred to as PURESPEED I/O buffer. These buffers are arranged around the periphery of the device in seven groups referred to as Banks. The PURESPEED I/O buffers allow users to implement the wide variety of standards that are found in today’s systems including LVCMOS, SSTL, HSTL, LVDS and LVPECL. The availability of programmable on-chip termination for both input and output use, further enhances the utility of these buffers.

PURESPEED I/O Buffer Banks

LatticeSC devices have seven PURESPEED I/O buffer banks; each is capable of supporting multiple I/O standards. Each PURESPEED I/O bank has its own I/O supply voltage (V_{CCIO}), and two voltage references V_{REF1} and V_{REF2} resources allowing each bank to be completely independent from each other. Figure 2-26 shows the seven banks and their associated supplies. Table 2-7 lists the maximum number of I/Os per bank for the whole LatticeSC family.

In the LatticeSC devices, single-ended output buffers and ratioed input buffers (LVTTTL, LVCMOS, PCI33 and PCIX33) are powered using V_{CCIO} . In addition to the bank V_{CCIO} supplies, the LatticeSC devices have a V_{CC} core logic power supply, and a V_{CCAUX} supply that power all differential and referenced buffers. V_{CCAUX} also powers a predriver of single-ended output buffers to enhance buffer performance.

Each bank can support up to two separate VREF voltages, VREF1 and VREF2 that set the threshold for the referenced input buffers. In the LatticeSC devices any I/O pin in a bank can be configured to be a dedicated reference voltage supply pin. Each I/O is individually configurable based on the bank's supply and reference voltages.

Differential drivers have user selectable internal or external bias. External bias is brought in by the VREF1 pin in the bank. External bias for differential buffers is needed for applications that requires tighter than standard output common mode range.

Since a bank can have only one external bias circuit for differential drivers, LVDS and RSDS differential outputs can be mixed in a bank.

If a differential driver is configured in a bank, one pin in that bank becomes a DIFFR pin. This DIFFR pin must be connected to ground via an external 1K +/-1% ohm resistor. Note that differential drivers are not supported in banks 1, 4 and 5.

In addition, there are dedicated Terminating Supply (V_{TT}) pins to be used as terminating voltage for one of the two ways to perform parallel terminations. These V_{TT} pins are available in banks 2-7, these pins are not available in some packages. When VTT termination is not required, or used to provide the common mode termination voltage (VCMT), these pins can be left unconnected on the device. If the internal or external VCMT function for differential input termination is used, the VTT pins should be unconnected and allowed to float.

There are further restrictions on the use of V_{TT} pins, for additional details refer to technical information at the end of this data sheet.

Figure 2-26. LatticeSC Banks



Table 2-7. Maximum Number of I/Os Per Bank in LatticeSC Family

| Device | LFSC/M15 | LFSC/M25 | LFSC/M40 | LFSC/M80 | LFSC/M115 |
|--------|----------|----------|----------|----------|-----------|
| Bank1 | 104 | 80 | 136 | 80 | 136 |
| Bank2 | 28 | 36 | 60 | 96 | 136 |
| Bank3 | 60 | 84 | 96 | 132 | 156 |
| Bank4 | 72 | 100 | 124 | 184 | 208 |
| Bank5 | 72 | 100 | 124 | 184 | 208 |
| Bank6 | 60 | 84 | 96 | 132 | 156 |
| Bank7 | 28 | 36 | 60 | 96 | 136 |

Note: Not all the I/Os of the Banks are available in all the packages

The LatticeSC devices contain three types of PURESPEED I/O buffers:

1. **Left and Right Sides (Banks 2, 3, 6 and 7)**

These buffers can support LVCMOS standards up to 2.5V. A differential output driver (for LVDS and RSDS) is provided on all primary PIO pairs (A and B) and differential receivers are available on all pairs. Complimentary drivers are available. Adaptive input logic is available on PIOs A or C.

2. **Top Side (Bank 1)**

These buffers can support LVCMOS standards up to 3.3V, including PCI33, PCI-X33 and SSTL-33. Differential receivers are provided on all PIO pairs but differential drivers for LVDS and RSDS are not available. Adaptive input logic is not available on this side. Complimentary output drivers are available.

3. Bottom Side (Banks 4 and 5)

These buffers can support LVCMOS standards up to 3.3V, including PCI33, PCI-X33 and SSTL-33. Differential receivers are provided on all PIO pairs but true HLVDS and RSDS differential drivers are not available. Adaptive input logic is available on PIOs A or C.

Table 2-8 lists the standards supported by each side.

Table 2-8. I/O Standards Supported by Different Banks

| Description | Top Side Banks 1 | Right Side Banks 2-3 | Bottom Side Banks 4-5 | Left Side Banks 6-7 |
|---|---|---|---|---|
| I/O Buffer Type | Single-ended, Differential Receiver | Single-ended, Differential Receiver and Driver | Single-ended, Differential Receiver | Single-ended, Differential Receiver and Driver |
| Output Standards Supported | LVTTTL LVCMOS33 LVCMOS25 LVCMOS18 LVCMOS15 LVCMOS12 SSTL18_I, II SSTL25_I, II SSTL33_I, II HSTL15_I, II, III ¹ , IV ¹ HSTL18_I, II, III ¹ , IV ¹ SSTL18D_I, II SSTL25D_I, II SSTL33D_I, II HSTL15D_I, II HSTL18D_I, II PCI33 PCIX15 PCIX33 AGP1X33 AGP2X33 MLVDS/BLVDS GTL ² , GTL+ ² | LVCMOS25 LVCMOS18 LVCMOS15 LVCMOS12 SSTL18_I, II SSTL25_I, II HSTL15_I, III HSTL18_I, II, III PCIX15 SSTL18D_I, II SSTL25D_I, II HSTL15D_I, II HSTL18D_I, II LVDS/RSDS Mini-LVDS MLVDS/BLVDS GTL ² , GTL+ ² | LVTTTL LVCMOS33 LVCMOS25 LVCMOS18 LVCMOS15 LVCMOS12 SSTL18_I, II SSTL25_I, II SSTL33_I, II HSTL15_I, II, III ¹ , IV ¹ HSTL18_I, II, III ¹ , IV ¹ SSTL18D_I, II SSTL25D_I, II SSTL33D_I, II HSTL15D_I, II HSTL18D_I, II PCI33 PCIX15 PCIX33 AGP1X33 AGP2X33 MLVDS/BLVDS GTL ² , GTL+ ² | LVCMOS25 LVCMOS18 LVCMOS15 LVCMOS12 SSTL18_I, II SSTL25_I, II HSTL15_I, III HSTL18_I, II, III PCIX15 SSTL18D_I, II SSTL25D_I, II HSTL15D_I, II HSTL18D_I, II LVDS/RSDS Mini-LVDS MLVDS/BLVDS GTL ² , GTL+ ² |
| Input Standards Supported | Single-ended, Differential | Single-ended, Differential | Single-ended, Differential | Single-ended, Differential |
| Clock Inputs | Single-ended, Differential | Single-ended, Differential | Single-ended, Differential | Single-ended, Differential |
| Differential Output Support via Emulation | LVDS/MLVDS/BLVDS/ LVPECL | MLVDS/BLVDS/ LVPECL | LVDS/MLVDS/BLVDS/ LVPECL | MLVDS/BLVDS/ LVPECL |
| ALL Support | No | Yes | Yes | Yes |

1. Input only.

2. Input only. Outputs supported by bussing multiple outputs together.

Supported Standards

The LatticeSC PURESPEED I/O buffer supports both single-ended and differential standards. Single-ended standards can be further subdivided into LVCMOS, LVTTTL and other standards. The buffers support the LVTTTL, LVCMOS 12, 15, 18, 25 and 33 standards. In the LVCMOS and LVTTTL modes, the buffer has individually configurable options for drive strength, termination resistance, bus maintenance (weak pull-up, weak pull-down, or a bus-keeper latch) and open drain. Other single-ended standards supported include SSTL, HSTL, GTL (input only), GTL+ (input only), PCI33, PCIX33, PCIX15, AGP-1X33 and AGP-2X33. Differential standards supported include LVDS, RSDS, BLVDS, MLVDS, LVPECL, differential SSTL and differential HSTL. Tables 12 and 13 show the I/O standards (together with their supply and reference voltages) supported by the LatticeSC devices. The tables also provide the available internal termination schemes. For further information on utilizing the PURESPEED I/O buffer to support a variety of standards please see details of additional technical documentation at the end of this data sheet.

Table 2-9. Supported Input Standards

| Input Standard | V _{REF} (Nom.) | V _{CCIO} ¹ (Nom.) | On-chip Termination |
|---|-------------------------|---------------------------------------|---|
| Single Ended Interfaces | | | |
| LVTTTL33 ³ | — | 3.3 | None |
| LVC MOS 33, 25, 18, 15, 12 ³ | — | 3.3/2.5/1.8/1.5/1.2 | None |
| PCI33, PCIX33, AGP1X33 ³ | — | 3.3 | None |
| PCIX15 | 0.75 | 1.5 ² | None / V _{CCIO} /2: 50, 60/ V _{TT} : 60, 75, 120, 210 |
| AGP2X33 | 1.32 | — | None |
| HSTL18_I, II | 0.9 | 1.8 ² | None / V _{CCIO} /2: 50, 60/ V _{TT} : 60, 75, 120, 210 |
| HSTL18_III, IV | 1.08 | 1.8 ² | None / V _{CCIO} : 50 |
| HSTL15_I, II | 0.75 | 1.5 ² | None / V _{CCIO} /2: 50, 60/ V _{TT} : 60, 75, 120, 210 |
| HSTL15_III, IV | 0.9 | 1.5 ² | None / V _{CCIO} : 50 |
| SSTL33_I, II | 1.5 | 3.3 | None |
| SSTL25_I, II | 1.25 | 2.5 ² | None / V _{CCIO} /2: 50, 60/ V _{TT} : 60, 75, 120, 210 |
| SSTL18_I, II | 0.9 | 1.8 ² | None / V _{CCIO} /2: 50, 60/ V _{TT} : 60, 75, 120, 210 |
| GTL+, GTL | 1.0 / 0.8 | 1.5 / 1.2 ² | None / V _{CCIO} : 50 |
| Differential Interfaces | | | |
| SSTL18D_I, II | — | 1.8 ² | None / Diff: 120, 150, 220, 420/ Diff to V _{CMT} : 120, 150, 220, 420 / V _{CCIO} /2: 50, 60/ V _{TT} : 60, 75, 120, 210 |
| SSTL25D_I, II | — | 2.5 ² | None / Diff: 120, 150, 220, 420/ Diff to V _{CMT} : 120, 150, 220, 420 / V _{CCIO} /2: 50, 60/ V _{TT} : 60, 75, 120, 210 |
| SSTL33D_I, II | — | 3.3 | None |
| HSTL15D_I, II | — | 1.5 ² | None / Diff: 120, 150, 220, 420/ Diff to V _{CMT} : 120, 150, 220, 420 / V _{CCIO} /2: 50, 60/ V _{TT} : 60, 75, 120, 210 |
| HSTL18D_I, II | — | 1.8 ² | None / Diff: 120, 150, 220, 420/ Diff to V _{CMT} : 120, 150, 220, 420 / V _{CCIO} /2: 50, 60/ V _{TT} : 60, 75, 120, 210 |
| LVDS | — | — | None / Diff: 120, 150, 220, 240/ Diff to V _{CMT} : 120, 150, 220, 240 |
| Mini-LVDS | — | — | None / Diff: 120, 150 / Diff to V _{CMT} : 120, 150 |
| BLVDS25 | — | — | None |
| MLVDS25 | — | — | None |
| RSDS | — | — | None / Diff: 120, 150, 220, 240/ Diff to V _{CMT} : 120, 150, 220, 240 |
| LVPECL33 | — | ≤2.5 | None / Diff: 120, 150, 220, 240/ Diff to V _{CMT} : 120, 150, 220, 240 |

1. When not specified V_{CCIO} can be set anywhere in the valid operating range.

2. V_{CCIO} needed for on-chip termination to V_{CCIO}/2 or V_{CCIO} only. V_{CCIO} is not specified for off-chip termination or V_{TT} termination.

3. All ratioed input buffers and dedicated pin input buffers include hysteresis with a typical value of 50mV.

Table 2-10. Supported Output Standards⁴

| Output Standard | Drive | V _{CCIO} (Nom) | On-chip Output Termination |
|------------------------------------|-----------------------|-------------------------|--|
| Single-ended Interfaces | | | |
| LVTTTL/D ¹ | 8mA, 16mA, 24mA | 3.3 | None. |
| LVC MOS33/D ¹ | 8mA, 16mA, 24mA | 3.3 | None |
| LVC MOS25/D ^{1,2} | 4mA, 8mA, 12mA, 16mA, | 2.5 | None, series: 25, 33, 50, 100 |
| LVC MOS18/D ^{1,2} | 4mA, 8mA, 12mA, 16mA, | 1.8 | None, series: 25, 33, 50, 100 |
| LVC MOS15/D ^{1,2} | 4mA, 8mA, 12mA, 16mA, | 1.5 | None, series: 25, 33, 50, 100 |
| LVC MOS12/D ^{1,2} | 2mA, 4mA, 8mA, 12mA | 1.2 | None, series: 25, 33, 50, 100 |
| PCIX15 | N/A | 1.5 | None |
| PCI33, PCIX33, AGP1X33, AGP2X33 | N/A | 3.3 | None |
| HSTL18_I | N/A | 1.8 | None, series: 50 |
| HSTL18_II | N/A | 1.8 | None, series: 25, series + parallel to V _{CCIO} / 2: 25 + 60 |
| HSTL15_I | N/A | 1.5 | None, series: 50 |
| HSTL15_II | N/A | 1.5 | None, series: 25, series + parallel to V _{CCIO} / 2: 25 + 60 |
| SSTL33_I | N/A | 3.3 | None |
| SSTL33_II | N/A | 3.3 | None |
| SSTL25_I | N/A | 2.5 | None, series: 50 |
| SSTL25_II | N/A | 2.5 | None, series: 33, series + parallel to V _{CCIO} / 2: 33+ 60 |
| SSTL18_I | N/A | 1.8 | None, series: 33 |
| SSTL18_II | N/A | 1.8 | None, series: 33, series + parallel to V _{CCIO} / 2: 33+ 60 |
| Differential Interfaces | | | |
| SSTL18D_I | N/A | 1.8 | None, series: 33 |
| SSTL25D_I | N/A | 2.5 | None, series: 50 |
| SSTL18D_II, SSTL25D_II | N/A | 1.2/2.5/3.3 | None, series: 33, series + parallel to V _{CCIO} / 2: 33+ 60 |
| SSTL33D_I, II | N/A | 3.3 | None |
| HSTL15D_I, HSTL18D_I | N/A | 1.5/1.8 | None, series: 50 |
| HST15D_II, HSTL18D_II | N/A | 1.5/1.8 | None, series: 25, series + parallel to V _{CCIO} / 2: 25 + 60 |
| LVDS | 2mA, 3.5mA, 4mA, 6mA | N/A | None |
| Mini-LVDS | 3.5mA, 4mA, 6mA | N/A | None |
| BLVDS25 | N/A | N/A | None |
| MLVDS25 | N/A | N/A | None |
| LVPECL33 ³ | N/A | 3.3 | None |
| RSDS | 2mA, 3.5mA, 4mA, 6mA | N/A | None |

1. D refers to open drain capability.

2. User can select either drive current or driver impedances but not both.

3. Emulated with external resistors.

4. No GTL or GTL+ support.

PCI Clamp

A programmable PCI clamp is available on the top and bottom banks of the device. The PCI clamp can be turned “ON” or “OFF” on each pin independently. The PCI clamp is used when implementing a 3.3V PCI interface. The

PCI Specification, Revision 2.2 requires the use of clamping diodes for 3.3V operation. For more information on the PCI interface, please refer to the PCI Specification, Revision 2.2.

Programmable Slew Rate Control

All output and bidirectional buffers have an optional programmable output slew rate control that can be configured for either low noise or high-speed performance. Each I/O pin has an individual slew rate control. This allows designers to specify slew rate control on a pin-by-pin basis. This slew rate control affects both the rising and falling edges.

Programmable Termination

Many of the I/O standards supported by the LatticeSC devices require termination at the transmitter, receiver or both. The SC devices provide the capability to implement many kinds of termination on-chip, minimizing stub lengths and hence improving performance. Utilizing this feature also has the benefit of reducing the number of discrete components required on the circuit board. The termination schemes can be split into two categories single-ended and differential.

Single Ended Termination

Single Ended Outputs: The SC devices support a number of different terminations for single ended outputs:

- Series
- Parallel to V_{CCIO} or GND
- Parallel to $V_{CCIO}/2$
- Parallel to $V_{CCIO}/2$ combined with series

Figure 2-27 shows the single ended output schemes that are supported. The nominal values of the termination resistors are shown in Table 2-10.

Figure 2-27. Output Termination Schemes

| Termination Type | Discrete Off-Chip Solution | Lattice On-Chip Solution |
|--|----------------------------|--------------------------|
| Series termination (controlled output impedance) | | |
| Parallel termination to VCCIO, or parallel driving end | | |
| Parallel termination to VCCIO/2 driving end | | |
| Combined series + parallel termination to VCCIO/2 at driving end (only series termination moved on-chip) | | |
| Combined series + parallel to VCCIO/2 driving end | | |

Single Ended Inputs: The SC devices support a number of different termination schemes for single ended inputs:

- Parallel to V_{CCIO} or GND
- Parallel to $V_{CCIO}/2$
- Parallel to V_{TT}

Figure 2-28 shows the single ended input schemes that are supported. The nominal values of the termination resistors are shown in Table 2-9.

Figure 2-28. Input Termination Schemes

| Termination Type | Discrete Off-Chip Solution | Lattice On-Chip Solution |
|---|----------------------------|--------------------------|
| Parallel termination to V_{CCIO} , or parallel to GND receiving end | | |
| Parallel termination to $V_{CCIO}/2$ receiving end | | |
| Parallel termination to V_{TT} at receiving end | | |

In many situations designers can chose whether to use Thevenin or parallel to V_{TT} termination. The Thevenin approach has the benefit of not requiring a termination voltage to be applied to the device. The parallel to V_{TT} approach consumes less power.

VTT Termination Resources

Each I/O bank, except bank 1, has a number of V_{TT} pins that must be connected if V_{TT} is used. Note V_{TT} pins can sink or source current and the power supply they are connected to must be able to handle the relatively high currents associated with the termination circuits. Note: V_{TT} is not available in all package styles.

On-chip parallel termination to V_{TT} is supported at the receiving end only. On-chip parallel output termination to V_{TT} is not supported.

The V_{TT} internal bus is also connected to the internal V_{CMT} node. Thus in one bank designers can implement either V_{TT} termination or V_{CMT} termination for differential inputs.

DDRII/RLDRAMII Termination Support

The DDR II memory and RLDRAMII (in Bidirection Data mode) standards require that the on-chip termination to V_{TT} be turned on when a pin is an input and off when the pin is an output. The LatticeSC devices contain the required circuitry to support this behavior. For additional detail refer to technical information at the end of the data sheet.

Differential Input Termination

The LatticeSC device allows two types of differential termination. The first is a single resistor across the differential inputs. The second is a center-tapped system where each input is terminated to the on-chip termination bus V_{CMT} . The V_{CMT} bus is DC-coupled through an internal capacitor to ground.

Figure 2-29 shows the differential termination schemes and Table 2-9 shows the nominal values of the termination resistors.

Figure 2-29. Differential Termination Scheme

| Termination Type | Discrete Off-Chip Solution | Lattice On-Chip Solution |
|--|----------------------------|--------------------------|
| Differential termination | | |
| Differential and common mode termination | | |

Calibration

There are two calibration sources that are associated with the termination scheme used in the LatticeSC devices:

- DIFFR – This pin occurs in each bank that supports differential drivers and must be connected through a 1K+/-1% resistor to ground if differential outputs are used. Note that differential drivers are not supported in banks 1, 4 and 5.
- XRES – There is one of these pins per device. It is used for several functions including calibrating on-chip termination. This pin should always be connected through a 1K+/-1% resistor to ground.

The LatticeSC devices support two modes of calibration:

- Continuous – In this mode the SC devices continually calibrate the termination resistances. Calibration happens several times a second. Using this mode ensures that termination resistances remain calibrated as the silicon junction temperature changes.
- User Request – In this mode the calibration circuit operates continuously. However, the termination resistor values are only updated on the assertion of the calibration_update signal available to the core logic.

For more information on calibration, refer to the details of additional technical documentation at the end of this data sheet.

Hot Socketing

The LatticeSC devices have been carefully designed to ensure predictable behavior during power-up and power-down. To ensure proper power sequencing, care must be taken during power-up and power-down as described below. During power-up and power-down sequences, the I/Os remain in tristate until the power supply voltage is high enough to ensure reliable operation. In addition, leakage into I/O pins is controlled to within specified limits,

this allows for easy integration with the rest of the system. These capabilities make the LatticeSC ideal for many multiple power supply and hot-swap applications. The maximum current during hot socketing is 4mA. See Hot Socketing Specifications in Chapter 3 of this data sheet.

Power-Up Requirements

To prevent high power supply and input pin currents, each VCC, VCC12, VCCAUX, VCCIO and VCCJ power supplies must have a monotonic ramp up time of 75 ms or less to reach its minimum operating voltage. Apart from VCC and VCC12, which have an additional requirement, and VCCIO and VCCAUX, which also have an additional requirement, the VCC, VCC12, VCCAUX, VCCIO and VCCJ power supplies can ramp up in any order, with no restriction on the time between them. However, the ramp time for each must be 75 ms or less. Configuration of the device will not proceed until the last power supply has reached its minimum operating voltage.

Additional Requirement for VCC and VCC12:

VCC12 must always be higher than VCC. This condition must be maintained at ALL times, including during power-up and power-down. Note that for 1.2V only operation, it is advisable to source both of these supplies from the same power supply.

Additional Requirement for VCCIO and VCCAUX:

If any VCCIOs are 1.2/1.5/1.8V, then VCCAUX MUST be applied before them. If any VCCIO is 1.2/1.5/1.8V and is powered up before VCCAUX, then when VCCAUX is powered up, it may drag VCCIO up with it as it crosses through the VCCIO value. (Note: If the VCCIO supply is capable of sinking current, as well as the more usual sourcing capability, this behavior is eliminated. However, the amount of current that the supply needs to sink is unknown and is likely to be in the hundreds of milliamps range).

Power-Down Requirements

To prevent high power supply and input pin currents, power must be removed monotonically from either VCC or VCCAUX (and must reach the power-down trip point of 0.5V for VCC, 0.95V for VCCAUX) before power is removed monotonically from VCC12, any of the VCCIOs, or VCCJ. Note that VCC12 can be removed at the same time as VCC, but it cannot be removed earlier. In many applications, VCC and VCC12 will be sourced from the same power supply and so will be removed together. For systems where disturbance of the user pins is a don't care condition, the power supplies can be removed in any order as long as they power down monotonically within 200ms of each other.

Additionally, if any banks have VCCIO=3.3V nominal (potentially banks 1, 4, 5) then VCCIO for those banks must not be lower than VCCAUX during power-down. The normal variation in ramp-up times of power supplies and voltage regulators is not a concern here.

Note: The SERDES power supplies are NOT included in these requirements and have no specific sequencing requirements. However, when using the SERDES with VDDIB or VDDOB that is greater than 1.2V (1.5V nominal for example), the SERDES should not be left in a steady state condition with the 1.5V power applied and the 1.2V power not applied. Both the 1.2V and 1.5V power should be applied to the SERDES at nominally the same time. The normal variation in the ramp-up times of power supplies and voltage regulators is not a concern here.

SERDES Power Supply Sequencing Requirements

When using the SERDES with 1.5V VDDIB or VDDOB supplies, the SERDES should not be left in a steady state condition with the 1.5V power applied and the 1.2V power not applied. Both the 1.2V and the 1.5V power should be applied to the SERDES at nominally the same time. The normal variation in ramp-up times of power supplies and voltage regulators is not a concern.

Additional Requirement for SERDES Power Supply

All VCC12 pins need to be connected on all devices independent of functionality used on the device. This analog supply is used by both the RX and TX portions of the SERDES and is used to control the core SERDES logic regardless of the SERDES being used in the design. VDDIB and VDDOB are used as supplies for the terminations on the CML input and output buffers. If a particular channel is not used, these can be UNCONNECTED (floating).

VDDAX25 needs to be connected independent of the use of the SERDES. This supply is used to control the SERDES CML I/O regardless of the SERDES being used in the design.

Supported Source Synchronous Interfaces

The LatticeSC devices contain a variety of hardware, such as delay elements, DDR registers and PLLs, to simplify the implementation of Source Synchronous interfaces. Table 2-11 lists Source Synchronous and DDR/QDR standards supported in the LatticeSC. For additional detail refer to technical information at the end of the data sheet.

Table 2-11. Source Synchronous Standards Table¹

| Source Synchronous Standard | Clocking | Speeds (MHz) | Data Rate (Mbps) |
|-------------------------------|------------|--------------|------------------|
| RapidIO | DDR | 500 | 1000 |
| SPI4.2 (POS-PHY4)/NPSI | DDR | 500 | 1000 |
| SFI4/XSBI | DDR SDR | 334 667 | 667 |
| XGMII | DDR | 156.25 | 312 |
| CSIX | SDR | 250 | 250 |
| QDRII/QDRII+ memory interface | DDR | 300 | 600 |
| DDR memory interface | DDR | 240 | 480 |
| DDRII memory interface | DDR | 333 | 667 |
| RLDRAM memory interface | DDR | 400 | 800 |

1. Memory width is dependent on the system design and limited by the number of I/Os in the device.

flexiPCS™ (Physical Coding Sublayer Block)

flexiPCS Functionality

The LatticeSC family combines a high-performance FPGA fabric, high-performance I/Os and large embedded RAM in a single industry leading architecture. LatticeSC devices also feature up to 32 channels of embedded SERDES with associated Physical Coding Sublayer (PCS) logic. The flexiPCS logic can be configured to support numerous industry standard high-speed data transfer protocols.

Each channel of flexiPCS logic contains dedicated transmit and receive SERDES for high-speed, full-duplex serial data transfers at data rates up to 3.8 Gbps. The PCS logic in each channel can be configured to support an array of popular data protocols including SONET (STS-12/STS-12c, STS-48/STS-48c, and TFI-5 support of 10 Gbps or above), Gigabit Ethernet (compliant to the IEEE 100BASE-X specification), 1.02 or 2.04 Gbps Fibre Channel, PCI-Express, and Serial RapidIO. In addition, the protocol based logic can be fully or partially bypassed in a number of configurations to allow users flexibility in designing their own high-speed data interface.

Protocols requiring data rates above 3.8 Gbps can be accommodated by dedicating either one pair or all four channels in one flexiPCS quad block to one data link. One quad can support full-duplex serial data transfers at data rates up to 15.2 Gbps. A single flexiPCS quad can be configured to support 10Gb Ethernet (with a fully compliant XAUI interface), 10Gb Fibre Channel, and x4 PCI-Express and 4x RapidIO.

The flexiPCS also provides bypass modes that allow a direct 8-bit or 10-bit interface from the SERDES to the FPGA logic which can also be geared to run at 1/2 speed for a 16-bit or 20-bit interface to the FPGA logic. Each SERDES pin can be DC coupled independently and can allow for both high-speed and low-speed operation down to DC rates on the same SERDES pin, as required by some Serial Digital Video applications.

The ispLEVER design tools from Lattice support all modes of the flexiPCS. Most modes are dedicated to applications associated with a specific industry standard data protocol. Other more general purpose modes allow a user to define their own operation. With ispLEVER, the user can define the mode for each quad in a design. Nine modes are currently supported by the ispLEVER design flow:

- 8-bit SERDES Only
- 10-bit SERDES Only
- SONET (STS-12/STS-48)
- Gigabit Ethernet
- Fibre Channel
- XAUI
- Serial RapidIO
- PCI-Express
- Generic 8b10b

flexiPCS Quad

The flexiPCS logic is arranged in quads containing logic for four independent full-duplex data channels. Each device in the LatticeSC family has up to eight quads of flexiPCS logic. The LatticeSC Family Selection Guide table on the first page of this data sheet contains the number of flexiPCS channels present on the chip. Note that in some packages (particularly lower pin count packages), not all channels from all quads on a given device may be bonded to package pins.

Each quad supports up to four channels of full-duplex data and can be programmed into any one of several protocol based modes. Each quad requires its own reference clock which can be sourced externally or from the FPGA logic. The user can utilize between one and four channels in a quad, depending on the application.

Figure 2-30 shows an example of four flexiPCS quads in a LatticeSC device. Quads are labeled according to the address of their software controlled registers.

Figure 2-30. LatticeSC flexiPCS



Since each quad has its own reference clock, different quads can support different standards on the same chip. This feature makes the LatticeSC family of devices ideal for bridging between different standards.

flexiPCS quads are not dedicated solely to industry standard protocols. Each quad (and each channel within a quad) can be programmed for many user defined data manipulation modes. For example, modes governing user-defined word alignment and multi-channel alignment can be programmed for non-standard protocol applications.

For more information on the functions and use of the flexiPCS, refer to the [LatticeSC/M Family flexiPCS Data Sheet](#).

System Bus

Each LatticeSC device connects the FPGA elements with a standardized bus framework referred to as a System Bus. Multiple bus masters optimize system performance by sharing resources between different bus masters such as the MPI and configuration logic. The wide data bus configuration of 32 bits with 4-bit parity supports high-bandwidth, data intensive applications.

There are two types of interfaces on the System Bus, master and slave. A master interface has the ability to perform actions on the bus, such as writes and reads to and from a specific address. A slave interface responds to the actions of a master by accepting data and address on a write and providing data on a read. The System Bus has a memory map which describes each of the slave peripherals that is connected on the bus. Using the addresses listed in the memory map, a master interface can access each of the slave peripherals on the System Bus. Any and all peripherals on the System Bus can be used at the same time. Table 2-12 list all of the available user peripherals on the System Bus after device power-up.

Table 2-12. System Bus User Peripherals

| Peripheral | Name | Interface Type |
|--|------|----------------|
| Micro Processor Interface | MPI | Master |
| User Master Interface | UMI | Master |
| User Slave Interface | USI | Slave |
| Serial Management Interface (PLL, DLL, User Logic) | SMI | Slave |
| Physical Coding Sublayer | PCS | Slave |
| Direct FPGA Access | DFA | Slave |

The peripherals listed in Table 2-12 can be added when the System Bus module is created using Module IP/Manager (ispLEVER Module/IP Manager).

Figure 2-31 also lists the existing peripherals on the System Bus. The gray boxes are available only during configuration. Refer to Lattice technical note TN1080, [LatticeSC sysCONFIG Usage Guide](#), for configuration options. The Status and Config box refers to internal System Bus registers. This document presents all the interfaces listed in Table 2-12 in detail to help the user utilize the desired functions of the System Bus.

Figure 2-31. LatticeSC System Bus Interfaces



Several interfaces exist between the System Bus and other FPGA elements. The MPI interface acts as a bridge between the external microprocessor bus and System Bus. The MPI may work in an independent clock domain from the System Bus if the System Bus clock is not sourced from the external microprocessor clock. Pipelined operation allows high-speed memory interface to the EBR and peripheral access without the requirement for additional cycles on the bus. Burst transfers allow optimal use of the memory interface by giving advance information of the nature of the transfers.

Details for the majority of the peripherals can be found in the associated technical documentation, see details at the end of this data sheet. Additional details of the MPI are provided below.

Microprocessor Interface (MPI)

The LatticeSC family devices have a dedicated synchronous MPI function block. The MPI is programmable to operate with PowerPC/PowerQUICC MPC860/MPC8260 series microprocessors. The MPI implements an 8-, 16-, or 32-bit interface with 1-bit, 2-bit, or 4-bit parity to the host processor (PowerPC) that can be used for configuration and read-back of the FPGA as well as for user-defined data processing and general monitoring of FPGA functions.

The control portion of the MPI is available following power-up of the FPGA if the mode pins specify MPI mode, even if the FPGA is not yet configured. The width of the data port is selectable among 8-, 16-, or 32-bit and the parity bus can be 1-, 2-, or 4-bit. In configuration mode the data and parity bus width are related to the state of the M[0:3] mode pins. For post-configuration use, the MPI must be included in the configuration bit stream by using an MPI library element in your design from the ispLEVER primitive library, or by setting the bit of the MPI configuration control register prior to the start of configuration. The user can also enable and disable the parity bus through the configuration bit stream. These pads can be used as general I/O when they are not needed for MPI use.

The MPI block also provides the capability to interface directly to the FPGA fabric with a databus after configuration. The bus protocol is still handled by the MPI block but the direct FPGA access allows high-speed block data transfers such as DMA transactions. Figure 2-32 shows one of the ways a PowerPC is connected to MPI.

Figure 2-32. PowerPCI and MPI Schematic



Configuration and Testing

The following section describes the configuration and testing features of the LatticeSC family of devices.

IEEE 1149.1-Compliant Boundary Scan Testability

All LatticeSC devices have boundary scan cells that are accessed through an IEEE 1149.1 compliant test access port (TAP). This allows functional testing of the circuit board, on which the device is mounted, through a serial scan path that can access all critical logic nodes. Internal registers are linked internally, allowing test data to be shifted in and loaded directly onto test nodes, or test data to be captured and shifted out for verification. The test access port consists of dedicated I/Os: TDI, TDO, TCK and TMS. The test access port has its own supply voltage V_{CCJ} and can operate with LVCMOS33, 25 and 18 standards. For additional detail refer to technical information at the end of the data sheet.

Device Configuration

All LatticeSC devices contain three possible ports that can be used for device configuration. The serial port, which supports bit-wide configuration, and the sysCONFIG port that supports both byte-wide and serial configuration. The MPI port supports 8-bit, 16-bit or 32-bit configuration.

The serial port supports both the IEEE Std. 1149.1 Boundary Scan specification and the IEEE Std. 1532 In-System Configuration specification. The sysCONFIG port is a 20-pin interface with six of the I/Os used as dedicated pins and the rest being dual-use pins. When sysCONFIG mode is not used, these dual-use pins are available for general purpose I/O. All I/Os for the sysCONFIG and MPI ports are in I/O bank #1.

On power-up, the FPGA SRAM is ready to be configured with the sysCONFIG port active. The IEEE 1149.1 serial mode can be activated any time after power-up by sending the appropriate command through the TAP port. Once a configuration port is selected, that port is locked and another configuration port cannot be activated until the next re-initialization sequence. For additional detail refer to technical information at the end of the data sheet.

Internal Logic Analyzer Capability (ispTRACY)

All LatticeSC devices support an internal logic analyzer diagnostic feature. The diagnostic features provide capabilities similar to an external logic analyzer, such as programmable event and trigger condition and deep trace memory. This feature is enabled by Lattice's ispTRACY. The ispTRACY utility is added into the user design at compile time. For additional detail refer to technical information at the end of the data sheet.

Temperature Sensing

Lattice provides a way to monitor the die temperature by using a temperature-sensing diode that is designed into every LatticeSC device. The difference in V_{BE} of the diode at two different forward currents varies with temperature. This relationship is shown in Figure 2-33. The accuracy of the temperature-sensing diode is typically $\pm 10^{\circ}\text{C}$.

On packages that include PROBE_GND, the most accurate measurements will occur between the TEMP pin and the PROBE_GND pin. On packages that do not include PROBE_GND, measurements should be made between the TEMP pin and board ground.

This temperature-sensing diode is designed to work with an external temperature sensor such as the Maxim 1617A. The Maxim 1617A is configured to measure difference in V_{BE} (of the temperature-sensing diode) at $10\mu\text{A}$ and at $100\mu\text{A}$. This difference in V_{BE} voltage varies with temperature at approximately $1.64\text{ mV}/^{\circ}\text{C}$. A typical device with a 85°C junction temperature will measure approximately 593mV . For additional detail refer to TN1115, [Temperature Sensing Diode in LatticeSC Devices](#).

Figure 2-33. Sensing Diode Typical Characteristics



Oscillator

Every LatticeSC device has an internal CMOS oscillator, which is used as a master serial clock for configuration and is also available as a potential general purpose clock (MCK) for the FPGA core. There is a K divider (divide by 2/4/8/16/32/64/128) available with this oscillator to get lower MCK frequencies. This clock is available as a general purpose clock signal to the software routing tool. For additional detail refer to technical information at the end of the data sheet.

Density Shifting

The LatticeSC family has been designed to ensure that different density devices in the same package have the same pin-out. Furthermore, the architecture ensures a high success rate when performing design migration from lower density parts to higher density parts. In many cases, it is also possible to shift a lower utilization design targeted for a high-density device to a lower density device. However, the exact details of the final resource utilization will impact the likely success in each case.

Absolute Maximum Ratings

| | |
|--|---------------|
| Supply Voltage V_{CC} , V_{CC12} , V_{DDIB} , V_{DDOB} | -0.5 to 1.6V |
| Supply Voltage V_{CCAUX} , V_{DDAX25} , V_{TT} | -0.5 to 2.75V |
| Supply Voltage V_{CCJ} | -0.5 to 3.6V |
| Supply Voltage V_{CCIO} (Banks 1, 4, 5) | -0.5 to 3.6V |
| Supply Voltage V_{CCIO} (Banks 2, 3, 6, 7) | -0.5 to 2.75V |
| Input or I/O Tristate Voltage Applied (Banks 1, 4, 5) | -0.5 to 3.6V |
| Input or I/O Tristate Voltage Applied (Banks 2, 3, 6, 7) | -0.5 to 2.75V |
| Storage Temperature (Ambient) | -65 to 150°C |
| Junction Temperature Under Bias (Tj) | +125°C |

Notes:

1. Stress above those listed under the “Absolute Maximum Ratings” may cause permanent damage to the device. Functional operation of the device at these or any other conditions above those indicated in the operational sections of this specification is not implied.
2. Compliance with the Lattice Thermal Management document is required.
3. All voltages referenced to GND.
4. Undershoot and overshoot of -2V to (VIHMAX +2) volts is permitted for a duration of <20ns.

Recommended Operating Conditions

| Symbol | Parameter | Min. | Max. | Units |
|----------------------|---|-------|-------------------|-------|
| V_{CC}^5 | Core Supply Voltage (Nominal 1.2V Operation) | 0.95 | 1.26 | V |
| V_{CCAUX}^6 | Programmable I/O Auxiliary Supply Voltage | 2.375 | 2.625 | V |
| $V_{CCIO}^{1,2,5,6}$ | Programmable I/O Driver Supply Voltage (Banks 1, 4, 5) | 1.14 | 3.45 | V |
| $V_{CCIO}^{1,2,5,6}$ | Programmable I/O Driver Supply Voltage (Banks 2, 3, 6, 7) | 1.14 | 2.625 | V |
| $V_{CC12}^{4,5}$ | Internal 1.2V Power Supply Voltage for Configuration Logic and FPGA PLL, SERDES PLL Power Supply Voltage and SERDES Analog Supply Voltage | 1.14 | 1.26 | V |
| V_{DDIB} | SERDES Input Buffer Supply Voltage | 1.14 | 1.575 | V |
| V_{DDOB} | SERDES Output Buffer Supply Voltage | 1.14 | 1.575 | V |
| V_{DDAX25} | SERDES Termination Auxiliary Supply Voltage | 2.375 | 2.625 | V |
| $V_{CCJ}^{1,5}$ | Supply Voltage for IEEE 1149.1 Test Access Port | 1.71 | 3.45 | V |
| $V_{TT}^{2,3}$ | Programmable I/O Termination Power Supply | 0.5 | $V_{CCAUX} - 0.5$ | V |
| t_{JCOM} | Junction Temperature, Commercial Operation | 0 | +85 | C |
| t_{JIND} | Junction Temperature, Industrial Operation | -40 | 105 | C |

1. If V_{CCIO} or V_{CCJ} is set to 2.5V, they must be connected to the same power supply as V_{CCAUX} .
2. See recommended voltages by I/O standard in subsequent table.
3. When V_{TT} termination is not required, or used to provide the common mode termination voltage (V_{CMT}), these pins can be left unconnected on the device.
4. V_{CC12} cannot be lower than V_{CC} at any time. For 1.2V operation, it is recommended that the V_{CC} and V_{CC12} supplies be tied together with proper noise decoupling between the digital V_{CC} and analog V_{CC12} supplies.
5. V_{CC} , V_{CCIO} (all banks), V_{CC12} and V_{CCJ} must reach their minimum values before configuration will proceed.
6. If V_{CCIO} for a bank is nominally 1.2V/1.5V/1.8V, then V_{CCAUX} must always be higher than V_{CCIO} during power up.

Power Supply Ramp Rates

| Symbol | Parameter | Condition | Min. | Typ. | Max | Units |
|-------------------|--|------------------------------------|------|------|-----|-------------|
| t_{RAMP} | Power supply ramp rates for all power supplies | Over process, voltage, temperature | 3.45 | — | — | mV/ μ s |
| | | | — | — | 75 | ms |

- See the Power-up and Power-Down requirements section for more details on power sequencing.
- From 0.5V to minimum operating voltage.

Hot Socketing Specifications¹

| Symbol | Parameter | Condition | Min. | Typ. | Max | Units |
|-------------------|--|--|------|------|------------|---------|
| I_{DK} | Programmable and dedicated Input or I/O leakage current ^{2, 3, 4, 5, 6} | $0 \leq V_{\text{IN}} \leq V_{\text{IH}} (\text{MAX})$ | — | — | ± 1500 | μ A |
| I_{HDIN} | SERDES average input current when device powered down and inputs driven ⁷ | | — | — | 4 | mA |

- See Hot Socket power up/down information in Chapter 2 of this document.
- Assumes monotonic rise/fall rates for all power supplies.
- Sensitive to power supply sequencing as described in hot socketing section.
- Assumes power supplies are between 0 and maximum recommended operations conditions.
- IDK is additive to I_{PU} , I_{PD} or I_{BH} .
- Represents DC conditions. For the first 20ns after hot insertion, current specification is 8 mA.
- Assumes that the device is powered down with all supplies grounded, both P and N inputs driven by a CML driver with maximum allowed VDDOB of 1.575V, 8b/10b data and internal AC coupling.

DC Electrical Characteristics⁵

Over Recommended Operating Conditions

| Symbol | Parameter | Condition | Min. ³ | Typ. | Max. | Units |
|----------------------------------|--|--|--|------|------------------------------|---------|
| $I_{\text{IL}}, I_{\text{IH}}^1$ | Input or I/O Low leakage | $0 \leq V_{\text{IN}} \leq V_{\text{IH}} (\text{MAX})$ | — | — | 10 | μ A |
| I_{PU} | I/O Active Pull-up Current | $0 \leq V_{\text{IN}} \leq 0.7 V_{\text{CCIO}}$ | -30 | — | -210 | μ A |
| I_{PD} | I/O Active Pull-down Current | $V_{\text{IL}} (\text{MAX}) \leq V_{\text{IN}} \leq V_{\text{IH}} (\text{MAX})$ | 30 | — | 210 | μ A |
| I_{BHLS} | Bus Hold Low Sustaining Current | $V_{\text{IN}} = V_{\text{IL}} (\text{MAX})$ | 30 | — | — | μ A |
| I_{BHHS} | Bus Hold High Sustaining Current | $V_{\text{IN}} = 0.7V_{\text{CCIO}}$ | -30 | — | — | μ A |
| I_{BHLO} | Bus Hold Low Overdrive Current | $0 \leq V_{\text{IN}} \leq V_{\text{IH}} (\text{MAX})$ | — | — | 210 | μ A |
| I_{BHLH} | Bus Hold High Overdrive Current | $0 \leq V_{\text{IN}} \leq V_{\text{IH}} (\text{MAX})$ | — | — | -210 | μ A |
| I_{CL} | PCI Low Clamp Current | $-3 < V_{\text{IN}} \leq -1$ | $-25 + (V_{\text{IN}} + 1)/0.015$ | — | — | mA |
| I_{CH} | PCI High Clamp Current | $V_{\text{CC}} + 4 > V_{\text{IN}} \geq V_{\text{CC}} + 1$ | $25 + (V_{\text{IN}} - V_{\text{CC}} - 1)/0.015$ | — | — | mA |
| V_{BHT} | Bus Hold trip Points | $0 \leq V_{\text{IN}} \leq V_{\text{IH}} (\text{MAX})$ | $V_{\text{IL}} (\text{MAX})$ | — | $V_{\text{IH}} (\text{MIN})$ | V |
| C1 | I/O Capacitance ² | $V_{\text{CCIO}} = 3.3\text{V}, 2.5\text{V}, 1.8\text{V}, 1.5\text{V}, 1.2\text{V}, V_{\text{CC}} = 1.2\text{V}, V_{\text{CCIP2}} = 1.2\text{V}, V_{\text{CCAUX}} = 2.5, V_{\text{IO}} = 0 \text{ to } V_{\text{IH}} (\text{MAX})$ | — | 8 | — | pf |
| C3 ² | Dedicated Input Capacitance ² | $V_{\text{CCIO}} = 3.3\text{V}, 2.5\text{V}, 1.8\text{V}, 1.5\text{V}, 1.2\text{V}, V_{\text{CC}} = 1.2\text{V}, V_{\text{CCIP2}} = 1.2\text{V}, V_{\text{CCAUX}} = 2.5, V_{\text{IO}} = 0 \text{ to } V_{\text{IH}} (\text{MAX})$ | — | 6 | — | pf |

- Input or I/O leakage current is measured with the pin configured as an input or as an I/O with the output driver tri-stated. It is not measured with the output driver active. Bus maintenance circuits are disabled.
- $T_{\text{A}} 25^{\circ}\text{C}$, $f = 1.0\text{MHz}$
- I_{PU} , I_{PD} , I_{BHLS} and I_{BHHS} have minimum values of 15 or $-15\mu\text{A}$ if V_{CCIO} is set to 1.2V nominal.
- This table does not apply to SERDES pins.
- For programmable I/Os.

Initialization and Standby Supply Current

The table below indicates initialization and standby supply current while operating at 85°C junction temperature (T_J), which is the high end of the commercial temperature range, and 105°C, which is the high end of the industrial temperature range. This data assumes all outputs are tri-stated and all inputs are configured as LVCMOS and held at V_{CCIO} or GND. The remaining SERDES supply current for V_{DDIB} and V_{DDOB} is detailed in the SERDES section of this data sheet. For power at your design temperature, it is recommended to use the Power Calculator tool which is accessible in ispLEVER or can be used as a standalone tool. For more information on supply current, see the reference to additional technical documentation available at the end of this data sheet.

Over Recommended Operating Conditions

| Symbol | Condition | Parameter | Device | 25°C | 85°C | | 105°C | Units | |
|--------------------------|---------------------|--|-----------|-------------------|-------------------|------|-------------------|-------|--|
| | | | | Typ. ¹ | Max. ² | | Max. ² | | |
| | | | | All | -5, -6 | -7 | -5, -6 | | |
| I_{CC} | (VCC = 1.2V +/- 5%) | Core Operating Power Supply Current | LFSC/M15 | 65 | 449 | 678 | 755 | mA | |
| | | | LFSC/M25 | 113 | 798 | 1255 | 1343 | mA | |
| | | | LFSC/M40 | 159 | 1178 | 2006 | 1981 | mA | |
| | | | LFSC/M80 | 276 | 2122 | 3827 | 3569 | mA | |
| | | | LFSC/M115 | 454 | 3376 | — | 5679 | mA | |
| | (VCC = 1.0V +/- 5%) | Core Operating Power Supply Current | LFSC/M15 | 45 | 312 | 471 | 524 | mA | |
| | | | LFSC/M25 | 79 | 554 | 872 | 933 | mA | |
| | | | LFSC/M40 | 110 | 818 | 1393 | 1375 | mA | |
| | | | LFSC/M80 | 191 | 1473 | 2658 | 2478 | mA | |
| | | | LFSC/M115 | 315 | 2344 | — | 3943 | mA | |
| I_{CC12} | | 1.2V Power Supply Current for Configuration Logic, FPGA PLL, SERDES PLL and SERDES Analog Supplies | LFSC/M15 | 23 | 39 | 59 | 35 | mA | |
| | | | LFSC/M25 | 25 | 50 | 78 | 56 | mA | |
| | | | LFSC/M40 | 31 | 78 | 133 | 89 | mA | |
| | | | LFSC/M80 | 50 | 108 | 195 | 123 | mA | |
| | | | LFSC/M115 | 65 | 131 | — | 154 | mA | |
| I_{CCAUX} | | Auxiliary Operating Power Supply Current | LFSC/M15 | 7 | 12 | 19 | 14 | mA | |
| | | | LFSC/M25 | 9 | 16 | 25 | 18 | mA | |
| | | | LFSC/M40 | 12 | 23 | 39 | 25 | mA | |
| | | | LFSC/M80 | 13 | 25 | 45 | 23 | mA | |
| | | | LFSC/M115 | 16 | 27 | — | 26 | mA | |
| I_{CCIO} and I_{CCJ} | | Bank Power Supply Current (per bank) | LFSC/M15 | 0.1 | 0.2 | 0.3 | 0.2 | mA | |
| | | | LFSC/M25 | 0.3 | 0.6 | 1.0 | 0.7 | mA | |
| | | | LFSC/M40 | 0.4 | 0.9 | 1.5 | 1.0 | mA | |
| | | | LFSC/M80 | 0.5 | 1.1 | 2.1 | 1.3 | mA | |
| | | | LFSC/M115 | 0.7 | 1.5 | — | 1.8 | mA | |

1. I_{CC} is specified at $T_J = 25^\circ\text{C}$ and typical V_{CC} .

2. I_{CC} is specified at the respective commercial and industrial maximum T_J and V_{CC} limits.

PURESPEED I/O Recommended Operating Conditions

| Standard | V _{CCIO} (V) | | | V _{REF} (V) | | |
|---|-----------------------|-------|-------|-----------------------|----------------------|-----------------------|
| | Min. | Typ. | Max. | Min. | Typ. | Max. |
| LVC MOS 33 | 3.135 | 3.3 | 3.465 | — | — | — |
| LVC MOS 25 | 2.375 | 2.5 | 2.625 | — | — | — |
| LVC MOS 18 | 1.71 | 1.8 | 1.89 | — | — | — |
| LVC MOS 15 | 1.425 | 1.5 | 1.575 | — | — | — |
| LVC MOS 12 | 1.14 | 1.2 | 1.26 | — | — | — |
| LV TTL | 3.135 | 3.3 | 3.465 | — | — | — |
| PCI33 | 3.135 | 3.3 | 3.465 | — | — | — |
| PCIX33 | 3.135 | 3.3 | 3.465 | — | — | — |
| PCIX15 | 1.425 | 1.5 | 1.575 | 0.49V _{CCIO} | 0.5V _{CCIO} | 0.51V _{CCIO} |
| AGP1X33 | 3.135 | 3.3 | 3.465 | — | — | — |
| AGP2X33 | 3.135 | 3.3 | 3.465 | 0.39V _{CCIO} | 0.4V _{CCIO} | 0.41V _{CCIO} |
| SSTL18_I, II ³ | 1.71 | 1.8 | 1.89 | 0.833 | 0.9 | 0.969 |
| SSTL25_I, II ³ | 2.375 | 2.5 | 2.625 | 1.15 | 1.25 | 1.35 |
| SSTL33_I, II ³ | 3.135 | 3.3 | 3.465 | 1.3 | 1.5 | 1.7 |
| HSTL15_I, II ³ | 1.425 | 1.5 | 1.575 | 0.68 | 0.75 | 0.9 |
| HSTL15_III ^{1,3} and IV ^{1,3} | 1.425 | 1.5 | 1.575 | 0.68 | 0.9 | 0.9 |
| HSTL 18_I ³ , II ³ | 1.71 | 1.8 | 1.89 | 0.816 | 0.9 | 1.08 |
| HSTL 18_III ^{1,3} , IV ^{1,3} | 1.71 | 1.8 | 1.89 | 0.816 | 1.08 | 1.08 |
| GTL12 ^{1,3} , GTLPLUS15 ^{1,3} | — | — | — | 0.882 | 1.0 | 1.122 |
| LVDS | — | — | — | — | — | — |
| Mini-LVDS | — | — | — | — | — | — |
| RSDS | — | — | — | — | — | — |
| LVPECL33 (outputs) ² | 3.135 | 3.3 | 3.465 | — | — | — |
| LVPECL33 (inputs) ^{2,4} | — | ≤ 2.5 | — | — | — | — |
| BLVDS25 ^{2,3} | 2.375 | 2.5 | 2.625 | — | — | — |
| MLVDS25 ^{2,3} | 2.375 | 2.5 | 2.625 | — | — | — |
| SSTL18D_I ³ , II ³ | 1.71 | 1.8 | 1.89 | — | — | — |
| SSTL25D_I ³ , II ³ | 2.375 | 2.5 | 2.625 | — | — | — |
| SSTL33D_I ³ , II ³ | 3.135 | 3.3 | 3.465 | — | — | — |
| HSTL15D_I ³ , II ³ | 1.425 | 1.5 | 1.575 | — | — | — |
| HSTL18D_I ³ , II ³ | 1.71 | 1.8 | 1.89 | — | — | — |

1. Input only.

2. Inputs on chip. Outputs are implemented with the addition of external resistors.

3. Input for this standard does not depend on the value of V_{CCIO}.

4. Inputs for this standard cannot be in 3.3V VCCIO banks (≤ 2.5V only).

PURESPEED I/O Single-Ended DC Electrical Characteristics

Over Recommended Operating Conditions

| Input/Output Standard | V_{IL} | | V_{IH} | | V_{OL} Max. (V) | V_{OH} Min. (V) | I_{OL} (mA) | I_{OH} (mA) |
|--|----------|-------------------|-------------------|----------|-------------------|-------------------|---------------|------------------|
| | Min. (V) | Max. (V) | Min. (V) | Max. (V) | | | | |
| LVC MOS 33 | -0.3 | 0.8 | 2 | 3.465 | 0.4 | 2.4 | 24, 16, 8 | -24, -16, -8 |
| | | | | | 0.2 | $V_{CCIO} - 0.2$ | 0.1 | -0.1 |
| LV TTL | -0.3 | 0.8 | 2 | 3.465 | 0.4 | 2.4 | 24, 16, 8 | -24, -16, -8 |
| | | | | | 0.2 | $V_{CCIO} - 0.2$ | 0.1 | -0.1 |
| LVC MOS 25 | -0.3 | 0.7 | 1.7 | 2.65 | 0.4 | $V_{CCIO} - 0.4$ | 16, 12, 8, 4 | -16, -12, -8, -4 |
| | | | | | 0.2 | $V_{CCIO} - 0.2$ | 0.1 | -0.1 |
| LVC MOS 18 | -0.3 | $0.35V_{CCIO}$ | $0.65V_{CCIO}$ | 2.65 | 0.4 | $V_{CCIO} - 0.4$ | 16, 12, 8, 4 | -16, -12, -8, -4 |
| | | | | | 0.2 | $V_{CCIO} - 0.2$ | 0.1 | -0.1 |
| LVC MOS 15 | -0.3 | $0.35V_{CCIO}$ | $0.65V_{CCIO}$ | 2.65 | 0.4 | $V_{CCIO} - 0.4$ | 16, 12, 8, 4 | -16, -12, -8, -4 |
| | | | | | 0.2 | $V_{CCIO} - 0.2$ | 0.1 | -0.1 |
| LVC MOS 12 | -0.3 | $0.35V_{CCIO}$ | $0.65V_{CCIO}$ | 2.65 | 0.3 | $V_{CCIO} - 0.3$ | 12, 8, 4, 2 | -12, -8, -4, -2 |
| | | | | | 0.2 | $V_{CCIO} - 0.2$ | 0.1 | -0.1 |
| PCIX15 | -0.3 | $0.3V_{CCIO}$ | $0.5V_{CCIO}$ | 1.5 | $0.1V_{CCIO}$ | $0.9V_{CCIO}$ | 1.5 | -0.5 |
| PCI33 | -0.3 | $0.3V_{CCIO}$ | $0.5V_{CCIO}$ | 3.465 | $0.1V_{CCIO}$ | $0.9V_{CCIO}$ | 1.5 | -0.5 |
| PCIX33 | -0.3 | $0.35V_{CCIO}$ | $0.5V_{CCIO}$ | 3.465 | $0.1V_{CCIO}$ | $0.9V_{CCIO}$ | 1.5 | -0.5 |
| AGP-1X, AGP-2X | -0.3 | $0.3V_{CCIO}$ | $0.5V_{CCIO}$ | 3.465 | $0.1V_{CCIO}$ | $0.9V_{CCIO}$ | 1.5 | -0.5 |
| SSTL3_I | -0.3 | $V_{REF} - 0.2$ | $V_{REF} + 0.2$ | 3.465 | 0.7 | $V_{CCIO} - 1.1$ | 8 | -8 |
| SSTS3_I OST ² | -0.3 | $V_{REF} - 0.2$ | $V_{REF} + 0.2$ | 3.465 | 0.9 | $V_{CCIO} - 1.3$ | 8 | -8 |
| SSTL3_II | -0.3 | $V_{REF} - 0.2$ | $V_{REF} + 0.2$ | 3.465 | 0.5 | $V_{CCIO} - 0.9$ | 16 | -16 |
| SSTL3_II OST ² | -0.3 | $V_{REF} - 0.2$ | $V_{REF} + 0.2$ | 3.465 | 0.9 | $V_{CCIO} - 0.13$ | 16 | -16 |
| SSTL2_I | -0.3 | $V_{REF} - 0.18$ | $V_{REF} + 0.18$ | 2.65 | 0.54 | $V_{CCIO} - 0.62$ | 7.6 | -7.6 |
| SSTL2_I OST ² | -0.3 | $V_{REF} - 0.18$ | $V_{REF} + 0.18$ | 2.65 | 0.73 | $V_{CCIO} - 0.81$ | 7.6 | -7.6 |
| SSTL2_II | -0.3 | $V_{REF} - 0.18$ | $V_{REF} + 0.18$ | 2.65 | 0.35 | $V_{CCIO} - 0.43$ | 15.2 | -15.2 |
| SSTL2_II OST ² | -0.3 | $V_{REF} - 0.18$ | $V_{REF} + 0.18$ | 2.65 | 0.73 | $V_{CCIO} - 0.81$ | 15.2 | -15.2 |
| SSTL18_I | -0.3 | $V_{REF} - 0.125$ | $V_{REF} + 0.125$ | 2.65 | 0.28 | $V_{CCIO} - 0.28$ | 13.4 | -13.4 |
| SSTL18_II | -0.3 | $V_{REF} - 0.125$ | $V_{REF} + 0.125$ | 2.65 | 0.28 | $V_{CCIO} - 0.28$ | 13.4 | -13.4 |
| HSTL15_I | -0.3 | $V_{REF} - 0.1$ | $V_{REF} + 0.1$ | 2.65 | 0.4 | $V_{CCIO} - 0.4$ | 8 | -8 |
| HSTL15_II | -0.3 | $V_{REF} - 0.1$ | $V_{REF} + 0.1$ | 2.65 | 0.4 | $V_{CCIO} - 0.4$ | 16 | -16 |
| HSTL15_III ¹ | -0.3 | $V_{REF} - 0.1$ | $V_{REF} + 0.1$ | 2.65 | N/A | N/A | N/A | N/A |
| HSTL15_IV ¹ | -0.3 | $V_{REF} - 0.1$ | $V_{REF} + 0.1$ | 2.65 | N/A | N/A | N/A | N/A |
| HSTL18_I | -0.3 | $V_{REF} - 0.1$ | $V_{REF} + 0.1$ | 2.65 | 0.4 | $V_{CCIO} - 0.4$ | 9.6 | -9.6 |
| HSTL18_II | -0.3 | $V_{REF} - 0.1$ | $V_{REF} + 0.1$ | 2.65 | 0.4 | $V_{CCIO} - 0.4$ | 19.2 | -19.2 |
| HSTL18_III ¹ | -0.3 | $V_{REF} - 0.1$ | $V_{REF} + 0.1$ | 2.65 | N/A | N/A | N/A | N/A |
| HSTL18_IV ¹ | -0.3 | $V_{REF} - 0.1$ | $V_{REF} + 0.1$ | 2.65 | N/A | N/A | N/A | N/A |
| GTL12 ¹ , GTLPLUS15 ¹ | -0.3 | $V_{REF} - 0.2$ | $V_{REF} + 0.2$ | N/A | N/A | N/A | N/A | N/A |

1. Input only.

2. Input with on-chip series termination.

PURESPEED I/O Differential Electrical Characteristics**LVDS****Over Recommended Operating Conditions**

| Parameter Symbol | Parameter Description | Test Conditions | Min. | Typ. | Max. | Units |
|--------------------|--|--------------------------------------|--------|------|-------|------------|
| V_{INP}, V_{INM} | Input voltage | | 0 | — | 2.4 | V |
| V_{THD} | Differential input threshold (Q-Q) | | +/-100 | — | — | mV |
| V_{CM} | Input common mode voltage | | 0.05 | 1.2 | 2.35 | V |
| I_{IN} | Input current | Power on or power off | — | — | +/-10 | μ A |
| V_{OH} | Output high voltage for V_{OP} or V_{OM} | $R_T = 100$ Ohm | — | 1.38 | 1.60 | V |
| V_{OL} | Output low voltage for V_{OP} or V_{OM} | $R_T = 100$ Ohm | 0.9V | 1.03 | — | V |
| V_{OD} | Output voltage differential | $(V_{OP} - V_{OM}), R_T = 100$ Ohm | 250 | 350 | 450 | mV |
| ΔV_{OD} | Change in V_{OD} between high and low | | — | — | 50 | mV |
| V_{OS} | Output voltage offset | $(V_{OP} - V_{OM})/2, R_T = 100$ Ohm | 1.125 | 1.20 | 1.375 | V |
| ΔV_{OS} | Change in V_{OS} between H and L | | — | — | 50 | mV |
| I_{SAB} | Output short circuit current | $V_{OD} = 0V$ Driver outputs shorted | — | — | 12 | mA |
| T_R, T_F | Output rise and fall times, 20% to 80% | — | — | 500 | ps | T_R, T_F |

Notes:

1. Data is for 3.5mA differential current drive. Other differential driver current options are available.
2. If the low power mode of the input buffer is used, the minimum V_{CM} is 600 mV.

Mini-LVDS**Over Recommended Operating Conditions**

| Parameter Symbol | Description | Min. | Typ. | Max. | Units |
|------------------|---|-------------------|------|-------------------|-------|
| Z_O | Single-ended PCB trace impedance | 30 | 50 | 75 | ohms |
| R_T | Differential termination resistance | 60 | 100 | 150 | ohms |
| V_{OD} | Output voltage, differential, $ V_{OP} - V_{OM} $ | 300 | — | 600 | mV |
| V_{OS} | Output voltage, common mode, $ V_{OP} + V_{OM} /2$ | 1 | 1.2 | 1.4 | V |
| ΔV_{OD} | Change in V_{OD} , between H and L | — | — | 50 | mV |
| ΔV_{ID} | Change in V_{OS} , between H and L | — | — | 50 | mV |
| V_{THD} | Input voltage, differential, $ V_{INP} - V_{INM} $ | 200 | — | 600 | mV |
| V_{CM} | Input voltage, common mode, $ V_{INP} + V_{INM} /2$ | $0.3+(V_{THD}/2)$ | — | $2.1-(V_{THD}/2)$ | |
| T_R, T_F | Output rise and fall times, 20% to 80% | — | — | 500 | ps |
| T_{ODUTY} | Output clock duty cycle | 45 | — | 55 | % |
| T_{IDUTY} | Input clock duty cycle | 40 | — | 60 | % |

Note: Data is for 6mA differential current drive. Other differential driver current options are available.

RSDS**Over Recommended Operating Conditions**

| Parameter Symbol | Description | Min. | Typ. | Max. | Units |
|------------------|--|------|------|------|-------|
| V_{OD} | Output voltage, differential, $R_T = 100$ ohms | 100 | 200 | 600 | mV |
| V_{OS} | Output voltage, common mode | 0.5 | 1.2 | 1.5 | V |
| I_{RSDS} | Differential driver output current | 1 | 2 | 6 | mA |
| V_{THD} | Input voltage differential | 100 | — | — | mV |
| V_{CM} | Input common mode voltage | 0.3 | — | 1.5 | V |
| T_R, T_F | Output rise and fall times, 20% to 80% | — | 500 | — | ps |
| T_{ODUTY} | Output clock duty cycle | 45 | 50 | 55 | % |

Note: Data is for 2mA drive. Other differential driver current options are available.

Differential HSTL and SSTL

Differential HSTL and SSTL outputs are implemented as a pair of complementary single-ended outputs. All allowable single-ended output classes (class I and class II) are supported in this mode.

MLVDS

The LatticeSC devices support the MLVDS standard. This industry standard is emulated using controlled impedance complementary LVCMOS outputs in conjunction with a parallel external resistor across the driver outputs. MLVDS is intended for use when multi-drop and bi-directional multi-point differential signaling is required. The scheme shown in Figure 3-1 is one possible solution for bi-directional multi-point differential signals.

Figure 3-1. MLVDS Multi-Point Output Example



Table 3-1. MLVDS DC Conditions¹

Over Recommended Operating Conditions

| Symbol | Description | Nominal | | Units |
|---------------------|-----------------------------|---------|---------|-------|
| | | Zo = 50 | Zo = 70 | |
| Z _{OUT} | Output impedance | 50 | 50 | ohm |
| R _{TLEFT} | Left end termination | 50 | 70 | ohm |
| R _{TRIGHT} | Right end termination | 50 | 70 | ohm |
| V _{OH} | Output high voltage | 1.50 | 1.575 | V |
| V _{OL} | Output low voltage | 1.00 | 0.925 | V |
| V _{OD} | Output differential voltage | 0.50 | 0.65 | V |
| V _{CM} | Output common mode voltage | 1.25 | 1.25 | V |
| I _{DC} | DC output current | 20.0 | 18.5 | mA |

1. For input buffer, see LVDS table.

BLVDS

The LatticeSC devices support BLVDS standard. This standard is emulated using controlled impedance complementary LVCMOS outputs in conjunction with a parallel external resistor across the driver outputs. BLVDS is intended for use when multi-drop and bi-directional multi-point differential signaling is required. The scheme shown in Figure 3-2 is one possible solution for bi-directional multi-point differential signals.

Figure 3-2. BLVDS Multi-point Output Example

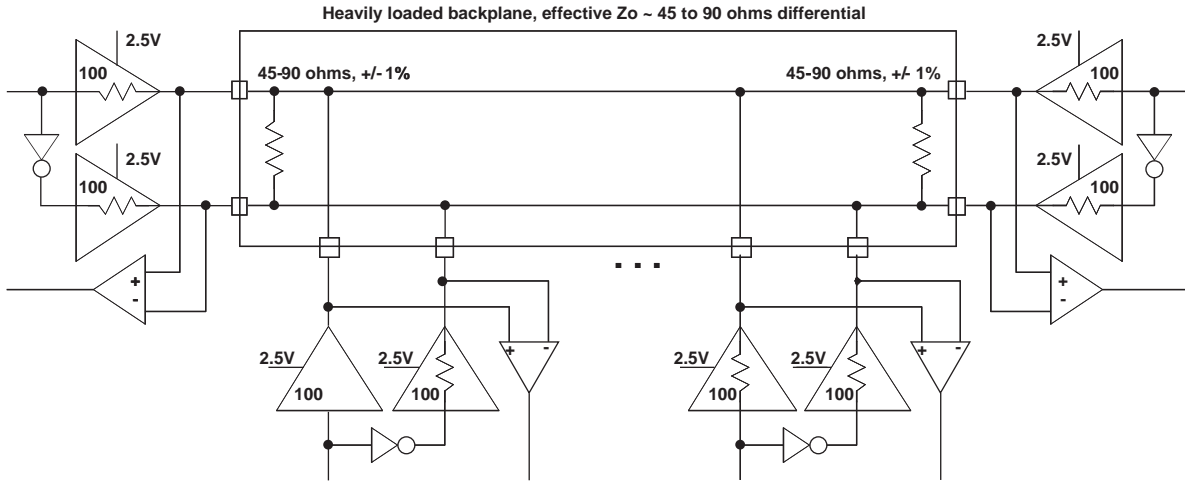


Table 3-2. BLVDS DC Conditions¹

Over Recommended Operating Conditions

| Symbol | Description | Nominal | | Units |
|---------------------|-----------------------------|---------|---------|-------|
| | | Zo = 45 | Zo = 90 | |
| Z _{OUT} | Output impedance | 100 | 100 | ohm |
| R _{TLEFT} | Left end termination | 45 | 90 | ohm |
| R _{TRIGHT} | Right end termination | 45 | 90 | ohm |
| V _{OH} | Output high voltage | 1.375 | 1.48 | V |
| V _{OL} | Output low voltage | 1.125 | 1.02 | V |
| V _{OD} | Output differential voltage | 0.25 | 0.46 | V |
| V _{CM} | Output common mode voltage | 1.25 | 1.25 | V |
| I _{DC} | DC output current | 11.2 | 10.2 | mA |

1. For input buffer, see LVDS table.

LVPECL

The LatticeSC devices support differential LVPECL standard. This standard is emulated using controlled impedance complementary LVCMOS outputs in conjunction with a parallel resistor across the driver outputs. The scheme shown in Figure 3-3 is one possible solution for point-to-point signals.

Figure 3-3. Differential LVPECL

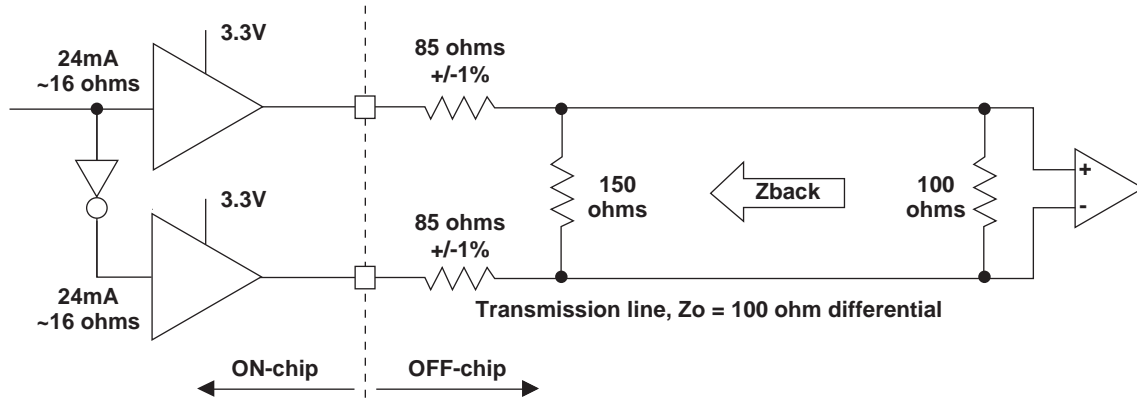


Table 3-3. LVPECL DC Conditions¹

Over Recommended Operating Conditions

| Symbol | Description | Nominal | Units |
|------------|-----------------------------|---------|-------|
| Z_{OUT} | Output impedance | 16 | ohm |
| R_S | Driver series resistor | 85 | ohm |
| R_P | Driver parallel resistor | 150 | ohm |
| R_T | Receiver termination | 100 | ohm |
| V_{OH} | Output high voltage | 2.03 | V |
| V_{OL} | Output low voltage | 1.27 | V |
| V_{OD} | Output differential voltage | 0.76 | V |
| V_{CM} | Output common mode voltage | 1.65 | V |
| Z_{BACK} | Back impedance | 86 | ohm |
| I_{DC} | DC output current | 12.6 | mA |

1. For input buffer, see LVDS table.

For further information on LVPECL, BLVDS, MLVDS and other differential interfaces please see details of additional technical documentation at the end of this data sheet.

On-die Differential Common Mode Termination

| Symbol | Description | Min. | Typ. | Max. | Units |
|-----------|------------------------------|------|------|------|-------|
| C_{CMT} | Capacitance V_{CMT} to GND | — | 40 | — | pF |

Typical Building Block Function Performance

Over Recommended Commercial Operating Conditions at VCC = 1.2V +/- 5%

Pin to Pin Performance (LVCMOS25 12 mA Drive)

| Function | -7* | Units |
|--|------|-------|
| Basic Functions | | |
| 32-bit Decoder | 6.65 | ns |
| Combinatorial (Pin to LUT to Pin) | 5.58 | ns |
| Embedded Memory Functions (Single Port RAM) | | |
| Pin to EBR Input Register Setup (Global Clock) | 1.66 | ns |
| EBR Output Clock to Pin (Global Clock) | 8.54 | ns |
| Distributed (PFU) RAM (Single Port RAM) | | |
| Pin to PFU RAM Register Setup (Global Clock) | 1.32 | ns |
| PFU RAM Clock to Pin (Global Clock) | 6.83 | ns |

*Typical performance per function

Register-to-Register Performance

| Function | -7* | Units |
|---|------|-------|
| Basic Functions | | |
| 32-Bit Decoder | 539 | MHz |
| 64-Bit Decoder | 517 | MHz |
| 16:1 MUX | 1003 | MHz |
| 32:1 MUX | 798 | MHz |
| 16-Bit Adder | 672 | MHz |
| 64-Bit Adder | 353 | MHz |
| 16-Bit Counter | 719 | MHz |
| 64-Bit Counter | 369 | MHz |
| 32x8 SP RAM (PFU, Output Registered) | 768 | MHz |
| 128x8 SP RAM (PFU, Output Registered) | 545 | MHz |
| Embedded Memory Functions | | |
| Single Port RAM (512x36 Bits) | 372 | MHz |
| True Dual Port RAM 1024x18 Bits (No EBR Out Reg) | 326 | MHz |
| True dual port RAM 1024x18 Bits (EBR Reg) | 372 | MHz |
| FIFO port (A: x36 bits, B: x9 Bits, No EBR Out Reg) | 353 | MHz |
| FIFO port (A: x36 bits, B: x9 Bits, EBR Reg) | 375 | MHz |
| True DP RAM Width Cascading (1024x72) | 372 | MHz |
| DSP Functions | | |
| 9x9 1-stage Multiplier | 209 | MHz |
| 18x18 1-Stage Multiplier | 155 | MHz |
| 9x9 3-Stage Pipelined Multiplier | 373 | MHz |
| 18x18 4-Stage Pipelined Multiplier | 314 | MHz |
| 9x9 Constant Multiplier | 372 | MHz |

*Typical performance per function

Switching Characteristics

All devices are 100% functionally tested. Listed below are representative values of internal and external timing parameters. For more specific, more precise, and worst-case guaranteed data at a particular temperature and voltage, use the values reported by the static timing analyzer in the ispLEVER design tool from Lattice and back-annotate to the simulation net list.

LatticeSC/M External Switching Characteristics³

Over Recommended Commercial Operating Conditions at VCC = 1.2V +/- 5%

| Parameter | Description | -7 | | -6 | | -5 | | Units |
|---|---|-------|------|-------|------|-------|------|-------|
| | | Min. | Max. | Min. | Max. | Min. | Max. | |
| General I/O Pin Parameters (using Primary Clock without PLL)² | | | | | | | | |
| t _{CO} | Global Clock Input to Output - PIO Output Register | 2.83 | 5.74 | 2.83 | 6.11 | 2.83 | 6.49 | ns |
| t _{SU} | Global Clock Input Setup - PIO Input Register without fixed input delay | -0.66 | — | -0.66 | — | -0.66 | — | ns |
| t _H | Global Clock Input Hold - PIO Input Register without fixed input delay | 1.73 | — | 1.95 | — | 2.16 | — | ns |
| t _{SU_IDLY} | Global Clock Input Setup - PIO Input Register with input delay | 0.86 | — | 1.03 | — | 1.20 | — | ns |
| t _{H_IDLY} | Global Clock Input Hold - PIO Input Register with input delay | -0.17 | — | -0.17 | — | -0.17 | — | ns |
| f _{MAX_PFU} | Global Clock frequency of PFU register | — | 700 | — | 700 | — | 700 | MHz |
| f _{MAX_IO} | Global Clock frequency of I/O register | — | 1000 | — | 1000 | — | 1000 | MHz |
| t _{GC_SKEW} | Global Clock skew | — | 89 | — | 103 | — | 116 | ps |
| General I/O Pin Parameters (using Primary Clock with PLL)^{1, 2} | | | | | | | | |
| t _{CO} | Global Clock Input to Output - PIO Output Register | 2.25 | 4.81 | 2.25 | 5.08 | 2.25 | 5.37 | ns |
| t _{SU} | Global Clock Input Setup - PIO Input Register without fixed input delay | -0.07 | — | -0.07 | — | -0.07 | — | ns |
| t _H | Global Clock Input Hold - PIO Input Register without fixed input delay | 0.80 | — | 0.93 | — | 1.04 | — | ns |
| General I/O Pin Parameters (using Edge Clock without PLL)² | | | | | | | | |
| t _{CO} | Edge Clock Input to Output - PIO Output Register | 2.38 | 4.77 | 2.38 | 5.04 | 2.38 | 5.33 | ns |
| t _{SU} | Edge Clock Input Setup - PIO Input Register without fixed input delay | -0.08 | — | -0.08 | — | -0.08 | — | ns |
| t _H | Edge Clock Input Hold - PIO Input Register | 0.49 | — | 0.58 | — | 0.66 | — | ns |
| t _{SU_IDLY} | Edge Clock Input Setup - PIO Input Register with input delay | 0.81 | — | 0.97 | — | 1.12 | — | ns |
| t _{H_IDLY} | Edge Clock Input Hold - PIO Input Register with input delay | -0.34 | — | -0.34 | — | -0.34 | — | ns |
| t _{EC_SKEW} | Edge Clock skew | — | 28 | — | 32 | — | 36 | ps |
| General I/O Pin Parameters (using Latch FF without PLL)² | | | | | | | | |
| t _{SU} | Latch FF, Input Setup - PIO Input Register without fixed input delay | -0.14 | — | -0.14 | — | -0.14 | — | ns |
| t _H | Latch FF, Input Hold - PIO Input Register without fixed input delay | 0.58 | — | 0.68 | — | 0.77 | — | ns |
| t _{SU_IDLY} | Latch FF, Input Setup - PIO Input Register with input delay | 0.70 | — | 0.68 | — | 0.77 | — | ns |
| t _{H_IDLY} | Latch FF, Input Hold - PIO Input Register with input delay | -0.30 | — | -0.30 | — | -0.30 | — | ns |

1. No PLL delay tuning (clock injection removal mode, system clock feedback).
 2. Using LVCMOS25 12mA I/O. Timing adders for other supported I/O technologies are specified in the LatticeSC Family Timing Adders table.
 3. Complete Timing Parameters for a user design are incorporated when running ispLEVER. This is a sampling of the key timing parameters. Timing specs are for non-AIL applications.

LatticeSC/M Family Timing Adders

Over Recommended Operating Conditions at VCC = 1.2V +/- 5%

| Buffer Type | Description | -7 | | -6 | | -5 | | Units |
|------------------------|-------------------------------|--------|--------|--------|--------|--------|--------|-------|
| | | Min. | Max. | Min. | Max. | Min. | Max. | |
| Input Adjusters | | | | | | | | |
| LVDS | LVDS | -0.031 | -0.031 | -0.011 | -0.011 | 0.009 | 0.009 | ns |
| RSDS | RSDS | -0.031 | -0.031 | -0.011 | -0.011 | 0.009 | 0.009 | ns |
| BLVDS25 | BLVDS | -0.031 | -0.031 | -0.011 | -0.011 | 0.009 | 0.009 | ns |
| MLVDS25 | MLVDS | -0.031 | -0.031 | -0.011 | -0.011 | 0.009 | 0.009 | ns |
| LVPECL33 | LVPECL | -0.031 | -0.031 | -0.011 | -0.011 | 0.009 | 0.009 | ns |
| HSTL18_I | HSTL_18 class I | -0.013 | -0.015 | 0.015 | 0.007 | 0.042 | 0.029 | ns |
| HSTL18_II | HSTL_18 class II | -0.013 | -0.015 | 0.015 | 0.007 | 0.042 | 0.029 | ns |
| HSTL18_III | HSTL_18 class III | -0.016 | -0.018 | 0.008 | 0.003 | 0.032 | 0.023 | ns |
| HSTL18_IV | HSTL_18 class IV | -0.016 | -0.018 | 0.008 | 0.003 | 0.032 | 0.023 | ns |
| HSTL18D_I | Differential HSTL 18 class I | 0.006 | 0.001 | 0.029 | 0.024 | 0.052 | 0.046 | ns |
| HSTL18D_II | Differential HSTL 18 class II | 0.006 | 0.001 | 0.029 | 0.024 | 0.052 | 0.046 | ns |
| HSTL15_I | HSTL_15 class I | -0.005 | -0.016 | 0.026 | -0.001 | 0.057 | 0.014 | ns |
| HSTL15_II | HSTL_15 class II | -0.005 | -0.016 | 0.026 | -0.001 | 0.057 | 0.014 | ns |
| HSTL15_III | HSTL_15 class III | -0.013 | -0.015 | 0.015 | 0.007 | 0.042 | 0.029 | ns |
| HSTL15_IV | HSTL_15 class IV | -0.013 | -0.015 | 0.015 | 0.007 | 0.042 | 0.029 | ns |
| HSTL15D_I | Differential HSTL 15 class I | -0.021 | -0.022 | 0.001 | -0.009 | 0.022 | 0.003 | ns |
| HSTL15D_II | Differential HSTL 15 class II | -0.021 | -0.022 | 0.001 | -0.009 | 0.022 | 0.003 | ns |
| SSTL33_I | SSTL_3 class I | -0.036 | -0.061 | -0.181 | -0.313 | -0.326 | -0.565 | ns |
| SSTL33_II | SSTL_3 class II | -0.036 | -0.061 | -0.181 | -0.313 | -0.326 | -0.565 | ns |
| SSTL33D_I | Differential SSTL_3 class I | 0.012 | 0.012 | 0.034 | 0.028 | 0.055 | 0.043 | ns |
| SSTL33D_II | Differential SSTL_3 class II | 0.012 | 0.012 | 0.034 | 0.028 | 0.055 | 0.043 | ns |
| SSTL25_I | SSTL_2 class I | 0.003 | -0.008 | 0.03 | 0.011 | 0.058 | 0.03 | ns |
| SSTL25_II | SSTL_2 class II | 0.003 | -0.008 | 0.03 | 0.011 | 0.058 | 0.03 | ns |
| SSTL25D_I | Differential SSTL_2 class I | 0.006 | 0 | 0.031 | 0.023 | 0.056 | 0.046 | ns |
| SSTL25D_II | Differential SSTL_2 class II | 0.006 | 0 | 0.031 | 0.023 | 0.056 | 0.046 | ns |
| SSTL18_I | SSTL_18 class I | -0.013 | -0.015 | 0.015 | 0.007 | 0.042 | 0.029 | ns |
| SSTL18_II | SSTL_18 class II | -0.013 | -0.015 | 0.015 | 0.007 | 0.042 | 0.029 | ns |
| SSTL18D_I | Differential SSTL_18 class I | 0.006 | 0.001 | 0.029 | 0.024 | 0.052 | 0.046 | ns |
| SSTL18D_II | Differential SSTL_18 class II | 0.006 | 0.001 | 0.029 | 0.024 | 0.052 | 0.046 | ns |
| LVTTTL33 | LVTTTL | 0.034 | 0.034 | -0.05 | -0.05 | -0.134 | -0.134 | ns |
| LVC MOS33 | LVC MOS 3.3 | 0.034 | 0.034 | -0.05 | -0.05 | -0.134 | -0.134 | ns |
| LVC MOS25 | LVC MOS 2.5 | 0 | 0 | 0 | 0 | 0 | 0 | ns |
| LVC MOS18 | LVC MOS 1.8 | -0.068 | -0.068 | -0.087 | -0.087 | -0.105 | -0.105 | ns |
| LVC MOS15 | LVC MOS 1.5 | -0.131 | -0.131 | -0.186 | -0.186 | -0.241 | -0.241 | ns |
| LVC MOS12 | LVC MOS 1.2 | -0.238 | -0.238 | -0.364 | -0.364 | -0.49 | -0.49 | ns |
| PCI33 | PCI | 0.034 | 0.034 | -0.05 | -0.05 | -0.134 | -0.134 | ns |
| PCIX33 | PCI-X 3.3 | 0.034 | 0.034 | -0.05 | -0.05 | -0.134 | -0.134 | ns |
| PCIX15 | PCI-X 1.5 | -0.005 | -0.016 | 0.026 | -0.001 | 0.057 | 0.014 | ns |
| AGP1X33 | AGP-1X 3.3 | 0.034 | 0.034 | -0.05 | -0.05 | -0.134 | -0.134 | ns |
| AGP2X33 | AGP-2X | -0.036 | -0.061 | -0.181 | -0.313 | -0.326 | -0.565 | ns |

LatticeSC/M Family Timing Adders (Continued)

Over Recommended Operating Conditions at VCC = 1.2V +/- 5%

| Buffer Type | Description | -7 | | -6 | | -5 | | Units |
|-------------------------|-------------------------------|--------|--------|--------|--------|--------|--------|-------|
| | | Min. | Max. | Min. | Max. | Min. | Max. | |
| GTLPLUS15 | GTLPLUS15 | -0.013 | -0.017 | 0.012 | 0.004 | 0.037 | 0.024 | ns |
| GTL12 | GTL12 | -0.063 | -0.071 | -0.007 | -0.048 | 0.056 | -0.032 | ns |
| Output Adjusters | | | | | | | | |
| LVDS | LVDS | 0.708 | 0.854 | 0.856 | 1.021 | 1.005 | 1.189 | ns |
| RSDS | RSDS | 0.708 | 0.854 | 0.856 | 1.021 | 1.005 | 1.189 | ns |
| BLVDS25 | BLVDS | -0.129 | 0.05 | -0.136 | 0.069 | -0.136 | 0.083 | ns |
| MLVDS25 | MLVDS | -0.059 | 0.059 | -0.057 | 0.096 | -0.054 | 0.133 | ns |
| LVPECL33 | LVPECL | -0.334 | -0.181 | -0.325 | -1.389 | -0.315 | -2.598 | ns |
| HSTL18_I | HSTL_18 class I | 0.132 | 0.209 | 0.153 | 0.24 | 0.175 | 0.272 | ns |
| HSTL18_II | HSTL_18 class II | 0.24 | 0.176 | 0.268 | 0.255 | 0.298 | 0.333 | ns |
| HSTL18D_I | Differential HSTL 18 class I | 0.132 | 0.209 | 0.153 | 0.24 | 0.175 | 0.272 | ns |
| HSTL18D_II | Differential HSTL 18 class II | 0.24 | 0.176 | 0.268 | 0.255 | 0.298 | 0.333 | ns |
| HSTL15_I | HSTL_15 class I | 0.096 | 0.172 | 0.112 | 0.198 | 0.129 | 0.224 | ns |
| HSTL15_II | HSTL_15 class II | 0.208 | 0.131 | 0.233 | 0.203 | 0.259 | 0.275 | ns |
| HSTL15D_I | Differential HSTL 15 class I | 0.096 | 0.172 | 0.112 | 0.198 | 0.129 | 0.224 | ns |
| HSTL15D_II | Differential HSTL 15 class II | 0.208 | 0.131 | 0.233 | 0.203 | 0.259 | 0.275 | ns |
| SSTL33_I | SSTL_3 class I | 0.133 | 0.177 | 0.11 | 0.166 | 0.088 | 0.154 | ns |
| SSTL33_II | SSTL_3 class II | 0.173 | 0.247 | 0.164 | 0.253 | 0.156 | 0.258 | ns |
| SSTL33D_I | Differential SSTL_3 class I | 0.133 | 0.177 | 0.11 | 0.166 | 0.088 | 0.154 | ns |
| SSTL33D_II | Differential SSTL_3 class II | 0.173 | 0.247 | 0.164 | 0.253 | 0.156 | 0.258 | ns |
| SSTL25_I | SSTL_2 class I | 0.215 | 0.125 | 0.239 | 0.228 | 0.264 | 0.331 | ns |
| SSTL25_II | SSTL_2 class II | 0.277 | 0.181 | 0.311 | 0.284 | 0.345 | 0.387 | ns |
| SSTL25D_I | Differential SSTL_2 class I | 0.215 | 0.125 | 0.239 | 0.228 | 0.264 | 0.331 | ns |
| SSTL25D_II | Differential SSTL_2 class II | 0.277 | 0.181 | 0.311 | 0.284 | 0.345 | 0.387 | ns |
| SSTL18_I | SSTL_2 class I | 0.16 | 0.081 | 0.179 | 0.173 | 0.199 | 0.265 | ns |
| SSTL18_II | SSTL_2 class II | 0.238 | 0.15 | 0.263 | 0.244 | 0.295 | 0.338 | ns |
| SSTL18D_I | Differential SSTL_2 class I | 0.16 | 0.081 | 0.179 | 0.173 | 0.199 | 0.265 | ns |
| SSTL18D_II | Differential SSTL_2 class II | 0.238 | 0.15 | 0.263 | 0.244 | 0.295 | 0.338 | ns |
| LVTTTL33_8mA | LVTTTL 8mA drive | -0.346 | -0.165 | -0.496 | -0.296 | -0.646 | -0.428 | ns |
| LVTTTL33_16mA | LVTTTL 16mA drive | -0.11 | -0.18 | -0.218 | -0.32 | -0.325 | -0.46 | ns |
| LVTTTL33_24mA | LVTTTL 24mA drive | -0.012 | -0.18 | -0.099 | -0.321 | -0.185 | -0.463 | ns |
| LVC MOS33_8mA | LVC MOS 3.3 8mA drive | -0.346 | -0.165 | -0.496 | -0.296 | -0.646 | -0.428 | ns |
| LVC MOS33_16mA | LVC MOS 3.3 16mA drive | -0.11 | -0.18 | -0.218 | -0.32 | -0.325 | -0.46 | ns |
| LVC MOS33_24mA | LVC MOS 3.3 24mA drive | -0.012 | -0.18 | -0.099 | -0.321 | -0.185 | -0.463 | ns |
| LVC MOS25_4mA | LVC MOS 2.5 4mA drive | -0.174 | 0.004 | -0.195 | 0.002 | -0.215 | 0 | ns |
| LVC MOS25_8mA | LVC MOS 2.5 8mA drive | 0 | 0 | 0 | 0 | 0 | 0 | ns |
| LVC MOS25_12mA | LVC MOS 2.5 12mA drive | 0.094 | -0.025 | 0.107 | 0.096 | 0.12 | 0.216 | ns |
| LVC MOS25_16mA | LVC MOS 2.5 16mA drive | 0.145 | -0.054 | 0.162 | 0.063 | 0.181 | 0.179 | ns |
| LVC MOS25_OD | LVC MOS 2.5 open drain | 0.073 | -0.125 | 0.081 | -0.081 | 0.091 | -0.09 | ns |
| LVC MOS18_4mA | LVC MOS 1.8 4mA drive | -0.278 | -0.099 | -0.312 | -0.115 | -0.345 | -0.131 | ns |
| LVC MOS18_8mA | LVC MOS 1.8 8mA drive | -0.073 | -0.078 | -0.078 | -0.084 | -0.083 | -0.089 | ns |

LatticeSC/M Family Timing Adders (Continued)

Over Recommended Operating Conditions at VCC = 1.2V +/- 5%

| Buffer Type | Description | -7 | | -6 | | -5 | | Units |
|----------------|------------------------|--------|--------|--------|--------|--------|--------|-------|
| | | Min. | Max. | Min. | Max. | Min. | Max. | |
| LVC MOS18_12mA | LVC MOS 1.8 12mA drive | 0.024 | -0.106 | 0.019 | -0.004 | 0.016 | 0.099 | ns |
| LVC MOS18_16mA | LVC MOS 1.8 16mA drive | 0.074 | -0.134 | 0.08 | -0.022 | 0.088 | 0.089 | ns |
| LVC MOS18_OD | LVC MOS 1.8 open drain | 0.002 | -0.206 | 0 | -0.196 | -0.002 | -0.221 | ns |
| LVC MOS15_4mA | LVC MOS 1.5 4mA drive | -0.344 | -0.164 | -0.379 | -0.186 | -0.412 | -0.209 | ns |
| LVC MOS15_8mA | LVC MOS 1.5 8mA drive | -0.125 | -0.137 | -0.145 | -0.157 | -0.164 | -0.176 | ns |
| LVC MOS15_12mA | LVC MOS 1.5 12mA drive | -0.027 | -0.166 | -0.043 | -0.07 | -0.059 | 0.026 | ns |
| LVC MOS15_16mA | LVC MOS 1.5 16mA drive | 0.025 | -0.195 | 0.013 | -0.089 | 0.003 | 0.017 | ns |
| LVC MOS15_OD | LVC MOS 1.5 open drain | -0.047 | -0.267 | -0.067 | -0.267 | -0.087 | -0.299 | ns |
| LVC MOS12_2mA | LVC MOS 1.2 2mA drive | -0.473 | -0.293 | -0.505 | -0.317 | -0.537 | -0.34 | ns |
| LVC MOS12_4mA | LVC MOS 1.2 4mA drive | -0.218 | -0.239 | -0.25 | -0.271 | -0.28 | -0.303 | ns |
| LVC MOS12_8mA | LVC MOS 1.2 8mA drive | -0.109 | -0.269 | -0.143 | -0.181 | -0.176 | -0.093 | ns |
| LVC MOS12_12mA | LVC MOS 1.2 12mA drive | -0.054 | -0.3 | -0.085 | -0.203 | -0.114 | -0.106 | ns |
| LVC MOS12_OD | LVC MOS 1.2 open drain | -0.126 | -0.371 | -0.166 | -0.398 | -0.204 | -0.43 | ns |
| PCI33 | PCI | -0.216 | -0.791 | -0.417 | -1.263 | -0.618 | -1.735 | ns |
| PCIX33 | PCI-X 3.3 | -0.216 | -0.791 | -0.417 | -1.263 | -0.618 | -1.735 | ns |
| PCIX15 | PCI-X 1.5 | 0.208 | 0.227 | 0.233 | 0.312 | 0.259 | 0.398 | ns |
| AGP1X33 | AGP-1X 3.3 | -0.216 | -0.791 | -0.417 | -1.263 | -0.618 | -1.735 | ns |
| AGP2X33 | AGP-2X | -0.216 | -0.791 | -0.417 | -1.263 | -0.618 | -1.735 | ns |

LatticeSC/M Internal Timing Parameters¹

Over Recommended Commercial Operating Conditions at VCC = 1.2V +/- 5%

| Parameter | Symbol | Description | -7 | | -6 | | -5 | | Units |
|---------------------------------------|------------|--|--------|-------|--------|-------|--------|-------|-------|
| | | | Min. | Max. | Min. | Max. | Min. | Max. | |
| PFU Logic Mode Timing | | | | | | | | | |
| t _{LUT4_PFU} | CTOF_DEL | LUT4 delay (A to D inputs to F output) | — | 0.045 | — | 0.050 | — | 0.054 | ns |
| t _{LUT5_PFU} | MTOOFX_DEL | LUT5 delay (inputs to output) | — | 0.152 | — | 0.172 | — | 0.192 | ns |
| t _{LSR_PFU} | LSR_DEL | Set/Reset to output (asynchronous) | — | 0.378 | — | 0.426 | — | 0.474 | ns |
| t _{SUM_PFU} | M_SET | Clock to Mux (M0,M1) input setup time | 0.113 | — | 0.131 | — | 0.148 | — | ns |
| t _{HM_PFU} | M_HLD | Clock to Mux (M0,M1) input hold time | -0.041 | — | -0.046 | — | -0.052 | — | ns |
| t _{SUD_PFU} | DIN_SET | Clock to D input setup time | 0.072 | — | 0.083 | — | 0.094 | — | ns |
| t _{HD_PFU} | DIN_HLD | Clock to D input hold time | -0.028 | — | -0.032 | — | -0.035 | — | ns |
| t _{CK2Q_PFU} | REG_DEL | Clock to Q delay, D-type register configuration | — | 0.224 | — | 0.252 | — | 0.279 | ns |
| t _{LE2Q_PFU} | LTCH_DEL | Clock to Q delay latch configuration | — | 0.294 | — | 0.331 | — | 0.367 | ns |
| t _{LD2Q_PFU} | TLTCH_DEL | D to Q throughput delay when latch is enabled | — | 0.300 | — | 0.338 | — | 0.376 | ns |
| PFU Memory Mode Timing | | | | | | | | | |
| t _{CORAM_PFU} | CLKTOF_DEL | Clock to Output | — | 0.575 | — | 0.649 | — | 0.724 | ns |
| t _{SUDATA_PFU} | DIN_SET | Data Setup Time | -0.024 | — | -0.026 | — | -0.027 | — | ns |
| t _{HDATA_PFU} | DIN_HLD | Data Hold Time | 0.075 | — | 0.084 | — | 0.094 | — | ns |
| t _{SUADDR_PFU} | WAD_SET | Address Setup Time | -0.176 | — | -0.196 | — | -0.215 | — | ns |
| t _{HADDR_PFU} | WAD_HLD | Address Hold Time | 0.110 | — | 0.124 | — | 0.138 | — | ns |
| t _{SUWREN_PFU} | WE_SET | Write/Read Enable Setup Time | 0.014 | — | 0.019 | — | 0.024 | — | ns |
| t _{HWREN_PFU} | WE_HLD | Write/Read Enable Hold Time | 0.078 | — | 0.086 | — | 0.094 | — | ns |
| PIC Timing | | | | | | | | | |
| PIO Input/Output Buffer Timing | | | | | | | | | |
| t _{IN_PIO} | IN_DEL | Input Buffer Delay(LVCMOS25) | — | 0.578 | — | 0.661 | — | 0.744 | ns |
| t _{OUT_PIO} | DOPADI_DEL | Output Buffer Delay(LVCMOS25) | — | 2.712 | — | 3.027 | — | 3.395 | ns |
| t _{SUI_PIO} | DIN_SET | Input Register Setup Time (Data Before Clock) | 0.277 | — | 0.312 | — | 0.348 | — | ns |
| t _{HI_PIO} | DIN_HLD | Input Register Hold Time (Data after Clock) | -0.267 | — | -0.306 | — | -0.345 | — | ns |
| t _{COO_PIO} | CK_DEL | Output Register Clock to Output Delay | — | 0.513 | — | 0.571 | — | 0.639 | ns |
| t _{SUCE_PIO} | CE_SET | Input Register Clock Enable Setup Time | — | 0.000 | — | 0.000 | — | 0.000 | ns |
| t _{HCE_PIO} | CE_HLD | Input Register Clock Enable Hold Time | — | 0.129 | — | 0.145 | — | 0.161 | ns |
| t _{SULSR_PIO} | LSR_SET | Set/Reset Setup Time | 0.057 | — | 0.060 | — | 0.063 | — | ns |
| t _{HLSR_PIO} | LSR_HLD | Set/Reset Hold Time | -0.151 | — | -0.159 | — | -0.169 | — | ns |
| t _{LE2Q_PIO} | CK_DEL | Input Register Clock to Q delay latch configuration | — | 0.335 | — | 0.372 | — | 0.410 | ns |
| t _{LD2Q_PIO} | DIN_DEL | Input Register D to Q throughput delay when latch is enabled | — | 0.578 | — | 0.647 | — | 0.717 | ns |

LatticeSC/M Internal Timing Parameters¹ (Continued)

Over Recommended Commercial Operating Conditions at VCC = 1.2V +/- 5%

| Parameter | Symbol | Description | -7 | | -6 | | -5 | | Units |
|------------------------------|-------------|--|--------|-------|--------|-------|--------|-------|-------|
| | | | Min. | Max. | Min. | Max. | Min. | Max. | |
| EBR Timing | | | | | | | | | |
| t _{CO_EBR} | CK_Q_DEL | Clock (Read) to output from Address or Data | — | 1.900 | — | 2.116 | — | 2.335 | ns |
| t _{COO_EBR} | CK_Q_DEL | Clock (Write) to output from EBR output Register | 0.390 | — | 0.444 | — | 0.498 | — | ns |
| t _{SUDATA_EBR} | D_CK_SET | Setup Data to EBR Memory (Write clk) | -0.173 | — | -0.192 | — | -0.210 | — | ns |
| t _{HDATA_EBR} | D_CK_HLD | Hold Data to EBR Memory (Write clk) | 0.276 | — | 0.305 | — | 0.335 | — | ns |
| t _{SUADDR_EBR} | A_CK_SET | Setup Address to EBR Memory (Write clk) | -0.165 | — | -0.182 | — | -0.200 | — | ns |
| t _{HADDR_EBR} | A_CK_HLD | Hold Address to EBR Memory (Write clk) | 0.269 | — | 0.298 | — | 0.327 | — | ns |
| t _{SUWREN_EBR} | CE_CK_SET | Setup Write/Read Enable to EBR Memory (Write/Read clk) | 0.225 | — | 0.226 | — | 0.226 | — | ns |
| t _{HWREN_EBR} | CE_CK_HLD | Hold Write/Read Enable to EBR Memory (write/read clk) | 0.073 | — | 0.095 | — | 0.116 | — | ns |
| t _{SUCE_EBR} | CS_CK_SET | Clock Enable Setup Time to EBR Output Register (Read clk) | 0.261 | — | 0.269 | — | 0.276 | — | ns |
| t _{HCE_EBR} | CS_CK_HLD | Clock Enable Hold Time to EBR Output Register (Read clk) | 0.023 | — | 0.039 | — | 0.055 | — | ns |
| t _{RSTO_EBR} | RESET_Q_DEL | Reset To Output Delay Time from EBR Output Register (asynchronous) | — | 0.589 | — | 0.673 | — | 0.757 | ns |
| Cycle Boosting Timing | | | | | | | | | |
| t _{DEL1} | DEL1 | Cycle boosting delay 1 applies to PIO, PFU, EBR | — | 0.480 | — | 0.524 | — | 0.570 | ns |
| t _{DEL2} | DEL2 | Cycle boosting delay 2 applies to PIO, PFU, EBR | — | 0.922 | — | 1.005 | — | 1.090 | ns |
| t _{DEL3} | DEL3 | Cycle boosting delay 3 applies to PIO, PFU, EBR | — | 1.366 | — | 1.488 | — | 1.612 | ns |

1. Complete timing parameters for a user design will be incorporated when running ispLEVER. This is a sampling of the key timing parameters.

Input Delay Block/AIL Timing

| Parameter | Description | Min. | Typ. | Max. | Units |
|---------------|----------------------|--|------|------|-------|
| t_{FDEL} | Fine delay time | 35 | 45 | 80 | ps |
| t_{CDEL} | Coarse delay time | 1120 | 1440 | 2560 | ps |
| $j_{t_{AIL}}$ | AIL jitter tolerance | $1 - ((N^1 * t_{FDEL}) / (\text{Clock Period}))$ | | | UI |

1. N = number of fine delays used in a particular AIL setting

GSR Timing

| Parameter | Description | VCC | -7 | | -6 | | -5 | | Units |
|-----------------------|---|-------|------|------|------|------|------|------|-------|
| | | | Min. | Max. | Min. | Max. | Min. | Max. | |
| $t_{SYNC_GSR_MAX}$ | Maximum operating frequency for synchronous GSR | 1.14V | — | 438 | — | 417 | — | 398 | MHz |
| | | 0.95V | — | 378 | — | 355 | — | 337 | MHz |
| $t_{ASYNC_GSR_MPW}$ | Minimum pulse width of asynchronous input | — | — | — | — | — | 3.3 | — | ns |

Note: Synchronous GSR goes out of reset in two cycles from the clock edge where the setup time of the FF was met.

Internal System Bus Timing

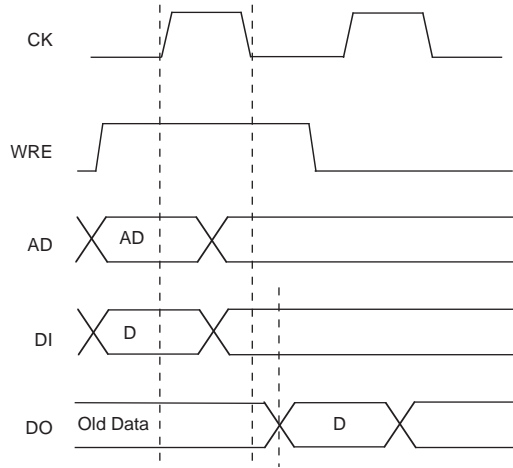
| Parameter | Description | -7 | | -6 | | -5 | | Units |
|------------|---|------|------|------|------|------|------|-------|
| | | Min. | Max. | Min. | Max. | Min. | Max. | |
| t_{HCLK} | Maximum operating frequency for internal system bus HCLK. | — | 200 | — | 200 | — | 200 | MHz |

Note: There is no minimum frequency. If HCLK is sourced from the embedded oscillator, the minimum frequency limitation of the oscillator/divider is about 0.3 MHz. Refer to the oscillator data for missing configuration modes.

Timing Diagrams

PFU Timing Diagrams

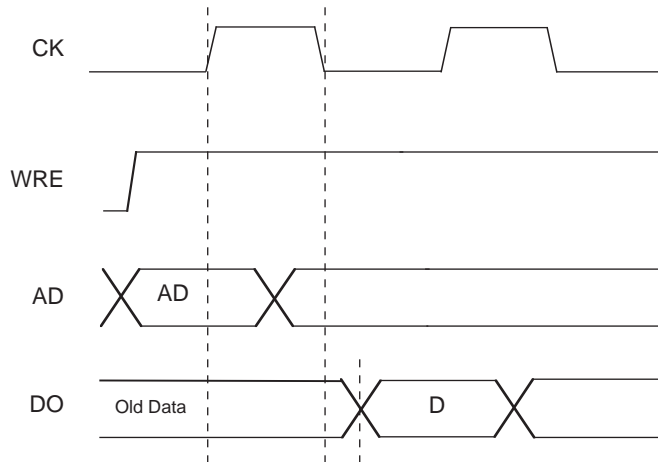
Figure 3-4. Slice Single/Dual Port Write Cycle Timing



Notes:

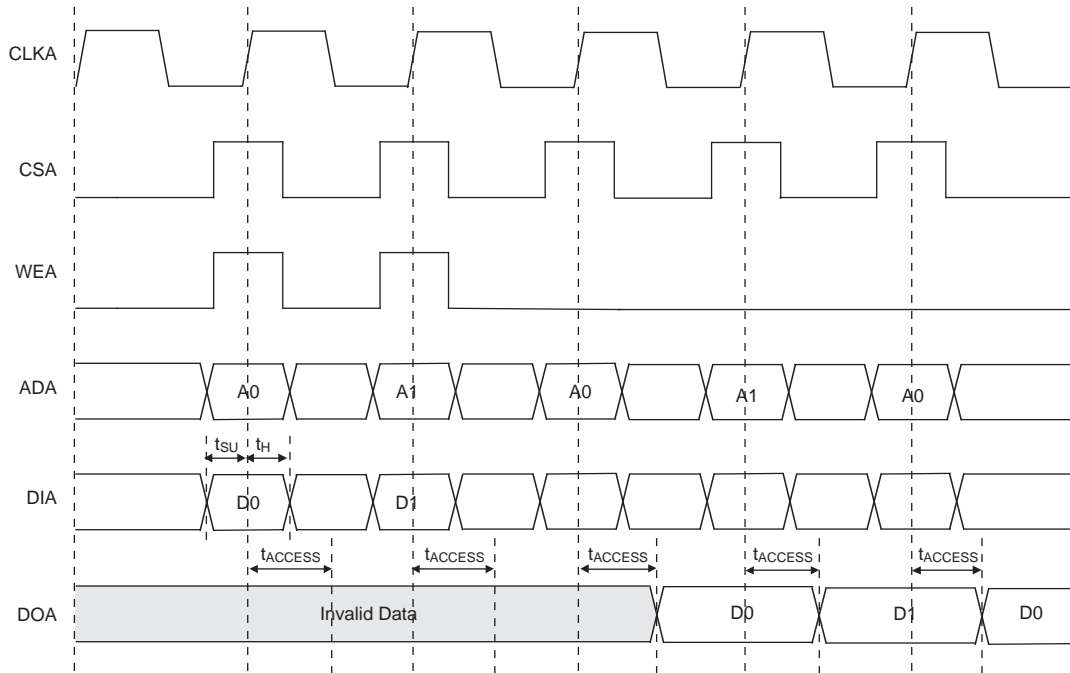
- Rising Edge for latching WREN, WAD and DATAIN.
- WREN must continue past falling edge clock.
- Data output occurs on negative edge.

Figure 3-5. Slice Single/Dual Port Read Cycle Timing



EBR Memory Timing Diagrams

Figure 3-6. Read Mode



Note: Input data and address are registered at the positive edge of the clock and output data appears after the positive of the clock.

Figure 3-7. Read Mode with Input Registers Only

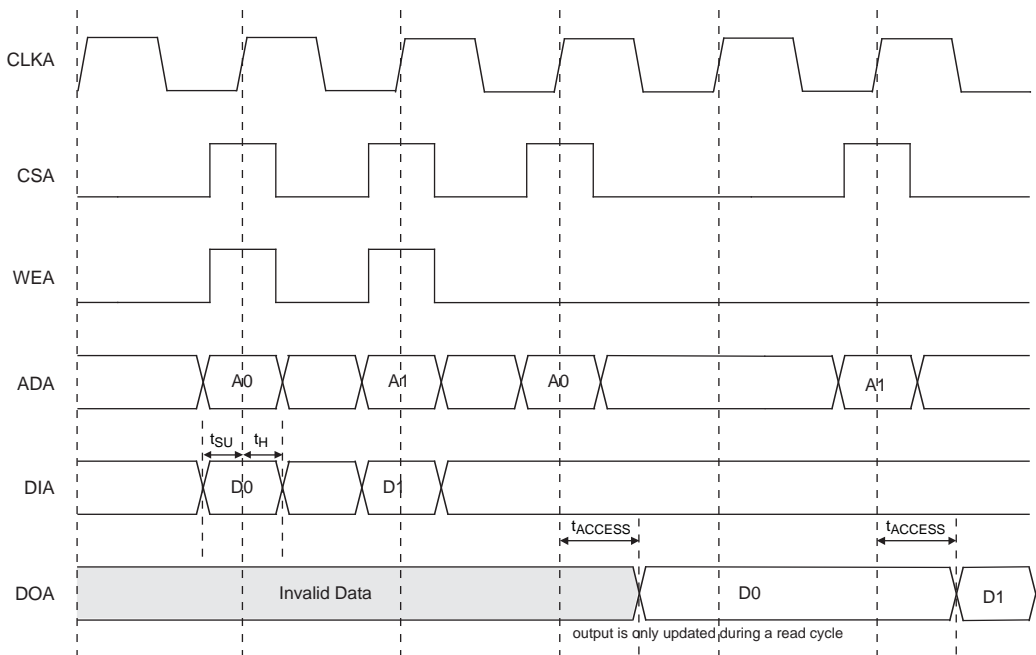
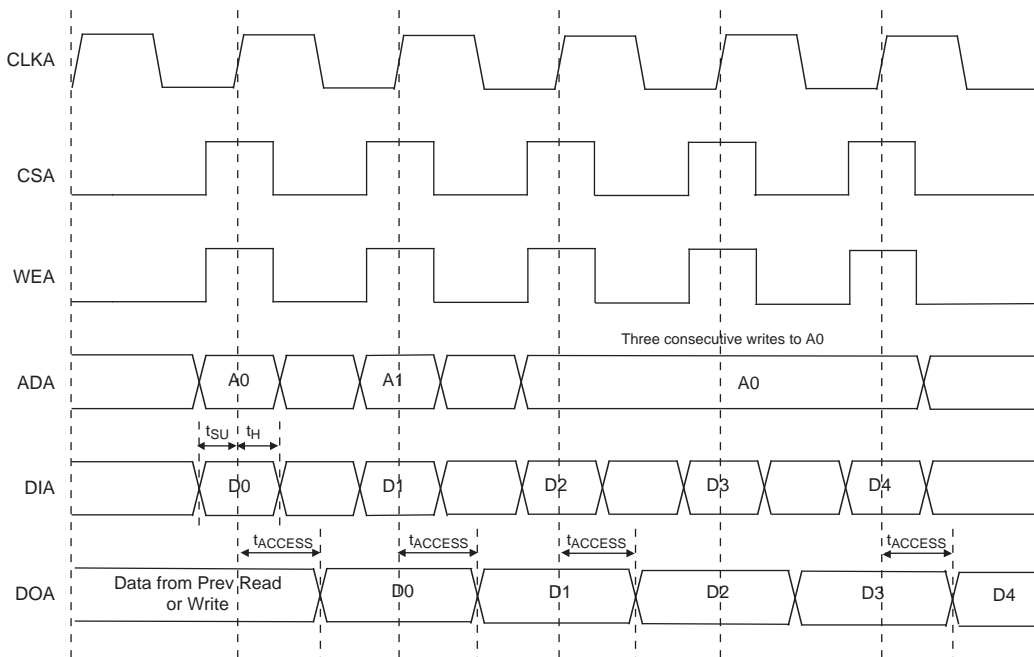


Figure 3-8. Read Mode with Input and Output Registers

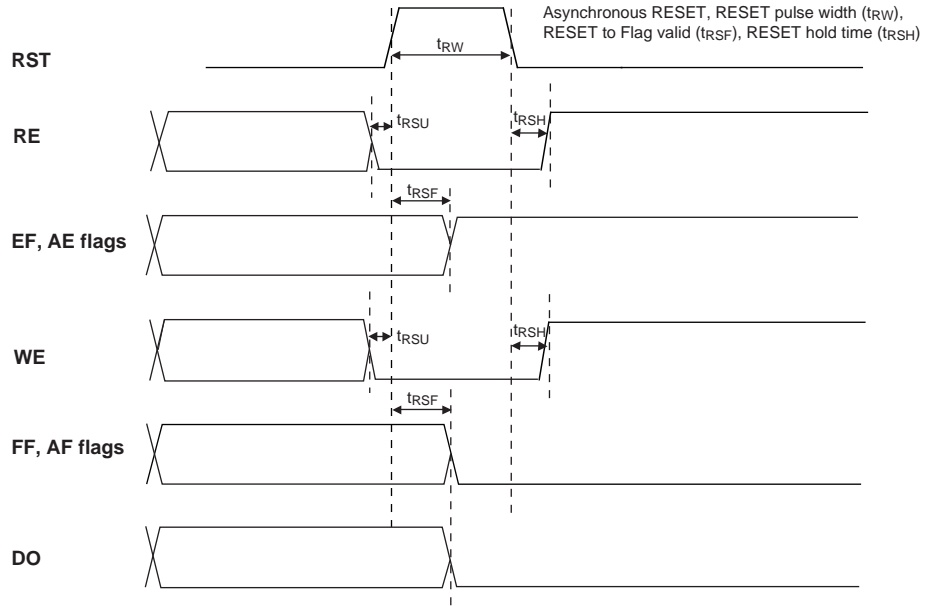


Figure 3-9. Write Through (SP Read/Write On Port A, Input Registers Only)



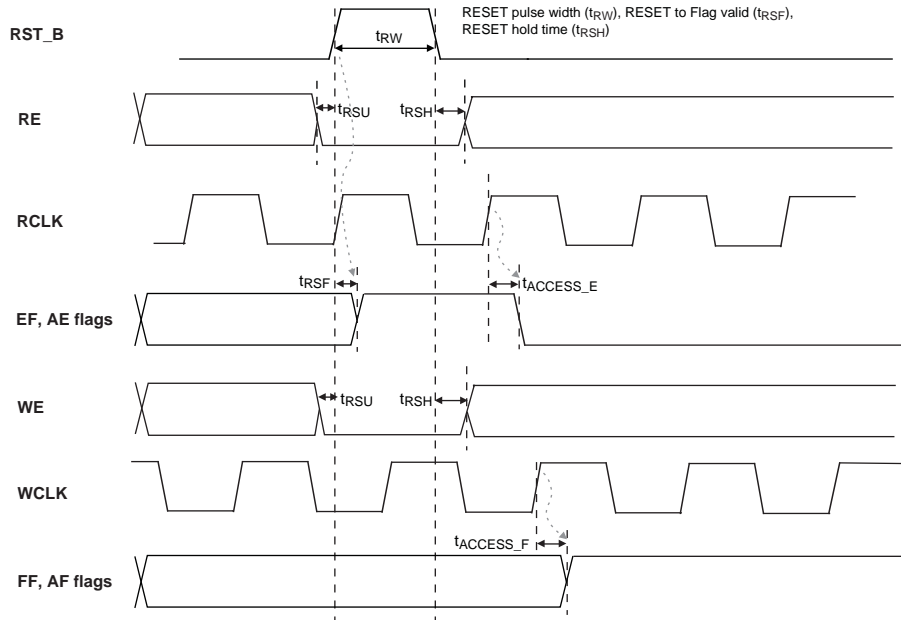
Note: Input data and address are registered at the positive edge of the clock and output data appears after the positive of the clock.

Figure 3-10. FIFO Reset Waveform



Note: RE and WE must be deactivated t_{RSU} before the Positive FIFO reset edge and enabled t_{RSH} after the FIFO reset negative edge.

Figure 3-11. Read Pointer Reset Waveform



Note: RE and WE must be deactivated t_{RSU} before the Positive FIFO reset edge and enabled t_{RSH} after the FIFO reset negative edge.

Figure 3-12. Waveforms First Read after Full Flag



Figure 3-13. Waveform First Write after Empty Flag



sysCLOCK PLL Timing

Over Recommended Operating Conditions

| Parameter | Description | Conditions | Min. | Typ | Max. | Units |
|---------------------------------|--|---|--------|---------|------|-------|
| f _{IN} | Input Clock Frequency (CLKI, CLKFB) | | 2 | — | 1000 | MHz |
| f _{OUT} | Output Clock Frequency (CLKOP, CLKOS) | | 1.5625 | — | 1000 | MHz |
| f _{VCO} | PLL VCO Frequency | | 100 | — | 1000 | MHz |
| f _{PFD} | Phase Detector Input Frequency | | 2 | — | 700 | MHz |
| AC Characteristics | | | | | | |
| t _{DT} | Output Clock Duty Cycle | Default duty cycle selected (at 50% levels) | 45 | — | 55 | % |
| t _{OPJIT} ¹ | Output Clock Period Jitter | 2 MHz ≤ f _{PFD} ≤ 10 MHz | — | — | 200 | ps |
| | | f _{PFD} > 10 MHz | — | — | 100 | ps |
| t _{CPJIT} ¹ | Output Clock Cycle-to-Cycle Jitter | | — | — | 100 | ps |
| t _{SKEW} | Output Clock-to-Clock Skew (Between Two Outputs with the Same Phase Setting) | | — | — | 20 | ps |
| t _{LOCK} | PLL Lock-in Time | | — | — | 1 | ms |
| t _{IPJIT} | Input Clock Period Jitter | | — | — | ±250 | ps |
| t _{HI} | Input Clock High Time | At 80% level | 350 | — | — | ps |
| t _{LO} | Input Clock Low Time | At 20% level | 350 | — | — | ps |
| t _{RSWA} | Analog Reset Signal Pulse Width | | 100 | — | — | ns |
| t _{RSWD} | Digital Reset Signal Pulse Width | | 3 | — | — | ns |
| t _{DEL} | Timeshift Delay Step Size | | 40 | 80 | 120 | ps |
| t _{RANGE} | Timeshift Delay Range | | — | +/- 560 | — | ps |
| f _{SS} | Spread Spectrum Modulation Frequency | | 30 | — | 500 | KHz |
| % Spread | Percentage Downspread for SS Mode | | 0.5 | — | 1.5 | % |
| | VCO Clock Phase Adjustment Accuracy | | -5 | — | 5 | ° |

1. Values are measured with FPGA logic active, no additional I/Os toggling and REFCLK total jitter = 30 ps

sysCLOCK DLL Timing**Over Recommended Operating Conditions**

| Parameter | Description | Conditions | Min. | Typ. | Max. | Units |
|---------------------------|--|--|------|------|---------|--------|
| f_{IN} | Input Clock Frequency (CLKI, CLKFB) | | 100 | — | 700 | MHz |
| f_{OUTOP} | Output Clock Frequency (CLKOP) | | 100 | — | 700 | MHz |
| f_{OUTOS} | Output Clock Frequency (CLKOS) | | 25 | — | 700 | MHz |
| AC Characteristics | | | | | | |
| t_{DUTY} | Output Clock Duty Cycle | Output Clock Duty Cycle (at 50% levels, 50% duty cycle input clock, duty cycle correction turned off, time reference delay mode) | 38 | — | 62 | % |
| t_{DUTYRD} | Output Clock Duty Cycle | Output Clock Duty Cycle (at 50% levels, arbitrary duty cycle input clock, duty cycle correction turned on, time reference delay mode) | 45 | — | 55 | % |
| $t_{DUTYCIR}$ | Output Clock Duty Cycle | Output Clock Duty Cycle (at 50% levels, arbitrary duty cycle input clock, duty cycle correction turned on, clock injection removal mode) | 40 | — | 60 | % |
| t_{OPJIT}^1 | Output Clock Period Jitter | | — | — | 200 | ps |
| t_{CPJIT}^1 | Output Clock Cycle-to-Cycle Jitter | | — | — | 200 | ps |
| t_{SKEW} | Output Clock to Clock Skew (Between Two Outputs with the Same Phase Setting) | | — | — | 100 | ps |
| t_{LOCK} | DLL Lock-in Time | | 8 | — | 18500 | cycles |
| t_{IDUTY} | Input Clock Duty Cycle | Applies to all operating conditions | 35 | — | 65 | % |
| t_{IPJIT} | Input Clock Period Jitter | | — | — | +/- 250 | ps |
| t_{HI} | Input Clock High Time | At 80% level | 500 | — | — | ps |
| t_{LO} | Input Clock Low Time | At 20% level | 500 | — | — | ps |
| t_{RSWD} | Reset Signal Pulse Width | | 3 | — | — | ns |
| t_{FDEL} | Timeshift Delay Step Size | | 35 | 45 | 80 | ps |
| t_{DLL} | Delay Through the DLL when No Delay Taps are Chosen but Not in Bypass Mode. | | — | 760 | — | ps |

1. Values are measured with FPGA logic active, no additional I/Os toggling and REFCLK total jitter = 30 ps.

LatticeSC/M sysCONFIG Port Timing

Over Recommended Operating Conditions

| Parameter | Description | Min. | Max. | Units |
|---|---|----------------------|----------------------|--------------|
| General Configuration Timing | | | | |
| t _S MODE | M[3:0] Setup Time to INITN High | 0 | — | ns |
| t _H MODE | M[3:0] Hold Time from INITN High | 600 | — | ns |
| t _{RW} | RESETN Pulse Width Low to Start Reconfiguration (1.2 V) | 50 (or 100 at 0.95V) | — | ns |
| t _{PGW} | PROGRAMN Pulse Width Low to Start Reconfiguration (1.2 V) | 50 (or 100 at 0.95V) | — | ns |
| f _{ESB_CLK_FRQ} | System Bus ESB_CLK Frequency (No Wait States) | — | 133 | MHz |
| sysCONFIG Master Parallel Configuration Mode | | | | |
| t _S MBS | D[7:0] Setup Time to RCLK High | 6 | — | ns |
| t _H MBS | D[7:0] Hold Time to RCLK High | 0 | — | ns |
| t _{CL} MBS | RCLK Low Time (Non-compressed Bitstreams) | 0.5 | 0.5 | CCLK periods |
| | RCLK Low Time (Compressed Bitstreams) | 0.5 | 7.5 | CCLK periods |
| t _{CH} MBS | RCLK High Time | 0.5 | 0.5 | CCLK periods |
| sysCONFIG SPI Port | | | | |
| t _{CF} GX | INITN High to CSCK Low | — | 80 | ns |
| t _{CS} SPI | INITN High to CSSPIN Low | 0 | 2 | μs |
| t _S CK | CSCK Low before CSSPIN Low | 0 | — | ns |
| t _{SO} CDO | CSCK Low to Output Valid | — | 15 | ns |
| t _{CS} PID | CSSPIN Low to CSCK high Setup Time | — | 15 | ns |
| f _{MA} XSPI | Max CCLK Frequency - SPI Flash Fast Read Opcode (0x0B) (SPIFASTN=0) | — | 50 | MHz |
| t _{SU} SPI | SOSPI/D0 Data Setup Time Before CSCK | 7 | — | ns |
| t _H SPI | SOSPI/D0 Data Hold Time After CSCK | 2 | — | ns |
| | Master Clock Frequency | Selected value - 30% | Selected value + 30% | MHz |
| | Duty Cycle | 40 | 60 | % |
| sysCONFIG Master Serial Configuration Mode | | | | |
| t _S MS | DIN Setup Time | 4.4 | — | ns |
| t _H MS | DIN Hold Time | 0 | — | ns |
| f _C MS | CCLK Frequency (No Divider) | 90 | 190 | MHz |
| f _{C_DIV} | CCLK Frequency (Div 128) | 0.70 | 1.48 | MHz |
| t _D | CCLK to DOUT Delay | — | 7.5 | ns |
| sysCONFIG Master Parallel Configuration Mode | | | | |
| t _{AV} MPS | RCLK to Address Valid | — | 10 | ns |
| t _S MPS | D[7:0] Setup Time to RCLK High | 6 | — | ns |
| t _H MPS | D[7:0] Hold Time to RCLK High | 0 | — | ns |
| t _{CL} MPS | RCLK Low Time (Non-compressed Bitstream) | 7.5 | 7.5 | CCLK periods |
| | RCLK Low Time (Compressed Bitstream) | 0.5 | 63.5 | CCLK periods |
| t _{CH} MPS | RCLK High Time | 0.5 | 0.5 | CCLK periods |
| t _D MPS | CCLK to DOUT | — | 7.5 | ns |

LatticeSC/M sysCONFIG Port Timing (Continued)

Over Recommended Operating Conditions

| Parameter | Description | Min. | Max. | Units |
|---|----------------------------------|------|------|--------------|
| sysCONFIG Asynchronous Peripheral Configuration Mode | | | | |
| t_{WRAP} | WRN, CS0N and CS1 Pulse Width | 5 | - | ns |
| t_{SAP} | D[7:0] Setup Time | 1.5 | - | ns |
| t_{RDYAP} | RDY Delay | — | 8 | ns |
| t_{BAP} | RDY Low | 1 | 8 | CCLK periods |
| t_{WR2AP} | Earliest WRN After RDY Goes High | 0 | — | ns |
| t_{DENAP} | RDN to D[7:0] Enable/Disable | — | 7.5 | ns |
| t_{DAP} | CCLK to DOUT | — | 7.5 | ns |
| sysCONFIG Slave Serial Configuration Mode | | | | |
| t_{SSS} | DIN Setup Time | 5.2 | — | ns |
| t_{HSS} | DIN Hold Time | 0 | — | ns |
| t_{CHSS} | CCLK High Time | 3.75 | — | ns |
| t_{CLSS} | CCLK Low Time | 3.75 | — | ns |
| f_{CSS} | CCLK Frequency | — | 150 | MHz |
| t_{DSS} | CCLK to DOUT | — | 7.5 | ns |
| sysCONFIG Slave Parallel Configuration Mode | | | | |
| t_{S1SP} | CS0N, CS1, WRN Setup Time | 5.2 | — | ns |
| t_{H1SP} | CS0N, CS1, WRN Hold Time | 0 | — | ns |
| t_{S2SP} | D[7:0] Setup Time | 5.2 | — | ns |
| t_{H2SP} | D[7:0] Hold Time | 0 | — | ns |
| t_{CHSP} | CCLK High Time | 3.75 | — | ns |
| t_{CL} | CCLK Low Time | 3.75 | — | ns |
| f_{CSP} | CCLK Frequency | — | 150 | MHz |

sysCONFIG MPI Port

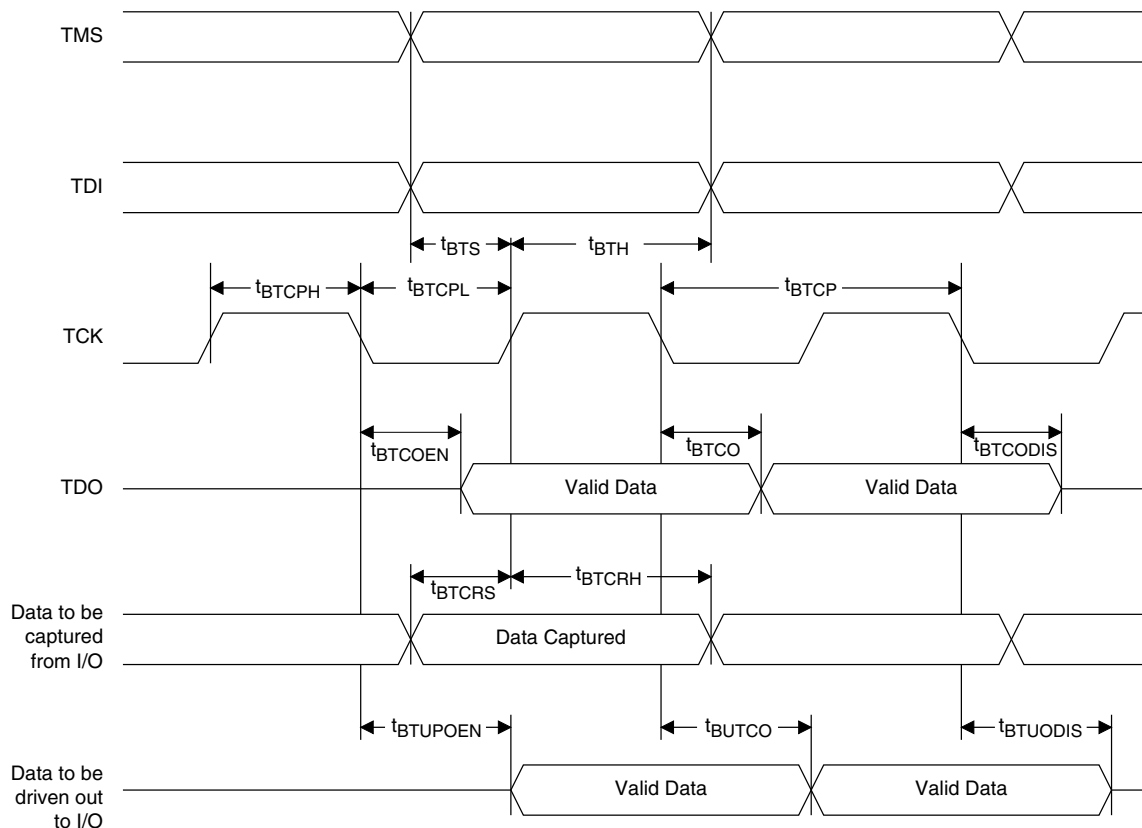
| Parameter | Description | -7 | | -6 | | -5 | | Units |
|---------------------|---|------|------|------|------|------|------|-------|
| | | Min. | Max. | Min. | Max. | Min. | Max. | |
| $t_{MPICTRL_SET}$ | MPI Control (MPCSTRBN, MPCWRN, MPCCLK, etc.) to MPCCLK Setup Time | 4.9 | — | 5.2 | — | 5.5 | — | ns |
| t_{MPIADR_SET} | MPI Address to MPCCLK Setup Time | 3.9 | — | 4.2 | — | 4.5 | — | ns |
| t_{MPIDAT_SET} | MPI Write Data to MPCCLK Setup Time | 4.9 | — | 5.2 | — | 5.5 | — | ns |
| $t_{MPIDPAR_SET}$ | MPI Write Parity Data to MPCCLK Setup Time | 3.9 | — | 4.2 | — | 4.5 | — | ns |
| t_{MPI_HLD} | All Hold Times | 0 | — | 0 | — | 0 | — | ns |
| $t_{MPICTRL_DEL}$ | MPCCLK to MPI Control (MPCTA, MPC-TEA, MPCRETRY) | — | 5.6 | — | 6.7 | — | 8.7 | ns |
| t_{MPIDAT_DEL} | MPCCLK to MPI Data | — | 5.6 | — | 6.7 | — | 8.7 | ns |
| $t_{MPIDPAR_DEL}$ | MPCCLK to MPI Parity Data | — | 4.9 | — | 5.7 | — | 7.7 | ns |
| $f_{MPI_CLK_FRQ}$ | MPCCLK Frequency | — | 100 | — | 83 | — | 66 | MHz |

JTAG Port Timing Specifications

Over Recommended Operating Conditions

| Symbol | Parameter | Min. | Max. | Units |
|---------------|--|------|------|-------|
| f_{MAX} | | — | 25 | MHz |
| t_{BTCP} | TCK [BSCAN] Clock Pulse Width | 40 | — | ns |
| t_{BTCPH} | TCK [BSCAN] Clock Pulse Width High | 20 | — | ns |
| t_{BTCPL} | TCK [BSCAN] Clock Pulse Width Low | 20 | — | ns |
| t_{BTS} | TCK [BSCAN] Setup Time | 8 | — | ns |
| t_{BTH} | TCK [BSCAN] Hold Time | 10 | — | ns |
| t_{BTRF} | TCK [BSCAN] Rise/Fall Time | 50 | — | mV/ns |
| t_{BTCO} | TAP Controller Falling Edge of Clock to Valid Output | — | 10 | ns |
| $t_{BTCODIS}$ | TAP Controller Falling Edge of Clock to Valid Disable | — | 10 | ns |
| t_{BTCOEN} | TAP Controller Falling Edge of Clock to Valid Enable | — | 10 | ns |
| t_{BTCRS} | BSCAN Test Capture Register Setup Time | 8 | — | ns |
| t_{BTCRH} | BSCAN Test Capture Register Hold Time | 10 | — | ns |
| t_{BUTCO} | BSCAN Test Update Register, Falling Edge of Clock to Valid Output | — | 25 | ns |
| $t_{BTUODIS}$ | BSCAN Test Update Register, Falling Edge of Clock to Valid Disable | — | 25 | ns |
| $t_{BTUPOEN}$ | BSCAN Test Update Register, Falling Edge of Clock to Valid Enable | — | 25 | ns |

Figure 3-14. JTAG Port Timing Waveforms



Switching Test Conditions

Figure 3-15 shows the output test load that is used for AC testing. The specific values for resistance, capacitance, voltage, and other test conditions are shown in Table 3-4.

Figure 3-15. Output Test Load, LVTTTL and LVCMOS Standards

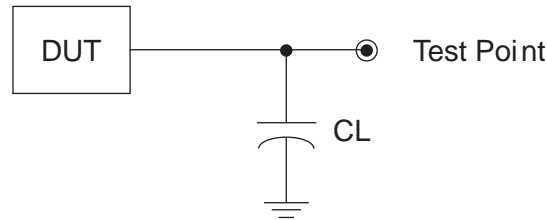


Table 3-4. Test Fixture Required Components, Non-Terminated Interfaces

| Test Condition | C _L | Timing Ref. | V _T |
|---|----------------|-----------------------------------|-----------------|
| LVTTTL and other LVCMOS settings (L -> H, H -> L) | 30pF | LVCMOS 3.3 = 1.5V | — |
| | | LVCMOS 2.5 = V _{CCIO} /2 | — |
| | | LVCMOS 1.8 = V _{CCIO} /2 | — |
| | | LVCMOS 1.5 = V _{CCIO} /2 | — |
| | | LVCMOS 1.2 = V _{CCIO} /2 | — |
| LVCMOS 2.5 I/O (Z -> H) | 30pF | V _{CCIO} /2 | V _{OL} |
| LVCMOS 2.5 I/O (Z -> L) | | V _{CCIO} /2 | V _{OH} |
| LVCMOS 2.5 I/O (H -> Z) | | V _{OH} - 0.15 | V _{OL} |
| LVCMOS 2.5 I/O (L -> Z) | | V _{OL} + 0.15 | V _{OH} |

Note: Output test conditions for all other interfaces are determined by the respective standards.

Signal Descriptions

| Signal Name | I/O | Description |
|--|-----|---|
| General Purpose | | |
| P[Edge] [Row/Column Number*]_[A/B/C/D] | I/O | <p>[Edge] indicates the edge of the device on which the pad is located. Valid edge designations are L (Left), B (Bottom), R (Right), T (Top).</p> <p>[Row/Column Number] indicates the PIC row or the column of the device on which the PIC exists. When Edge is T (Top) or (Bottom), only need to specify Row Number. When Edge is L (Left) or R (Right), only need to specify Column Number.</p> <p>[A/B/C/D] indicates the PIO within the PIC to which the pad is connected.</p> <p>Some of these user programmable pins are shared with special function pins. These pin when not used as special purpose pins can be programmed as I/Os for user logic.</p> <p>During configuration the user-programmable I/Os are tri-stated with an internal pull-up resistor enabled. If any pin is not used (or not bonded to a package pin), it is also tri-stated with an internal pull-up resistor enabled after configuration.</p> |
| VREF1_x, VREF2_x | — | The reference supply pins for I/O bank x. Any I/O pin in a bank can be assigned as a reference supply pin, but software defaults use designated pin. |
| NC | — | No connect. NC pins should not be connected to any active signals, VCC or GND. |
| Non-SERDES Power Supplies | | |
| VCCIOx | — | VCCIO - The power supply pins for I/O bank x. Dedicated pins. |
| VCC12 ¹ | — | 1.2V supply for configuration logic, PLLs and SERDES Rx, Tx and PLL. All VCC12 pins must be connected. As VCC12 supplies power for analog circuitry, VCC12 should be quiet and isolated from noisy digital board supplies. |
| VTT_x | — | Termination voltage for bank x. When VTT termination is not required, or used to provide the common mode termination voltage (VCMT), these pins can be left unconnected on the device. VCMT function is not used in the bank. If the internal or external VCMT function for differential input termination is used, the VTT pins should be unconnected and allowed to float. |
| GND | — | GND - Ground. Dedicated pins. All grounds must be electrically connected at the board level. |
| VCC | — | VCC - The power supply pins for core logic. Dedicated pins (1.2V/1.0V). |
| VCCAUX | — | VCCAUX - Auxiliary power supply pin - powers all differential and referenced input buffers. Dedicated pins (2.5V). |
| VCCJ | — | VCCJ - The power supply pin for JTAG Test Access Port. |
| PROBE_VCC | — | VCC signal - Connected to internal VCC node. Can be used for feedback to control an external board power converter. Can be unconnected if not used. |

Signal Descriptions (Cont.)

| Signal Name | I/O | Description |
|---|-----|---|
| PROBE_GND | — | GND signal - Connected to internal VSS node. Can be used for feedback to control an external board power converter. Can be unconnected if not used. |
| PLL and Clock Functions (Used as user-programmable I/O pins when not in use for PLL, DLL or clock pins.) | | |
| [LOC]_PLL[T, C]_FB_[A/B] | I | PLL feedback input. Pull-ups are enabled on input pins during configuration. [LOC] indicates the corner the PLL is located in: ULC (upper left), URC (upper right), LLC (lower left) and LRC (lower right). [T, C] indicates whether input is true or complement. [A, B] indicates PLL reference within the corner. |
| [LOC]_DLL[T, C]_FB_[C, D, E, F] | I | DLL feedback input. Pull-ups are enabled on input pins during configuration. [LOC] indicates the corner the DLL is located in: ULC (upper left), URC (upper right), LLC (lower left) and LRC (lower right). [T/C] indicates whether input is true or complement. [C, D, E, F] indicates DLL reference within a corner. Note: E and F are only available on the lower corners. |
| [LOC]_PLL[T, C]_IN[A/B] | I | PLL reference clock input. Pull-ups are enabled on input pins during configuration. [LOC] indicates the corner the PLL is located in: ULC (upper left corner), URC (upper right corner), LLC (lower left corner) and LRC (lower right corner). [T, C] indicates whether input is true or complement. [A, B] indicates PLL reference within the corner. |
| [LOC]_DLL[T, C]_IN[C, D, E, F] | | DLL reference clock inputs. Pull-ups are enabled on input pins during configuration. [LOC] indicates the corner the DLL is located in: ULC (upper left corner), URC (upper right corner), LLC (lower left corner) and LRC (lower right corner). [T/C] indicates whether input is true or complement. [C, D, E, F] indicates DLL reference within a corner. Note: E and F are only available on the lower corners. PCKLxy_[0:3] can drive primary clocks, edge clocks, and CLKDIVs. PCKLxy_[4:7] can only drive edge clocks. |
| PCKLxy_z | | General clock inputs. x indicates whether T (true) or C (complement). y indicates the I/O bank the clock is associated with. z indicates the clock number within a bank. |
| Test and Programming (Dedicated pins. Pull-up is enabled on input pins during configuration.) | | |
| TMS | I | Test Mode Select input, used to control the 1149.1 state machine. |
| TCK | I | Test Clock input pin, used to clock the 1149.1 state machine. |
| TDI | I | Test Data in pin, used to load data into device using 1149.1 state machine. After power-up, this TAP port can be activated for configuration by sending appropriate command. (Note: once a configuration port is selected it is locked. Another configuration port cannot be selected until the power-up sequence). |
| TDO | O | Output pin -Test Data out pin used to shift data out of device using 1149.1. |
| Configuration Pads (Dedicated pins. Used during sysCONFIG.) | | |
| M[3:0] | I | Mode pins used to specify configuration modes values latched on rising edge of INITN. |
| INITN | I/O | Open Drain pin - Indicates the FPGA is ready to be configured. During configuration, a pull-up is enabled that will pull the I/O above 1.5V. |
| PROGRAMN | I | Initiates configuration sequence when asserted low. This pin always has an active pull-up. |
| DONE | I/O | Open Drain pin - Indicates that the configuration sequence is complete, and the startup sequence is in progress. |
| CCLK | I/O | Configuration Clock for configuring an FPGA in sysCONFIG mode. |

Signal Descriptions (Cont.)

| Signal Name | I/O | Description |
|--|-----|---|
| RESETN | | Reset. (Also sent to general routing). During configuration it resets the configuration state machine. After configuration this pin can perform the global set/reset (GSR) functions or can be used as a general input pin. |
| CFGIRQN | O | MPI Interrupt request active low signal is controlled by system bus interrupt controller and may be sourced from any bus error or MPI configuration error. It can be connected to one of MPC860 IRQ pins. |
| TSALLN | I | Tristates all I/O. |
| Configuration Pads (User I/O if not used. Used during sysCONFIG.) | | |
| HDC/SI | O | High During Configuration is output high until configuration is complete. It is used as a control output, indicating that configuration is not complete. For SPI modes, this pin is used to download the read command and initial read address into the Flash memory device on the falling edge of SCK. This pin will be connected to SI of the memory. If the SPI mode is used, the 8-bit instruction code 0x03 will be downloaded followed by a 24-bit starting address of 0x000000 or a non-zero stat address for partial reconfiguration. If the SPIX mode has been selected, the 8-bit instruction captured on D[7:0] at power-up will be shifted in and followed by a 32-bit starting address of 0x000000. |
| LDCN/SCS | O | Low During Configuration is output low until configuration is complete. It is used as a control output, indicating that configuration is not complete. For SPI modes, this is an active low chip select for Flash memories. It will go active after INITN goes high but before SCK begins. During power up LDCN will be low. Once INITN goes high, LDCN will go high for 100ns-200ns after which time it will go back low and configuration can begin. During the 100ns-200ns period, the read instruction will be latched for SPIX mode. |
| DOUT | O | Serial data output that can drive the D0/DIN of daisy-chained slave devices. The data-stream from this output will propagate preamble bits of the bitstream to daisy-chained devices. Data out on DOUT changes on the rising edge of CCLK. |
| QOUT/CEON | O | During daisy-chaining configuration, QOUT is the serial data output that can drive the D0/DIN of daisy-chained slave devices that do not propagate preamble bits. Data out on QOUT changes on the rising edge of CCLK. During parallel-chaining configuration, active low CEON enables the cascaded slave device to receive bitstream data. |
| RDN | I | Used in the asynchronous peripheral configuration mode. A low on RDN changes D[7:3] into status outputs. WRN and RDN should not be used simultaneously. If they are, the write strobe overrides. |
| WRN | I | When the FPGA is selected, a low on the write strobe, WRN, loads the data on D[7:0] inputs into an internal data buffer. |
| CS0N CS1 | I | Used in the asynchronous peripheral, slave parallel and MPI modes. The FPGA is selected when CS0N is low and CS1 is high. During configuration, a pull-up is enabled on both except with MPI DMA access control. |
| A[21:0] | I/O | In master parallel mode, A[21:0] is an output and will address the configuration EPROMs up to 4 MB space. For MPI configuration mode, A[17:0] will be the MPI address MPI_ADDR[31:14], A[19:18] will be the transfer size and A[21:20] will be the burst mode and burst in process. |

Signal Descriptions (Cont.)

| Signal Name | I/O | Description |
|---|-----|---|
| D[n:0] | I/O | In parallel configuration modes, D[7:0] receives configuration data, and each pin is pull-up enabled. For slave serial mode, D0 is the data input. D[7:3] is the output internal status for peripheral mode when RDN is low. D[7:0] is also the first byte of MPI data pins. In MPI configuration mode, MPI selectable data bus width from 8 and 16-bit. Driven by a bus master in a write transaction. Driven by MPI in a read transaction. |
| DP[m:0] | I/O | MPI selectable parity data bus width from 1, 2, and 3-bit DP[0] for D[7:0], DP[1] for D[15:8], and DP[2] for D[23:16]. |
| BUSYN/RCLK/SCK | O | During configuration in peripheral mode, high on BUSYN indicates another byte can be written to the FPGA. If a read operation is done when the device is selected, the same status is also available on D[7] in asynchronous peripheral mode. During configuration in slave parallel mode, low on BUSYN inhibits the external host from sending new data. The output is used by slave parallel and master serial modes only for decompression. During configuration in master parallel and master byte modes, RCLK is a read clock output signal to an external memory. The RCLK frequency is the same as CCLK when used with uncompressed bit-streams. RCLK will be 1/8 the frequency of CCLK when the bitstream is compressed. During configuration in SPI modes, SCK is generated by the device and connected to the CLK input of the FLASH memory. |
| MPI Interface (Dedicated pin) | | |
| MPI_IRQ_N | O | MPI Interrupt request active low signal is controlled by system bus interrupt controller and may be sourced from any bus error or MPI configuration error. It can be connected to one of MPC860 IRQ pins. |
| MPI Interface (User I/O if MPI is not used.) | | |
| MPI_CS0N MPI_CS1 | I | MPI chip select pins, active low on MPI_CS0N while active high on MPI_CS1. Both have to be active during the whole transfer data phase. During transfer address phase, both can be inactive so that the decoding for them from address can be slow. If they are active during address phase, one cycle can be saved for sync read. |
| MPI_CLK | I | This is the PowerPC bus clock. It can be a source of the clock for embedded system bus. If MPI_CLK is used as system bus clock, MPI will be set into sync mode by default. All of the operation on PowerPC side of MPI are synchronized to the rising edge of this clock. |
| MPI_TSIZE[1:0] | I | Driven by a bus master to indicate the data transfer size for the transaction. 01 for byte, 10 for half-word, and 00 for word. |
| MPI_WR_N | I | Driven high indicates that a read access is in progress. Driven low indicates that a write access is in process. |
| MPI_BURST | I | Driven active low indicates that a burst transfer is in progress. Driven high indicates that the current transfer is not a burst. |
| MPI_BDIP | I | Active low "Burst Data in Process" is driven by a PowerPC processor. Asserted indicates that the second beat in front of the current one is requested by the master. Negated before the burst transfer ends to abort the burst data phase. |

Signal Descriptions (Cont.)

| Signal Name | I/O | Description |
|---|-----|--|
| MPI_STRBN | I | Driven active low indicates the start of a transaction on the PowerPC bus. MPI will strobe the address bus at next rising edge of clock. |
| MPI_ADDR[31:14] | I | Address bus driven by a PowerPC bus master. Only 18-bit width is needed. It has to be the least significant bit of the PowerPC 32-bit address A[31:14]. |
| MPI_DAT[n:0] | I/O | Selectable data bus width from 8, and 16-bit. Driven by a bus master in a write transaction. Driven by MPI in a read transaction. |
| MPI_PAR[m:0] | I/O | Selectable parity bus width from 1, 2, and 3-bit. MPI_DP[0] for MPI_D[7:0], MPI_DP[1] for MPI_D[15:8] and MPI_DP[2] for MPI_D[23:16]. |
| MPI_TA | O | Transfer acknowledge. Driven active low indicates that MPI received the data on the write cycle or returned data on the read cycle. |
| MPI_TEA | O | Transfer Error Acknowledge. Driven active low indicates that MPI detects a bus error on the internal system bus for current transaction. |
| MPI_RETRY | O | Active low MPI Retry requests the MPC860 to relinquish the bus and retry the cycle. |
| Multi-chip Alignment (User I/O if not used.) | | |
| MCA_DONE_OUT | O | Multi-chip alignment done output (to second MCA chip) |
| MCA_DONE_IN | I | Multi-chip alignment done input (from second MCA chip) |
| MCA_CLK_P[1:2]_OUT | O | Multi-chip alignment clock [1:2] output (sourced by MCA master chip) |
| MCA_CLK_P[1:2]_IN | I | Multi-chip alignment clock [1:2] input (from MCA master chip) |
| TEMP | — | Temperature sensing diode pin. Dedicated pin. Accuracy is typically +/- 10°C. |
| Miscellaneous Dedicated Pins | | |
| XRES | — | External reference resistor between this pin and ground. The reference resistor is used to calibrate the programmable terminating resistors used in the I/Os. Dedicated pin. Value: 1K ± 1% ohm. |
| DIFFRx | — | Only used if a differential driver is used in a bank. This DIFFRx must be connected to ground via an external 1K ±1% ohm resistor for all banks that have a differential driver. |
| SERDES Block (Dedicated Pins) | | |
| [A:D]_HDINPx_[L/R] | I | High-speed input (positive) channel x on left [L] or right [R] side of device. PCS quad is defined in the dual function name column of the Logic Signal Connection table. |
| [A:D]_HDINNx_[L/R] | I | High-speed input (negative) channel x on left [L] or right [R] side of device. PCS quad is defined in the dual function name column of the Logic Signal Connection table. |
| [A:D]_HDOUTPx_[L/R] | O | High-speed output (positive) channel x on left [L] or right [R] side of device. PCS quad is defined in the dual function name column of the Logic Signal Connection table. |
| [A:D]_HDOUTNx_[L/R] | O | High-speed output (negative) channel x on left [L] or right [R] side of device. PCS quad is defined in the dual function name column of the Logic Signal Connection table. |
| [A:D]_REFCLKP_[L/R] | I | Ref clock input (positive), aux channel on left [L] or right [R] side of device. |
| [A:D]_REFCLKN_[L/R] | I | Ref clock input (negative), aux channel on left [L] or right [R] side of device. |

Signal Descriptions (Cont.)

| Signal Name | I/O | Description |
|---------------------|-----|---|
| RESP_[ULC/URC] | — | Calibration resistor to be placed between this pin and either ground or RESPN_[ULC/URC]. RESPN_[ULC/URC] is available on select packages. If available, connection of calibration resistor between RESP_[ULC/URC] and RESPN_[ULC/URC] takes precedence over connection of calibration resistor between RESP_[ULC/URC] and ground. Note: only one per side of the device. Value: 4.02K ohm +/- 1% ohm. |
| RESPN_[ULC/URC] | — | Available on selected packages. If available, calibration resistor should be placed between RESP_[ULC/URC] and RESPN_[ULC/URC] instead of between RESP_[ULC/URC] and ground. Note: only one per side of the device. Value: 4.02K ohm +/- 1% ohm. |
| [A:D]_VDDIBx_[L/R] | — | Input buffer power supply for channel x (1.2V/1.5V) on left [L] or right [R] side of device. |
| [A:D]_VDDOBx_[L/R] | — | Output buffer power supply for channel x (1.2V/1.5V) on left [L] or right [R] side of device. |
| [A:D]_VDDAX25_[L/R] | — | Auxiliary power for input and output termination (2.5V) on left [L] or right [R] side of device. |

1. The ispLEVER software tools may specify VDDR_x, VD_{DTX}, VD_{DP} and VC_{CL} pins. These pins should be considered VCC12 pins.
Note: Signals listed as Signal A / Signal B define the same physical pin that is used for different functions based on configuration mode.

Pin Information Summary

| Pin Type | | 256 fpBGA | 900 fpBGA | | 1020 fcBGA | |
|--|------------------|-----------|-----------|----------|------------|----------|
| | | LFSC/M15 | LFSC/M15 | LFSC/M25 | LFSC/M25 | LFSC/M40 |
| Single Ended User I/O | | 139 | 300 | 378 | 476 | 562 |
| Differential Pair User I/O | | 60 | 141 | 182 | 235 | 277 |
| LVDS Output Pairs | | 22 | 44 | 60 | 60 | 78 |
| Configuration | Dedicated | 9 | 11 | 11 | 11 | 11 |
| | Muxes/MPI sysBus | 0 | 55 | 55 | 55 | 72 |
| JTAG (excluding VCCJ) | | 4 | 4 | 4 | 4 | 4 |
| Dedicated Pins | | 2 | 4 | 4 | 4 | 4 |
| VCC | | 10 | 46 | 46 | 40 | 40 |
| VCC12 | | 10 | 35 | 35 | 36 | 36 |
| VCCAUX | | 10 | 36 | 36 | 32 | 32 |
| VCCIO | Bank 1 | 3 | 18 | 18 | 10 | 10 |
| | Bank 2 | 2 | 14 | 14 | 8 | 8 |
| | Bank 3 | 2 | 15 | 15 | 10 | 10 |
| | Bank 4 | 3 | 15 | 15 | 10 | 10 |
| | Bank 5 | 3 | 15 | 15 | 10 | 10 |
| | Bank 6 | 2 | 15 | 15 | 10 | 10 |
| | Bank 7 | 2 | 16 | 16 | 8 | 8 |
| VTT | Bank 2 | 0 | 2 | 2 | 2 | 2 |
| | Bank 3 | 0 | 3 | 3 | 3 | 3 |
| | Bank 4 | 0 | 3 | 3 | 3 | 3 |
| | Bank 5 | 0 | 3 | 3 | 3 | 3 |
| | Bank 6 | 0 | 3 | 3 | 3 | 3 |
| | Bank 7 | 0 | 2 | 2 | 2 | 2 |
| GND | | 26 | 177 | 177 | 134 | 134 |
| NC | | 0 | 102 | 24 | 92 | 6 |
| Single Ended User / Differential I/O per Bank | Bank 1 | 21/8 | 63/30 | 63/30 | 68/32 | 68/32 |
| | Bank 2 | 15/7 | 26/13 | 30/15 | 34/17 | 54/27 |
| | Bank 3 | 19/8 | 43/20 | 62/29 | 84/42 | 94/47 |
| | Bank 4 | 25/11 | 50/22 | 66/32 | 84/41 | 99/48 |
| | Bank 5 | 25/11 | 49/23 | 65/32 | 88/44 | 99/49 |
| | Bank 6 | 19/8 | 43/20 | 62/29 | 84/42 | 94/47 |
| | Bank 7 | 15/7 | 26/13 | 30/15 | 34/17 | 54/27 |
| LVDS Output Pairs Per Bank | Bank 2 | 5 | 7 | 9 | 9 | 15 |
| | Bank 3 | 6 | 15 | 21 | 21 | 24 |
| | Bank 6 | 6 | 15 | 21 | 21 | 24 |
| | Bank 7 | 5 | 7 | 9 | 9 | 15 |
| VCCJ | | 1 | 1 | 1 | 1 | 1 |
| SERDES (signal + power supply) | | 28 | 60 | 60 | 108 | 108 |
| Total | | 256 | 900 | 900 | 1020 | 1152 |

Pin Information Summary (Cont.)

| Pin Type | | 1152 fcBGA | | | 1704 fcBGA | |
|--|------------------|------------|----------|-----------|------------|-----------|
| | | LFSC/M40 | LFSC/M80 | LFSC/M115 | LFSC/M80 | LFSC/M115 |
| Single Ended User I/O | | 604 | 660 | 660 | 904 | 942 |
| Differential Pair User I/O | | 302 | 330 | 330 | 452 | 470 |
| LVDS Output Pairs | | 78 | 102 | 102 | 114 | 132 |
| Configuration | Dedicated | 11 | 11 | 11 | 11 | 11 |
| | Muxes/MPI sysBus | 72 | 72 | 72 | 72 | 72 |
| JTAG (excluding VCCJ) | | 4 | 4 | 4 | 4 | 4 |
| Dedicated Pins | | 4 | 4 | 4 | 4 | 4 |
| VCC | | 44 | 44 | 44 | 76 | 76 |
| VCC12 | | 52 | 52 | 52 | 88 | 88 |
| VCCAUX | | 38 | 38 | 38 | 52 | 52 |
| VCCIO | Bank 1 | 10 | 10 | 10 | 10 | 10 |
| | Bank 2 | 9 | 9 | 9 | 12 | 12 |
| | Bank 3 | 12 | 12 | 12 | 14 | 14 |
| | Bank 4 | 12 | 12 | 12 | 14 | 14 |
| | Bank 5 | 12 | 12 | 12 | 14 | 14 |
| | Bank 6 | 12 | 12 | 12 | 14 | 14 |
| | Bank 7 | 9 | 9 | 9 | 12 | 12 |
| VTT | Bank 2 | 3 | 3 | 3 | 4 | 4 |
| | Bank 3 | 3 | 3 | 3 | 4 | 4 |
| | Bank 4 | 3 | 3 | 3 | 5 | 5 |
| | Bank 5 | 3 | 3 | 3 | 5 | 5 |
| | Bank 6 | 3 | 3 | 3 | 4 | 4 |
| | Bank 7 | 3 | 3 | 3 | 4 | 4 |
| GND | | 130 | 130 | 130 | 184 | 184 |
| NC | | 62 | 6 | 6 | 52 | 14 |
| Single Ended User / Differential I/O per Bank | Bank 1 | 80/40 | 80/40 | 80/40 | 80/40 | 80/40 |
| | Bank 2 | 60/30 | 76/38 | 76/38 | 96/48 | 103/51 |
| | Bank 3 | 96/48 | 108/54 | 108/54 | 132/66 | 144/72 |
| | Bank 4 | 106/53 | 106/53 | 106/53 | 184/92 | 184/92 |
| | Bank 5 | 106/53 | 106/53 | 106/53 | 184/92 | 184/92 |
| | Bank 6 | 96/48 | 108/54 | 108/54 | 132/66 | 144/72 |
| | Bank 7 | 60/30 | 76/38 | 76/38 | 96/48 | 103/51 |
| LVDS Output Pairs Per Bank | Bank 2 | 15 | 21 | 21 | 24 | 27 |
| | Bank 3 | 24 | 30 | 30 | 33 | 39 |
| | Bank 6 | 24 | 30 | 30 | 33 | 39 |
| | Bank 7 | 15 | 21 | 21 | 24 | 27 |
| VCCJ | | 1 | 1 | 1 | 1 | 1 |
| SERDES (signal + power supply) | | 108 | 108 | 108 | 212 | 212 |
| Total | | 1152 | 1152 | 1152 | 1704 | 1704 |

LFSC/M15 Logic Signal Connections: 256 fpBGA^{1,2}

| Ball Number | LFSC/M15 | | |
|-------------|---------------|------------|-----------------------------|
| | Ball Function | VCCIO Bank | Dual Function |
| E4 | A_VDDAX25_L | - | |
| B1 | A_REFCLKP_L | - | |
| C1 | A_REFCLKN_L | - | |
| D2 | RESP_ULC | - | |
| F5 | RESETN | 1 | |
| D1 | DONE | 1 | |
| E1 | INITN | 1 | |
| E2 | M0 | 1 | |
| E3 | M1 | 1 | |
| E5 | M2 | 1 | |
| E6 | M3 | 1 | |
| F2 | PL15A | 7 | ULC_PLLT_IN_A/ULC_PLLT_FB_B |
| F1 | PL15B | 7 | ULC_PLLC_IN_A/ULC_PLLC_FB_B |
| F3 | PL17A | 7 | ULC_DLLT_IN_C/ULC_DLLT_FB_D |
| G1 | PL17B | 7 | ULC_DLLC_IN_C/ULC_DLLC_FB_D |
| G4 | PL18D | 7 | VREF2_7 |
| H3 | PL22A | 7 | |
| H2 | PL22B | 7 | |
| H5 | PL22C | 7 | VREF1_7 |
| G5 | PL22D | 7 | DIFFR_7 |
| H1 | PL23A | 7 | PCLKT7_1 |
| J1 | PL23B | 7 | PCLKC7_1 |
| J2 | PL24A | 7 | PCLKT7_0 |
| J3 | PL24B | 7 | PCLKC7_0 |
| H4 | PL24C | 7 | PCLKT7_2 |
| H6 | PL24D | 7 | PCLKC7_2 |
| J4 | PL26A | 6 | PCLKT6_0 |
| K5 | PL26B | 6 | PCLKC6_0 |
| J5 | PL26C | 6 | PCLKT6_1 |
| J6 | PL26D | 6 | PCLKC6_1 |
| K1 | PL28A | 6 | |
| L1 | PL28B | 6 | |
| L4 | PL28C | 6 | PCLKT6_2 |
| K4 | PL28D | 6 | PCLKC6_2 |
| L2 | PL31C | 6 | VREF1_6 |
| L3 | PL35A | 6 | |
| M3 | PL35B | 6 | |
| M2 | PL35D | 6 | DIFFR_6 |
| M1 | PL37A | 6 | |
| N1 | PL37B | 6 | |
| P2 | PL41D | 6 | VREF2_6 |
| M5 | PL43A | 6 | |

LFSC/M15 Logic Signal Connections: 256 fpBGA^{1,2} (Cont.)

| Ball Number | LFSC/M15 | | |
|-------------|---------------|------------|-----------------------------|
| | Ball Function | VCCIO Bank | Dual Function |
| M4 | PL43B | 6 | |
| P1 | PL45A | 6 | LLC_DLLT_IN_F/LLC_DLLT_FB_E |
| R1 | PL45B | 6 | LLC_DLLC_IN_F/LLC_DLLC_FB_E |
| R2 | XRES | - | |
| P3 | TEMP | 6 | |
| R3 | PB3A | 5 | LLC_PLLT_IN_A/LLC_PLLT_FB_B |
| N4 | PB3B | 5 | LLC_PLLC_IN_A/LLC_PLLC_FB_B |
| T3 | PB3C | 5 | LLC_DLLT_IN_C/LLC_DLLT_FB_D |
| T2 | PB3D | 5 | LLC_DLLC_IN_C/LLC_DLLC_FB_D |
| N5 | PB5D | 5 | VREF1_5 |
| P5 | PB8A | 5 | |
| R5 | PB8B | 5 | |
| T4 | PB9A | 5 | |
| T5 | PB9B | 5 | |
| R6 | PB12A | 5 | PCLKT5_3 |
| T6 | PB12B | 5 | PCLKC5_3 |
| L5 | PB13C | 5 | |
| P6 | PB15A | 5 | PCLKT5_0 |
| T7 | PB15B | 5 | PCLKC5_0 |
| M7 | PB15D | 5 | VREF2_5 |
| R8 | PB16A | 5 | PCLKT5_1 |
| T8 | PB16B | 5 | PCLKC5_1 |
| N7 | PB17A | 5 | PCLKT5_2 |
| N8 | PB17B | 5 | PCLKC5_2 |
| R9 | PB20A | 5 | |
| T9 | PB20B | 5 | |
| M8 | PB21A | 5 | |
| M9 | PB21B | 5 | |
| P8 | PB24A | 5 | |
| P9 | PB24B | 5 | |
| T10 | PB28A | 4 | |
| R11 | PB28B | 4 | |
| N9 | PB31A | 4 | |
| N10 | PB31B | 4 | |
| T11 | PB32A | 4 | |
| R12 | PB32B | 4 | |
| P11 | PB35A | 4 | PCLKT4_2 |
| M10 | PB35B | 4 | PCLKC4_2 |
| T12 | PB36A | 4 | PCLKT4_1 |
| P12 | PB36B | 4 | PCLKC4_1 |
| T13 | PB37A | 4 | PCLKT4_0 |
| T14 | PB37B | 4 | PCLKC4_0 |
| R15 | PB37C | 4 | VREF2_4 |

LFSC/M15 Logic Signal Connections: 256 fpBGA^{1,2} (Cont.)

| Ball Number | LFSC/M15 | | |
|-------------|---------------|------------|-----------------------------|
| | Ball Function | VCCIO Bank | Dual Function |
| N12 | PB39C | 4 | |
| T15 | PB40A | 4 | PCLKT4_3 |
| R16 | PB40B | 4 | PCLKC4_3 |
| L12 | PB43A | 4 | |
| M12 | PB43B | 4 | |
| P16 | PB44A | 4 | |
| N16 | PB44B | 4 | |
| R14 | PB47C | 4 | VREF1_4 |
| P15 | PB48A | 4 | LRC_DLLT_IN_C/LRC_DLLT_FB_D |
| M13 | PB48B | 4 | LRC_DLLC_IN_C/LRC_DLLC_FB_D |
| N13 | PB49A | 4 | LRC_PLLT_IN_A/LRC_PLLT_FB_B |
| P14 | PB49B | 4 | LRC_PLLC_IN_A/LRC_PLLC_FB_B |
| M16 | PR45B | 3 | LRC_DLLC_IN_F/LRC_DLLC_FB_E |
| L16 | PR45A | 3 | LRC_DLLT_IN_F/LRC_DLLT_FB_E |
| M14 | PR43B | 3 | |
| M15 | PR43A | 3 | |
| K16 | PR41D | 3 | VREF2_3 |
| J16 | PR37B | 3 | |
| H16 | PR37A | 3 | |
| L13 | PR35D | 3 | DIFFR_3 |
| L14 | PR35B | 3 | |
| L15 | PR35A | 3 | |
| K12 | PR31C | 3 | VREF1_3 |
| J13 | PR28D | 3 | PCLKC3_2 |
| K13 | PR28C | 3 | PCLKT3_2 |
| H15 | PR28B | 3 | |
| F16 | PR28A | 3 | |
| J11 | PR26D | 3 | PCLKC3_1 |
| J12 | PR26C | 3 | PCLKT3_1 |
| J15 | PR26B | 3 | PCLKC3_0 |
| J14 | PR26A | 3 | PCLKT3_0 |
| E16 | PR24D | 2 | PCLKC2_2 |
| D16 | PR24C | 2 | PCLKT2_2 |
| H11 | PR24B | 2 | PCLKC2_0 |
| H12 | PR24A | 2 | PCLKT2_0 |
| H13 | PR23B | 2 | PCLKC2_1 |
| H14 | PR23A | 2 | PCLKT2_1 |
| G12 | PR22D | 2 | DIFFR_2 |
| G13 | PR22C | 2 | VREF1_2 |
| F8 | PR22B | 2 | |
| F9 | PR22A | 2 | |
| G16 | PR18D | 2 | VREF2_2 |
| F15 | PR17B | 2 | URC_DLLC_IN_C/URC_DLLC_FB_D |

LFSC/M15 Logic Signal Connections: 256 fpBGA^{1,2} (Cont.)

| Ball Number | LFSC/M15 | | |
|-------------|---------------|------------|-----------------------------|
| | Ball Function | VCCIO Bank | Dual Function |
| F14 | PR17A | 2 | URC_DLLT_IN_C/URC_DLLT_FB_D |
| E15 | PR15B | 2 | URC_PLLC_IN_A/URC_PLLC_FB_B |
| E14 | PR15A | 2 | URC_PLLT_IN_A/URC_PLLT_FB_B |
| D9 | VCCJ | - | |
| C16 | TDO | - | TDO |
| B15 | TMS | - | |
| B16 | TCK | - | |
| E13 | TDI | - | |
| C14 | PROGRAMN | 1 | |
| C15 | CCLK | 1 | |
| A15 | PT43D | 1 | HDC/SI |
| A14 | PT43C | 1 | LDCN/SCS |
| B14 | PT41A | 1 | CS1 |
| E12 | PT39B | 1 | CS0N |
| D13 | PT39A | 1 | RDN |
| D12 | PT37D | 1 | WRN |
| E10 | PT37C | 1 | D7 |
| C11 | PT37B | 1 | D6 |
| D10 | PT37A | 1 | D5 |
| A13 | PT36D | 1 | D4 |
| B12 | PT36C | 1 | D3 |
| A12 | PT35B | 1 | D2 |
| C12 | PT35A | 1 | D1 |
| A11 | PT33B | 1 | D0 |
| B11 | PT33A | 1 | QOUT/CEON |
| E9 | PT32D | 1 | VREF2_1 |
| E8 | PT32B | 1 | DOUT |
| D8 | PT28C | 1 | BUSYN/RCLK/SCK |
| A10 | PT27B | 1 | PCLKC1_0 |
| C10 | PT27A | 1 | PCLKT1_0 |
| E7 | PT21C | 1 | VREF1_1 |
| C9 | A_VDDIB3_L | - | |
| A9 | A_HDINP3_L | - | PCS 360 CH 3 IN P |
| B9 | A_HDINN3_L | - | PCS 360 CH 3 IN N |
| A8 | A_HDOUTP3_L | - | PCS 360 CH 3 OUT P |
| B8 | A_HDOUTN3_L | - | PCS 360 CH 3 OUT N |
| C8 | A_VDDOB3_L | - | |
| B7 | A_HDOUTN2_L | - | PCS 360 CH 2 OUT N |
| C7 | A_VDDOB2_L | - | |
| A7 | A_HDOUTP2_L | - | PCS 360 CH 2 OUT P |
| B6 | A_HDINN2_L | - | PCS 360 CH 2 IN N |
| A6 | A_HDINP2_L | - | PCS 360 CH 2 IN P |
| C6 | A_VDDIB2_L | - | |

LFSC/M15 Logic Signal Connections: 256 fpBGA^{1,2} (Cont.)

| Ball Number | LFSC/M15 | | |
|-------------|---------------|------------|--------------------|
| | Ball Function | VCCIO Bank | Dual Function |
| C5 | A_VDDIB1_L | - | |
| A5 | A_HDINP1_L | - | PCS 360 CH 1 IN P |
| B5 | A_HDINN1_L | - | PCS 360 CH 1 IN N |
| A4 | A_HDOUTP1_L | - | PCS 360 CH 1 OUT P |
| B4 | A_HDOUTN1_L | - | PCS 360 CH 1 OUT N |
| C4 | A_VDDOB1_L | - | |
| B3 | A_HDOUTN0_L | - | PCS 360 CH 0 OUT N |
| C3 | A_VDDOB0_L | - | |
| A3 | A_HDOUTP0_L | - | PCS 360 CH 0 OUT P |
| B2 | A_HDINN0_L | - | PCS 360 CH 0 IN N |
| A2 | A_HDINP0_L | - | PCS 360 CH 0 IN P |
| C2 | A_VDDIB0_L | - | |
| A1 | GND | - | |
| A16 | GND | - | |
| B10 | GND | - | |
| C13 | GND | - | |
| D15 | GND | - | |
| D3 | GND | - | |
| E11 | GND | - | |
| F13 | GND | - | |
| G14 | GND | - | |
| G2 | GND | - | |
| G8 | GND | - | |
| H10 | GND | - | |
| J7 | GND | - | |
| K15 | GND | - | |
| K3 | GND | - | |
| K9 | GND | - | |
| M6 | GND | - | |
| N11 | GND | - | |
| N14 | GND | - | |
| N2 | GND | - | |
| P10 | GND | - | |
| P4 | GND | - | |
| R13 | GND | - | |
| R7 | GND | - | |
| G10 | VCC | - | |
| G7 | VCC | - | |
| G9 | VCC | - | |
| H7 | VCC | - | |
| H8 | VCC | - | |
| H9 | VCC | - | |
| J10 | VCC | - | |
| J8 | VCC | - | |

LFSC/M15 Logic Signal Connections: 256 fpBGA^{1,2} (Cont.)

| Ball Number | LFSC/M15 | | |
|-------------|---------------|------------|---------------|
| | Ball Function | VCCIO Bank | Dual Function |
| J9 | VCC | - | |
| K8 | VCC | - | |
| F6 | VCC12 | - | |
| F11 | VCC12 | - | |
| L11 | VCC12 | - | |
| L6 | VCC12 | - | |
| K7 | VCC12 | - | |
| K10 | VCC12 | - | |
| F10 | VCCAUX | - | |
| F7 | VCCAUX | - | |
| T1 | GND | - | |
| G11 | VCCAUX | - | |
| K11 | VCCAUX | - | |
| L10 | VCCAUX | - | |
| L9 | VCCAUX | - | |
| L7 | VCCAUX | - | |
| L8 | VCCAUX | - | |
| T16 | GND | - | |
| G6 | VCCAUX | - | |
| K6 | VCCAUX | - | |
| B13 | VCCIO1 | - | |
| D11 | VCCIO1 | - | |
| D14 | VCCIO1 | - | |
| F12 | VCCIO2 | - | |
| G15 | VCCIO2 | - | |
| K14 | VCCIO3 | - | |
| N15 | VCCIO3 | - | |
| M11 | VCCIO4 | - | |
| P13 | VCCIO4 | - | |
| R10 | VCCIO4 | - | |
| N6 | VCCIO5 | - | |
| P7 | VCCIO5 | - | |
| R4 | VCCIO5 | - | |
| K2 | VCCIO6 | - | |
| N3 | VCCIO6 | - | |
| F4 | VCCIO7 | - | |
| G3 | VCCIO7 | - | |
| D4 | VCC12 | - | |
| D7 | VCC12 | - | |
| D5 | VCC12 | - | |
| D6 | VCC12 | - | |

1. Differential pair grouping within a PIC is A (True) and B (Complement) and C (True) and D (Complement).
 2. The LatticeSC/M15 in a 256-pin package does not support an MPI interface.

LFSC/M15, LFSC/M25 Logic Signal Connections: 900 fpBGA^{1,2}

| Ball Number | LFSC/M15 | | | LFSC/M25 | | |
|-------------|---------------|------------|-----------------------------|---------------|------------|-----------------------------|
| | Ball Function | VCCIO Bank | Dual Function | Ball Function | VCCIO Bank | Dual Function |
| F7 | A_VDDAX25_L | - | | A_VDDAX25_L | - | |
| B1 | A_REFCLKP_L | - | | A_REFCLKP_L | - | |
| C1 | A_REFCLKN_L | - | | A_REFCLKN_L | - | |
| D5 | VCC12 | - | | VCC12 | - | |
| A2 | RESP_ULC | - | | RESP_ULC | - | |
| E5 | VCC12 | - | | VCC12 | - | |
| D4 | VCC12 | - | | VCC12 | - | |
| H5 | RESETN | 1 | | RESETN | 1 | |
| H6 | TSALLN | 1 | | TSALLN | 1 | |
| G6 | DONE | 1 | | DONE | 1 | |
| G5 | INITN | 1 | | INITN | 1 | |
| F5 | M0 | 1 | | M0 | 1 | |
| F6 | M1 | 1 | | M1 | 1 | |
| F4 | M2 | 1 | | M2 | 1 | |
| E4 | M3 | 1 | | M3 | 1 | |
| D3 | PL15A | 7 | ULC_PLLT_IN_A/ULC_PLLT_FB_B | PL16A | 7 | ULC_PLLT_IN_A/ULC_PLLT_FB_B |
| D2 | PL15B | 7 | ULC_PLLC_IN_A/ULC_PLLC_FB_B | PL16B | 7 | ULC_PLLC_IN_A/ULC_PLLC_FB_B |
| J6 | PL15C | 7 | | PL16C | 7 | |
| J5 | PL15D | 7 | | PL16D | 7 | |
| E3 | PL17A | 7 | ULC_DLLT_IN_C/ULC_DLLT_FB_D | PL17A | 7 | ULC_DLLT_IN_C/ULC_DLLT_FB_D |
| E2 | PL17B | 7 | ULC_DLLC_IN_C/ULC_DLLC_FB_D | PL17B | 7 | ULC_DLLC_IN_C/ULC_DLLC_FB_D |
| K4 | PL17C | 7 | ULC_PLLT_IN_B/ULC_PLLT_FB_A | PL17C | 7 | ULC_PLLT_IN_B/ULC_PLLT_FB_A |
| J4 | PL17D | 7 | ULC_PLLC_IN_B/ULC_PLLC_FB_A | PL17D | 7 | ULC_PLLC_IN_B/ULC_PLLC_FB_A |
| F3 | PL18A | 7 | ULC_DLLT_IN_D/ULC_DLLT_FB_C | PL18A | 7 | ULC_DLLT_IN_D/ULC_DLLT_FB_C |
| G3 | PL18B | 7 | ULC_DLLC_IN_D/ULC_DLLC_FB_C | PL18B | 7 | ULC_DLLC_IN_D/ULC_DLLC_FB_C |
| K5 | PL18C | 7 | | PL18C | 7 | |
| K6 | PL18D | 7 | VREF2_7 | PL18D | 7 | VREF2_7 |
| F2 | PL19A | 7 | | PL22A | 7 | |
| F1 | PL19B | 7 | | PL22B | 7 | |
| E1 | PL19C | 7 | | PL22C | 7 | |
| D1 | PL19D | 7 | | PL22D | 7 | |
| K3 | PL22A | 7 | | PL25A | 7 | |
| L3 | PL22B | 7 | | PL25B | 7 | |
| L6 | PL22C | 7 | VREF1_7 | PL25C | 7 | VREF1_7 |
| M6 | PL22D | 7 | DIFFR_7 | PL25D | 7 | DIFFR_7 |
| J1 | PL23A | 7 | PCLKT7_1 | PL26A | 7 | PCLKT7_1 |
| K1 | PL23B | 7 | PCLKC7_1 | PL26B | 7 | PCLKC7_1 |
| L1 | PL24A | 7 | PCLKT7_0 | PL27A | 7 | PCLKT7_0 |
| M1 | PL24B | 7 | PCLKC7_0 | PL27B | 7 | PCLKC7_0 |
| P8 | PL24C | 7 | PCLKT7_2 | PL27C | 7 | PCLKT7_2 |
| R8 | PL24D | 7 | PCLKC7_2 | PL27D | 7 | PCLKC7_2 |
| N2 | PL26A | 6 | PCLKT6_0 | PL29A | 6 | PCLKT6_0 |
| N1 | PL26B | 6 | PCLKC6_0 | PL29B | 6 | PCLKC6_0 |
| R7 | PL26C | 6 | PCLKT6_1 | PL29C | 6 | PCLKT6_1 |
| R6 | PL26D | 6 | PCLKC6_1 | PL29D | 6 | PCLKC6_1 |

LFSC/M15, LFSC/M25 Logic Signal Connections: 900 fpBGA^{1,2} (Cont.)

| Ball Number | LFSC/M15 | | | LFSC/M25 | | |
|-------------|---------------|------------|-----------------------------|---------------|------------|-----------------------------|
| | Ball Function | VCCIO Bank | Dual Function | Ball Function | VCCIO Bank | Dual Function |
| N3 | PL27A | 6 | | PL30A | 6 | |
| P3 | PL27B | 6 | | PL30B | 6 | |
| P4 | PL27C | 6 | PCLKT6_3 | PL30C | 6 | PCLKT6_3 |
| P2 | PL28A | 6 | | PL31A | 6 | |
| R2 | PL28B | 6 | | PL31B | 6 | |
| T3 | PL28C | 6 | PCLKT6_2 | PL31C | 6 | PCLKT6_2 |
| R3 | PL28D | 6 | PCLKC6_2 | PL31D | 6 | PCLKC6_2 |
| P1 | PL31A | 6 | | PL34A | 6 | |
| R1 | PL31B | 6 | | PL34B | 6 | |
| R5 | PL31C | 6 | VREF1_6 | PL34C | 6 | VREF1_6 |
| R4 | PL31D | 6 | | PL34D | 6 | |
| T2 | PL32A | 6 | | PL35A | 6 | |
| U2 | PL32B | 6 | | PL35B | 6 | |
| T1 | PL33A | 6 | | PL38A | 6 | |
| U1 | PL33B | 6 | | PL38B | 6 | |
| V1 | PL35A | 6 | | PL42A | 6 | |
| W1 | PL35B | 6 | | PL42B | 6 | |
| V6 | PL35D | 6 | DIFFR_6 | PL42D | 6 | DIFFR_6 |
| V2 | PL36A | 6 | | PL43A | 6 | |
| W2 | PL36B | 6 | | PL43B | 6 | |
| Y1 | PL37A | 6 | | PL44A | 6 | |
| AA1 | PL37B | 6 | | PL44B | 6 | |
| AB1 | PL39A | 6 | | PL48A | 6 | |
| AC1 | PL39B | 6 | | PL48B | 6 | |
| Y5 | PL40A | 6 | | PL49A | 6 | |
| Y6 | PL40B | 6 | | PL49B | 6 | |
| AD2 | PL41A | 6 | | PL51A | 6 | |
| AE2 | PL41B | 6 | | PL51B | 6 | |
| AB5 | PL41D | 6 | VREF2_6 | PL51D | 6 | VREF2_6 |
| AC3 | PL43A | 6 | | PL52A | 6 | |
| AD3 | PL43B | 6 | | PL52B | 6 | |
| AF1 | PL44A | 6 | | PL55A | 6 | |
| AG1 | PL44B | 6 | | PL55B | 6 | |
| AB6 | PL44C | 6 | LLC_DLLT_IN_E/LLC_DLLT_FB_F | PL55C | 6 | LLC_DLLT_IN_E/LLC_DLLT_FB_F |
| AC5 | PL44D | 6 | LLC_DLLC_IN_E/LLC_DLLC_FB_F | PL55D | 6 | LLC_DLLC_IN_E/LLC_DLLC_FB_F |
| AF2 | PL45A | 6 | LLC_DLLT_IN_F/LLC_DLLT_FB_E | PL57A | 6 | LLC_DLLT_IN_F/LLC_DLLT_FB_E |
| AG2 | PL45B | 6 | LLC_DLLC_IN_F/LLC_DLLC_FB_E | PL57B | 6 | LLC_DLLC_IN_F/LLC_DLLC_FB_E |
| AC6 | PL45C | 6 | LLC_PLLT_IN_B/LLC_PLLT_FB_A | PL57C | 6 | LLC_PLLT_IN_B/LLC_PLLT_FB_A |
| AC7 | PL45D | 6 | LLC_PLLC_IN_B/LLC_PLLC_FB_A | PL57D | 6 | LLC_PLLC_IN_B/LLC_PLLC_FB_A |
| AE4 | XRES | - | | XRES | - | |
| AG4 | VCC12 | - | | VCC12 | - | |
| AD5 | TEMP | 6 | | TEMP | 6 | |
| AF5 | VCC12 | - | | VCC12 | - | |
| AH1 | PB3A | 5 | LLC_PLLT_IN_A/LLC_PLLT_FB_B | PB3A | 5 | LLC_PLLT_IN_A/LLC_PLLT_FB_B |
| AJ1 | PB3B | 5 | LLC_PLLC_IN_A/LLC_PLLC_FB_B | PB3B | 5 | LLC_PLLC_IN_A/LLC_PLLC_FB_B |

LFSC/M15, LFSC/M25 Logic Signal Connections: 900 fpBGA^{1,2} (Cont.)

| Ball Number | LFSC/M15 | | | LFSC/M25 | | |
|-------------|---------------|------------|-----------------------------|---------------|------------|-----------------------------|
| | Ball Function | VCCIO Bank | Dual Function | Ball Function | VCCIO Bank | Dual Function |
| AF4 | PB3C | 5 | LLC_DLLT_IN_C/LLC_DLLT_FB_D | PB3C | 5 | LLC_DLLT_IN_C/LLC_DLLT_FB_D |
| AE5 | PB3D | 5 | LLC_DLLC_IN_C/LLC_DLLC_FB_D | PB3D | 5 | LLC_DLLC_IN_C/LLC_DLLC_FB_D |
| AG3 | PB4A | 5 | LLC_DLLT_IN_D/LLC_DLLT_FB_C | PB4A | 5 | LLC_DLLT_IN_D/LLC_DLLT_FB_C |
| AH2 | PB4B | 5 | LLC_DLLC_IN_D/LLC_DLLC_FB_C | PB4B | 5 | LLC_DLLC_IN_D/LLC_DLLC_FB_C |
| AD6 | PB4C | 5 | | PB4C | 5 | |
| AJ2 | PB5A | 5 | | PB5A | 5 | |
| AK2 | PB5B | 5 | | PB5B | 5 | |
| AD7 | PB5C | 5 | | PB5C | 5 | |
| AD8 | PB5D | 5 | VREF1_5 | PB5D | 5 | VREF1_5 |
| AH3 | PB7A | 5 | | PB11A | 5 | |
| AJ3 | PB7B | 5 | | PB11B | 5 | |
| AF9 | PB7C | 5 | | PB11C | 5 | |
| AE10 | PB7D | 5 | | PB11D | 5 | |
| AK3 | PB8A | 5 | | PB12A | 5 | |
| AJ4 | PB8B | 5 | | PB12B | 5 | |
| AE11 | PB9A | 5 | | PB13A | 5 | |
| AF10 | PB9B | 5 | | PB13B | 5 | |
| AK4 | PB11A | 5 | | PB16A | 5 | |
| AK5 | PB11B | 5 | | PB16B | 5 | |
| AH10 | PB12A | 5 | PCLKT5_3 | PB20A | 5 | PCLKT5_3 |
| AH11 | PB12B | 5 | PCLKC5_3 | PB20B | 5 | PCLKC5_3 |
| AF13 | PB12C | 5 | PCLKT5_4 | PB20C | 5 | PCLKT5_4 |
| AE14 | PB12D | 5 | PCLKC5_4 | PB20D | 5 | PCLKC5_4 |
| AK6 | PB13A | 5 | PCLKT5_5 | PB21A | 5 | PCLKT5_5 |
| AK7 | PB13B | 5 | PCLKC5_5 | PB21B | 5 | PCLKC5_5 |
| AF14 | PB13C | 5 | | PB21C | 5 | |
| AJ11 | PB15A | 5 | PCLKT5_0 | PB23A | 5 | PCLKT5_0 |
| AJ12 | PB15B | 5 | PCLKC5_0 | PB23B | 5 | PCLKC5_0 |
| AH13 | PB15D | 5 | VREF2_5 | PB23D | 5 | VREF2_5 |
| AK8 | PB16A | 5 | PCLKT5_1 | PB24A | 5 | PCLKT5_1 |
| AK9 | PB16B | 5 | PCLKC5_1 | PB24B | 5 | PCLKC5_1 |
| AH14 | PB17A | 5 | PCLKT5_2 | PB25A | 5 | PCLKT5_2 |
| AG14 | PB17B | 5 | PCLKC5_2 | PB25B | 5 | PCLKC5_2 |
| AK10 | PB19A | 5 | | PB28A | 5 | |
| AK11 | PB19B | 5 | | PB28B | 5 | |
| AH15 | PB20A | 5 | | PB29A | 5 | |
| AG15 | PB20B | 5 | | PB29B | 5 | |
| AH12 | PB21A | 5 | | PB31A | 5 | |
| AJ13 | PB21B | 5 | | PB31B | 5 | |
| AD15 | PB21C | 5 | | PB31C | 5 | |
| AE15 | PB21D | 5 | | PB31D | 5 | |
| AK12 | PB23A | 5 | | PB32A | 5 | |
| AK13 | PB23B | 5 | | PB32B | 5 | |
| AJ14 | PB24A | 5 | | PB33A | 5 | |
| AJ15 | PB24B | 5 | | PB33B | 5 | |

LFSC/M15, LFSC/M25 Logic Signal Connections: 900 fpBGA^{1,2} (Cont.)

| Ball Number | LFSC/M15 | | | LFSC/M25 | | |
|-------------|---------------|------------|-----------------------------|---------------|------------|-----------------------------|
| | Ball Function | VCCIO Bank | Dual Function | Ball Function | VCCIO Bank | Dual Function |
| AK14 | PB25A | 5 | | PB35A | 5 | |
| AK15 | PB25B | 5 | | PB35B | 5 | |
| AK16 | PB27A | 4 | | PB37A | 4 | |
| AK17 | PB27B | 4 | | PB37B | 4 | |
| AJ16 | PB28A | 4 | | PB38A | 4 | |
| AJ17 | PB28B | 4 | | PB38B | 4 | |
| AE16 | PB28C | 4 | | PB38C | 4 | |
| AH16 | PB29A | 4 | | PB39A | 4 | |
| AG16 | PB29B | 4 | | PB39B | 4 | |
| AK18 | PB31A | 4 | | PB41A | 4 | |
| AK19 | PB31B | 4 | | PB41B | 4 | |
| AH17 | PB32A | 4 | | PB42A | 4 | |
| AH18 | PB32B | 4 | | PB42B | 4 | |
| AG17 | PB32D | 4 | | PB42D | 4 | |
| AJ18 | PB33A | 4 | | PB43A | 4 | |
| AJ19 | PB33B | 4 | | PB43B | 4 | |
| AK20 | PB35A | 4 | PCLKT4_2 | PB46A | 4 | PCLKT4_2 |
| AK21 | PB35B | 4 | PCLKC4_2 | PB46B | 4 | PCLKC4_2 |
| AF18 | PB36A | 4 | PCLKT4_1 | PB47A | 4 | PCLKT4_1 |
| AG18 | PB36B | 4 | PCLKC4_1 | PB47B | 4 | PCLKC4_1 |
| AJ20 | PB37A | 4 | PCLKT4_0 | PB49A | 4 | PCLKT4_0 |
| AJ21 | PB37B | 4 | PCLKC4_0 | PB49B | 4 | PCLKC4_0 |
| AG19 | PB37C | 4 | VREF2_4 | PB49C | 4 | VREF2_4 |
| AK22 | PB39A | 4 | PCLKT4_5 | PB51A | 4 | PCLKT4_5 |
| AK23 | PB39B | 4 | PCLKC4_5 | PB51B | 4 | PCLKC4_5 |
| AH19 | PB39C | 4 | | PB51C | 4 | |
| AK24 | PB40A | 4 | PCLKT4_3 | PB52A | 4 | PCLKT4_3 |
| AK25 | PB40B | 4 | PCLKC4_3 | PB52B | 4 | PCLKC4_3 |
| AE19 | PB40C | 4 | PCLKT4_4 | PB52C | 4 | PCLKT4_4 |
| AE20 | PB40D | 4 | PCLKC4_4 | PB52D | 4 | PCLKC4_4 |
| AE21 | PB41A | 4 | | PB53A | 4 | |
| AF21 | PB41B | 4 | | PB53B | 4 | |
| AG21 | PB43A | 4 | | PB55A | 4 | |
| AG22 | PB43B | 4 | | PB55B | 4 | |
| AH22 | PB44A | 4 | | PB56A | 4 | |
| AH23 | PB44B | 4 | | PB56B | 4 | |
| AH21 | PB44C | 4 | | PB56C | 4 | |
| AK28 | PB45A | 4 | | PB60A | 4 | |
| AK29 | PB45B | 4 | | PB60B | 4 | |
| AE22 | PB45C | 4 | | PB60C | 4 | |
| AJ28 | PB47A | 4 | | PB67A | 4 | |
| AH28 | PB47B | 4 | | PB67B | 4 | |
| AE24 | PB47C | 4 | VREF1_4 | PB67C | 4 | VREF1_4 |
| AE25 | PB47D | 4 | | PB67D | 4 | |
| AJ29 | PB48A | 4 | LRC_DLLT_IN_C/LRC_DLLT_FB_D | PB68A | 4 | LRC_DLLT_IN_C/LRC_DLLT_FB_D |

LFSC/M15, LFSC/M25 Logic Signal Connections: 900 fpBGA^{1,2} (Cont.)

| Ball Number | LFSC/M15 | | | LFSC/M25 | | |
|-------------|---------------|------------|-----------------------------|---------------|------------|-----------------------------|
| | Ball Function | VCCIO Bank | Dual Function | Ball Function | VCCIO Bank | Dual Function |
| AH29 | PB48B | 4 | LRC_DLLC_IN_C/LRC_DLLC_FB_D | PB68B | 4 | LRC_DLLC_IN_C/LRC_DLLC_FB_D |
| AE26 | PB48C | 4 | | PB68C | 4 | |
| AD25 | PB48D | 4 | | PB68D | 4 | |
| AJ30 | PB49A | 4 | LRC_PLLT_IN_A/LRC_PLLT_FB_B | PB69A | 4 | LRC_PLLT_IN_A/LRC_PLLT_FB_B |
| AH30 | PB49B | 4 | LRC_PLLC_IN_A/LRC_PLLC_FB_B | PB69B | 4 | LRC_PLLC_IN_A/LRC_PLLC_FB_B |
| AG28 | PB49C | 4 | LRC_DLLT_IN_D/LRC_DLLT_FB_C | PB69C | 4 | LRC_DLLT_IN_D/LRC_DLLT_FB_C |
| AG29 | PB49D | 4 | LRC_DLLC_IN_D/LRC_DLLC_FB_C | PB69D | 4 | LRC_DLLC_IN_D/LRC_DLLC_FB_C |
| AF26 | VCC12 | - | | VCC12 | - | |
| AD27 | PROBE_VCC | - | | PROBE_VCC | - | |
| AG27 | VCC12 | - | | VCC12 | - | |
| AE28 | PROBE_GND | - | | PROBE_GND | - | |
| AC25 | PR45D | 3 | LRC_PLLC_IN_B/LRC_PLLC_FB_A | PR57D | 3 | LRC_PLLC_IN_B/LRC_PLLC_FB_A |
| AD26 | PR45C | 3 | LRC_PLLT_IN_B/LRC_PLLT_FB_A | PR57C | 3 | LRC_PLLT_IN_B/LRC_PLLT_FB_A |
| AF28 | PR45B | 3 | LRC_DLLC_IN_F/LRC_DLLC_FB_E | PR57B | 3 | LRC_DLLC_IN_F/LRC_DLLC_FB_E |
| AF29 | PR45A | 3 | LRC_DLLT_IN_F/LRC_DLLT_FB_E | PR57A | 3 | LRC_DLLT_IN_F/LRC_DLLT_FB_E |
| AC26 | PR44D | 3 | LRC_DLLC_IN_E/LRC_DLLC_FB_F | PR55D | 3 | LRC_DLLC_IN_E/LRC_DLLC_FB_F |
| AB26 | PR44C | 3 | LRC_DLLT_IN_E/LRC_DLLT_FB_F | PR55C | 3 | LRC_DLLT_IN_E/LRC_DLLT_FB_F |
| AG30 | PR44B | 3 | | PR55B | 3 | |
| AF30 | PR44A | 3 | | PR55A | 3 | |
| AC28 | PR43B | 3 | | PR52B | 3 | |
| AB28 | PR43A | 3 | | PR52A | 3 | |
| AB27 | PR41D | 3 | VREF2_3 | PR51D | 3 | VREF2_3 |
| AE30 | PR41B | 3 | | PR51B | 3 | |
| AD30 | PR41A | 3 | | PR51A | 3 | |
| AB25 | PR40B | 3 | | PR49B | 3 | |
| AA25 | PR40A | 3 | | PR49A | 3 | |
| AA30 | PR39B | 3 | | PR48B | 3 | |
| Y30 | PR39A | 3 | | PR48A | 3 | |
| W29 | PR37B | 3 | | PR44B | 3 | |
| V29 | PR37A | 3 | | PR44A | 3 | |
| U30 | PR36B | 3 | | PR43B | 3 | |
| T30 | PR36A | 3 | | PR43A | 3 | |
| V25 | PR35D | 3 | DIFFR_3 | PR42D | 3 | DIFFR_3 |
| W28 | PR35B | 3 | | PR42B | 3 | |
| V28 | PR35A | 3 | | PR42A | 3 | |
| R30 | PR33B | 3 | | PR38B | 3 | |
| P30 | PR33A | 3 | | PR38A | 3 | |
| N30 | PR32B | 3 | | PR35B | 3 | |
| M29 | PR32A | 3 | | PR35A | 3 | |
| U26 | PR31D | 3 | | PR34D | 3 | |
| T26 | PR31C | 3 | VREF1_3 | PR34C | 3 | VREF1_3 |
| U28 | PR31B | 3 | | PR34B | 3 | |
| T28 | PR31A | 3 | | PR34A | 3 | |
| M30 | PR28D | 3 | PCLKC3_2 | PR31D | 3 | PCLKC3_2 |
| L29 | PR28C | 3 | PCLKT3_2 | PR31C | 3 | PCLKT3_2 |

LFSC/M15, LFSC/M25 Logic Signal Connections: 900 fpBGA^{1,2} (Cont.)

| Ball Number | LFSC/M15 | | | LFSC/M25 | | |
|-------------|---------------|------------|-----------------------------|---------------|------------|-----------------------------|
| | Ball Function | VCCIO Bank | Dual Function | Ball Function | VCCIO Bank | Dual Function |
| R29 | PR28B | 3 | | PR31B | 3 | |
| P29 | PR28A | 3 | | PR31A | 3 | |
| P27 | PR27C | 3 | PCLKT3_3 | PR30C | 3 | PCLKT3_3 |
| N29 | PR27B | 3 | | PR30B | 3 | |
| N28 | PR27A | 3 | | PR30A | 3 | |
| R25 | PR26D | 3 | PCLKC3_1 | PR29D | 3 | PCLKC3_1 |
| R26 | PR26C | 3 | PCLKT3_1 | PR29C | 3 | PCLKT3_1 |
| R28 | PR26B | 3 | PCLKC3_0 | PR29B | 3 | PCLKC3_0 |
| P28 | PR26A | 3 | PCLKT3_0 | PR29A | 3 | PCLKT3_0 |
| N27 | PR24D | 2 | PCLKC2_2 | PR27D | 2 | PCLKC2_2 |
| P26 | PR24C | 2 | PCLKT2_2 | PR27C | 2 | PCLKT2_2 |
| L30 | PR24B | 2 | PCLKC2_0 | PR27B | 2 | PCLKC2_0 |
| K30 | PR24A | 2 | PCLKT2_0 | PR27A | 2 | PCLKT2_0 |
| J30 | PR23B | 2 | PCLKC2_1 | PR26B | 2 | PCLKC2_1 |
| H30 | PR23A | 2 | PCLKT2_1 | PR26A | 2 | PCLKT2_1 |
| M26 | PR22D | 2 | DIFFR_2 | PR25D | 2 | DIFFR_2 |
| M25 | PR22C | 2 | VREF1_2 | PR25C | 2 | VREF1_2 |
| G29 | PR22B | 2 | | PR25B | 2 | |
| F29 | PR22A | 2 | | PR25A | 2 | |
| H28 | PR19D | 2 | | PR22D | 2 | |
| J28 | PR19C | 2 | | PR22C | 2 | |
| E30 | PR19B | 2 | | PR22B | 2 | |
| E29 | PR19A | 2 | | PR22A | 2 | |
| L26 | PR18D | 2 | VREF2_2 | PR18D | 2 | VREF2_2 |
| L25 | PR18C | 2 | | PR18C | 2 | |
| F28 | PR18B | 2 | URC_DLLC_IN_D/URC_DLLC_FB_C | PR18B | 2 | URC_DLLC_IN_D/URC_DLLC_FB_C |
| G28 | PR18A | 2 | URC_DLLT_IN_D/URC_DLLT_FB_C | PR18A | 2 | URC_DLLT_IN_D/URC_DLLT_FB_C |
| K26 | PR17D | 2 | URC_PLLC_IN_B/URC_PLLC_FB_A | PR17D | 2 | URC_PLLC_IN_B/URC_PLLC_FB_A |
| K25 | PR17C | 2 | URC_PLLT_IN_B/URC_PLLT_FB_A | PR17C | 2 | URC_PLLT_IN_B/URC_PLLT_FB_A |
| D30 | PR17B | 2 | URC_DLLC_IN_C/URC_DLLC_FB_D | PR17B | 2 | URC_DLLC_IN_C/URC_DLLC_FB_D |
| D29 | PR17A | 2 | URC_DLLT_IN_C/URC_DLLT_FB_D | PR17A | 2 | URC_DLLT_IN_C/URC_DLLT_FB_D |
| G26 | PR15D | 2 | | PR16D | 2 | |
| H26 | PR15C | 2 | | PR16C | 2 | |
| E28 | PR15B | 2 | URC_PLLC_IN_A/URC_PLLC_FB_B | PR16B | 2 | URC_PLLC_IN_A/URC_PLLC_FB_B |
| D28 | PR15A | 2 | URC_PLLT_IN_A/URC_PLLT_FB_B | PR16A | 2 | URC_PLLT_IN_A/URC_PLLT_FB_B |
| J25 | VCCJ | - | | VCCJ | - | |
| H25 | TDO | - | TDO | TDO | - | TDO |
| J26 | TMS | - | | TMS | - | |
| G25 | TCK | - | | TCK | - | |
| G24 | TDI | - | | TDI | - | |
| F26 | PROGRAMN | 1 | | PROGRAMN | 1 | |
| H24 | MPIIRQN | 1 | CFGIRQN/MPI_IRQ_N | MPIIRQN | 1 | CFGIRQN/MPI_IRQ_N |
| F25 | CCLK | 1 | | CCLK | 1 | |
| D27 | VCC12 | - | | VCC12 | - | |
| E26 | VCC12 | - | | VCC12 | - | |

LFSC/M15, LFSC/M25 Logic Signal Connections: 900 fpBGA^{1,2} (Cont.)

| Ball Number | LFSC/M15 | | | LFSC/M25 | | |
|-------------|---------------|------------|--------------------|---------------|------------|--------------------|
| | Ball Function | VCCIO Bank | Dual Function | Ball Function | VCCIO Bank | Dual Function |
| A29 | RESP_URC | - | | RESP_URC | - | |
| D26 | VCC12 | - | | VCC12 | - | |
| C30 | A_REFCLKN_R | - | | A_REFCLKN_R | - | |
| B30 | A_REFCLKP_R | - | | A_REFCLKP_R | - | |
| F24 | A_VDDAX25_R | - | | A_VDDAX25_R | - | |
| D25 | VCC12 | - | | VCC12 | - | |
| C28 | A_VDDIB0_R | - | | A_VDDIB0_R | - | |
| B28 | A_HDINP0_R | - | PCS 3E0 CH 0 IN P | A_HDINP0_R | - | PCS 3E0 CH 0 IN P |
| B27 | A_HDINN0_R | - | PCS 3E0 CH 0 IN N | A_HDINN0_R | - | PCS 3E0 CH 0 IN N |
| E25 | VCC12 | - | | VCC12 | - | |
| A28 | A_HDOUTP0_R | - | PCS 3E0 CH 0 OUT P | A_HDOUTP0_R | - | PCS 3E0 CH 0 OUT P |
| C27 | A_VDDOB0_R | - | | A_VDDOB0_R | - | |
| A27 | A_HDOUTN0_R | - | PCS 3E0 CH 0 OUT N | A_HDOUTN0_R | - | PCS 3E0 CH 0 OUT N |
| C26 | A_VDDOB1_R | - | | A_VDDOB1_R | - | |
| A26 | A_HDOUTN1_R | - | PCS 3E0 CH 1 OUT N | A_HDOUTN1_R | - | PCS 3E0 CH 1 OUT N |
| D24 | VCC12 | - | | VCC12 | - | |
| A25 | A_HDOUTP1_R | - | PCS 3E0 CH 1 OUT P | A_HDOUTP1_R | - | PCS 3E0 CH 1 OUT P |
| B26 | A_HDINN1_R | - | PCS 3E0 CH 1 IN N | A_HDINN1_R | - | PCS 3E0 CH 1 IN N |
| B25 | A_HDINP1_R | - | PCS 3E0 CH 1 IN P | A_HDINP1_R | - | PCS 3E0 CH 1 IN P |
| E24 | VCC12 | - | | VCC12 | - | |
| C25 | A_VDDIB1_R | - | | A_VDDIB1_R | - | |
| D23 | VCC12 | - | | VCC12 | - | |
| C24 | A_VDDIB2_R | - | | A_VDDIB2_R | - | |
| B24 | A_HDINP2_R | - | PCS 3E0 CH 2 IN P | A_HDINP2_R | - | PCS 3E0 CH 2 IN P |
| B23 | A_HDINN2_R | - | PCS 3E0 CH 2 IN N | A_HDINN2_R | - | PCS 3E0 CH 2 IN N |
| E23 | VCC12 | - | | VCC12 | - | |
| A24 | A_HDOUTP2_R | - | PCS 3E0 CH 2 OUT P | A_HDOUTP2_R | - | PCS 3E0 CH 2 OUT P |
| C23 | A_VDDOB2_R | - | | A_VDDOB2_R | - | |
| A23 | A_HDOUTN2_R | - | PCS 3E0 CH 2 OUT N | A_HDOUTN2_R | - | PCS 3E0 CH 2 OUT N |
| C22 | A_VDDOB3_R | - | | A_VDDOB3_R | - | |
| A22 | A_HDOUTN3_R | - | PCS 3E0 CH 3 OUT N | A_HDOUTN3_R | - | PCS 3E0 CH 3 OUT N |
| D22 | VCC12 | - | | VCC12 | - | |
| A21 | A_HDOUTP3_R | - | PCS 3E0 CH 3 OUT P | A_HDOUTP3_R | - | PCS 3E0 CH 3 OUT P |
| B22 | A_HDINN3_R | - | PCS 3E0 CH 3 IN N | A_HDINN3_R | - | PCS 3E0 CH 3 IN N |
| B21 | A_HDINP3_R | - | PCS 3E0 CH 3 IN P | A_HDINP3_R | - | PCS 3E0 CH 3 IN P |
| E22 | VCC12 | - | | VCC12 | - | |
| C21 | A_VDDIB3_R | - | | A_VDDIB3_R | - | |
| G22 | PT43D | 1 | HDC/SI | PT49D | 1 | HDC/SI |
| F22 | PT43C | 1 | LDCN/SCS | PT49C | 1 | LDCN/SCS |
| B20 | PT41B | 1 | D8/MPI_DATA8 | PT49B | 1 | D8/MPI_DATA8 |
| B19 | PT41A | 1 | CS1/MPI_CS1 | PT49A | 1 | CS1/MPI_CS1 |
| A20 | PT40D | 1 | D9/MPI_DATA9 | PT47D | 1 | D9/MPI_DATA9 |
| A19 | PT40C | 1 | D10/MPI_DATA10 | PT47C | 1 | D10/MPI_DATA10 |
| D19 | PT39B | 1 | CS0N/MPI_CS0N | PT47B | 1 | CS0N/MPI_CS0N |
| D18 | PT39A | 1 | RDN/MPI_STRB_N | PT47A | 1 | RDN/MPI_STRB_N |

LFSC/M15, LFSC/M25 Logic Signal Connections: 900 fpBGA^{1,2} (Cont.)

| Ball Number | LFSC/M15 | | | LFSC/M25 | | |
|-------------|---------------|------------|-----------------------|---------------|------------|-----------------------|
| | Ball Function | VCCIO Bank | Dual Function | Ball Function | VCCIO Bank | Dual Function |
| F19 | PT37D | 1 | WRN/MPI_WR_N | PT46D | 1 | WRN/MPI_WR_N |
| F18 | PT37C | 1 | D7/MPI_DATA7 | PT46C | 1 | D7/MPI_DATA7 |
| C18 | PT37B | 1 | D6/MPI_DATA6 | PT46B | 1 | D6/MPI_DATA6 |
| C17 | PT37A | 1 | D5/MPI_DATA5 | PT46A | 1 | D5/MPI_DATA5 |
| E17 | PT36D | 1 | D4/MPI_DATA4 | PT45D | 1 | D4/MPI_DATA4 |
| E16 | PT36C | 1 | D3/MPI_DATA3 | PT45C | 1 | D3/MPI_DATA3 |
| G18 | PT35B | 1 | D2/MPI_DATA2 | PT45B | 1 | D2/MPI_DATA2 |
| G17 | PT35A | 1 | D1/MPI_DATA1 | PT45A | 1 | D1/MPI_DATA1 |
| B18 | PT33B | 1 | D0/MPI_DATA0 | PT43B | 1 | D0/MPI_DATA0 |
| B17 | PT33A | 1 | QOUT/CEON | PT43A | 1 | QOUT/CEON |
| G16 | PT32D | 1 | VREF2_1 | PT42D | 1 | VREF2_1 |
| A18 | PT32B | 1 | DOUT | PT42B | 1 | DOUT |
| A17 | PT32A | 1 | MCA_DONE_IN | PT42A | 1 | MCA_DONE_IN |
| H18 | PT31B | 1 | MCA_CLK_P1_OUT | PT41B | 1 | MCA_CLK_P1_OUT |
| H17 | PT31A | 1 | MCA_CLK_P1_IN | PT41A | 1 | MCA_CLK_P1_IN |
| D17 | PT29B | 1 | MCA_CLK_P2_OUT | PT39B | 1 | MCA_CLK_P2_OUT |
| D16 | PT29A | 1 | MCA_CLK_P2_IN | PT39A | 1 | MCA_CLK_P2_IN |
| F17 | PT28D | 1 | MCA_DONE_OUT | PT38D | 1 | MCA_DONE_OUT |
| F16 | PT28C | 1 | BUSYN/RCLK/SCK | PT38C | 1 | BUSYN/RCLK/SCK |
| C16 | PT28B | 1 | DP0/MPI_PAR0 | PT38B | 1 | DP0/MPI_PAR0 |
| C15 | PT28A | 1 | MPI_TA | PT38A | 1 | MPI_TA |
| B16 | PT27B | 1 | PCLKC1_0 | PT37B | 1 | PCLKC1_0 |
| B15 | PT27A | 1 | PCLKT1_0/MPI_CLK | PT37A | 1 | PCLKT1_0/MPI_CLK |
| H16 | PT25D | 1 | DP3/PCLKC1_4/MPI_PAR3 | PT35D | 1 | DP3/PCLKC1_4/MPI_PAR3 |
| A16 | PT25B | 1 | MPI_RETRY | PT35B | 1 | MPI_RETRY |
| A15 | PT25A | 1 | A0/MPI_ADDR14 | PT35A | 1 | A0/MPI_ADDR14 |
| G15 | PT24D | 1 | A1/MPI_ADDR15 | PT33D | 1 | A1/MPI_ADDR15 |
| F15 | PT24C | 1 | A2/MPI_ADDR16 | PT33C | 1 | A2/MPI_ADDR16 |
| E15 | PT24B | 1 | A3/MPI_ADDR17 | PT33B | 1 | A3/MPI_ADDR17 |
| D15 | PT24A | 1 | A4/MPI_ADDR18 | PT33A | 1 | A4/MPI_ADDR18 |
| C14 | PT23B | 1 | A5/MPI_ADDR19 | PT32B | 1 | A5/MPI_ADDR19 |
| C13 | PT23A | 1 | A6/MPI_ADDR20 | PT32A | 1 | A6/MPI_ADDR20 |
| H14 | PT21C | 1 | VREF1_1 | PT31C | 1 | VREF1_1 |
| B14 | PT21B | 1 | A7/MPI_ADDR21 | PT31B | 1 | A7/MPI_ADDR21 |
| B13 | PT21A | 1 | A8/MPI_ADDR22 | PT31A | 1 | A8/MPI_ADDR22 |
| G14 | PT20B | 1 | A9/MPI_ADDR23 | PT29B | 1 | A9/MPI_ADDR23 |
| F14 | PT20A | 1 | A10/MPI_ADDR24 | PT29A | 1 | A10/MPI_ADDR24 |
| A14 | PT19B | 1 | A11/MPI_ADDR25 | PT28B | 1 | A11/MPI_ADDR25 |
| A13 | PT19A | 1 | A12/MPI_ADDR26 | PT28A | 1 | A12/MPI_ADDR26 |
| G13 | PT17D | 1 | D11/MPI_DATA11 | PT27D | 1 | D11/MPI_DATA11 |
| H13 | PT17C | 1 | D12/MPI_DATA12 | PT27C | 1 | D12/MPI_DATA12 |
| E14 | PT17B | 1 | A13/MPI_ADDR27 | PT27B | 1 | A13/MPI_ADDR27 |
| E13 | PT17A | 1 | A14/MPI_ADDR28 | PT27A | 1 | A14/MPI_ADDR28 |
| G12 | PT15D | 1 | A16/MPI_ADDR30 | PT25D | 1 | A16/MPI_ADDR30 |
| G11 | PT15C | 1 | D13/MPI_DATA13 | PT25C | 1 | D13/MPI_DATA13 |

LFSC/M15, LFSC/M25 Logic Signal Connections: 900 fpBGA^{1,2} (Cont.)

| Ball Number | LFSC/M15 | | | LFSC/M25 | | |
|-------------|---------------|------------|--------------------|---------------|------------|--------------------|
| | Ball Function | VCCIO Bank | Dual Function | Ball Function | VCCIO Bank | Dual Function |
| D14 | PT15B | 1 | A15/MPI_ADDR29 | PT25B | 1 | A15/MPI_ADDR29 |
| D13 | PT15A | 1 | A17/MPI_ADDR31 | PT25A | 1 | A17/MPI_ADDR31 |
| F12 | PT13D | 1 | A19/MPI_TSIZ1 | PT24D | 1 | A19/MPI_TSIZ1 |
| F13 | PT13C | 1 | A20/MPI_BDIP | PT24C | 1 | A20/MPI_BDIP |
| B12 | PT11B | 1 | A18/MPI_TSIZ0 | PT24B | 1 | A18/MPI_TSIZ0 |
| B11 | PT11A | 1 | MPI_TEA | PT24A | 1 | MPI_TEA |
| E12 | PT10D | 1 | D14/MPI_DATA14 | PT23D | 1 | D14/MPI_DATA14 |
| D12 | PT10C | 1 | DP1/MPI_PAR1 | PT23C | 1 | DP1/MPI_PAR1 |
| G10 | PT9B | 1 | A21/MPI_BURST | PT23B | 1 | A21/MPI_BURST |
| G9 | PT9A | 1 | D15/MPI_DATA15 | PT23A | 1 | D15/MPI_DATA15 |
| C10 | A_VDDIB3_L | - | | A_VDDIB3_L | - | |
| E9 | VCC12 | - | | VCC12 | - | |
| B10 | A_HDINP3_L | - | PCS 360 CH 3 IN P | A_HDINP3_L | - | PCS 360 CH 3 IN P |
| B9 | A_HDINN3_L | - | PCS 360 CH 3 IN N | A_HDINN3_L | - | PCS 360 CH 3 IN N |
| A10 | A_HDOUDP3_L | - | PCS 360 CH 3 OUT P | A_HDOUDP3_L | - | PCS 360 CH 3 OUT P |
| D9 | VCC12 | - | | VCC12 | - | |
| A9 | A_HDOUTN3_L | - | PCS 360 CH 3 OUT N | A_HDOUTN3_L | - | PCS 360 CH 3 OUT N |
| C9 | A_VDDOB3_L | - | | A_VDDOB3_L | - | |
| A8 | A_HDOUTN2_L | - | PCS 360 CH 2 OUT N | A_HDOUTN2_L | - | PCS 360 CH 2 OUT N |
| C8 | A_VDDOB2_L | - | | A_VDDOB2_L | - | |
| A7 | A_HDOUDP2_L | - | PCS 360 CH 2 OUT P | A_HDOUDP2_L | - | PCS 360 CH 2 OUT P |
| E8 | VCC12 | - | | VCC12 | - | |
| B8 | A_HDINN2_L | - | PCS 360 CH 2 IN N | A_HDINN2_L | - | PCS 360 CH 2 IN N |
| B7 | A_HDINP2_L | - | PCS 360 CH 2 IN P | A_HDINP2_L | - | PCS 360 CH 2 IN P |
| C7 | A_VDDIB2_L | - | | A_VDDIB2_L | - | |
| D8 | VCC12 | - | | VCC12 | - | |
| C6 | A_VDDIB1_L | - | | A_VDDIB1_L | - | |
| E7 | VCC12 | - | | VCC12 | - | |
| B6 | A_HDINP1_L | - | PCS 360 CH 1 IN P | A_HDINP1_L | - | PCS 360 CH 1 IN P |
| B5 | A_HDINN1_L | - | PCS 360 CH 1 IN N | A_HDINN1_L | - | PCS 360 CH 1 IN N |
| A6 | A_HDOUDP1_L | - | PCS 360 CH 1 OUT P | A_HDOUDP1_L | - | PCS 360 CH 1 OUT P |
| D7 | VCC12 | - | | VCC12 | - | |
| A5 | A_HDOUTN1_L | - | PCS 360 CH 1 OUT N | A_HDOUTN1_L | - | PCS 360 CH 1 OUT N |
| C5 | A_VDDOB1_L | - | | A_VDDOB1_L | - | |
| A4 | A_HDOUTN0_L | - | PCS 360 CH 0 OUT N | A_HDOUTN0_L | - | PCS 360 CH 0 OUT N |
| C4 | A_VDDOB0_L | - | | A_VDDOB0_L | - | |
| A3 | A_HDOUDP0_L | - | PCS 360 CH 0 OUT P | A_HDOUDP0_L | - | PCS 360 CH 0 OUT P |
| E6 | VCC12 | - | | VCC12 | - | |
| B4 | A_HDINN0_L | - | PCS 360 CH 0 IN N | A_HDINN0_L | - | PCS 360 CH 0 IN N |
| B3 | A_HDINP0_L | - | PCS 360 CH 0 IN P | A_HDINP0_L | - | PCS 360 CH 0 IN P |
| C3 | A_VDDIB0_L | - | | A_VDDIB0_L | - | |
| D6 | VCC12 | - | | VCC12 | - | |
| L5 | NC | - | | PL21A | 7 | |
| M5 | NC | - | | PL21B | 7 | |
| G2 | NC | - | | PL20A | 7 | |

LFSC/M15, LFSC/M25 Logic Signal Connections: 900 fpBGA^{1,2} (Cont.)

| Ball Number | LFSC/M15 | | | LFSC/M25 | | |
|-------------|---------------|------------|---------------|---------------|------------|---------------|
| | Ball Function | VCCIO Bank | Dual Function | Ball Function | VCCIO Bank | Dual Function |
| G1 | NC | - | | PL20B | 7 | |
| M4 | NC | - | | NC | - | |
| J3 | NC | - | | NC | - | |
| P5 | NC | - | | NC | - | |
| W5 | NC | - | | PL48C | 6 | |
| T6 | NC | - | | PL35C | 6 | |
| U3 | NC | - | | PL36A | 6 | |
| V3 | NC | - | | PL36B | 6 | |
| T5 | NC | - | | PL39A | 6 | |
| T4 | NC | - | | PL39B | 6 | |
| V5 | NC | - | | PL43C | 6 | |
| U6 | NC | - | | PL42C | 6 | |
| U4 | NC | - | | PL40A | 6 | |
| U5 | NC | - | | PL40B | 6 | |
| V4 | NC | - | | PL43D | 6 | |
| Y2 | NC | - | | PL47A | 6 | |
| AA2 | NC | - | | PL47B | 6 | |
| W3 | NC | - | | PL47D | 6 | |
| Y3 | NC | - | | PL47C | 6 | |
| AB3 | NC | - | | NC | - | |
| AC4 | NC | - | | PL53A | 6 | |
| AD4 | NC | - | | PL53B | 6 | |
| AE3 | NC | - | | PL56A | 6 | |
| AF3 | NC | - | | PL56B | 6 | |
| AF7 | NC | - | | PB7A | 5 | |
| AF6 | NC | - | | PB7B | 5 | |
| AH4 | NC | - | | PB8A | 5 | |
| AG5 | NC | - | | PB8B | 5 | |
| AF8 | NC | - | | PB9A | 5 | |
| AG8 | NC | - | | PB9B | 5 | |
| AG7 | NC | - | | NC | - | |
| AG10 | NC | - | | NC | - | |
| AF12 | NC | - | | NC | - | |
| AH7 | NC | - | | PB15A | 5 | |
| AE13 | NC | - | | PB15D | 5 | |
| AG13 | NC | - | | PB23C | 5 | |
| AH8 | NC | - | | PB15B | 5 | |
| AJ5 | NC | - | | PB17A | 5 | |
| AJ6 | NC | - | | PB17B | 5 | |
| AF15 | NC | - | | PB21D | 5 | |
| AJ7 | NC | - | | PB19A | 5 | |
| AJ8 | NC | - | | PB19B | 5 | |
| AE12 | NC | - | | PB15C | 5 | |
| AF16 | NC | - | | PB38D | 4 | |
| AF19 | NC | - | | PB49D | 4 | |

LFSC/M15, LFSC/M25 Logic Signal Connections: 900 fpBGA^{1,2} (Cont.)

| Ball Number | LFSC/M15 | | | LFSC/M25 | | |
|-------------|---------------|------------|---------------|---------------|------------|---------------|
| | Ball Function | VCCIO Bank | Dual Function | Ball Function | VCCIO Bank | Dual Function |
| AH20 | NC | - | | PB51D | 4 | |
| AK27 | NC | - | | NC | - | |
| AJ24 | NC | - | | NC | - | |
| AF17 | NC | - | | PB42C | 4 | |
| AH27 | NC | - | | PB61B | 4 | |
| AD23 | NC | - | | PB57A | 4 | |
| AE23 | NC | - | | PB57B | 4 | |
| AH24 | NC | - | | PB59A | 4 | |
| AH25 | NC | - | | PB59B | 4 | |
| AH26 | NC | - | | PB61A | 4 | |
| AF24 | NC | - | | PB63A | 4 | |
| AG24 | NC | - | | PB63B | 4 | |
| AG25 | NC | - | | PB64A | 4 | |
| AF25 | NC | - | | PB64B | 4 | |
| AG26 | NC | - | | PB65A | 4 | |
| AF27 | NC | - | | PB65B | 4 | |
| AD28 | NC | - | | PR56B | 3 | |
| AC27 | NC | - | | PR56A | 3 | |
| AE29 | NC | - | | PR53B | 3 | |
| AD29 | NC | - | | PR53A | 3 | |
| AB30 | NC | - | | NC | - | |
| AA28 | NC | - | | NC | - | |
| Y27 | NC | - | | PR47C | 3 | |
| W27 | NC | - | | PR47D | 3 | |
| V30 | NC | - | | PR47A | 3 | |
| W30 | NC | - | | PR47B | 3 | |
| W26 | NC | - | | PR43D | 3 | |
| V26 | NC | - | | PR43C | 3 | |
| U25 | NC | - | | PR42C | 3 | |
| T27 | NC | - | | PR40B | 3 | |
| R27 | NC | - | | PR40A | 3 | |
| V27 | NC | - | | PR39B | 3 | |
| U27 | NC | - | | PR39A | 3 | |
| U29 | NC | - | | PR36B | 3 | |
| T29 | NC | - | | PR36A | 3 | |
| T24 | NC | - | | PR35C | 3 | |
| Y25 | NC | - | | PR48C | 3 | |
| P24 | NC | - | | NC | - | |
| K28 | NC | - | | NC | - | |
| P23 | NC | - | | NC | - | |
| L28 | NC | - | | NC | - | |
| M27 | NC | - | | PR21B | 2 | |
| L27 | NC | - | | PR21A | 2 | |
| H27 | NC | - | | PR20B | 2 | |
| G27 | NC | - | | PR20A | 2 | |

LFSC/M15, LFSC/M25 Logic Signal Connections: 900 fpBGA^{1, 2} (Cont.)

| Ball Number | LFSC/M15 | | | LFSC/M25 | | |
|-------------|---------------|------------|---------------|---------------|------------|---------------|
| | Ball Function | VCCIO Bank | Dual Function | Ball Function | VCCIO Bank | Dual Function |
| E19 | NC | - | | NC | - | |
| G21 | NC | - | | NC | - | |
| G20 | NC | - | | NC | - | |
| G19 | NC | - | | NC | - | |
| F9 | NC | - | | NC | - | |
| A11 | NC | - | | NC | - | |
| G7 | NC | - | | NC | - | |
| AH9 | NC | - | | NC | - | |
| H8 | VCC12 | - | | VCC12 | - | |
| T8 | VCC12 | - | | VCC12 | - | |
| AB9 | VCC12 | - | | VCC12 | - | |
| AC8 | VCC12 | - | | VCC12 | - | |
| AB22 | VCC12 | - | | VCC12 | - | |
| AC23 | VCC12 | - | | VCC12 | - | |
| R23 | VCC12 | - | | VCC12 | - | |
| H23 | VCC12 | - | | VCC12 | - | |
| H15 | VCC12 | - | | VCC12 | - | |
| L24 | VTT_2 | 2 | | VTT_2 | 2 | |
| T23 | VTT_2 | 2 | | VTT_2 | 2 | |
| AC24 | VTT_3 | 3 | | VTT_3 | 3 | |
| T25 | VTT_3 | 3 | | VTT_3 | 3 | |
| W25 | VTT_3 | 3 | | VTT_3 | 3 | |
| AD24 | VTT_4 | 4 | | VTT_4 | 4 | |
| AE17 | VTT_4 | 4 | | VTT_4 | 4 | |
| AE18 | VTT_4 | 4 | | VTT_4 | 4 | |
| AC15 | VTT_5 | 5 | | VTT_5 | 5 | |
| AD16 | VTT_5 | 5 | | VTT_5 | 5 | |
| AE9 | VTT_5 | 5 | | VTT_5 | 5 | |
| AA6 | VTT_6 | 6 | | VTT_6 | 6 | |
| T7 | VTT_6 | 6 | | VTT_6 | 6 | |
| W6 | VTT_6 | 6 | | VTT_6 | 6 | |
| L7 | VTT_7 | 7 | | VTT_7 | 7 | |
| P7 | VTT_7 | 7 | | VTT_7 | 7 | |
| AA10 | VCC | - | | VCC | - | |
| AA11 | VCC | - | | VCC | - | |
| AA12 | VCC | - | | VCC | - | |
| AA13 | VCC | - | | VCC | - | |
| AA14 | VCC | - | | VCC | - | |
| AA17 | VCC | - | | VCC | - | |
| AA18 | VCC | - | | VCC | - | |
| AA19 | VCC | - | | VCC | - | |
| AA20 | VCC | - | | VCC | - | |
| AA21 | VCC | - | | VCC | - | |
| AA22 | VCC | - | | VCC | - | |
| AA9 | VCC | - | | VCC | - | |

LFSC/M15, LFSC/M25 Logic Signal Connections: 900 fpBGA^{1, 2} (Cont.)

| Ball Number | LFSC/M15 | | | LFSC/M25 | | |
|-------------|---------------|------------|---------------|---------------|------------|---------------|
| | Ball Function | VCCIO Bank | Dual Function | Ball Function | VCCIO Bank | Dual Function |
| AB10 | VCC | - | | VCC | - | |
| AB21 | VCC | - | | VCC | - | |
| J10 | VCC | - | | VCC | - | |
| J21 | VCC | - | | VCC | - | |
| K10 | VCC | - | | VCC | - | |
| K11 | VCC | - | | VCC | - | |
| K12 | VCC | - | | VCC | - | |
| K13 | VCC | - | | VCC | - | |
| K14 | VCC | - | | VCC | - | |
| K17 | VCC | - | | VCC | - | |
| K18 | VCC | - | | VCC | - | |
| K19 | VCC | - | | VCC | - | |
| K20 | VCC | - | | VCC | - | |
| K21 | VCC | - | | VCC | - | |
| K22 | VCC | - | | VCC | - | |
| K9 | VCC | - | | VCC | - | |
| L10 | VCC | - | | VCC | - | |
| L21 | VCC | - | | VCC | - | |
| M10 | VCC | - | | VCC | - | |
| M21 | VCC | - | | VCC | - | |
| N10 | VCC | - | | VCC | - | |
| N21 | VCC | - | | VCC | - | |
| P10 | VCC | - | | VCC | - | |
| P21 | VCC | - | | VCC | - | |
| U10 | VCC | - | | VCC | - | |
| U21 | VCC | - | | VCC | - | |
| V10 | VCC | - | | VCC | - | |
| V21 | VCC | - | | VCC | - | |
| W10 | VCC | - | | VCC | - | |
| W21 | VCC | - | | VCC | - | |
| Y10 | VCC | - | | VCC | - | |
| Y21 | VCC | - | | VCC | - | |
| H11 | VCCAUX | - | | VCCAUX | - | |
| H12 | VCCAUX | - | | VCCAUX | - | |
| H19 | VCCAUX | - | | VCCAUX | - | |
| H20 | VCCAUX | - | | VCCAUX | - | |
| M23 | VCCAUX | - | | VCCAUX | - | |
| M24 | VCCAUX | - | | VCCAUX | - | |
| N23 | VCCAUX | - | | VCCAUX | - | |
| N24 | VCCAUX | - | | VCCAUX | - | |
| U23 | VCCAUX | - | | VCCAUX | - | |
| U24 | VCCAUX | - | | VCCAUX | - | |
| V23 | VCCAUX | - | | VCCAUX | - | |
| V24 | VCCAUX | - | | VCCAUX | - | |
| W23 | VCCAUX | - | | VCCAUX | - | |

LFSC/M15, LFSC/M25 Logic Signal Connections: 900 fpBGA^{1, 2} (Cont.)

| Ball Number | LFSC/M15 | | | LFSC/M25 | | |
|-------------|---------------|------------|---------------|---------------|------------|---------------|
| | Ball Function | VCCIO Bank | Dual Function | Ball Function | VCCIO Bank | Dual Function |
| W24 | VCCAUX | - | | VCCAUX | - | |
| AC17 | VCCAUX | - | | VCCAUX | - | |
| AC18 | VCCAUX | - | | VCCAUX | - | |
| AC19 | VCCAUX | - | | VCCAUX | - | |
| AD17 | VCCAUX | - | | VCCAUX | - | |
| AD18 | VCCAUX | - | | VCCAUX | - | |
| AD19 | VCCAUX | - | | VCCAUX | - | |
| AC12 | VCCAUX | - | | VCCAUX | - | |
| AC13 | VCCAUX | - | | VCCAUX | - | |
| AC14 | VCCAUX | - | | VCCAUX | - | |
| AD12 | VCCAUX | - | | VCCAUX | - | |
| AD13 | VCCAUX | - | | VCCAUX | - | |
| AD14 | VCCAUX | - | | VCCAUX | - | |
| U7 | VCCAUX | - | | VCCAUX | - | |
| U8 | VCCAUX | - | | VCCAUX | - | |
| V7 | VCCAUX | - | | VCCAUX | - | |
| V8 | VCCAUX | - | | VCCAUX | - | |
| W7 | VCCAUX | - | | VCCAUX | - | |
| W8 | VCCAUX | - | | VCCAUX | - | |
| M7 | VCCAUX | - | | VCCAUX | - | |
| M8 | VCCAUX | - | | VCCAUX | - | |
| N7 | VCCAUX | - | | VCCAUX | - | |
| N8 | VCCAUX | - | | VCCAUX | - | |
| H10 | VCCIO1 | - | | VCCIO1 | - | |
| H21 | VCCIO1 | - | | VCCIO1 | - | |
| H22 | VCCIO1 | - | | VCCIO1 | - | |
| H9 | VCCIO1 | - | | VCCIO1 | - | |
| J11 | VCCIO1 | - | | VCCIO1 | - | |
| J12 | VCCIO1 | - | | VCCIO1 | - | |
| J13 | VCCIO1 | - | | VCCIO1 | - | |
| J14 | VCCIO1 | - | | VCCIO1 | - | |
| J15 | VCCIO1 | - | | VCCIO1 | - | |
| J16 | VCCIO1 | - | | VCCIO1 | - | |
| J17 | VCCIO1 | - | | VCCIO1 | - | |
| J18 | VCCIO1 | - | | VCCIO1 | - | |
| J19 | VCCIO1 | - | | VCCIO1 | - | |
| J20 | VCCIO1 | - | | VCCIO1 | - | |
| J23 | VCCIO2 | - | | VCCIO2 | - | |
| J24 | VCCIO2 | - | | VCCIO2 | - | |
| K23 | VCCIO2 | - | | VCCIO2 | - | |
| K24 | VCCIO2 | - | | VCCIO2 | - | |
| L22 | VCCIO2 | - | | VCCIO2 | - | |
| L23 | VCCIO2 | - | | VCCIO2 | - | |
| M22 | VCCIO2 | - | | VCCIO2 | - | |
| N22 | VCCIO2 | - | | VCCIO2 | - | |

LFSC/M15, LFSC/M25 Logic Signal Connections: 900 fpBGA^{1, 2} (Cont.)

| Ball Number | LFSC/M15 | | | LFSC/M25 | | |
|-------------|---------------|------------|---------------|---------------|------------|---------------|
| | Ball Function | VCCIO Bank | Dual Function | Ball Function | VCCIO Bank | Dual Function |
| P22 | VCCIO2 | - | | VCCIO2 | - | |
| R22 | VCCIO2 | - | | VCCIO2 | - | |
| AA23 | VCCIO3 | - | | VCCIO3 | - | |
| AA24 | VCCIO3 | - | | VCCIO3 | - | |
| AB23 | VCCIO3 | - | | VCCIO3 | - | |
| AB24 | VCCIO3 | - | | VCCIO3 | - | |
| T22 | VCCIO3 | - | | VCCIO3 | - | |
| U22 | VCCIO3 | - | | VCCIO3 | - | |
| V22 | VCCIO3 | - | | VCCIO3 | - | |
| W22 | VCCIO3 | - | | VCCIO3 | - | |
| Y22 | VCCIO3 | - | | VCCIO3 | - | |
| Y23 | VCCIO3 | - | | VCCIO3 | - | |
| Y24 | VCCIO3 | - | | VCCIO3 | - | |
| AB16 | VCCIO4 | - | | VCCIO4 | - | |
| AB17 | VCCIO4 | - | | VCCIO4 | - | |
| AB18 | VCCIO4 | - | | VCCIO4 | - | |
| AB19 | VCCIO4 | - | | VCCIO4 | - | |
| AB20 | VCCIO4 | - | | VCCIO4 | - | |
| AC20 | VCCIO4 | - | | VCCIO4 | - | |
| AC21 | VCCIO4 | - | | VCCIO4 | - | |
| AC22 | VCCIO4 | - | | VCCIO4 | - | |
| AD20 | VCCIO4 | - | | VCCIO4 | - | |
| AD21 | VCCIO4 | - | | VCCIO4 | - | |
| AD22 | VCCIO4 | - | | VCCIO4 | - | |
| AB11 | VCCIO5 | - | | VCCIO5 | - | |
| AB12 | VCCIO5 | - | | VCCIO5 | - | |
| AB13 | VCCIO5 | - | | VCCIO5 | - | |
| AB14 | VCCIO5 | - | | VCCIO5 | - | |
| AB15 | VCCIO5 | - | | VCCIO5 | - | |
| AC10 | VCCIO5 | - | | VCCIO5 | - | |
| AC11 | VCCIO5 | - | | VCCIO5 | - | |
| AC9 | VCCIO5 | - | | VCCIO5 | - | |
| AD10 | VCCIO5 | - | | VCCIO5 | - | |
| AD11 | VCCIO5 | - | | VCCIO5 | - | |
| AD9 | VCCIO5 | - | | VCCIO5 | - | |
| AA7 | VCCIO6 | - | | VCCIO6 | - | |
| AA8 | VCCIO6 | - | | VCCIO6 | - | |
| AB7 | VCCIO6 | - | | VCCIO6 | - | |
| AB8 | VCCIO6 | - | | VCCIO6 | - | |
| T9 | VCCIO6 | - | | VCCIO6 | - | |
| U9 | VCCIO6 | - | | VCCIO6 | - | |
| V9 | VCCIO6 | - | | VCCIO6 | - | |
| W9 | VCCIO6 | - | | VCCIO6 | - | |
| Y7 | VCCIO6 | - | | VCCIO6 | - | |
| Y8 | VCCIO6 | - | | VCCIO6 | - | |

LFSC/M15, LFSC/M25 Logic Signal Connections: 900 fpBGA^{1,2} (Cont.)

| Ball Number | LFSC/M15 | | | LFSC/M25 | | |
|-------------|---------------|------------|---------------|---------------|------------|---------------|
| | Ball Function | VCCIO Bank | Dual Function | Ball Function | VCCIO Bank | Dual Function |
| Y9 | VCCIO6 | - | | VCCIO6 | - | |
| J7 | VCCIO7 | - | | VCCIO7 | - | |
| J8 | VCCIO7 | - | | VCCIO7 | - | |
| K7 | VCCIO7 | - | | VCCIO7 | - | |
| K8 | VCCIO7 | - | | VCCIO7 | - | |
| L8 | VCCIO7 | - | | VCCIO7 | - | |
| L9 | VCCIO7 | - | | VCCIO7 | - | |
| M9 | VCCIO7 | - | | VCCIO7 | - | |
| N9 | VCCIO7 | - | | VCCIO7 | - | |
| P9 | VCCIO7 | - | | VCCIO7 | - | |
| R9 | VCCIO7 | - | | VCCIO7 | - | |
| A1 | GND | - | | GND | - | |
| A30 | GND | - | | GND | - | |
| AA15 | GND | - | | GND | - | |
| AA16 | GND | - | | GND | - | |
| AK1 | GND | - | | GND | - | |
| AK30 | GND | - | | GND | - | |
| K15 | GND | - | | GND | - | |
| K16 | GND | - | | GND | - | |
| L11 | GND | - | | GND | - | |
| L12 | GND | - | | GND | - | |
| L13 | GND | - | | GND | - | |
| L14 | GND | - | | GND | - | |
| L15 | GND | - | | GND | - | |
| L16 | GND | - | | GND | - | |
| L17 | GND | - | | GND | - | |
| L18 | GND | - | | GND | - | |
| L19 | GND | - | | GND | - | |
| L20 | GND | - | | GND | - | |
| M11 | GND | - | | GND | - | |
| M12 | GND | - | | GND | - | |
| M13 | GND | - | | GND | - | |
| M14 | GND | - | | GND | - | |
| M15 | GND | - | | GND | - | |
| M16 | GND | - | | GND | - | |
| M17 | GND | - | | GND | - | |
| M18 | GND | - | | GND | - | |
| M19 | GND | - | | GND | - | |
| M20 | GND | - | | GND | - | |
| N11 | GND | - | | GND | - | |
| N12 | GND | - | | GND | - | |
| N13 | GND | - | | GND | - | |
| N14 | GND | - | | GND | - | |
| N15 | GND | - | | GND | - | |
| N16 | GND | - | | GND | - | |

LFSC/M15, LFSC/M25 Logic Signal Connections: 900 fpBGA^{1, 2} (Cont.)

| Ball Number | LFSC/M15 | | | LFSC/M25 | | |
|-------------|---------------|------------|---------------|---------------|------------|---------------|
| | Ball Function | VCCIO Bank | Dual Function | Ball Function | VCCIO Bank | Dual Function |
| N17 | GND | - | | GND | - | |
| N18 | GND | - | | GND | - | |
| N19 | GND | - | | GND | - | |
| N20 | GND | - | | GND | - | |
| P11 | GND | - | | GND | - | |
| P12 | GND | - | | GND | - | |
| P13 | GND | - | | GND | - | |
| P14 | GND | - | | GND | - | |
| P15 | GND | - | | GND | - | |
| P16 | GND | - | | GND | - | |
| P17 | GND | - | | GND | - | |
| P18 | GND | - | | GND | - | |
| P19 | GND | - | | GND | - | |
| P20 | GND | - | | GND | - | |
| R10 | GND | - | | GND | - | |
| R11 | GND | - | | GND | - | |
| R12 | GND | - | | GND | - | |
| R13 | GND | - | | GND | - | |
| R14 | GND | - | | GND | - | |
| R15 | GND | - | | GND | - | |
| R16 | GND | - | | GND | - | |
| R17 | GND | - | | GND | - | |
| R18 | GND | - | | GND | - | |
| R19 | GND | - | | GND | - | |
| R20 | GND | - | | GND | - | |
| R21 | GND | - | | GND | - | |
| T10 | GND | - | | GND | - | |
| T11 | GND | - | | GND | - | |
| T12 | GND | - | | GND | - | |
| T13 | GND | - | | GND | - | |
| T14 | GND | - | | GND | - | |
| T15 | GND | - | | GND | - | |
| T16 | GND | - | | GND | - | |
| T17 | GND | - | | GND | - | |
| T18 | GND | - | | GND | - | |
| T19 | GND | - | | GND | - | |
| T20 | GND | - | | GND | - | |
| T21 | GND | - | | GND | - | |
| U11 | GND | - | | GND | - | |
| U12 | GND | - | | GND | - | |
| U13 | GND | - | | GND | - | |
| U14 | GND | - | | GND | - | |
| U15 | GND | - | | GND | - | |
| U16 | GND | - | | GND | - | |
| U17 | GND | - | | GND | - | |

LFSC/M15, LFSC/M25 Logic Signal Connections: 900 fpBGA^{1,2} (Cont.)

| Ball Number | LFSC/M15 | | | LFSC/M25 | | |
|-------------|---------------|------------|---------------|---------------|------------|---------------|
| | Ball Function | VCCIO Bank | Dual Function | Ball Function | VCCIO Bank | Dual Function |
| U18 | GND | - | | GND | - | |
| U19 | GND | - | | GND | - | |
| U20 | GND | - | | GND | - | |
| V11 | GND | - | | GND | - | |
| V12 | GND | - | | GND | - | |
| V13 | GND | - | | GND | - | |
| V14 | GND | - | | GND | - | |
| V15 | GND | - | | GND | - | |
| V16 | GND | - | | GND | - | |
| V17 | GND | - | | GND | - | |
| V18 | GND | - | | GND | - | |
| V19 | GND | - | | GND | - | |
| V20 | GND | - | | GND | - | |
| W11 | GND | - | | GND | - | |
| W12 | GND | - | | GND | - | |
| W13 | GND | - | | GND | - | |
| W14 | GND | - | | GND | - | |
| W15 | GND | - | | GND | - | |
| W16 | GND | - | | GND | - | |
| W17 | GND | - | | GND | - | |
| W18 | GND | - | | GND | - | |
| W19 | GND | - | | GND | - | |
| W20 | GND | - | | GND | - | |
| Y11 | GND | - | | GND | - | |
| Y12 | GND | - | | GND | - | |
| Y13 | GND | - | | GND | - | |
| Y14 | GND | - | | GND | - | |
| Y15 | GND | - | | GND | - | |
| Y16 | GND | - | | GND | - | |
| Y17 | GND | - | | GND | - | |
| Y18 | GND | - | | GND | - | |
| Y19 | GND | - | | GND | - | |
| Y20 | GND | - | | GND | - | |
| H2 | VCCIO7 | - | | VCCIO7 | - | |
| N4 | VCCIO7 | - | | VCCIO7 | - | |
| N6 | VCCIO7 | - | | VCCIO7 | - | |
| J2 | VCCIO7 | - | | VCCIO7 | - | |
| L2 | VCCIO7 | - | | VCCIO7 | - | |
| H4 | VCCIO7 | - | | VCCIO7 | - | |
| AB2 | VCCIO6 | - | | VCCIO6 | - | |
| AD1 | VCCIO6 | - | | VCCIO6 | - | |
| W4 | VCCIO6 | - | | VCCIO6 | - | |
| AA4 | VCCIO6 | - | | VCCIO6 | - | |
| AE7 | VCCIO5 | - | | VCCIO5 | - | |
| AH6 | VCCIO5 | - | | VCCIO5 | - | |

LFSC/M15, LFSC/M25 Logic Signal Connections: 900 fpBGA^{1,2} (Cont.)

| Ball Number | LFSC/M15 | | | LFSC/M25 | | |
|-------------|---------------|------------|---------------|---------------|------------|---------------|
| | Ball Function | VCCIO Bank | Dual Function | Ball Function | VCCIO Bank | Dual Function |
| AG11 | VCCIO5 | - | | VCCIO5 | - | |
| AJ9 | VCCIO5 | - | | VCCIO5 | - | |
| AJ23 | VCCIO4 | - | | VCCIO4 | - | |
| AG20 | VCCIO4 | - | | VCCIO4 | - | |
| AJ26 | VCCIO4 | - | | VCCIO4 | - | |
| AG23 | VCCIO4 | - | | VCCIO4 | - | |
| AC29 | VCCIO3 | - | | VCCIO3 | - | |
| AA26 | VCCIO3 | - | | VCCIO3 | - | |
| Y28 | VCCIO3 | - | | VCCIO3 | - | |
| AA29 | VCCIO3 | - | | VCCIO3 | - | |
| G30 | VCCIO2 | - | | VCCIO2 | - | |
| J29 | VCCIO2 | - | | VCCIO2 | - | |
| K27 | VCCIO2 | - | | VCCIO2 | - | |
| N25 | VCCIO2 | - | | VCCIO2 | - | |
| F20 | VCCIO1 | - | | VCCIO1 | - | |
| C19 | VCCIO1 | - | | VCCIO1 | - | |
| C12 | VCCIO1 | - | | VCCIO1 | - | |
| F11 | VCCIO1 | - | | VCCIO1 | - | |
| H1 | GND | - | | GND | - | |
| L4 | GND | - | | GND | - | |
| M3 | GND | - | | GND | - | |
| N5 | GND | - | | GND | - | |
| K2 | GND | - | | GND | - | |
| M2 | GND | - | | GND | - | |
| P6 | GND | - | | GND | - | |
| G4 | GND | - | | GND | - | |
| H3 | GND | - | | GND | - | |
| AC2 | GND | - | | GND | - | |
| AA3 | GND | - | | GND | - | |
| AE1 | GND | - | | GND | - | |
| Y4 | GND | - | | GND | - | |
| AB4 | GND | - | | GND | - | |
| AA5 | GND | - | | GND | - | |
| AE6 | GND | - | | GND | - | |
| AE8 | GND | - | | GND | - | |
| AH5 | GND | - | | GND | - | |
| AG9 | GND | - | | GND | - | |
| AG6 | GND | - | | GND | - | |
| AF11 | GND | - | | GND | - | |
| AG12 | GND | - | | GND | - | |
| AJ10 | GND | - | | GND | - | |
| AK26 | GND | - | | GND | - | |
| AJ22 | GND | - | | GND | - | |
| AF20 | GND | - | | GND | - | |
| AJ25 | GND | - | | GND | - | |

LFSC/M15, LFSC/M25 Logic Signal Connections: 900 fpBGA^{1, 2} (Cont.)

| Ball Number | LFSC/M15 | | | LFSC/M25 | | |
|-------------|---------------|------------|---------------|---------------|------------|---------------|
| | Ball Function | VCCIO Bank | Dual Function | Ball Function | VCCIO Bank | Dual Function |
| AJ27 | GND | - | | GND | - | |
| AF23 | GND | - | | GND | - | |
| AF22 | GND | - | | GND | - | |
| AE27 | GND | - | | GND | - | |
| AA27 | GND | - | | GND | - | |
| AB29 | GND | - | | GND | - | |
| Y26 | GND | - | | GND | - | |
| AC30 | GND | - | | GND | - | |
| Y29 | GND | - | | GND | - | |
| F30 | GND | - | | GND | - | |
| E27 | GND | - | | GND | - | |
| F27 | GND | - | | GND | - | |
| P25 | GND | - | | GND | - | |
| H29 | GND | - | | GND | - | |
| K29 | GND | - | | GND | - | |
| R24 | GND | - | | GND | - | |
| M28 | GND | - | | GND | - | |
| J27 | GND | - | | GND | - | |
| N26 | GND | - | | GND | - | |
| E20 | GND | - | | GND | - | |
| E21 | GND | - | | GND | - | |
| F21 | GND | - | | GND | - | |
| F23 | GND | - | | GND | - | |
| G23 | GND | - | | GND | - | |
| D21 | GND | - | | GND | - | |
| D20 | GND | - | | GND | - | |
| E18 | GND | - | | GND | - | |
| C20 | GND | - | | GND | - | |
| C11 | GND | - | | GND | - | |
| A12 | GND | - | | GND | - | |
| E11 | GND | - | | GND | - | |
| F8 | GND | - | | GND | - | |
| G8 | GND | - | | GND | - | |
| D11 | GND | - | | GND | - | |
| D10 | GND | - | | GND | - | |
| H7 | GND | - | | GND | - | |
| F10 | GND | - | | GND | - | |
| E10 | GND | - | | GND | - | |
| AC16 | NC | - | | NC | - | |
| J22 | VCC | - | | VCC | - | |
| J9 | VCC | - | | VCC | - | |
| B2 | NC | - | | NC | - | |
| C2 | RESPN_ULC | - | | RESPN_ULC | - | |
| C29 | RESPN_URC | - | | RESPN_URC | - | |

LFSC/M15, LFSC/M25 Logic Signal Connections: 900 fpBGA^{1, 2} (Cont.)

| Ball Number | LFSC/M15 | | | LFSC/M25 | | |
|-------------|---------------|------------|---------------|---------------|------------|---------------|
| | Ball Function | VCCIO Bank | Dual Function | Ball Function | VCCIO Bank | Dual Function |
| B29 | NC | - | | NC | - | |

1. Differential pair grouping within a PIC is A (True) and B (Complement) and C (True) and D (Complement).
2. The LatticeSC/M15 and LatticeSC/M25 in a 900-pin package supports a 16-bit MPI interface.

LFSC/M25, LFSC/M40 Logic Signal Connections: 1020 fcBGA^{1,2}

| Ball Number | LFSC/M25 | | | LFSC/M40 | | |
|-------------|---------------|------------|-----------------------------|---------------|------------|-----------------------------|
| | Ball Function | VCCIO Bank | Dual Function | Ball Function | VCCIO Bank | Dual Function |
| C28 | A_REFCLKP_L | - | | A_REFCLKP_L | - | |
| D28 | A_REFCLKN_L | - | | A_REFCLKN_L | - | |
| B28 | VCC12 | - | | VCC12 | - | |
| F28 | RESP_ULC | - | | RESP_ULC | - | |
| J21 | RESETN | 1 | | RESETN | 1 | |
| J20 | TSALLN | 1 | | TSALLN | 1 | |
| K20 | DONE | 1 | | DONE | 1 | |
| K21 | INITN | 1 | | INITN | 1 | |
| K23 | M0 | 1 | | M0 | 1 | |
| J23 | M1 | 1 | | M1 | 1 | |
| J24 | M2 | 1 | | M2 | 1 | |
| K24 | M3 | 1 | | M3 | 1 | |
| K25 | PL16A | 7 | ULC_PLLT_IN_A/ULC_PLLT_FB_B | PL16A | 7 | ULC_PLLT_IN_A/ULC_PLLT_FB_B |
| J25 | PL16B | 7 | ULC_PLLC_IN_A/ULC_PLLC_FB_B | PL16B | 7 | ULC_PLLC_IN_A/ULC_PLLC_FB_B |
| K26 | PL16C | 7 | | PL16C | 7 | |
| K27 | PL16D | 7 | | PL16D | 7 | |
| D32 | PL17A | 7 | ULC_DLLT_IN_C/ULC_DLLT_FB_D | PL17A | 7 | ULC_DLLT_IN_C/ULC_DLLT_FB_D |
| D31 | PL17B | 7 | ULC_DLLC_IN_C/ULC_DLLC_FB_D | PL17B | 7 | ULC_DLLC_IN_C/ULC_DLLC_FB_D |
| M23 | PL17C | 7 | ULC_PLLT_IN_B/ULC_PLLT_FB_A | PL17C | 7 | ULC_PLLT_IN_B/ULC_PLLT_FB_A |
| N23 | PL17D | 7 | ULC_PLLC_IN_B/ULC_PLLC_FB_A | PL17D | 7 | ULC_PLLC_IN_B/ULC_PLLC_FB_A |
| E32 | PL18A | 7 | ULC_DLLT_IN_D/ULC_DLLT_FB_C | PL18A | 7 | ULC_DLLT_IN_D/ULC_DLLT_FB_C |
| E31 | PL18B | 7 | ULC_DLLC_IN_D/ULC_DLLC_FB_C | PL18B | 7 | ULC_DLLC_IN_D/ULC_DLLC_FB_C |
| J28 | PL18C | 7 | | PL18C | 7 | |
| K28 | PL18D | 7 | VREF2_7 | PL18D | 7 | VREF2_7 |
| F32 | PL20A | 7 | | PL21A | 7 | |
| F31 | PL20B | 7 | | PL21B | 7 | |
| L25 | PL20C | 7 | | PL21C | 7 | |
| L26 | PL20D | 7 | | PL21D | 7 | |
| G31 | PL21A | 7 | | PL22A | 7 | |
| G32 | PL21B | 7 | | PL22B | 7 | |
| J29 | PL22A | 7 | | PL25A | 7 | |
| H29 | PL22B | 7 | | PL25B | 7 | |
| M25 | PL22C | 7 | | PL25C | 7 | |
| N25 | PL22D | 7 | | PL25D | 7 | |
| H31 | PL25A | 7 | | PL23A | 7 | |
| H32 | PL25B | 7 | | PL23B | 7 | |
| M24 | PL25C | 7 | VREF1_7 | PL23C | 7 | VREF1_7 |
| N24 | PL25D | 7 | DIFFR_7 | PL23D | 7 | DIFFR_7 |
| L32 | PL26A | 7 | PCLKT7_1 | PL35A | 7 | PCLKT7_1 |
| M32 | PL26B | 7 | PCLKC7_1 | PL35B | 7 | PCLKC7_1 |
| R25 | PL26C | 7 | PCLKT7_3 | PL35C | 7 | PCLKT7_3 |
| R24 | PL26D | 7 | PCLKC7_3 | PL35D | 7 | PCLKC7_3 |
| N31 | PL27A | 7 | PCLKT7_0 | PL36A | 7 | PCLKT7_0 |
| N32 | PL27B | 7 | PCLKC7_0 | PL36B | 7 | PCLKC7_0 |
| P27 | PL27C | 7 | PCLKT7_2 | PL36C | 7 | PCLKT7_2 |
| P28 | PL27D | 7 | PCLKC7_2 | PL36D | 7 | PCLKC7_2 |
| P30 | PL29A | 6 | PCLKT6_0 | PL38A | 6 | PCLKT6_0 |
| P29 | PL29B | 6 | PCLKC6_0 | PL38B | 6 | PCLKC6_0 |
| T23 | PL29C | 6 | PCLKT6_1 | PL38C | 6 | PCLKT6_1 |
| T24 | PL29D | 6 | PCLKC6_1 | PL38D | 6 | PCLKC6_1 |

LFSC/M25, LFSC/M40 Logic Signal Connections: 1020 fcBGA^{1,2} (Cont.)

| Ball Number | LFSC/M25 | | | LFSC/M40 | | |
|-------------|---------------|------------|---------------|---------------|------------|---------------|
| | Ball Function | VCCIO Bank | Dual Function | Ball Function | VCCIO Bank | Dual Function |
| P32 | PL30A | 6 | | PL39A | 6 | |
| P31 | PL30B | 6 | | PL39B | 6 | |
| R28 | PL30C | 6 | PCLKT6_3 | PL39C | 6 | PCLKT6_3 |
| T28 | PL30D | 6 | PCLKC6_3 | PL39D | 6 | PCLKC6_3 |
| R30 | PL31A | 6 | | PL40A | 6 | |
| R29 | PL31B | 6 | | PL40B | 6 | |
| T25 | PL31C | 6 | PCLKT6_2 | PL40C | 6 | PCLKT6_2 |
| T26 | PL31D | 6 | PCLKC6_2 | PL40D | 6 | PCLKC6_2 |
| R31 | PL34A | 6 | | PL43A | 6 | |
| R32 | PL34B | 6 | | PL43B | 6 | |
| U23 | PL34C | 6 | VREF1_6 | PL43C | 6 | VREF1_6 |
| U24 | PL34D | 6 | | PL43D | 6 | |
| T31 | PL35A | 6 | | PL44A | 6 | |
| T32 | PL35B | 6 | | PL44B | 6 | |
| T27 | PL35C | 6 | | PL44C | 6 | |
| U28 | PL35D | 6 | | PL44D | 6 | |
| U32 | PL36A | 6 | | PL45A | 6 | |
| U31 | PL36B | 6 | | PL45B | 6 | |
| U26 | PL36C | 6 | | PL45C | 6 | |
| U25 | PL36D | 6 | | PL45D | 6 | |
| V32 | PL38A | 6 | | PL47A | 6 | |
| V31 | PL38B | 6 | | PL47B | 6 | |
| V24 | PL38C | 6 | | PL47C | 6 | |
| V23 | PL38D | 6 | | PL47D | 6 | |
| V29 | PL39A | 6 | | PL48A | 6 | |
| V30 | PL39B | 6 | | PL48B | 6 | |
| U27 | PL39C | 6 | | PL48C | 6 | |
| V28 | PL39D | 6 | | PL48D | 6 | |
| W30 | PL40A | 6 | | PL49A | 6 | |
| W29 | PL40B | 6 | | PL49B | 6 | |
| V25 | PL40C | 6 | | PL49C | 6 | |
| W26 | PL40D | 6 | | PL49D | 6 | |
| W31 | PL42A | 6 | | PL51A | 6 | |
| Y31 | PL42B | 6 | | PL51B | 6 | |
| W27 | PL42C | 6 | | PL51C | 6 | |
| Y27 | PL42D | 6 | DIFFR_6 | PL51D | 6 | DIFFR_6 |
| W28 | PL43A | 6 | | PL52A | 6 | |
| Y28 | PL43B | 6 | | PL52B | 6 | |
| Y26 | PL43C | 6 | | PL52C | 6 | |
| W25 | PL43D | 6 | | PL52D | 6 | |
| W32 | PL44A | 6 | | PL53A | 6 | |
| Y32 | PL44B | 6 | | PL53B | 6 | |
| AB28 | PL44C | 6 | | PL53C | 6 | |
| AA28 | PL44D | 6 | | PL53D | 6 | |
| AB32 | PL47A | 6 | | PL60A | 6 | |
| AA32 | PL47B | 6 | | PL60B | 6 | |
| AB27 | PL47C | 6 | | PL60C | 6 | |
| AC27 | PL47D | 6 | | PL60D | 6 | |
| AD31 | PL48A | 6 | | PL61A | 6 | |
| AC31 | PL48B | 6 | | PL61B | 6 | |

LFSC/M25, LFSC/M40 Logic Signal Connections: 1020 fcBGA^{1,2} (Cont.)

| Ball Number | LFSC/M25 | | | LFSC/M40 | | |
|-------------|---------------|------------|-----------------------------|---------------|------------|-----------------------------|
| | Ball Function | VCCIO Bank | Dual Function | Ball Function | VCCIO Bank | Dual Function |
| Y24 | PL48C | 6 | | PL61C | 6 | |
| Y23 | PL48D | 6 | | PL61D | 6 | |
| AD29 | PL49A | 6 | | PL62A | 6 | |
| AD30 | PL49B | 6 | | PL62B | 6 | |
| AF28 | PL49C | 6 | | PL62C | 6 | |
| AE28 | PL49D | 6 | | PL62D | 6 | |
| AC28 | PL51A | 6 | | PL65A | 6 | |
| AD28 | PL51B | 6 | | PL65B | 6 | |
| AB26 | PL51C | 6 | | PL65C | 6 | |
| AC26 | PL51D | 6 | VREF2_6 | PL65D | 6 | VREF2_6 |
| AC32 | PL52A | 6 | | PL66A | 6 | |
| AD32 | PL52B | 6 | | PL66B | 6 | |
| AA24 | PL52C | 6 | | PL66C | 6 | |
| AA23 | PL52D | 6 | | PL66D | 6 | |
| AE30 | PL53A | 6 | | PL67A | 6 | |
| AE29 | PL53B | 6 | | PL67B | 6 | |
| AC25 | PL53C | 6 | | PL67C | 6 | |
| AB25 | PL53D | 6 | | PL67D | 6 | |
| AE31 | PL55A | 6 | | PL69A | 6 | |
| AE32 | PL55B | 6 | | PL69B | 6 | |
| AE26 | PL55C | 6 | LLC_DLLT_IN_E/LLC_DLLT_FB_F | PL69C | 6 | LLC_DLLT_IN_E/LLC_DLLT_FB_F |
| AE27 | PL55D | 6 | LLC_DLLC_IN_E/LLC_DLLC_FB_F | PL69D | 6 | LLC_DLLC_IN_E/LLC_DLLC_FB_F |
| AF32 | PL56A | 6 | | PL70A | 6 | |
| AF31 | PL56B | 6 | | PL70B | 6 | |
| AC24 | PL56C | 6 | | PL70C | 6 | |
| AD25 | PL56D | 6 | | PL70D | 6 | |
| AG32 | PL57A | 6 | LLC_DLLT_IN_F/LLC_DLLT_FB_E | PL71A | 6 | LLC_DLLT_IN_F/LLC_DLLT_FB_E |
| AG31 | PL57B | 6 | LLC_DLLC_IN_F/LLC_DLLC_FB_E | PL71B | 6 | LLC_DLLC_IN_F/LLC_DLLC_FB_E |
| AC23 | PL57C | 6 | LLC_PLLT_IN_B/LLC_PLLT_FB_A | PL71C | 6 | LLC_PLLT_IN_B/LLC_PLLT_FB_A |
| AD24 | PL57D | 6 | LLC_PLLC_IN_B/LLC_PLLC_FB_A | PL71D | 6 | LLC_PLLC_IN_B/LLC_PLLC_FB_A |
| AH32 | XRES | - | | XRES | - | |
| AH31 | TEMP | 6 | | TEMP | 6 | |
| AJ32 | PB3A | 5 | LLC_PLLT_IN_A/LLC_PLLT_FB_B | PB3A | 5 | LLC_PLLT_IN_A/LLC_PLLT_FB_B |
| AK32 | PB3B | 5 | LLC_PLLC_IN_A/LLC_PLLC_FB_B | PB3B | 5 | LLC_PLLC_IN_A/LLC_PLLC_FB_B |
| AF27 | PB3C | 5 | LLC_DLLT_IN_C/LLC_DLLT_FB_D | PB3C | 5 | LLC_DLLT_IN_C/LLC_DLLT_FB_D |
| AG28 | PB3D | 5 | LLC_DLLC_IN_C/LLC_DLLC_FB_D | PB3D | 5 | LLC_DLLC_IN_C/LLC_DLLC_FB_D |
| AK31 | PB4A | 5 | LLC_DLLT_IN_D/LLC_DLLT_FB_C | PB4A | 5 | LLC_DLLT_IN_D/LLC_DLLT_FB_C |
| AL31 | PB4B | 5 | LLC_DLLC_IN_D/LLC_DLLC_FB_C | PB4B | 5 | LLC_DLLC_IN_D/LLC_DLLC_FB_C |
| AE25 | PB4C | 5 | | PB4C | 5 | |
| AE24 | PB4D | 5 | | PB4D | 5 | |
| AK30 | PB5A | 5 | | PB5A | 5 | |
| AL30 | PB5B | 5 | | PB5B | 5 | |
| AD23 | PB5C | 5 | | PB5C | 5 | |
| AE23 | PB5D | 5 | VREF1_5 | PB5D | 5 | VREF1_5 |
| AK29 | PB7A | 5 | | PB7A | 5 | |
| AL29 | PB7B | 5 | | PB7B | 5 | |
| AF26 | PB7C | 5 | | PB7C | 5 | |
| AF25 | PB7D | 5 | | PB7D | 5 | |
| AJ28 | PB8A | 5 | | PB8A | 5 | |
| AK28 | PB8B | 5 | | PB8B | 5 | |

LFSC/M25, LFSC/M40 Logic Signal Connections: 1020 fcBGA^{1,2} (Cont.)

| Ball Number | LFSC/M25 | | | LFSC/M40 | | |
|-------------|---------------|------------|---------------|---------------|------------|---------------|
| | Ball Function | VCCIO Bank | Dual Function | Ball Function | VCCIO Bank | Dual Function |
| AJ31 | PB9A | 5 | | PB9A | 5 | |
| AH30 | PB9B | 5 | | PB9B | 5 | |
| AM30 | PB11A | 5 | | PB11A | 5 | |
| AM29 | PB11B | 5 | | PB11B | 5 | |
| AH29 | PB11C | 5 | | PB11C | 5 | |
| AH28 | PB11D | 5 | | PB11D | 5 | |
| AJ27 | PB12A | 5 | | PB13A | 5 | |
| AK27 | PB12B | 5 | | PB13B | 5 | |
| AE22 | PB12C | 5 | | PB13C | 5 | |
| AF23 | PB12D | 5 | | PB13D | 5 | |
| AL28 | PB13A | 5 | | PB15A | 5 | |
| AL27 | PB13B | 5 | | PB15B | 5 | |
| AC21 | PB13C | 5 | | PB15C | 5 | |
| AD21 | PB13D | 5 | | PB15D | 5 | |
| AM28 | PB15A | 5 | | PB17A | 5 | |
| AM27 | PB15B | 5 | | PB17B | 5 | |
| AG23 | PB15C | 5 | | PB17C | 5 | |
| AF22 | PB15D | 5 | | PB17D | 5 | |
| AG26 | PB16A | 5 | | PB19A | 5 | |
| AG25 | PB16B | 5 | | PB19B | 5 | |
| AL26 | PB17A | 5 | | PB22A | 5 | |
| AM26 | PB17B | 5 | | PB22B | 5 | |
| AJ24 | PB19A | 5 | | PB25A | 5 | |
| AK24 | PB19B | 5 | | PB25B | 5 | |
| AE21 | PB19C | 5 | | PB25C | 5 | |
| AE20 | PB19D | 5 | | PB25D | 5 | |
| AJ22 | PB20A | 5 | PCLKT5_3 | PB30A | 5 | PCLKT5_3 |
| AK22 | PB20B | 5 | PCLKC5_3 | PB30B | 5 | PCLKC5_3 |
| AG22 | PB20C | 5 | PCLKT5_4 | PB30C | 5 | PCLKT5_4 |
| AH22 | PB20D | 5 | PCLKC5_4 | PB30D | 5 | PCLKC5_4 |
| AL23 | PB21A | 5 | PCLKT5_5 | PB31A | 5 | PCLKT5_5 |
| AL22 | PB21B | 5 | PCLKC5_5 | PB31B | 5 | PCLKC5_5 |
| AH23 | PB21C | 5 | | PB31C | 5 | |
| AH24 | PB21D | 5 | | PB31D | 5 | |
| AJ21 | PB23A | 5 | PCLKT5_0 | PB33A | 5 | PCLKT5_0 |
| AK21 | PB23B | 5 | PCLKC5_0 | PB33B | 5 | PCLKC5_0 |
| AE19 | PB23C | 5 | | PB33C | 5 | |
| AF19 | PB23D | 5 | VREF2_5 | PB33D | 5 | VREF2_5 |
| AM23 | PB24A | 5 | PCLKT5_1 | PB34A | 5 | PCLKT5_1 |
| AM22 | PB24B | 5 | PCLKC5_1 | PB34B | 5 | PCLKC5_1 |
| AH25 | PB24C | 5 | PCLKT5_6 | PB34C | 5 | PCLKT5_6 |
| AH26 | PB24D | 5 | PCLKC5_6 | PB34D | 5 | PCLKC5_6 |
| AL21 | PB25A | 5 | PCLKT5_2 | PB35A | 5 | PCLKT5_2 |
| AL20 | PB25B | 5 | PCLKC5_2 | PB35B | 5 | PCLKC5_2 |
| AG20 | PB25C | 5 | PCLKT5_7 | PB35C | 5 | PCLKT5_7 |
| AG19 | PB25D | 5 | PCLKC5_7 | PB35D | 5 | PCLKC5_7 |
| AJ19 | PB28A | 5 | | PB37A | 5 | |
| AK19 | PB28B | 5 | | PB37B | 5 | |
| AD18 | PB28C | 5 | | PB37C | 5 | |
| AE18 | PB28D | 5 | | PB37D | 5 | |

LFSC/M25, LFSC/M40 Logic Signal Connections: 1020 fcBGA^{1,2} (Cont.)

| Ball Number | LFSC/M25 | | | LFSC/M40 | | |
|-------------|---------------|------------|---------------|---------------|------------|---------------|
| | Ball Function | VCCIO Bank | Dual Function | Ball Function | VCCIO Bank | Dual Function |
| AM21 | PB29A | 5 | | PB38A | 5 | |
| AM20 | PB29B | 5 | | PB38B | 5 | |
| AH21 | PB29C | 5 | | PB38C | 5 | |
| AH20 | PB29D | 5 | | PB38D | 5 | |
| AJ18 | PB31A | 5 | | PB39A | 5 | |
| AK18 | PB31B | 5 | | PB39B | 5 | |
| AH19 | PB31C | 5 | | PB39C | 5 | |
| AH18 | PB31D | 5 | | PB39D | 5 | |
| AL19 | PB32A | 5 | | PB41A | 5 | |
| AM19 | PB32B | 5 | | PB41B | 5 | |
| AH17 | PB32C | 5 | | PB41C | 5 | |
| AG17 | PB32D | 5 | | PB41D | 5 | |
| AL18 | PB33A | 5 | | PB42A | 5 | |
| AM18 | PB33B | 5 | | PB42B | 5 | |
| AC17 | PB33C | 5 | | PB42C | 5 | |
| AD17 | PB33D | 5 | | PB42D | 5 | |
| AL17 | PB35A | 5 | | PB43A | 5 | |
| AM17 | PB35B | 5 | | PB43B | 5 | |
| AE17 | PB35C | 5 | | PB43C | 5 | |
| AF17 | PB35D | 5 | | PB43D | 5 | |
| AM16 | PB37A | 4 | | PB45A | 4 | |
| AL16 | PB37B | 4 | | PB45B | 4 | |
| AF16 | PB37C | 4 | | PB45C | 4 | |
| AE16 | PB37D | 4 | | PB45D | 4 | |
| AM15 | PB38A | 4 | | PB46A | 4 | |
| AL15 | PB38B | 4 | | PB46B | 4 | |
| AD16 | PB38C | 4 | | PB46C | 4 | |
| AC16 | PB38D | 4 | | PB46D | 4 | |
| AM14 | PB39A | 4 | | PB47A | 4 | |
| AL14 | PB39B | 4 | | PB47B | 4 | |
| AG16 | PB39C | 4 | | PB47C | 4 | |
| AH16 | PB39D | 4 | | PB47D | 4 | |
| AK15 | PB41A | 4 | | PB49A | 4 | |
| AJ15 | PB41B | 4 | | PB49B | 4 | |
| AH15 | PB41C | 4 | | PB49C | 4 | |
| AH14 | PB41D | 4 | | PB49D | 4 | |
| AM13 | PB42A | 4 | | PB50A | 4 | |
| AM12 | PB42B | 4 | | PB50B | 4 | |
| AH13 | PB42C | 4 | | PB50C | 4 | |
| AH12 | PB42D | 4 | | PB50D | 4 | |
| AK14 | PB43A | 4 | | PB51A | 4 | |
| AJ14 | PB43B | 4 | | PB51B | 4 | |
| AE15 | PB43C | 4 | | PB51C | 4 | |
| AD15 | PB43D | 4 | | PB51D | 4 | |
| AL13 | PB46A | 4 | PCLKT4_2 | PB53A | 4 | PCLKT4_2 |
| AL12 | PB46B | 4 | PCLKC4_2 | PB53B | 4 | PCLKC4_2 |
| AG14 | PB46C | 4 | PCLKT4_7 | PB53C | 4 | PCLKT4_7 |
| AG13 | PB46D | 4 | PCLKC4_7 | PB53D | 4 | PCLKC4_7 |
| AM11 | PB47A | 4 | PCLKT4_1 | PB54A | 4 | PCLKT4_1 |
| AM10 | PB47B | 4 | PCLKC4_1 | PB54B | 4 | PCLKC4_1 |

LFSC/M25, LFSC/M40 Logic Signal Connections: 1020 fcBGA^{1,2} (Cont.)

| Ball Number | LFSC/M25 | | | LFSC/M40 | | |
|-------------|---------------|------------|-----------------------------|---------------|------------|-----------------------------|
| | Ball Function | VCCIO Bank | Dual Function | Ball Function | VCCIO Bank | Dual Function |
| AH11 | PB47C | 4 | PCLKT4_6 | PB54C | 4 | PCLKT4_6 |
| AH10 | PB47D | 4 | PCLKC4_6 | PB54D | 4 | PCLKC4_6 |
| AK12 | PB49A | 4 | PCLKT4_0 | PB55A | 4 | PCLKT4_0 |
| AJ12 | PB49B | 4 | PCLKC4_0 | PB55B | 4 | PCLKC4_0 |
| AF14 | PB49C | 4 | VREF2_4 | PB55C | 4 | VREF2_4 |
| AE14 | PB49D | 4 | | PB55D | 4 | |
| AL11 | PB51A | 4 | PCLKT4_5 | PB57A | 4 | PCLKT4_5 |
| AL10 | PB51B | 4 | PCLKC4_5 | PB57B | 4 | PCLKC4_5 |
| AH9 | PB51C | 4 | | PB57C | 4 | |
| AH8 | PB51D | 4 | | PB57D | 4 | |
| AK11 | PB52A | 4 | PCLKT4_3 | PB58A | 4 | PCLKT4_3 |
| AJ11 | PB52B | 4 | PCLKC4_3 | PB58B | 4 | PCLKC4_3 |
| AH7 | PB52C | 4 | PCLKT4_4 | PB58C | 4 | PCLKT4_4 |
| AH6 | PB52D | 4 | PCLKC4_4 | PB58D | 4 | PCLKC4_4 |
| AK8 | PB53A | 4 | | PB67A | 4 | |
| AJ8 | PB53B | 4 | | PB67B | 4 | |
| AF11 | PB53C | 4 | | PB67C | 4 | |
| AD12 | PB55A | 4 | | PB69A | 4 | |
| AE12 | PB55B | 4 | | PB69B | 4 | |
| AM6 | PB56A | 4 | | PB70A | 4 | |
| AM5 | PB56B | 4 | | PB70B | 4 | |
| AC12 | PB56C | 4 | | PB70C | 4 | |
| AL6 | PB57A | 4 | | PB73A | 4 | |
| AL5 | PB57B | 4 | | PB73B | 4 | |
| AG7 | PB59A | 4 | | PB74A | 4 | |
| AG8 | PB59B | 4 | | PB74B | 4 | |
| AK6 | PB60A | 4 | | PB75A | 4 | |
| AJ6 | PB60B | 4 | | PB75B | 4 | |
| AF10 | PB60C | 4 | | PB75C | 4 | |
| AE11 | PB60D | 4 | | PB75D | 4 | |
| AM4 | PB61A | 4 | | PB77A | 4 | |
| AM3 | PB61B | 4 | | PB77B | 4 | |
| AH5 | PB63A | 4 | | PB78A | 4 | |
| AH4 | PB63B | 4 | | PB78B | 4 | |
| AK5 | PB64A | 4 | | PB79A | 4 | |
| AJ5 | PB64B | 4 | | PB79B | 4 | |
| AF8 | PB64C | 4 | | PB79C | 4 | |
| AF7 | PB64D | 4 | | PB79D | 4 | |
| AL4 | PB65A | 4 | | PB81A | 4 | |
| AL3 | PB65B | 4 | | PB81B | 4 | |
| AG5 | PB65C | 4 | | PB81C | 4 | |
| AF6 | PB65D | 4 | | PB81D | 4 | |
| AK3 | PB67A | 4 | | PB82A | 4 | |
| AJ3 | PB67B | 4 | | PB82B | 4 | |
| AE10 | PB67C | 4 | VREF1_4 | PB82C | 4 | VREF1_4 |
| AD10 | PB67D | 4 | | PB82D | 4 | |
| AL2 | PB68A | 4 | LRC_DLLT_IN_C/LRC_DLLT_FB_D | PB83A | 4 | LRC_DLLT_IN_C/LRC_DLLT_FB_D |
| AK2 | PB68B | 4 | LRC_DLLC_IN_C/LRC_DLLC_FB_D | PB83B | 4 | LRC_DLLC_IN_C/LRC_DLLC_FB_D |
| AE9 | PB68C | 4 | | PB83C | 4 | |
| AE8 | PB68D | 4 | | PB83D | 4 | |

LFSC/M25, LFSC/M40 Logic Signal Connections: 1020 fcBGA^{1,2} (Cont.)

| Ball Number | LFSC/M25 | | | LFSC/M40 | | |
|-------------|---------------|------------|-----------------------------|---------------|------------|-----------------------------|
| | Ball Function | VCCIO Bank | Dual Function | Ball Function | VCCIO Bank | Dual Function |
| AJ1 | PB69A | 4 | LRC_PLLT_IN_A/LRC_PLLT_FB_B | PB85A | 4 | LRC_PLLT_IN_A/LRC_PLLT_FB_B |
| AK1 | PB69B | 4 | LRC_PLLC_IN_A/LRC_PLLC_FB_B | PB85B | 4 | LRC_PLLC_IN_A/LRC_PLLC_FB_B |
| AJ2 | PB69C | 4 | LRC_DLLT_IN_D/LRC_DLLT_FB_C | PB85C | 4 | LRC_DLLT_IN_D/LRC_DLLT_FB_C |
| AH3 | PB69D | 4 | LRC_DLLC_IN_D/LRC_DLLC_FB_C | PB85D | 4 | LRC_DLLC_IN_D/LRC_DLLC_FB_C |
| AH1 | PROBE_VCC | - | | PROBE_VCC | - | |
| AH2 | PROBE_GND | - | | PROBE_GND | - | |
| AD9 | PR57D | 3 | LRC_PLLC_IN_B/LRC_PLLC_FB_A | PR71D | 3 | LRC_PLLC_IN_B/LRC_PLLC_FB_A |
| AC10 | PR57C | 3 | LRC_PLLT_IN_B/LRC_PLLT_FB_A | PR71C | 3 | LRC_PLLT_IN_B/LRC_PLLT_FB_A |
| AG2 | PR57B | 3 | LRC_DLLC_IN_F/LRC_DLLC_FB_E | PR71B | 3 | LRC_DLLC_IN_F/LRC_DLLC_FB_E |
| AG1 | PR57A | 3 | LRC_DLLT_IN_F/LRC_DLLT_FB_E | PR71A | 3 | LRC_DLLT_IN_F/LRC_DLLT_FB_E |
| AD8 | PR56D | 3 | | PR70D | 3 | |
| AC9 | PR56C | 3 | | PR70C | 3 | |
| AF2 | PR56B | 3 | | PR70B | 3 | |
| AF1 | PR56A | 3 | | PR70A | 3 | |
| AE6 | PR55D | 3 | LRC_DLLC_IN_E/LRC_DLLC_FB_F | PR69D | 3 | LRC_DLLC_IN_E/LRC_DLLC_FB_F |
| AE7 | PR55C | 3 | LRC_DLLT_IN_E/LRC_DLLT_FB_F | PR69C | 3 | LRC_DLLT_IN_E/LRC_DLLT_FB_F |
| AE1 | PR55B | 3 | | PR69B | 3 | |
| AE2 | PR55A | 3 | | PR69A | 3 | |
| AB8 | PR53D | 3 | | PR67D | 3 | |
| AC8 | PR53C | 3 | | PR67C | 3 | |
| AE4 | PR53B | 3 | | PR67B | 3 | |
| AE3 | PR53A | 3 | | PR67A | 3 | |
| AA10 | PR52D | 3 | | PR66D | 3 | |
| AA9 | PR52C | 3 | | PR66C | 3 | |
| AD1 | PR52B | 3 | | PR66B | 3 | |
| AC1 | PR52A | 3 | | PR66A | 3 | |
| AC7 | PR51D | 3 | VREF2_3 | PR65D | 3 | VREF2_3 |
| AB7 | PR51C | 3 | | PR65C | 3 | |
| AD5 | PR51B | 3 | | PR65B | 3 | |
| AC5 | PR51A | 3 | | PR65A | 3 | |
| AE5 | PR49D | 3 | | PR62D | 3 | |
| AF5 | PR49C | 3 | | PR62C | 3 | |
| AD3 | PR49B | 3 | | PR62B | 3 | |
| AD4 | PR49A | 3 | | PR62A | 3 | |
| Y10 | PR48D | 3 | | PR61D | 3 | |
| Y9 | PR48C | 3 | | PR61C | 3 | |
| AC2 | PR48B | 3 | | PR61B | 3 | |
| AD2 | PR48A | 3 | | PR61A | 3 | |
| AC6 | PR47D | 3 | | PR60D | 3 | |
| AB6 | PR47C | 3 | | PR60C | 3 | |
| AA1 | PR47B | 3 | | PR60B | 3 | |
| AB1 | PR47A | 3 | | PR60A | 3 | |
| AA5 | PR44D | 3 | | PR53D | 3 | |
| AB5 | PR44C | 3 | | PR53C | 3 | |
| Y1 | PR44B | 3 | | PR53B | 3 | |
| W1 | PR44A | 3 | | PR53A | 3 | |
| W8 | PR43D | 3 | | PR52D | 3 | |
| Y7 | PR43C | 3 | | PR52C | 3 | |
| Y5 | PR43B | 3 | | PR52B | 3 | |
| W5 | PR43A | 3 | | PR52A | 3 | |

LFSC/M25, LFSC/M40 Logic Signal Connections: 1020 fcBGA^{1,2} (Cont.)

| Ball Number | LFSC/M25 | | | LFSC/M40 | | |
|-------------|---------------|------------|---------------|---------------|------------|---------------|
| | Ball Function | VCCIO Bank | Dual Function | Ball Function | VCCIO Bank | Dual Function |
| Y6 | PR42D | 3 | DIFFR_3 | PR51D | 3 | DIFFR_3 |
| W6 | PR42C | 3 | | PR51C | 3 | |
| Y2 | PR42B | 3 | | PR51B | 3 | |
| W2 | PR42A | 3 | | PR51A | 3 | |
| W7 | PR40D | 3 | | PR49D | 3 | |
| V8 | PR40C | 3 | | PR49C | 3 | |
| W4 | PR40B | 3 | | PR49B | 3 | |
| W3 | PR40A | 3 | | PR49A | 3 | |
| V5 | PR39D | 3 | | PR48D | 3 | |
| U6 | PR39C | 3 | | PR48C | 3 | |
| V3 | PR39B | 3 | | PR48B | 3 | |
| V4 | PR39A | 3 | | PR48A | 3 | |
| V10 | PR38D | 3 | | PR47D | 3 | |
| V9 | PR38C | 3 | | PR47C | 3 | |
| V2 | PR38B | 3 | | PR47B | 3 | |
| V1 | PR38A | 3 | | PR47A | 3 | |
| U8 | PR36D | 3 | | PR45D | 3 | |
| U7 | PR36C | 3 | | PR45C | 3 | |
| U2 | PR36B | 3 | | PR45B | 3 | |
| U1 | PR36A | 3 | | PR45A | 3 | |
| U5 | PR35D | 3 | | PR44D | 3 | |
| T6 | PR35C | 3 | | PR44C | 3 | |
| T1 | PR35B | 3 | | PR44B | 3 | |
| T2 | PR35A | 3 | | PR44A | 3 | |
| U9 | PR34D | 3 | | PR43D | 3 | |
| U10 | PR34C | 3 | VREF1_3 | PR43C | 3 | VREF1_3 |
| R1 | PR34B | 3 | | PR43B | 3 | |
| R2 | PR34A | 3 | | PR43A | 3 | |
| T7 | PR31D | 3 | PCLKC3_2 | PR40D | 3 | PCLKC3_2 |
| T8 | PR31C | 3 | PCLKT3_2 | PR40C | 3 | PCLKT3_2 |
| R4 | PR31B | 3 | | PR40B | 3 | |
| R3 | PR31A | 3 | | PR40A | 3 | |
| T5 | PR30D | 3 | PCLKC3_3 | PR39D | 3 | PCLKC3_3 |
| R5 | PR30C | 3 | PCLKT3_3 | PR39C | 3 | PCLKT3_3 |
| P2 | PR30B | 3 | | PR39B | 3 | |
| P1 | PR30A | 3 | | PR39A | 3 | |
| T9 | PR29D | 3 | PCLKC3_1 | PR38D | 3 | PCLKC3_1 |
| T10 | PR29C | 3 | PCLKT3_1 | PR38C | 3 | PCLKT3_1 |
| P4 | PR29B | 3 | PCLKC3_0 | PR38B | 3 | PCLKC3_0 |
| P3 | PR29A | 3 | PCLKT3_0 | PR38A | 3 | PCLKT3_0 |
| P5 | PR27D | 2 | PCLKC2_2 | PR36D | 2 | PCLKC2_2 |
| P6 | PR27C | 2 | PCLKT2_2 | PR36C | 2 | PCLKT2_2 |
| N1 | PR27B | 2 | PCLKC2_0 | PR36B | 2 | PCLKC2_0 |
| N2 | PR27A | 2 | PCLKT2_0 | PR36A | 2 | PCLKT2_0 |
| R9 | PR26D | 2 | PCLKC2_3 | PR35D | 2 | PCLKC2_3 |
| R8 | PR26C | 2 | PCLKT2_3 | PR35C | 2 | PCLKT2_3 |
| M1 | PR26B | 2 | PCLKC2_1 | PR35B | 2 | PCLKC2_1 |
| L1 | PR26A | 2 | PCLKT2_1 | PR35A | 2 | PCLKT2_1 |
| N9 | PR25D | 2 | DIFFR_2 | PR23D | 2 | DIFFR_2 |
| M9 | PR25C | 2 | VREF1_2 | PR23C | 2 | VREF1_2 |

LFSC/M25, LFSC/M40 Logic Signal Connections: 1020 fcBGA^{1,2} (Cont.)

| Ball Number | LFSC/M25 | | | LFSC/M40 | | |
|-------------|---------------|------------|-----------------------------|---------------|------------|-----------------------------|
| | Ball Function | VCCIO Bank | Dual Function | Ball Function | VCCIO Bank | Dual Function |
| H1 | PR25B | 2 | | PR23B | 2 | |
| H2 | PR25A | 2 | | PR23A | 2 | |
| N8 | PR22D | 2 | | PR25D | 2 | |
| M8 | PR22C | 2 | | PR25C | 2 | |
| H4 | PR22B | 2 | | PR25B | 2 | |
| J4 | PR22A | 2 | | PR25A | 2 | |
| G1 | PR21B | 2 | | PR22B | 2 | |
| G2 | PR21A | 2 | | PR22A | 2 | |
| L7 | PR20D | 2 | | PR21D | 2 | |
| L8 | PR20C | 2 | | PR21C | 2 | |
| F2 | PR20B | 2 | | PR21B | 2 | |
| F1 | PR20A | 2 | | PR21A | 2 | |
| K5 | PR18D | 2 | VREF2_2 | PR18D | 2 | VREF2_2 |
| J5 | PR18C | 2 | | PR18C | 2 | |
| E2 | PR18B | 2 | URC_DLLC_IN_D/URC_DLLC_FB_C | PR18B | 2 | URC_DLLC_IN_D/URC_DLLC_FB_C |
| E1 | PR18A | 2 | URC_DLLT_IN_D/URC_DLLT_FB_C | PR18A | 2 | URC_DLLT_IN_D/URC_DLLT_FB_C |
| N10 | PR17D | 2 | URC_PLLC_IN_B/URC_PLLC_FB_A | PR17D | 2 | URC_PLLC_IN_B/URC_PLLC_FB_A |
| M10 | PR17C | 2 | URC_PLLT_IN_B/URC_PLLT_FB_A | PR17C | 2 | URC_PLLT_IN_B/URC_PLLT_FB_A |
| D2 | PR17B | 2 | URC_DLLC_IN_C/URC_DLLC_FB_D | PR17B | 2 | URC_DLLC_IN_C/URC_DLLC_FB_D |
| D1 | PR17A | 2 | URC_DLLT_IN_C/URC_DLLT_FB_D | PR17A | 2 | URC_DLLT_IN_C/URC_DLLT_FB_D |
| K6 | PR16D | 2 | | PR16D | 2 | |
| K7 | PR16C | 2 | | PR16C | 2 | |
| J8 | PR16B | 2 | URC_PLLC_IN_A/URC_PLLC_FB_B | PR16B | 2 | URC_PLLC_IN_A/URC_PLLC_FB_B |
| K8 | PR16A | 2 | URC_PLLT_IN_A/URC_PLLT_FB_B | PR16A | 2 | URC_PLLT_IN_A/URC_PLLT_FB_B |
| J10 | VCCJ | - | | VCCJ | - | |
| J9 | TDO | - | TDO | TDO | - | TDO |
| K9 | TMS | - | | TMS | - | |
| J12 | TCK | - | | TCK | - | |
| J13 | TDI | - | | TDI | - | |
| K12 | PROGRAMN | 1 | | PROGRAMN | 1 | |
| K13 | MPIIRQN | 1 | CFGIRQN/MPI_IRQ_N | MPIIRQN | 1 | CFGIRQN/MPI_IRQ_N |
| K10 | CCLK | 1 | | CCLK | 1 | |
| F5 | RESP_URC | - | | RESP_URC | - | |
| B5 | VCC12 | - | | VCC12 | - | |
| D5 | A_REFCLKN_R | - | | A_REFCLKN_R | - | |
| C5 | A_REFCLKP_R | - | | A_REFCLKP_R | - | |
| B2 | A_VDDIB0_R | - | | A_VDDIB0_R | - | |
| C1 | A_HDINP0_R | - | PCS 3E0 CH 0 IN P | A_HDINP0_R | - | PCS 3E0 CH 0 IN P |
| C2 | A_HDINN0_R | - | PCS 3E0 CH 0 IN N | A_HDINN0_R | - | PCS 3E0 CH 0 IN N |
| A3 | A_HDOUTP0_R | - | PCS 3E0 CH 0 OUT P | A_HDOUTP0_R | - | PCS 3E0 CH 0 OUT P |
| D3 | A_VDDOB0_R | - | | A_VDDOB0_R | - | |
| B3 | A_HDOUTN0_R | - | PCS 3E0 CH 0 OUT N | A_HDOUTN0_R | - | PCS 3E0 CH 0 OUT N |
| D4 | A_VDDOB1_R | - | | A_VDDOB1_R | - | |
| B4 | A_HDOUTN1_R | - | PCS 3E0 CH 1 OUT N | A_HDOUTN1_R | - | PCS 3E0 CH 1 OUT N |
| A4 | A_HDOUTP1_R | - | PCS 3E0 CH 1 OUT P | A_HDOUTP1_R | - | PCS 3E0 CH 1 OUT P |
| H5 | A_HDINN1_R | - | PCS 3E0 CH 1 IN N | A_HDINN1_R | - | PCS 3E0 CH 1 IN N |
| G5 | A_HDINP1_R | - | PCS 3E0 CH 1 IN P | A_HDINP1_R | - | PCS 3E0 CH 1 IN P |
| F4 | A_VDDIB1_R | - | | A_VDDIB1_R | - | |
| H6 | A_VDDIB2_R | - | | A_VDDIB2_R | - | |
| F6 | A_HDINP2_R | - | PCS 3E0 CH 2 IN P | A_HDINP2_R | - | PCS 3E0 CH 2 IN P |

LFSC/M25, LFSC/M40 Logic Signal Connections: 1020 fcBGA^{1,2} (Cont.)

| Ball Number | LFSC/M25 | | | LFSC/M40 | | |
|-------------|---------------|------------|--------------------|---------------|------------|--------------------|
| | Ball Function | VCCIO Bank | Dual Function | Ball Function | VCCIO Bank | Dual Function |
| G6 | A_HDINN2_R | - | PCS 3E0 CH 2 IN N | A_HDINN2_R | - | PCS 3E0 CH 2 IN N |
| A6 | A_HDOUTP2_R | - | PCS 3E0 CH 2 OUT P | A_HDOUTP2_R | - | PCS 3E0 CH 2 OUT P |
| D6 | A_VDDOB2_R | - | | A_VDDOB2_R | - | |
| B6 | A_HDOUTN2_R | - | PCS 3E0 CH 2 OUT N | A_HDOUTN2_R | - | PCS 3E0 CH 2 OUT N |
| D7 | A_VDDOB3_R | - | | A_VDDOB3_R | - | |
| B7 | A_HDOUTN3_R | - | PCS 3E0 CH 3 OUT N | A_HDOUTN3_R | - | PCS 3E0 CH 3 OUT N |
| A7 | A_HDOUTP3_R | - | PCS 3E0 CH 3 OUT P | A_HDOUTP3_R | - | PCS 3E0 CH 3 OUT P |
| G7 | A_HDINN3_R | - | PCS 3E0 CH 3 IN N | A_HDINN3_R | - | PCS 3E0 CH 3 IN N |
| F7 | A_HDINP3_R | - | PCS 3E0 CH 3 IN P | A_HDINP3_R | - | PCS 3E0 CH 3 IN P |
| H7 | A_VDDIB3_R | - | | A_VDDIB3_R | - | |
| H8 | B_VDDIB0_R | - | | B_VDDIB0_R | - | |
| F8 | B_HDINP0_R | - | PCS 3E1 CH 0 IN P | B_HDINP0_R | - | PCS 3E1 CH 0 IN P |
| G8 | B_HDINN0_R | - | PCS 3E1 CH 0 IN N | B_HDINN0_R | - | PCS 3E1 CH 0 IN N |
| A8 | B_HDOUTP0_R | - | PCS 3E1 CH 0 OUT P | B_HDOUTP0_R | - | PCS 3E1 CH 0 OUT P |
| D8 | B_VDDOB0_R | - | | B_VDDOB0_R | - | |
| B8 | B_HDOUTN0_R | - | PCS 3E1 CH 0 OUT N | B_HDOUTN0_R | - | PCS 3E1 CH 0 OUT N |
| D9 | B_VDDOB1_R | - | | B_VDDOB1_R | - | |
| B9 | B_HDOUTN1_R | - | PCS 3E1 CH 1 OUT N | B_HDOUTN1_R | - | PCS 3E1 CH 1 OUT N |
| A9 | B_HDOUTP1_R | - | PCS 3E1 CH 1 OUT P | B_HDOUTP1_R | - | PCS 3E1 CH 1 OUT P |
| H10 | B_HDINN1_R | - | PCS 3E1 CH 1 IN N | B_HDINN1_R | - | PCS 3E1 CH 1 IN N |
| G10 | B_HDINP1_R | - | PCS 3E1 CH 1 IN P | B_HDINP1_R | - | PCS 3E1 CH 1 IN P |
| H9 | B_VDDIB1_R | - | | B_VDDIB1_R | - | |
| H11 | B_VDDIB2_R | - | | B_VDDIB2_R | - | |
| F11 | B_HDINP2_R | - | PCS 3E1 CH 2 IN P | B_HDINP2_R | - | PCS 3E1 CH 2 IN P |
| G11 | B_HDINN2_R | - | PCS 3E1 CH 2 IN N | B_HDINN2_R | - | PCS 3E1 CH 2 IN N |
| A11 | B_HDOUTP2_R | - | PCS 3E1 CH 2 OUT P | B_HDOUTP2_R | - | PCS 3E1 CH 2 OUT P |
| D11 | B_VDDOB2_R | - | | B_VDDOB2_R | - | |
| B11 | B_HDOUTN2_R | - | PCS 3E1 CH 2 OUT N | B_HDOUTN2_R | - | PCS 3E1 CH 2 OUT N |
| D12 | B_VDDOB3_R | - | | B_VDDOB3_R | - | |
| B12 | B_HDOUTN3_R | - | PCS 3E1 CH 3 OUT N | B_HDOUTN3_R | - | PCS 3E1 CH 3 OUT N |
| A12 | B_HDOUTP3_R | - | PCS 3E1 CH 3 OUT P | B_HDOUTP3_R | - | PCS 3E1 CH 3 OUT P |
| G12 | B_HDINN3_R | - | PCS 3E1 CH 3 IN N | B_HDINN3_R | - | PCS 3E1 CH 3 IN N |
| F12 | B_HDINP3_R | - | PCS 3E1 CH 3 IN P | B_HDINP3_R | - | PCS 3E1 CH 3 IN P |
| H12 | B_VDDIB3_R | - | | B_VDDIB3_R | - | |
| B10 | VCC12 | - | | VCC12 | - | |
| D10 | B_REFCLKN_R | - | | B_REFCLKN_R | - | |
| C10 | B_REFCLKP_R | - | | B_REFCLKP_R | - | |
| J15 | PT49D | 1 | HDC/SI | PT61D | 1 | HDC/SI |
| K15 | PT49C | 1 | LDCN/SCS | PT61C | 1 | LDCN/SCS |
| E13 | PT49B | 1 | D8/MPI_DATA8 | PT59B | 1 | D8/MPI_DATA8 |
| F13 | PT49A | 1 | CS1/MPI_CS1 | PT59A | 1 | CS1/MPI_CS1 |
| H13 | PT47D | 1 | D9/MPI_DATA9 | PT58D | 1 | D9/MPI_DATA9 |
| G13 | PT47C | 1 | D10/MPI_DATA10 | PT58C | 1 | D10/MPI_DATA10 |
| E14 | PT47B | 1 | CS0N/MPI_CS0N | PT57B | 1 | CS0N/MPI_CS0N |
| F14 | PT47A | 1 | RDN/MPI_STRB_N | PT57A | 1 | RDN/MPI_STRB_N |
| H14 | PT46D | 1 | WRN/MPI_WR_N | PT55D | 1 | WRN/MPI_WR_N |
| G14 | PT46C | 1 | D7/MPI_DATA7 | PT55C | 1 | D7/MPI_DATA7 |
| D13 | PT46B | 1 | D6/MPI_DATA6 | PT55B | 1 | D6/MPI_DATA6 |
| D14 | PT46A | 1 | D5/MPI_DATA5 | PT55A | 1 | D5/MPI_DATA5 |
| E15 | PT45D | 1 | D4/MPI_DATA4 | PT54D | 1 | D4/MPI_DATA4 |

LFSC/M25, LFSC/M40 Logic Signal Connections: 1020 fcBGA^{1,2} (Cont.)

| Ball Number | LFSC/M25 | | | LFSC/M40 | | |
|-------------|---------------|------------|-------------------------|---------------|------------|-------------------------|
| | Ball Function | VCCIO Bank | Dual Function | Ball Function | VCCIO Bank | Dual Function |
| E16 | PT45C | 1 | D3/MPI_DATA3 | PT54C | 1 | D3/MPI_DATA3 |
| C13 | PT45B | 1 | D2/MPI_DATA2 | PT53B | 1 | D2/MPI_DATA2 |
| C14 | PT45A | 1 | D1/MPI_DATA1 | PT53A | 1 | D1/MPI_DATA1 |
| B14 | PT43B | 1 | D0/MPI_DATA0 | PT51B | 1 | D0/MPI_DATA0 |
| B13 | PT43A | 1 | QOUT/CEON | PT51A | 1 | QOUT/CEON |
| L13 | PT42D | 1 | VREF2_1 | PT50D | 1 | VREF2_1 |
| C15 | PT42B | 1 | DOUT | PT50B | 1 | DOUT |
| D15 | PT42A | 1 | MCA_DONE_IN | PT50A | 1 | MCA_DONE_IN |
| J16 | PT41B | 1 | MCA_CLK_P1_OUT | PT49B | 1 | MCA_CLK_P1_OUT |
| K16 | PT41A | 1 | MCA_CLK_P1_IN | PT49A | 1 | MCA_CLK_P1_IN |
| H15 | PT39D | 1 | D21/PCLKC1_1/MPI_DATA21 | PT47D | 1 | D21/PCLKC1_1/MPI_DATA21 |
| H16 | PT39C | 1 | D22/PCLKT1_1/MPI_DATA22 | PT47C | 1 | D22/PCLKT1_1/MPI_DATA22 |
| A14 | PT39B | 1 | MCA_CLK_P2_OUT | PT47B | 1 | MCA_CLK_P2_OUT |
| A13 | PT39A | 1 | MCA_CLK_P2_IN | PT47A | 1 | MCA_CLK_P2_IN |
| G16 | PT38D | 1 | MCA_DONE_OUT | PT46D | 1 | MCA_DONE_OUT |
| F16 | PT38C | 1 | BUSYN/RCLK/SCK | PT46C | 1 | BUSYN/RCLK/SCK |
| B16 | PT38B | 1 | DP0/MPI_PAR0 | PT46B | 1 | DP0/MPI_PAR0 |
| B15 | PT38A | 1 | MPI_TA | PT46A | 1 | MPI_TA |
| L16 | PT37C | 1 | DP2/MPI_PAR2 | PT45C | 1 | DP2/MPI_PAR2 |
| A16 | PT37B | 1 | PCLKC1_0 | PT45B | 1 | PCLKC1_0 |
| A15 | PT37A | 1 | PCLKT1_0/MPI_CLK | PT45A | 1 | PCLKT1_0/MPI_CLK |
| L17 | PT35C | 1 | D24/PCLKT1_4/MPI_DATA24 | PT43C | 1 | D24/PCLKT1_4/MPI_DATA24 |
| A17 | PT35B | 1 | MPI_RETRY | PT43B | 1 | MPI_RETRY |
| A18 | PT35A | 1 | A0/MPI_ADDR14 | PT43A | 1 | A0/MPI_ADDR14 |
| F17 | PT33D | 1 | A1/MPI_ADDR15 | PT42D | 1 | A1/MPI_ADDR15 |
| G17 | PT33C | 1 | A2/MPI_ADDR16 | PT42C | 1 | A2/MPI_ADDR16 |
| B17 | PT33B | 1 | A3/MPI_ADDR17 | PT42B | 1 | A3/MPI_ADDR17 |
| B18 | PT33A | 1 | A4/MPI_ADDR18 | PT42A | 1 | A4/MPI_ADDR18 |
| H17 | PT32D | 1 | D25/PCLKC1_5/MPI_DATA25 | PT41D | 1 | D25/PCLKC1_5/MPI_DATA25 |
| H18 | PT32C | 1 | D26/PCLKT1_5/MPI_DATA26 | PT41C | 1 | D26/PCLKT1_5/MPI_DATA26 |
| A19 | PT32B | 1 | A5/MPI_ADDR19 | PT41B | 1 | A5/MPI_ADDR19 |
| A20 | PT32A | 1 | A6/MPI_ADDR20 | PT41A | 1 | A6/MPI_ADDR20 |
| L20 | PT31C | 1 | VREF1_1 | PT39C | 1 | VREF1_1 |
| J17 | PT31B | 1 | A7/MPI_ADDR21 | PT39B | 1 | A7/MPI_ADDR21 |
| K17 | PT31A | 1 | A8/MPI_ADDR22 | PT39A | 1 | A8/MPI_ADDR22 |
| C18 | PT29B | 1 | A9/MPI_ADDR23 | PT38B | 1 | A9/MPI_ADDR23 |
| D18 | PT29A | 1 | A10/MPI_ADDR24 | PT38A | 1 | A10/MPI_ADDR24 |
| B19 | PT28B | 1 | A11/MPI_ADDR25 | PT37B | 1 | A11/MPI_ADDR25 |
| B20 | PT28A | 1 | A12/MPI_ADDR26 | PT37A | 1 | A12/MPI_ADDR26 |
| E17 | PT27D | 1 | D11/MPI_DATA11 | PT35D | 1 | D11/MPI_DATA11 |
| E18 | PT27C | 1 | D12/MPI_DATA12 | PT35C | 1 | D12/MPI_DATA12 |
| C20 | PT27B | 1 | A13/MPI_ADDR27 | PT35B | 1 | A13/MPI_ADDR27 |
| C19 | PT27A | 1 | A14/MPI_ADDR28 | PT35A | 1 | A14/MPI_ADDR28 |
| H19 | PT25D | 1 | A16/MPI_ADDR30 | PT33D | 1 | A16/MPI_ADDR30 |
| G19 | PT25C | 1 | D13/MPI_DATA13 | PT33C | 1 | D13/MPI_DATA13 |
| D20 | PT25B | 1 | A15/MPI_ADDR29 | PT33B | 1 | A15/MPI_ADDR29 |
| D19 | PT25A | 1 | A17/MPI_ADDR31 | PT33A | 1 | A17/MPI_ADDR31 |
| H20 | PT24D | 1 | A19/MPI_TSIZ1 | PT30D | 1 | A19/MPI_TSIZ1 |
| G20 | PT24C | 1 | A20/MPI_BDIP | PT30C | 1 | A20/MPI_BDIP |
| E19 | PT24B | 1 | A18/MPI_TSIZ0 | PT30B | 1 | A18/MPI_TSIZ0 |

LFSC/M25, LFSC/M40 Logic Signal Connections: 1020 fcBGA^{1,2} (Cont.)

| Ball Number | LFSC/M25 | | | LFSC/M40 | | |
|-------------|---------------|------------|--------------------|---------------|------------|--------------------|
| | Ball Function | VCCIO Bank | Dual Function | Ball Function | VCCIO Bank | Dual Function |
| F19 | PT24A | 1 | MPI_TEA | PT30A | 1 | MPI_TEA |
| J18 | PT23D | 1 | D14/MPI_DATA14 | PT28D | 1 | D14/MPI_DATA14 |
| K18 | PT23C | 1 | DP1/MPI_PAR1 | PT28C | 1 | DP1/MPI_PAR1 |
| E20 | PT23B | 1 | A21/MPI_BURST | PT27B | 1 | A21/MPI_BURST |
| F20 | PT23A | 1 | D15/MPI_DATA15 | PT27A | 1 | D15/MPI_DATA15 |
| C23 | B_REFCLKP_L | - | | B_REFCLKP_L | - | |
| D23 | B_REFCLKN_L | - | | B_REFCLKN_L | - | |
| B23 | VCC12 | - | | VCC12 | - | |
| H21 | B_VDDIB3_L | - | | B_VDDIB3_L | - | |
| F21 | B_HDINP3_L | - | PCS 361 CH 3 IN P | B_HDINP3_L | - | PCS 361 CH 3 IN P |
| G21 | B_HDINN3_L | - | PCS 361 CH 3 IN N | B_HDINN3_L | - | PCS 361 CH 3 IN N |
| A21 | B_HDOUTP3_L | - | PCS 361 CH 3 OUT P | B_HDOUTP3_L | - | PCS 361 CH 3 OUT P |
| B21 | B_HDOUTN3_L | - | PCS 361 CH 3 OUT N | B_HDOUTN3_L | - | PCS 361 CH 3 OUT N |
| D21 | B_VDDOB3_L | - | | B_VDDOB3_L | - | |
| B22 | B_HDOUTN2_L | - | PCS 361 CH 2 OUT N | B_HDOUTN2_L | - | PCS 361 CH 2 OUT N |
| D22 | B_VDDOB2_L | - | | B_VDDOB2_L | - | |
| A22 | B_HDOUTP2_L | - | PCS 361 CH 2 OUT P | B_HDOUTP2_L | - | PCS 361 CH 2 OUT P |
| G22 | B_HDINN2_L | - | PCS 361 CH 2 IN N | B_HDINN2_L | - | PCS 361 CH 2 IN N |
| F22 | B_HDINP2_L | - | PCS 361 CH 2 IN P | B_HDINP2_L | - | PCS 361 CH 2 IN P |
| H22 | B_VDDIB2_L | - | | B_VDDIB2_L | - | |
| H24 | B_VDDIB1_L | - | | B_VDDIB1_L | - | |
| G23 | B_HDINP1_L | - | PCS 361 CH 1 IN P | B_HDINP1_L | - | PCS 361 CH 1 IN P |
| H23 | B_HDINN1_L | - | PCS 361 CH 1 IN N | B_HDINN1_L | - | PCS 361 CH 1 IN N |
| A24 | B_HDOUTP1_L | - | PCS 361 CH 1 OUT P | B_HDOUTP1_L | - | PCS 361 CH 1 OUT P |
| B24 | B_HDOUTN1_L | - | PCS 361 CH 1 OUT N | B_HDOUTN1_L | - | PCS 361 CH 1 OUT N |
| D24 | B_VDDOB1_L | - | | B_VDDOB1_L | - | |
| B25 | B_HDOUTN0_L | - | PCS 361 CH 0 OUT N | B_HDOUTN0_L | - | PCS 361 CH 0 OUT N |
| D25 | B_VDDOB0_L | - | | B_VDDOB0_L | - | |
| A25 | B_HDOUTP0_L | - | PCS 361 CH 0 OUT P | B_HDOUTP0_L | - | PCS 361 CH 0 OUT P |
| G25 | B_HDINN0_L | - | PCS 361 CH 0 IN N | B_HDINN0_L | - | PCS 361 CH 0 IN N |
| F25 | B_HDINP0_L | - | PCS 361 CH 0 IN P | B_HDINP0_L | - | PCS 361 CH 0 IN P |
| H25 | B_VDDIB0_L | - | | B_VDDIB0_L | - | |
| H26 | A_VDDIB3_L | - | | A_VDDIB3_L | - | |
| F26 | A_HDINP3_L | - | PCS 360 CH 3 IN P | A_HDINP3_L | - | PCS 360 CH 3 IN P |
| G26 | A_HDINN3_L | - | PCS 360 CH 3 IN N | A_HDINN3_L | - | PCS 360 CH 3 IN N |
| A26 | A_HDOUTP3_L | - | PCS 360 CH 3 OUT P | A_HDOUTP3_L | - | PCS 360 CH 3 OUT P |
| B26 | A_HDOUTN3_L | - | PCS 360 CH 3 OUT N | A_HDOUTN3_L | - | PCS 360 CH 3 OUT N |
| D26 | A_VDDOB3_L | - | | A_VDDOB3_L | - | |
| B27 | A_HDOUTN2_L | - | PCS 360 CH 2 OUT N | A_HDOUTN2_L | - | PCS 360 CH 2 OUT N |
| D27 | A_VDDOB2_L | - | | A_VDDOB2_L | - | |
| A27 | A_HDOUTP2_L | - | PCS 360 CH 2 OUT P | A_HDOUTP2_L | - | PCS 360 CH 2 OUT P |
| G27 | A_HDINN2_L | - | PCS 360 CH 2 IN N | A_HDINN2_L | - | PCS 360 CH 2 IN N |
| F27 | A_HDINP2_L | - | PCS 360 CH 2 IN P | A_HDINP2_L | - | PCS 360 CH 2 IN P |
| H27 | A_VDDIB2_L | - | | A_VDDIB2_L | - | |
| F29 | A_VDDIB1_L | - | | A_VDDIB1_L | - | |
| G28 | A_HDINP1_L | - | PCS 360 CH 1 IN P | A_HDINP1_L | - | PCS 360 CH 1 IN P |
| H28 | A_HDINN1_L | - | PCS 360 CH 1 IN N | A_HDINN1_L | - | PCS 360 CH 1 IN N |
| A29 | A_HDOUTP1_L | - | PCS 360 CH 1 OUT P | A_HDOUTP1_L | - | PCS 360 CH 1 OUT P |
| B29 | A_HDOUTN1_L | - | PCS 360 CH 1 OUT N | A_HDOUTN1_L | - | PCS 360 CH 1 OUT N |
| D29 | A_VDDOB1_L | - | | A_VDDOB1_L | - | |

LFSC/M25, LFSC/M40 Logic Signal Connections: 1020 fcBGA^{1,2} (Cont.)

| Ball Number | LFSC/M25 | | | LFSC/M40 | | |
|-------------|---------------|------------|--------------------|---------------|------------|--------------------|
| | Ball Function | VCCIO Bank | Dual Function | Ball Function | VCCIO Bank | Dual Function |
| B30 | A_HDOUTN0_L | - | PCS 360 CH 0 OUT N | A_HDOUTN0_L | - | PCS 360 CH 0 OUT N |
| D30 | A_VDDOB0_L | - | | A_VDDOB0_L | - | |
| A30 | A_HDOUTP0_L | - | PCS 360 CH 0 OUT P | A_HDOUTP0_L | - | PCS 360 CH 0 OUT P |
| C31 | A_HDINN0_L | - | PCS 360 CH 0 IN N | A_HDINN0_L | - | PCS 360 CH 0 IN N |
| C32 | A_HDINP0_L | - | PCS 360 CH 0 IN P | A_HDINP0_L | - | PCS 360 CH 0 IN P |
| B31 | A_VDDIB0_L | - | | A_VDDIB0_L | - | |
| AL25 | NC | - | | PB26A | 5 | |
| AL24 | NC | - | | PB26B | 5 | |
| AG27 | NC | - | | PB26C | 5 | |
| AH27 | NC | - | | PB26D | 5 | |
| AM25 | NC | - | | PB27A | 5 | |
| AM24 | NC | - | | PB27B | 5 | |
| AL9 | NC | - | | PB62A | 4 | |
| AL8 | NC | - | | PB62B | 4 | |
| AK9 | NC | - | | PB63A | 4 | |
| AJ9 | NC | - | | PB63B | 4 | |
| AG10 | NC | - | | PB63C | 4 | |
| AG11 | NC | - | | PB63D | 4 | |
| J30 | NC | - | | PL26A | 7 | |
| H30 | NC | - | | PL26B | 7 | |
| M28 | NC | - | | PL26C | 7 | |
| N28 | NC | - | | PL26D | 7 | |
| J32 | NC | - | | PL27A | 7 | |
| J31 | NC | - | | PL27B | 7 | |
| N26 | NC | - | | PL27C | 7 | |
| N27 | NC | - | | PL27D | 7 | |
| K31 | NC | - | | PL29A | 7 | |
| K32 | NC | - | | PL29B | 7 | |
| P25 | NC | - | | PL29C | 7 | |
| P26 | NC | - | | PL29D | 7 | |
| L27 | NC | - | | PL22C | 7 | |
| L28 | NC | - | | PL22D | 7 | |
| M29 | NC | - | | PL30A | 7 | |
| L29 | NC | - | | PL30B | 7 | |
| M30 | NC | - | | PL31A | 7 | |
| L30 | NC | - | | PL31B | 7 | |
| L31 | NC | - | | PL34A | 7 | |
| M31 | NC | - | | PL34B | 7 | |
| AA29 | NC | - | | PL56A | 6 | |
| AA30 | NC | - | | PL56B | 6 | |
| AB31 | NC | - | | PL57A | 6 | |
| AA31 | NC | - | | PL57B | 6 | |
| AG30 | NC | - | | PL57C | 6 | |
| AG29 | NC | - | | PL57D | 6 | |
| AB29 | NC | - | | PL58A | 6 | |
| AB30 | NC | - | | PL58B | 6 | |
| Y25 | NC | - | | PL58C | 6 | |
| AA25 | NC | - | | PL58D | 6 | |
| AA8 | NC | - | | PR58D | 3 | |
| Y8 | NC | - | | PR58C | 3 | |

LFSC/M25, LFSC/M40 Logic Signal Connections: 1020 fcBGA^{1,2} (Cont.)

| Ball Number | LFSC/M25 | | | LFSC/M40 | | |
|-------------|---------------|------------|---------------|---------------|------------|---------------|
| | Ball Function | VCCIO Bank | Dual Function | Ball Function | VCCIO Bank | Dual Function |
| AB3 | NC | - | | PR58B | 3 | |
| AB4 | NC | - | | PR58A | 3 | |
| AG4 | NC | - | | PR57D | 3 | |
| AG3 | NC | - | | PR57C | 3 | |
| AA2 | NC | - | | PR57B | 3 | |
| AB2 | NC | - | | PR57A | 3 | |
| AA3 | NC | - | | PR56B | 3 | |
| AA4 | NC | - | | PR56A | 3 | |
| L5 | NC | - | | PR22D | 2 | |
| L6 | NC | - | | PR22C | 2 | |
| M2 | NC | - | | PR34B | 2 | |
| L2 | NC | - | | PR34A | 2 | |
| L3 | NC | - | | PR31B | 2 | |
| M3 | NC | - | | PR31A | 2 | |
| L4 | NC | - | | PR30B | 2 | |
| M4 | NC | - | | PR30A | 2 | |
| P7 | NC | - | | PR29D | 2 | |
| P8 | NC | - | | PR29C | 2 | |
| K1 | NC | - | | PR29B | 2 | |
| K2 | NC | - | | PR29A | 2 | |
| N6 | NC | - | | PR27D | 2 | |
| N7 | NC | - | | PR27C | 2 | |
| J2 | NC | - | | PR27B | 2 | |
| J1 | NC | - | | PR27A | 2 | |
| N5 | NC | - | | PR26D | 2 | |
| M5 | NC | - | | PR26C | 2 | |
| H3 | NC | - | | PR26B | 2 | |
| J3 | NC | - | | PR26A | 2 | |
| A5 | VDDAX25_R | - | | VDDAX25_R | - | |
| A28 | VDDAX25_L | - | | VDDAX25_L | - | |
| AJ25 | NC | - | | PB21A | 5 | |
| AK25 | NC | - | | PB21B | 5 | |
| AF20 | NC | - | | PB27C | 5 | |
| AG6 | NC | - | | PB62C | 4 | |
| AM7 | NC | - | | PB66A | 4 | |
| AL7 | NC | - | | PB66B | 4 | |
| AD13 | NC | - | | PB66C | 4 | |
| AC13 | NC | - | | PB66D | 4 | |
| AC20 | NC | - | | PB22C | 5 | |
| AD20 | NC | - | | PB22D | 5 | |
| AM9 | NC | - | | PB61A | 4 | |
| AM8 | NC | - | | PB61B | 4 | |
| AF13 | NC | - | | PB61C | 4 | |
| AE13 | NC | - | | PB61D | 4 | |
| E30 | VCC12 | - | | VCC12 | - | |
| E29 | VCC12 | - | | VCC12 | - | |
| E27 | VCC12 | - | | VCC12 | - | |
| E26 | VCC12 | - | | VCC12 | - | |
| E25 | VCC12 | - | | VCC12 | - | |
| E24 | VCC12 | - | | VCC12 | - | |

LFSC/M25, LFSC/M40 Logic Signal Connections: 1020 fcBGA^{1,2} (Cont.)

| Ball Number | LFSC/M25 | | | LFSC/M40 | | |
|-------------|---------------|------------|---------------|---------------|------------|---------------|
| | Ball Function | VCCIO Bank | Dual Function | Ball Function | VCCIO Bank | Dual Function |
| E22 | VCC12 | - | | VCC12 | - | |
| E21 | VCC12 | - | | VCC12 | - | |
| E3 | VCC12 | - | | VCC12 | - | |
| E4 | VCC12 | - | | VCC12 | - | |
| E6 | VCC12 | - | | VCC12 | - | |
| E7 | VCC12 | - | | VCC12 | - | |
| E8 | VCC12 | - | | VCC12 | - | |
| E9 | VCC12 | - | | VCC12 | - | |
| E11 | VCC12 | - | | VCC12 | - | |
| E12 | VCC12 | - | | VCC12 | - | |
| A23 | GND | - | | GND | - | |
| A31 | GND | - | | GND | - | |
| AA13 | GND | - | | GND | - | |
| AA15 | GND | - | | GND | - | |
| AA18 | GND | - | | GND | - | |
| AA20 | GND | - | | GND | - | |
| AA26 | GND | - | | GND | - | |
| AA6 | GND | - | | GND | - | |
| AB10 | GND | - | | GND | - | |
| AB24 | GND | - | | GND | - | |
| AC14 | GND | - | | GND | - | |
| AC22 | GND | - | | GND | - | |
| AC29 | GND | - | | GND | - | |
| AC3 | GND | - | | GND | - | |
| AD11 | GND | - | | GND | - | |
| AD19 | GND | - | | GND | - | |
| AD27 | GND | - | | GND | - | |
| AD7 | GND | - | | GND | - | |
| AF12 | GND | - | | GND | - | |
| AF18 | GND | - | | GND | - | |
| AF24 | GND | - | | GND | - | |
| AF30 | GND | - | | GND | - | |
| AF4 | GND | - | | GND | - | |
| AG15 | GND | - | | GND | - | |
| AG21 | GND | - | | GND | - | |
| AG9 | GND | - | | GND | - | |
| AJ10 | GND | - | | GND | - | |
| AJ16 | GND | - | | GND | - | |
| AJ20 | GND | - | | GND | - | |
| AJ26 | GND | - | | GND | - | |
| AJ29 | GND | - | | GND | - | |
| AJ4 | GND | - | | GND | - | |
| AK13 | GND | - | | GND | - | |
| AK17 | GND | - | | GND | - | |
| AK23 | GND | - | | GND | - | |
| AK7 | GND | - | | GND | - | |
| AL1 | GND | - | | GND | - | |
| AL32 | GND | - | | GND | - | |
| AM2 | GND | - | | GND | - | |
| AM31 | GND | - | | GND | - | |

LFSC/M25, LFSC/M40 Logic Signal Connections: 1020 fcBGA^{1,2} (Cont.)

| Ball Number | LFSC/M25 | | | LFSC/M40 | | |
|-------------|---------------|------------|---------------|---------------|------------|---------------|
| | Ball Function | VCCIO Bank | Dual Function | Ball Function | VCCIO Bank | Dual Function |
| B1 | GND | - | | GND | - | |
| B32 | GND | - | | GND | - | |
| C11 | GND | - | | GND | - | |
| C12 | GND | - | | GND | - | |
| C16 | GND | - | | GND | - | |
| C21 | GND | - | | GND | - | |
| C22 | GND | - | | GND | - | |
| C24 | GND | - | | GND | - | |
| C25 | GND | - | | GND | - | |
| C26 | GND | - | | GND | - | |
| C27 | GND | - | | GND | - | |
| C29 | GND | - | | GND | - | |
| C3 | GND | - | | GND | - | |
| C30 | GND | - | | GND | - | |
| C4 | GND | - | | GND | - | |
| C6 | GND | - | | GND | - | |
| C7 | GND | - | | GND | - | |
| C8 | GND | - | | GND | - | |
| C9 | GND | - | | GND | - | |
| D17 | GND | - | | GND | - | |
| F18 | GND | - | | GND | - | |
| F3 | GND | - | | GND | - | |
| F30 | GND | - | | GND | - | |
| F9 | GND | - | | GND | - | |
| G15 | GND | - | | GND | - | |
| G24 | GND | - | | GND | - | |
| G29 | GND | - | | GND | - | |
| G3 | GND | - | | GND | - | |
| J14 | GND | - | | GND | - | |
| J22 | GND | - | | GND | - | |
| J26 | GND | - | | GND | - | |
| J6 | GND | - | | GND | - | |
| K11 | GND | - | | GND | - | |
| K19 | GND | - | | GND | - | |
| K30 | GND | - | | GND | - | |
| K4 | GND | - | | GND | - | |
| L23 | GND | - | | GND | - | |
| L9 | GND | - | | GND | - | |
| M13 | GND | - | | GND | - | |
| M15 | GND | - | | GND | - | |
| M18 | GND | - | | GND | - | |
| M20 | GND | - | | GND | - | |
| M27 | GND | - | | GND | - | |
| M7 | GND | - | | GND | - | |
| N12 | GND | - | | GND | - | |
| N14 | GND | - | | GND | - | |
| N19 | GND | - | | GND | - | |
| N21 | GND | - | | GND | - | |
| N29 | GND | - | | GND | - | |
| N3 | GND | - | | GND | - | |

LFSC/M25, LFSC/M40 Logic Signal Connections: 1020 fcBGA^{1,2} (Cont.)

| Ball Number | LFSC/M25 | | | LFSC/M40 | | |
|-------------|---------------|------------|---------------|---------------|------------|---------------|
| | Ball Function | VCCIO Bank | Dual Function | Ball Function | VCCIO Bank | Dual Function |
| P10 | GND | - | | GND | - | |
| P13 | GND | - | | GND | - | |
| P15 | GND | - | | GND | - | |
| P18 | GND | - | | GND | - | |
| P20 | GND | - | | GND | - | |
| P24 | GND | - | | GND | - | |
| R12 | GND | - | | GND | - | |
| R14 | GND | - | | GND | - | |
| R16 | GND | - | | GND | - | |
| R17 | GND | - | | GND | - | |
| R19 | GND | - | | GND | - | |
| R21 | GND | - | | GND | - | |
| R26 | GND | - | | GND | - | |
| R6 | GND | - | | GND | - | |
| T15 | GND | - | | GND | - | |
| T18 | GND | - | | GND | - | |
| T30 | GND | - | | GND | - | |
| T4 | GND | - | | GND | - | |
| U15 | GND | - | | GND | - | |
| U18 | GND | - | | GND | - | |
| U29 | GND | - | | GND | - | |
| U3 | GND | - | | GND | - | |
| V12 | GND | - | | GND | - | |
| V14 | GND | - | | GND | - | |
| V16 | GND | - | | GND | - | |
| V17 | GND | - | | GND | - | |
| V19 | GND | - | | GND | - | |
| V21 | GND | - | | GND | - | |
| V27 | GND | - | | GND | - | |
| V7 | GND | - | | GND | - | |
| W13 | GND | - | | GND | - | |
| W15 | GND | - | | GND | - | |
| W18 | GND | - | | GND | - | |
| W20 | GND | - | | GND | - | |
| W23 | GND | - | | GND | - | |
| W9 | GND | - | | GND | - | |
| Y12 | GND | - | | GND | - | |
| Y14 | GND | - | | GND | - | |
| Y19 | GND | - | | GND | - | |
| Y21 | GND | - | | GND | - | |
| Y30 | GND | - | | GND | - | |
| Y4 | GND | - | | GND | - | |
| N13 | VCC | - | | VCC | - | |
| N15 | VCC | - | | VCC | - | |
| N16 | VCC | - | | VCC | - | |
| N17 | VCC | - | | VCC | - | |
| N18 | VCC | - | | VCC | - | |
| N20 | VCC | - | | VCC | - | |
| P14 | VCC | - | | VCC | - | |
| P16 | VCC | - | | VCC | - | |

LFSC/M25, LFSC/M40 Logic Signal Connections: 1020 fcBGA^{1,2} (Cont.)

| Ball Number | LFSC/M25 | | | LFSC/M40 | | |
|-------------|---------------|------------|---------------|---------------|------------|---------------|
| | Ball Function | VCCIO Bank | Dual Function | Ball Function | VCCIO Bank | Dual Function |
| P17 | VCC | - | | VCC | - | |
| P19 | VCC | - | | VCC | - | |
| R13 | VCC | - | | VCC | - | |
| R15 | VCC | - | | VCC | - | |
| R18 | VCC | - | | VCC | - | |
| R20 | VCC | - | | VCC | - | |
| T13 | VCC | - | | VCC | - | |
| T14 | VCC | - | | VCC | - | |
| T16 | VCC | - | | VCC | - | |
| T17 | VCC | - | | VCC | - | |
| T19 | VCC | - | | VCC | - | |
| T20 | VCC | - | | VCC | - | |
| U13 | VCC | - | | VCC | - | |
| U14 | VCC | - | | VCC | - | |
| U16 | VCC | - | | VCC | - | |
| U17 | VCC | - | | VCC | - | |
| U19 | VCC | - | | VCC | - | |
| U20 | VCC | - | | VCC | - | |
| V13 | VCC | - | | VCC | - | |
| V15 | VCC | - | | VCC | - | |
| V18 | VCC | - | | VCC | - | |
| V20 | VCC | - | | VCC | - | |
| W14 | VCC | - | | VCC | - | |
| W16 | VCC | - | | VCC | - | |
| W17 | VCC | - | | VCC | - | |
| W19 | VCC | - | | VCC | - | |
| Y13 | VCC | - | | VCC | - | |
| Y15 | VCC | - | | VCC | - | |
| Y16 | VCC | - | | VCC | - | |
| Y17 | VCC | - | | VCC | - | |
| Y18 | VCC | - | | VCC | - | |
| Y20 | VCC | - | | VCC | - | |
| C17 | VCCIO1 | - | | VCCIO1 | - | |
| D16 | VCCIO1 | - | | VCCIO1 | - | |
| F15 | VCCIO1 | - | | VCCIO1 | - | |
| F24 | VCCIO1 | - | | VCCIO1 | - | |
| G18 | VCCIO1 | - | | VCCIO1 | - | |
| G9 | VCCIO1 | - | | VCCIO1 | - | |
| J11 | VCCIO1 | - | | VCCIO1 | - | |
| J19 | VCCIO1 | - | | VCCIO1 | - | |
| K14 | VCCIO1 | - | | VCCIO1 | - | |
| K22 | VCCIO1 | - | | VCCIO1 | - | |
| G4 | VCCIO2 | - | | VCCIO2 | - | |
| J7 | VCCIO2 | - | | VCCIO2 | - | |
| K3 | VCCIO2 | - | | VCCIO2 | - | |
| L10 | VCCIO2 | - | | VCCIO2 | - | |
| M6 | VCCIO2 | - | | VCCIO2 | - | |
| N4 | VCCIO2 | - | | VCCIO2 | - | |
| P9 | VCCIO2 | - | | VCCIO2 | - | |
| R7 | VCCIO2 | - | | VCCIO2 | - | |

LFSC/M25, LFSC/M40 Logic Signal Connections: 1020 fcBGA^{1,2} (Cont.)

| Ball Number | LFSC/M25 | | | LFSC/M40 | | |
|-------------|---------------|------------|---------------|---------------|------------|---------------|
| | Ball Function | VCCIO Bank | Dual Function | Ball Function | VCCIO Bank | Dual Function |
| AA7 | VCCIO3 | - | | VCCIO3 | - | |
| AB9 | VCCIO3 | - | | VCCIO3 | - | |
| AC4 | VCCIO3 | - | | VCCIO3 | - | |
| AD6 | VCCIO3 | - | | VCCIO3 | - | |
| AF3 | VCCIO3 | - | | VCCIO3 | - | |
| T3 | VCCIO3 | - | | VCCIO3 | - | |
| U4 | VCCIO3 | - | | VCCIO3 | - | |
| V6 | VCCIO3 | - | | VCCIO3 | - | |
| W10 | VCCIO3 | - | | VCCIO3 | - | |
| Y3 | VCCIO3 | - | | VCCIO3 | - | |
| AC11 | VCCIO4 | - | | VCCIO4 | - | |
| AD14 | VCCIO4 | - | | VCCIO4 | - | |
| AF15 | VCCIO4 | - | | VCCIO4 | - | |
| AF9 | VCCIO4 | - | | VCCIO4 | - | |
| AG12 | VCCIO4 | - | | VCCIO4 | - | |
| AJ13 | VCCIO4 | - | | VCCIO4 | - | |
| AJ7 | VCCIO4 | - | | VCCIO4 | - | |
| AK10 | VCCIO4 | - | | VCCIO4 | - | |
| AK16 | VCCIO4 | - | | VCCIO4 | - | |
| AK4 | VCCIO4 | - | | VCCIO4 | - | |
| AC19 | VCCIO5 | - | | VCCIO5 | - | |
| AD22 | VCCIO5 | - | | VCCIO5 | - | |
| AF21 | VCCIO5 | - | | VCCIO5 | - | |
| AG18 | VCCIO5 | - | | VCCIO5 | - | |
| AG24 | VCCIO5 | - | | VCCIO5 | - | |
| AJ17 | VCCIO5 | - | | VCCIO5 | - | |
| AJ23 | VCCIO5 | - | | VCCIO5 | - | |
| AJ30 | VCCIO5 | - | | VCCIO5 | - | |
| AK20 | VCCIO5 | - | | VCCIO5 | - | |
| AK26 | VCCIO5 | - | | VCCIO5 | - | |
| AA27 | VCCIO6 | - | | VCCIO6 | - | |
| AB23 | VCCIO6 | - | | VCCIO6 | - | |
| AC30 | VCCIO6 | - | | VCCIO6 | - | |
| AD26 | VCCIO6 | - | | VCCIO6 | - | |
| AF29 | VCCIO6 | - | | VCCIO6 | - | |
| T29 | VCCIO6 | - | | VCCIO6 | - | |
| U30 | VCCIO6 | - | | VCCIO6 | - | |
| V26 | VCCIO6 | - | | VCCIO6 | - | |
| W24 | VCCIO6 | - | | VCCIO6 | - | |
| Y29 | VCCIO6 | - | | VCCIO6 | - | |
| G30 | VCCIO7 | - | | VCCIO7 | - | |
| J27 | VCCIO7 | - | | VCCIO7 | - | |
| K29 | VCCIO7 | - | | VCCIO7 | - | |
| L24 | VCCIO7 | - | | VCCIO7 | - | |
| M26 | VCCIO7 | - | | VCCIO7 | - | |
| N30 | VCCIO7 | - | | VCCIO7 | - | |
| P23 | VCCIO7 | - | | VCCIO7 | - | |
| R27 | VCCIO7 | - | | VCCIO7 | - | |
| AA11 | VCCAUX | - | | VCCAUX | - | |
| AA12 | VCCAUX | - | | VCCAUX | - | |

LFSC/M25, LFSC/M40 Logic Signal Connections: 1020 fcBGA^{1,2} (Cont.)

| Ball Number | LFSC/M25 | | | LFSC/M40 | | |
|-------------|---------------|------------|---------------|---------------|------------|---------------|
| | Ball Function | VCCIO Bank | Dual Function | Ball Function | VCCIO Bank | Dual Function |
| AA21 | VCCAUX | - | | VCCAUX | - | |
| AA22 | VCCAUX | - | | VCCAUX | - | |
| AB11 | VCCAUX | - | | VCCAUX | - | |
| AB12 | VCCAUX | - | | VCCAUX | - | |
| AB15 | VCCAUX | - | | VCCAUX | - | |
| AB16 | VCCAUX | - | | VCCAUX | - | |
| AB17 | VCCAUX | - | | VCCAUX | - | |
| AB18 | VCCAUX | - | | VCCAUX | - | |
| AB21 | VCCAUX | - | | VCCAUX | - | |
| AB22 | VCCAUX | - | | VCCAUX | - | |
| L11 | VCCAUX | - | | VCCAUX | - | |
| L12 | VCCAUX | - | | VCCAUX | - | |
| L14 | VCCAUX | - | | VCCAUX | - | |
| L15 | VCCAUX | - | | VCCAUX | - | |
| L18 | VCCAUX | - | | VCCAUX | - | |
| L19 | VCCAUX | - | | VCCAUX | - | |
| L21 | VCCAUX | - | | VCCAUX | - | |
| L22 | VCCAUX | - | | VCCAUX | - | |
| M11 | VCCAUX | - | | VCCAUX | - | |
| M12 | VCCAUX | - | | VCCAUX | - | |
| M21 | VCCAUX | - | | VCCAUX | - | |
| M22 | VCCAUX | - | | VCCAUX | - | |
| P11 | VCCAUX | - | | VCCAUX | - | |
| P22 | VCCAUX | - | | VCCAUX | - | |
| R11 | VCCAUX | - | | VCCAUX | - | |
| R22 | VCCAUX | - | | VCCAUX | - | |
| V11 | VCCAUX | - | | VCCAUX | - | |
| V22 | VCCAUX | - | | VCCAUX | - | |
| W11 | VCCAUX | - | | VCCAUX | - | |
| W22 | VCCAUX | - | | VCCAUX | - | |
| N11 | VTT_2 | 2 | | VTT_2 | 2 | |
| R10 | VTT_2 | 2 | | VTT_2 | 2 | |
| T11 | VTT_3 | 3 | | VTT_3 | 3 | |
| U11 | VTT_3 | 3 | | VTT_3 | 3 | |
| Y11 | VTT_3 | 3 | | VTT_3 | 3 | |
| AB13 | VTT_4 | 4 | | VTT_4 | 4 | |
| AB14 | VTT_4 | 4 | | VTT_4 | 4 | |
| AC15 | VTT_4 | 4 | | VTT_4 | 4 | |
| AB19 | VTT_5 | 5 | | VTT_5 | 5 | |
| AB20 | VTT_5 | 5 | | VTT_5 | 5 | |
| AC18 | VTT_5 | 5 | | VTT_5 | 5 | |
| T22 | VTT_6 | 6 | | VTT_6 | 6 | |
| U22 | VTT_6 | 6 | | VTT_6 | 6 | |
| Y22 | VTT_6 | 6 | | VTT_6 | 6 | |
| N22 | VTT_7 | 7 | | VTT_7 | 7 | |
| R23 | VTT_7 | 7 | | VTT_7 | 7 | |
| M17 | VCC12 | - | | VCC12 | - | |
| M16 | VCC12 | - | | VCC12 | - | |
| T12 | VCC12 | - | | VCC12 | - | |
| T21 | VCC12 | - | | VCC12 | - | |

LFSC/M25, LFSC/M40 Logic Signal Connections: 1020 fcBGA^{1,2} (Cont.)

| Ball Number | LFSC/M25 | | | LFSC/M40 | | |
|-------------|---------------|------------|---------------|---------------|------------|---------------|
| | Ball Function | VCCIO Bank | Dual Function | Ball Function | VCCIO Bank | Dual Function |
| U12 | VCC12 | - | | VCC12 | - | |
| U21 | VCC12 | - | | VCC12 | - | |
| AA16 | VCC12 | - | | VCC12 | - | |
| AA17 | VCC12 | - | | VCC12 | - | |
| M14 | VCC12 | - | | VCC12 | - | |
| P12 | VCC12 | - | | VCC12 | - | |
| W12 | VCC12 | - | | VCC12 | - | |
| AA14 | VCC12 | - | | VCC12 | - | |
| AA19 | VCC12 | - | | VCC12 | - | |
| W21 | VCC12 | - | | VCC12 | - | |
| P21 | VCC12 | - | | VCC12 | - | |
| M19 | VCC12 | - | | VCC12 | - | |
| A2 | GND | - | | GND | - | |
| A10 | GND | - | | GND | - | |
| E28 | NC | - | | NC | - | |
| E5 | NC | - | | NC | - | |
| F10 | NC | - | | NC | - | |
| E10 | NC | - | | NC | - | |
| E23 | NC | - | | NC | - | |
| F23 | NC | - | | NC | - | |

1. Differential pair grouping within a PIC is A (True) and B (Complement) and C (True) and D (Complement).
2. The LatticeSC/M25 and LatticeSC/M40 in a 1020-pin package support a 16-bit MPI interface.

LFSC/M40, LFSC/M80 Logic Signal Connections: 1152 fcBGA^{1,2}

| Ball Number | LFSC/M40 | | | LFSC/M80 | | |
|-------------|---------------|------------|-----------------------------|---------------|------------|-----------------------------|
| | Ball Function | VCCIO Bank | Dual Function | Ball Function | VCCIO Bank | Dual Function |
| G27 | A_REFCLKP_L | - | | A_REFCLKP_L | - | |
| H27 | A_REFCLKN_L | - | | A_REFCLKN_L | - | |
| H25 | VCC12 | - | | VCC12 | - | |
| H26 | RESP_ULC | - | | RESP_ULC | - | |
| B33 | RESETN | 1 | | RESETN | 1 | |
| C34 | TSALLN | 1 | | TSALLN | 1 | |
| D34 | DONE | 1 | | DONE | 1 | |
| C33 | INITN | 1 | | INITN | 1 | |
| J27 | M0 | 1 | | M0 | 1 | |
| K27 | M1 | 1 | | M1 | 1 | |
| M26 | M2 | 1 | | M2 | 1 | |
| L26 | M3 | 1 | | M3 | 1 | |
| F30 | PL16A | 7 | ULC_PLLT_IN_A/ULC_PLLT_FB_B | PL16A | 7 | ULC_PLLT_IN_A/ULC_PLLT_FB_B |
| G30 | PL16B | 7 | ULC_PLLC_IN_A/ULC_PLLC_FB_B | PL16B | 7 | ULC_PLLC_IN_A/ULC_PLLC_FB_B |
| H28 | PL16C | 7 | | PL16C | 7 | |
| J28 | PL16D | 7 | | PL16D | 7 | |
| F31 | PL17A | 7 | ULC_DLLT_IN_C/ULC_DLLT_FB_D | PL17A | 7 | ULC_DLLT_IN_C/ULC_DLLT_FB_D |
| G31 | PL17B | 7 | ULC_DLLC_IN_C/ULC_DLLC_FB_D | PL17B | 7 | ULC_DLLC_IN_C/ULC_DLLC_FB_D |
| N25 | PL17C | 7 | ULC_PLLT_IN_B/ULC_PLLT_FB_A | PL17C | 7 | ULC_PLLT_IN_B/ULC_PLLT_FB_A |
| P25 | PL17D | 7 | ULC_PLLC_IN_B/ULC_PLLC_FB_A | PL17D | 7 | ULC_PLLC_IN_B/ULC_PLLC_FB_A |
| D33 | PL18A | 7 | ULC_DLLT_IN_D/ULC_DLLT_FB_C | PL18A | 7 | ULC_DLLT_IN_D/ULC_DLLT_FB_C |
| E33 | PL18B | 7 | ULC_DLLC_IN_D/ULC_DLLC_FB_C | PL18B | 7 | ULC_DLLC_IN_D/ULC_DLLC_FB_C |
| H29 | PL18C | 7 | | PL18C | 7 | |
| J29 | PL18D | 7 | VREF2_7 | PL18D | 7 | VREF2_7 |
| F32 | PL21A | 7 | | PL20A | 7 | |
| G32 | PL21B | 7 | | PL20B | 7 | |
| P26 | PL21C | 7 | | PL20C | 7 | |
| N26 | PL21D | 7 | | PL20D | 7 | |
| H30 | PL22A | 7 | | PL21A | 7 | |
| J30 | PL22B | 7 | | PL21B | 7 | |
| L28 | PL22C | 7 | | PL21C | 7 | |
| M28 | PL22D | 7 | | PL21D | 7 | |
| J31 | PL23A | 7 | | PL29A | 7 | |
| K31 | PL23B | 7 | | PL29B | 7 | |
| L27 | PL23C | 7 | VREF1_7 | PL29C | 7 | VREF1_7 |
| M27 | PL23D | 7 | DIFFR_7 | PL29D | 7 | DIFFR_7 |
| J32 | PL25A | 7 | | PL31A | 7 | |
| K32 | PL25B | 7 | | PL31B | 7 | |
| L29 | PL25C | 7 | | PL31C | 7 | |
| M29 | PL25D | 7 | | PL31D | 7 | |
| H33 | PL26A | 7 | | PL33A | 7 | |
| J33 | PL26B | 7 | | PL33B | 7 | |
| N27 | PL26C | 7 | | PL33C | 7 | |
| P27 | PL26D | 7 | | PL33D | 7 | |
| K33 | PL27A | 7 | | PL35A | 7 | |

LFSC/M40, LFSC/M80 Logic Signal Connections: 1152 fcBGA^{1,2} (Cont.)

| Ball Number | LFSC/M40 | | | LFSC/M80 | | |
|-------------|---------------|------------|---------------|---------------|------------|---------------|
| | Ball Function | VCCIO Bank | Dual Function | Ball Function | VCCIO Bank | Dual Function |
| L33 | PL27B | 7 | | PL35B | 7 | |
| M30 | PL27C | 7 | | PL35C | 7 | |
| N30 | PL27D | 7 | | PL35D | 7 | |
| M31 | PL29A | 7 | | PL37A | 7 | |
| N31 | PL29B | 7 | | PL37B | 7 | |
| P24 | PL29C | 7 | | PL37C | 7 | |
| R24 | PL29D | 7 | | PL37D | 7 | |
| M33 | PL30A | 7 | | PL42A | 7 | |
| N33 | PL30B | 7 | | PL42B | 7 | |
| U25 | PL30C | 7 | | PL42C | 7 | |
| T25 | PL30D | 7 | | PL42D | 7 | |
| L34 | PL31A | 7 | | PL43A | 7 | |
| M34 | PL31B | 7 | | PL43B | 7 | |
| P29 | PL31C | 7 | | PL43C | 7 | |
| R29 | PL31D | 7 | | PL43D | 7 | |
| N34 | PL34A | 7 | | PL46A | 7 | |
| P34 | PL34B | 7 | | PL46B | 7 | |
| R27 | PL34C | 7 | | PL46C | 7 | |
| T27 | PL34D | 7 | | PL46D | 7 | |
| R32 | PL35A | 7 | PCLKT7_1 | PL47A | 7 | PCLKT7_1 |
| R31 | PL35B | 7 | PCLKC7_1 | PL47B | 7 | PCLKC7_1 |
| U24 | PL35C | 7 | PCLKT7_3 | PL47C | 7 | PCLKT7_3 |
| T24 | PL35D | 7 | PCLKC7_3 | PL47D | 7 | PCLKC7_3 |
| P33 | PL36A | 7 | PCLKT7_0 | PL48A | 7 | PCLKT7_0 |
| R33 | PL36B | 7 | PCLKC7_0 | PL48B | 7 | PCLKC7_0 |
| T26 | PL36C | 7 | PCLKT7_2 | PL48C | 7 | PCLKT7_2 |
| U26 | PL36D | 7 | PCLKC7_2 | PL48D | 7 | PCLKC7_2 |
| T32 | PL38A | 6 | PCLKT6_0 | PL50A | 6 | PCLKT6_0 |
| T31 | PL38B | 6 | PCLKC6_0 | PL50B | 6 | PCLKC6_0 |
| U29 | PL38C | 6 | PCLKT6_1 | PL50C | 6 | PCLKT6_1 |
| V29 | PL38D | 6 | PCLKC6_1 | PL50D | 6 | PCLKC6_1 |
| T30 | PL39A | 6 | | PL51A | 6 | |
| U30 | PL39B | 6 | | PL51B | 6 | |
| U27 | PL39C | 6 | PCLKT6_3 | PL51C | 6 | PCLKT6_3 |
| V27 | PL39D | 6 | PCLKC6_3 | PL51D | 6 | PCLKC6_3 |
| R34 | PL40A | 6 | | PL52A | 6 | |
| T34 | PL40B | 6 | | PL52B | 6 | |
| U28 | PL40C | 6 | PCLKT6_2 | PL52C | 6 | PCLKT6_2 |
| V28 | PL40D | 6 | PCLKC6_2 | PL52D | 6 | PCLKC6_2 |
| V30 | PL43A | 6 | | PL55A | 6 | |
| W30 | PL43B | 6 | | PL55B | 6 | |
| W27 | PL43C | 6 | VREF1_6 | PL55C | 6 | VREF1_6 |
| Y27 | PL43D | 6 | | PL55D | 6 | |
| T33 | PL44A | 6 | | PL56A | 6 | |
| U33 | PL44B | 6 | | PL56B | 6 | |

LFSC/M40, LFSC/M80 Logic Signal Connections: 1152 fcBGA^{1,2} (Cont.)

| Ball Number | LFSC/M40 | | | LFSC/M80 | | |
|-------------|---------------|------------|---------------|---------------|------------|---------------|
| | Ball Function | VCCIO Bank | Dual Function | Ball Function | VCCIO Bank | Dual Function |
| V25 | PL44C | 6 | | PL56C | 6 | |
| W25 | PL44D | 6 | | PL56D | 6 | |
| U34 | PL45A | 6 | | PL57A | 6 | |
| V34 | PL45B | 6 | | PL57B | 6 | |
| V26 | PL45C | 6 | | PL57C | 6 | |
| W26 | PL45D | 6 | | PL57D | 6 | |
| V33 | PL47A | 6 | | PL60A | 6 | |
| W33 | PL47B | 6 | | PL60B | 6 | |
| V24 | PL47C | 6 | | PL60C | 6 | |
| W24 | PL47D | 6 | | PL60D | 6 | |
| W31 | PL48A | 6 | | PL63A | 6 | |
| Y31 | PL48B | 6 | | PL63B | 6 | |
| Y29 | PL48C | 6 | | PL63C | 6 | |
| AA29 | PL48D | 6 | | PL63D | 6 | |
| Y33 | PL49A | 6 | | PL65A | 6 | |
| AA33 | PL49B | 6 | | PL65B | 6 | |
| Y28 | PL49C | 6 | | PL65C | 6 | |
| AA28 | PL49D | 6 | | PL65D | 6 | |
| AB32 | PL51A | 6 | | PL76A | 6 | |
| AC32 | PL51B | 6 | | PL76B | 6 | |
| AA26 | PL51C | 6 | | PL76C | 6 | |
| AA27 | PL51D | 6 | DIFFR_6 | PL76D | 6 | DIFFR_6 |
| AB31 | PL52A | 6 | | PL77A | 6 | |
| AC31 | PL52B | 6 | | PL77B | 6 | |
| Y24 | PL52C | 6 | | PL77C | 6 | |
| AA24 | PL52D | 6 | | PL77D | 6 | |
| AE34 | PL53A | 6 | | PL78A | 6 | |
| AF34 | PL53B | 6 | | PL78B | 6 | |
| AB30 | PL53C | 6 | | PL78C | 6 | |
| AC30 | PL53D | 6 | | PL78D | 6 | |
| AD33 | PL56A | 6 | | PL80A | 6 | |
| AE33 | PL56B | 6 | | PL80B | 6 | |
| AD30 | PL56C | 6 | | PL80C | 6 | |
| AE30 | PL56D | 6 | | PL80D | 6 | |
| AE32 | PL57A | 6 | | PL81A | 6 | |
| AF32 | PL57B | 6 | | PL81B | 6 | |
| AA25 | PL57C | 6 | | PL81C | 6 | |
| AB25 | PL57D | 6 | | PL81D | 6 | |
| AJ34 | PL58A | 6 | | PL82A | 6 | |
| AK34 | PL58B | 6 | | PL82B | 6 | |
| AB27 | PL58C | 6 | | PL82C | 6 | |
| AC27 | PL58D | 6 | | PL82D | 6 | |
| AF33 | PL60A | 6 | | PL84A | 6 | |
| AG33 | PL60B | 6 | | PL84B | 6 | |
| AC29 | PL60C | 6 | | PL84C | 6 | |

LFSC/M40, LFSC/M80 Logic Signal Connections: 1152 fcBGA^{1,2} (Cont.)

| Ball Number | LFSC/M40 | | | LFSC/M80 | | |
|-------------|---------------|------------|-----------------------------|---------------|------------|-----------------------------|
| | Ball Function | VCCIO Bank | Dual Function | Ball Function | VCCIO Bank | Dual Function |
| AD29 | PL60D | 6 | | PL84D | 6 | |
| AE31 | PL61A | 6 | | PL85A | 6 | |
| AF31 | PL61B | 6 | | PL85B | 6 | |
| AF30 | PL61C | 6 | | PL85C | 6 | |
| AF29 | PL61D | 6 | | PL85D | 6 | |
| AH33 | PL62A | 6 | | PL86A | 6 | |
| AJ33 | PL62B | 6 | | PL86B | 6 | |
| AC28 | PL62C | 6 | | PL86C | 6 | |
| AD28 | PL62D | 6 | | PL86D | 6 | |
| AH32 | PL65A | 6 | | PL89A | 6 | |
| AJ32 | PL65B | 6 | | PL89B | 6 | |
| AD27 | PL65C | 6 | | PL89C | 6 | |
| AE27 | PL65D | 6 | VREF2_6 | PL89D | 6 | VREF2_6 |
| AG34 | PL66A | 6 | | PL90A | 6 | |
| AH34 | PL66B | 6 | | PL90B | 6 | |
| AC26 | PL66C | 6 | | PL90C | 6 | |
| AB26 | PL66D | 6 | | PL90D | 6 | |
| AK33 | PL67A | 6 | | PL91A | 6 | |
| AL33 | PL67B | 6 | | PL91B | 6 | |
| AG30 | PL67C | 6 | | PL91C | 6 | |
| AH30 | PL67D | 6 | | PL91D | 6 | |
| AL34 | PL69A | 6 | | PL93A | 6 | |
| AM34 | PL69B | 6 | | PL93B | 6 | |
| AJ30 | PL69C | 6 | LLC_DLLT_IN_E/LLC_DLLT_FB_F | PL93C | 6 | LLC_DLLT_IN_E/LLC_DLLT_FB_F |
| AK30 | PL69D | 6 | LLC_DLLC_IN_E/LLC_DLLC_FB_F | PL93D | 6 | LLC_DLLC_IN_E/LLC_DLLC_FB_F |
| AJ31 | PL70A | 6 | | PL94A | 6 | |
| AH31 | PL70B | 6 | | PL94B | 6 | |
| AD26 | PL70C | 6 | | PL94C | 6 | |
| AD25 | PL70D | 6 | | PL94D | 6 | |
| AL32 | PL71A | 6 | LLC_DLLT_IN_F/LLC_DLLT_FB_E | PL95A | 6 | LLC_DLLT_IN_F/LLC_DLLT_FB_E |
| AL31 | PL71B | 6 | LLC_DLLC_IN_F/LLC_DLLC_FB_E | PL95B | 6 | LLC_DLLC_IN_F/LLC_DLLC_FB_E |
| AG29 | PL71C | 6 | LLC_PLLT_IN_B/LLC_PLLT_FB_A | PL95C | 6 | LLC_PLLT_IN_B/LLC_PLLT_FB_A |
| AG28 | PL71D | 6 | LLC_PLCC_IN_B/LLC_PLCC_FB_A | PL95D | 6 | LLC_PLCC_IN_B/LLC_PLCC_FB_A |
| AF28 | XRES | - | | XRES | - | |
| AF27 | TEMP | 6 | | TEMP | 6 | |
| AM33 | PB3A | 5 | LLC_PLLT_IN_A/LLC_PLLT_FB_B | PB3A | 5 | LLC_PLLT_IN_A/LLC_PLLT_FB_B |
| AN33 | PB3B | 5 | LLC_PLCC_IN_A/LLC_PLCC_FB_B | PB3B | 5 | LLC_PLCC_IN_A/LLC_PLCC_FB_B |
| AH29 | PB3C | 5 | LLC_DLLT_IN_C/LLC_DLLT_FB_D | PB3C | 5 | LLC_DLLT_IN_C/LLC_DLLT_FB_D |
| AJ29 | PB3D | 5 | LLC_DLLC_IN_C/LLC_DLLC_FB_D | PB3D | 5 | LLC_DLLC_IN_C/LLC_DLLC_FB_D |
| AM32 | PB4A | 5 | LLC_DLLT_IN_D/LLC_DLLT_FB_C | PB4A | 5 | LLC_DLLT_IN_D/LLC_DLLT_FB_C |
| AM31 | PB4B | 5 | LLC_DLLC_IN_D/LLC_DLLC_FB_C | PB4B | 5 | LLC_DLLC_IN_D/LLC_DLLC_FB_C |
| AG27 | PB4C | 5 | | PB4C | 5 | |
| AG26 | PB4D | 5 | | PB4D | 5 | |
| AL29 | PB5A | 5 | | PB5A | 5 | |
| AL28 | PB5B | 5 | | PB5B | 5 | |

LFSC/M40, LFSC/M80 Logic Signal Connections: 1152 fcBGA^{1,2} (Cont.)

| Ball Number | LFSC/M40 | | | LFSC/M80 | | |
|-------------|---------------|------------|---------------|---------------|------------|---------------|
| | Ball Function | VCCIO Bank | Dual Function | Ball Function | VCCIO Bank | Dual Function |
| AH27 | PB5C | 5 | | PB5C | 5 | |
| AH26 | PB5D | 5 | VREF1_5 | PB5D | 5 | VREF1_5 |
| AN32 | PB7A | 5 | | PB7A | 5 | |
| AP32 | PB7B | 5 | | PB7B | 5 | |
| AF25 | PB7C | 5 | | PB7C | 5 | |
| AE25 | PB7D | 5 | | PB7D | 5 | |
| AN31 | PB8A | 5 | | PB9A | 5 | |
| AN30 | PB8B | 5 | | PB9B | 5 | |
| AK29 | PB8C | 5 | | PB9C | 5 | |
| AK28 | PB8D | 5 | | PB9D | 5 | |
| AP31 | PB9A | 5 | | PB11A | 5 | |
| AP30 | PB9B | 5 | | PB11B | 5 | |
| AD24 | PB9C | 5 | | PB11C | 5 | |
| AE24 | PB9D | 5 | | PB11D | 5 | |
| AM29 | PB11A | 5 | | PB13A | 5 | |
| AM28 | PB11B | 5 | | PB13B | 5 | |
| AJ27 | PB11C | 5 | | PB13C | 5 | |
| AJ26 | PB11D | 5 | | PB13D | 5 | |
| AP29 | PB13A | 5 | | PB15A | 5 | |
| AP28 | PB13B | 5 | | PB15B | 5 | |
| AK27 | PB13C | 5 | | PB15C | 5 | |
| AK26 | PB13D | 5 | | PB15D | 5 | |
| AN29 | PB15A | 5 | | PB17A | 5 | |
| AN28 | PB15B | 5 | | PB17B | 5 | |
| AG25 | PB15C | 5 | | PB17C | 5 | |
| AG24 | PB15D | 5 | | PB17D | 5 | |
| AL26 | PB17A | 5 | | PB19A | 5 | |
| AL25 | PB17B | 5 | | PB19B | 5 | |
| AG23 | PB17C | 5 | | PB19C | 5 | |
| AG22 | PB17D | 5 | | PB19D | 5 | |
| AN27 | PB19A | 5 | | PB21A | 5 | |
| AN26 | PB19B | 5 | | PB21B | 5 | |
| AF24 | PB19C | 5 | | PB21C | 5 | |
| AF23 | PB19D | 5 | | PB21D | 5 | |
| AP27 | PB22A | 5 | | PB24A | 5 | |
| AP26 | PB22B | 5 | | PB24B | 5 | |
| AK25 | PB22C | 5 | | PB24C | 5 | |
| AK24 | PB22D | 5 | | PB24D | 5 | |
| AN25 | PB25A | 5 | | PB27A | 5 | |
| AN24 | PB25B | 5 | | PB27B | 5 | |
| AE22 | PB25C | 5 | | PB27C | 5 | |
| AE21 | PB25D | 5 | | PB27D | 5 | |
| AM26 | PB26A | 5 | | PB29A | 5 | |
| AM25 | PB26B | 5 | | PB29B | 5 | |
| AF22 | PB26C | 5 | | PB29C | 5 | |

LFSC/M40, LFSC/M80 Logic Signal Connections: 1152 fcBGA^{1,2} (Cont.)

| Ball Number | LFSC/M40 | | | LFSC/M80 | | |
|-------------|---------------|------------|---------------|---------------|------------|---------------|
| | Ball Function | VCCIO Bank | Dual Function | Ball Function | VCCIO Bank | Dual Function |
| AF21 | PB26D | 5 | | PB29D | 5 | |
| AN23 | PB27A | 5 | | PB45A | 5 | |
| AN22 | PB27B | 5 | | PB45B | 5 | |
| AP23 | PB29A | 5 | | PB55A | 5 | |
| AP22 | PB29B | 5 | | PB55B | 5 | |
| AG21 | PB29C | 5 | | PB55C | 5 | |
| AG20 | PB29D | 5 | | PB55D | 5 | |
| AP25 | PB30A | 5 | PCLKT5_3 | PB48A | 5 | PCLKT5_3 |
| AP24 | PB30B | 5 | PCLKC5_3 | PB48B | 5 | PCLKC5_3 |
| AD21 | PB30C | 5 | PCLKT5_4 | PB48C | 5 | PCLKT5_4 |
| AD20 | PB30D | 5 | PCLKC5_4 | PB48D | 5 | PCLKC5_4 |
| AL23 | PB31A | 5 | PCLKT5_5 | PB49A | 5 | PCLKT5_5 |
| AL22 | PB31B | 5 | PCLKC5_5 | PB49B | 5 | PCLKC5_5 |
| AH24 | PB31C | 5 | | PB49C | 5 | |
| AH23 | PB31D | 5 | | PB49D | 5 | |
| AM23 | PB33A | 5 | PCLKT5_0 | PB51A | 5 | PCLKT5_0 |
| AM22 | PB33B | 5 | PCLKC5_0 | PB51B | 5 | PCLKC5_0 |
| AJ24 | PB33C | 5 | | PB51C | 5 | |
| AJ23 | PB33D | 5 | VREF2_5 | PB51D | 5 | VREF2_5 |
| AN21 | PB34A | 5 | PCLKT5_1 | PB52A | 5 | PCLKT5_1 |
| AN20 | PB34B | 5 | PCLKC5_1 | PB52B | 5 | PCLKC5_1 |
| AE19 | PB34C | 5 | PCLKT5_6 | PB52C | 5 | PCLKT5_6 |
| AD19 | PB34D | 5 | PCLKC5_6 | PB52D | 5 | PCLKC5_6 |
| AK21 | PB35A | 5 | PCLKT5_2 | PB53A | 5 | PCLKT5_2 |
| AK20 | PB35B | 5 | PCLKC5_2 | PB53B | 5 | PCLKC5_2 |
| AK23 | PB35C | 5 | PCLKT5_7 | PB53C | 5 | PCLKT5_7 |
| AK22 | PB35D | 5 | PCLKC5_7 | PB53D | 5 | PCLKC5_7 |
| AL20 | PB37A | 5 | | PB56A | 5 | |
| AL19 | PB37B | 5 | | PB56B | 5 | |
| AG19 | PB37C | 5 | | PB56C | 5 | |
| AF19 | PB37D | 5 | | PB56D | 5 | |
| AP21 | PB38A | 5 | | PB57A | 5 | |
| AP20 | PB38B | 5 | | PB57B | 5 | |
| AH21 | PB38C | 5 | | PB57C | 5 | |
| AH20 | PB38D | 5 | | PB57D | 5 | |
| AM20 | PB39A | 5 | | PB59A | 5 | |
| AM19 | PB39B | 5 | | PB59B | 5 | |
| AJ21 | PB39C | 5 | | PB59C | 5 | |
| AJ20 | PB39D | 5 | | PB59D | 5 | |
| AK19 | PB41A | 5 | | PB60A | 5 | |
| AK18 | PB41B | 5 | | PB60B | 5 | |
| AE18 | PB41C | 5 | | PB60C | 5 | |
| AD18 | PB41D | 5 | | PB60D | 5 | |
| AN19 | PB42A | 5 | | PB61A | 5 | |
| AN18 | PB42B | 5 | | PB61B | 5 | |

LFSC/M40, LFSC/M80 Logic Signal Connections: 1152 fcBGA^{1,2} (Cont.)

| Ball Number | LFSC/M40 | | | LFSC/M80 | | |
|-------------|---------------|------------|---------------|---------------|------------|---------------|
| | Ball Function | VCCIO Bank | Dual Function | Ball Function | VCCIO Bank | Dual Function |
| AG18 | PB42C | 5 | | PB61C | 5 | |
| AF18 | PB42D | 5 | | PB61D | 5 | |
| AP19 | PB43A | 5 | | PB63A | 5 | |
| AP18 | PB43B | 5 | | PB63B | 5 | |
| AJ18 | PB43C | 5 | | PB63C | 5 | |
| AH18 | PB43D | 5 | | PB63D | 5 | |
| AP17 | PB45A | 4 | | PB65A | 4 | |
| AP16 | PB45B | 4 | | PB65B | 4 | |
| AJ17 | PB45C | 4 | | PB65C | 4 | |
| AH17 | PB45D | 4 | | PB65D | 4 | |
| AN17 | PB46A | 4 | | PB66A | 4 | |
| AN16 | PB46B | 4 | | PB66B | 4 | |
| AE17 | PB46C | 4 | | PB66C | 4 | |
| AD17 | PB46D | 4 | | PB66D | 4 | |
| AK17 | PB47A | 4 | | PB67A | 4 | |
| AK16 | PB47B | 4 | | PB67B | 4 | |
| AG17 | PB47C | 4 | | PB67C | 4 | |
| AF17 | PB47D | 4 | | PB67D | 4 | |
| AM16 | PB49A | 4 | | PB69A | 4 | |
| AM15 | PB49B | 4 | | PB69B | 4 | |
| AJ15 | PB49C | 4 | | PB69C | 4 | |
| AJ14 | PB49D | 4 | | PB69D | 4 | |
| AL16 | PB50A | 4 | | PB70A | 4 | |
| AL15 | PB50B | 4 | | PB70B | 4 | |
| AG16 | PB50C | 4 | | PB70C | 4 | |
| AF16 | PB50D | 4 | | PB70D | 4 | |
| AP15 | PB51A | 4 | | PB71A | 4 | |
| AP14 | PB51B | 4 | | PB71B | 4 | |
| AH15 | PB51C | 4 | | PB71C | 4 | |
| AH14 | PB51D | 4 | | PB71D | 4 | |
| AN15 | PB53A | 4 | PCLKT4_2 | PB74A | 4 | PCLKT4_2 |
| AN14 | PB53B | 4 | PCLKC4_2 | PB74B | 4 | PCLKC4_2 |
| AE16 | PB53C | 4 | PCLKT4_7 | PB74C | 4 | PCLKT4_7 |
| AD16 | PB53D | 4 | PCLKC4_7 | PB74D | 4 | PCLKC4_7 |
| AK15 | PB54A | 4 | PCLKT4_1 | PB75A | 4 | PCLKT4_1 |
| AK14 | PB54B | 4 | PCLKC4_1 | PB75B | 4 | PCLKC4_1 |
| AG15 | PB54C | 4 | PCLKT4_6 | PB75C | 4 | PCLKT4_6 |
| AG14 | PB54D | 4 | PCLKC4_6 | PB75D | 4 | PCLKC4_6 |
| AM13 | PB55A | 4 | PCLKT4_0 | PB77A | 4 | PCLKT4_0 |
| AM12 | PB55B | 4 | PCLKC4_0 | PB77B | 4 | PCLKC4_0 |
| AJ12 | PB55C | 4 | VREF2_4 | PB77C | 4 | VREF2_4 |
| AJ11 | PB55D | 4 | | PB77D | 4 | |
| AL13 | PB57A | 4 | PCLKT4_5 | PB79A | 4 | PCLKT4_5 |
| AL12 | PB57B | 4 | PCLKC4_5 | PB79B | 4 | PCLKC4_5 |
| AH12 | PB57C | 4 | | PB79C | 4 | |

LFSC/M40, LFSC/M80 Logic Signal Connections: 1152 fcBGA^{1,2} (Cont.)

| Ball Number | LFSC/M40 | | | LFSC/M80 | | |
|-------------|---------------|------------|---------------|---------------|------------|---------------|
| | Ball Function | VCCIO Bank | Dual Function | Ball Function | VCCIO Bank | Dual Function |
| AH11 | PB57D | 4 | | PB79D | 4 | |
| AN13 | PB58A | 4 | PCLKT4_3 | PB80A | 4 | PCLKT4_3 |
| AN12 | PB58B | 4 | PCLKC4_3 | PB80B | 4 | PCLKC4_3 |
| AD14 | PB58C | 4 | PCLKT4_4 | PB80C | 4 | PCLKT4_4 |
| AD15 | PB58D | 4 | PCLKC4_4 | PB80D | 4 | PCLKC4_4 |
| AP13 | PB61A | 4 | | PB73A | 4 | |
| AP12 | PB61B | 4 | | PB73B | 4 | |
| AK13 | PB61C | 4 | | PB73C | 4 | |
| AK12 | PB61D | 4 | | PB73D | 4 | |
| AP11 | PB62A | 4 | | PB83A | 4 | |
| AP10 | PB62B | 4 | | PB83B | 4 | |
| AN11 | PB63A | 4 | | PB99A | 4 | |
| AN10 | PB63B | 4 | | PB99B | 4 | |
| AF14 | PB63C | 4 | | PB99C | 4 | |
| AF13 | PB63D | 4 | | PB99D | 4 | |
| AM10 | PB67A | 4 | | PB101A | 4 | |
| AM9 | PB67B | 4 | | PB101B | 4 | |
| AE14 | PB67C | 4 | | PB101C | 4 | |
| AE13 | PB67D | 4 | | PB101D | 4 | |
| AP9 | PB69A | 4 | | PB104A | 4 | |
| AP8 | PB69B | 4 | | PB104B | 4 | |
| AK11 | PB69C | 4 | | PB104C | 4 | |
| AK10 | PB69D | 4 | | PB104D | 4 | |
| AL10 | PB70A | 4 | | PB107A | 4 | |
| AL9 | PB70B | 4 | | PB107B | 4 | |
| AF12 | PB70C | 4 | | PB107C | 4 | |
| AF11 | PB70D | 4 | | PB107D | 4 | |
| AN9 | PB73A | 4 | | PB109A | 4 | |
| AN8 | PB73B | 4 | | PB109B | 4 | |
| AG11 | PB73C | 4 | | PB109C | 4 | |
| AG10 | PB73D | 4 | | PB109D | 4 | |
| AP7 | PB74A | 4 | | PB111A | 4 | |
| AP6 | PB74B | 4 | | PB111B | 4 | |
| AG13 | PB74C | 4 | | PB111C | 4 | |
| AG12 | PB74D | 4 | | PB111D | 4 | |
| AN7 | PB75A | 4 | | PB113A | 4 | |
| AN6 | PB75B | 4 | | PB113B | 4 | |
| AK9 | PB75C | 4 | | PB113C | 4 | |
| AK8 | PB75D | 4 | | PB113D | 4 | |
| AP5 | PB77A | 4 | | PB115A | 4 | |
| AP4 | PB77B | 4 | | PB115B | 4 | |
| AD11 | PB77C | 4 | | PB115C | 4 | |
| AE11 | PB77D | 4 | | PB115D | 4 | |
| AM7 | PB78A | 4 | | PB117A | 4 | |
| AM6 | PB78B | 4 | | PB117B | 4 | |

LFSC/M40, LFSC/M80 Logic Signal Connections: 1152 fcBGA^{1,2} (Cont.)

| Ball Number | LFSC/M40 | | | LFSC/M80 | | |
|-------------|---------------|------------|-----------------------------|---------------|------------|-----------------------------|
| | Ball Function | VCCIO Bank | Dual Function | Ball Function | VCCIO Bank | Dual Function |
| AJ9 | PB78C | 4 | | PB117C | 4 | |
| AJ8 | PB78D | 4 | | PB117D | 4 | |
| AP3 | PB79A | 4 | | PB119A | 4 | |
| AN3 | PB79B | 4 | | PB119B | 4 | |
| AF10 | PB79C | 4 | | PB119C | 4 | |
| AE10 | PB79D | 4 | | PB119D | 4 | |
| AL7 | PB81A | 4 | | PB121A | 4 | |
| AL6 | PB81B | 4 | | PB121B | 4 | |
| AK7 | PB81C | 4 | | PB121C | 4 | |
| AK6 | PB81D | 4 | | PB121D | 4 | |
| AN5 | PB82A | 4 | | PB123A | 4 | |
| AN4 | PB82B | 4 | | PB123B | 4 | |
| AH9 | PB82C | 4 | VREF1_4 | PB123C | 4 | VREF1_4 |
| AH8 | PB82D | 4 | | PB123D | 4 | |
| AM3 | PB83A | 4 | LRC_DLLT_IN_C/LRC_DLLT_FB_D | PB124A | 4 | LRC_DLLT_IN_C/LRC_DLLT_FB_D |
| AM4 | PB83B | 4 | LRC_DLLC_IN_C/LRC_DLLC_FB_D | PB124B | 4 | LRC_DLLC_IN_C/LRC_DLLC_FB_D |
| AG9 | PB83C | 4 | | PB124C | 4 | |
| AG8 | PB83D | 4 | | PB124D | 4 | |
| AN2 | PB85A | 4 | LRC_PLLT_IN_A/LRC_PLLT_FB_B | PB125A | 4 | LRC_PLLT_IN_A/LRC_PLLT_FB_B |
| AM2 | PB85B | 4 | LRC_PLLC_IN_A/LRC_PLLC_FB_B | PB125B | 4 | LRC_PLLC_IN_A/LRC_PLLC_FB_B |
| AJ6 | PB85C | 4 | LRC_DLLT_IN_D/LRC_DLLT_FB_C | PB125C | 4 | LRC_DLLT_IN_D/LRC_DLLT_FB_C |
| AH6 | PB85D | 4 | LRC_DLLC_IN_D/LRC_DLLC_FB_C | PB125D | 4 | LRC_DLLC_IN_D/LRC_DLLC_FB_C |
| AF7 | PROBE_VCC | - | | PROBE_VCC | - | |
| AF8 | PROBE_GND | - | | PROBE_GND | - | |
| AG7 | PR71D | 3 | LRC_PLLC_IN_B/LRC_PLLC_FB_A | PR95D | 3 | LRC_PLLC_IN_B/LRC_PLLC_FB_A |
| AG6 | PR71C | 3 | LRC_PLLT_IN_B/LRC_PLLT_FB_A | PR95C | 3 | LRC_PLLT_IN_B/LRC_PLLT_FB_A |
| AL4 | PR71B | 3 | LRC_DLLC_IN_F/LRC_DLLC_FB_E | PR95B | 3 | LRC_DLLC_IN_F/LRC_DLLC_FB_E |
| AL3 | PR71A | 3 | LRC_DLLT_IN_F/LRC_DLLT_FB_E | PR95A | 3 | LRC_DLLT_IN_F/LRC_DLLT_FB_E |
| AD10 | PR70D | 3 | | PR94D | 3 | |
| AD9 | PR70C | 3 | | PR94C | 3 | |
| AH4 | PR70B | 3 | | PR94B | 3 | |
| AJ4 | PR70A | 3 | | PR94A | 3 | |
| AK5 | PR69D | 3 | LRC_DLLC_IN_E/LRC_DLLC_FB_F | PR93D | 3 | LRC_DLLC_IN_E/LRC_DLLC_FB_F |
| AJ5 | PR69C | 3 | LRC_DLLT_IN_E/LRC_DLLT_FB_F | PR93C | 3 | LRC_DLLT_IN_E/LRC_DLLT_FB_F |
| AM1 | PR69B | 3 | | PR93B | 3 | |
| AL1 | PR69A | 3 | | PR93A | 3 | |
| AH5 | PR67D | 3 | | PR91D | 3 | |
| AG5 | PR67C | 3 | | PR91C | 3 | |
| AL2 | PR67B | 3 | | PR91B | 3 | |
| AK2 | PR67A | 3 | | PR91A | 3 | |
| AB9 | PR66D | 3 | | PR90D | 3 | |
| AC9 | PR66C | 3 | | PR90C | 3 | |
| AH1 | PR66B | 3 | | PR90B | 3 | |
| AG1 | PR66A | 3 | | PR90A | 3 | |
| AE8 | PR65D | 3 | VREF2_3 | PR89D | 3 | VREF2_3 |

LFSC/M40, LFSC/M80 Logic Signal Connections: 1152 fcBGA^{1,2} (Cont.)

| Ball Number | LFSC/M40 | | | LFSC/M80 | | |
|-------------|---------------|------------|---------------|---------------|------------|---------------|
| | Ball Function | VCCIO Bank | Dual Function | Ball Function | VCCIO Bank | Dual Function |
| AD8 | PR65C | 3 | | PR89C | 3 | |
| AJ3 | PR65B | 3 | | PR89B | 3 | |
| AH3 | PR65A | 3 | | PR89A | 3 | |
| AD7 | PR62D | 3 | | PR86D | 3 | |
| AC7 | PR62C | 3 | | PR86C | 3 | |
| AJ2 | PR62B | 3 | | PR86B | 3 | |
| AH2 | PR62A | 3 | | PR86A | 3 | |
| AF6 | PR61D | 3 | | PR85D | 3 | |
| AF5 | PR61C | 3 | | PR85C | 3 | |
| AF4 | PR61B | 3 | | PR85B | 3 | |
| AE4 | PR61A | 3 | | PR85A | 3 | |
| AD6 | PR60D | 3 | | PR84D | 3 | |
| AC6 | PR60C | 3 | | PR84C | 3 | |
| AG2 | PR60B | 3 | | PR84B | 3 | |
| AF2 | PR60A | 3 | | PR84A | 3 | |
| AC8 | PR58D | 3 | | PR82D | 3 | |
| AB8 | PR58C | 3 | | PR82C | 3 | |
| AK1 | PR58B | 3 | | PR82B | 3 | |
| AJ1 | PR58A | 3 | | PR82A | 3 | |
| AB10 | PR57D | 3 | | PR81D | 3 | |
| AA10 | PR57C | 3 | | PR81C | 3 | |
| AF3 | PR57B | 3 | | PR81B | 3 | |
| AE3 | PR57A | 3 | | PR81A | 3 | |
| AE5 | PR56D | 3 | | PR80D | 3 | |
| AD5 | PR56C | 3 | | PR80C | 3 | |
| AE2 | PR56B | 3 | | PR80B | 3 | |
| AD2 | PR56A | 3 | | PR80A | 3 | |
| AC5 | PR53D | 3 | | PR78D | 3 | |
| AB5 | PR53C | 3 | | PR78C | 3 | |
| AF1 | PR53B | 3 | | PR78B | 3 | |
| AE1 | PR53A | 3 | | PR78A | 3 | |
| AA11 | PR52D | 3 | | PR77D | 3 | |
| Y11 | PR52C | 3 | | PR77C | 3 | |
| AC4 | PR52B | 3 | | PR77B | 3 | |
| AB4 | PR52A | 3 | | PR77A | 3 | |
| AA8 | PR51D | 3 | DIFFR_3 | PR76D | 3 | DIFFR_3 |
| AA9 | PR51C | 3 | | PR76C | 3 | |
| AC3 | PR51B | 3 | | PR76B | 3 | |
| AB3 | PR51A | 3 | | PR76A | 3 | |
| AA7 | PR49D | 3 | | PR65D | 3 | |
| Y7 | PR49C | 3 | | PR65C | 3 | |
| AA2 | PR49B | 3 | | PR65B | 3 | |
| Y2 | PR49A | 3 | | PR65A | 3 | |
| AA6 | PR48D | 3 | | PR63D | 3 | |
| Y6 | PR48C | 3 | | PR63C | 3 | |

LFSC/M40, LFSC/M80 Logic Signal Connections: 1152 fcBGA^{1,2} (Cont.)

| Ball Number | LFSC/M40 | | | LFSC/M80 | | |
|-------------|---------------|------------|---------------|---------------|------------|---------------|
| | Ball Function | VCCIO Bank | Dual Function | Ball Function | VCCIO Bank | Dual Function |
| Y4 | PR48B | 3 | | PR63B | 3 | |
| W4 | PR48A | 3 | | PR63A | 3 | |
| W11 | PR47D | 3 | | PR60D | 3 | |
| V11 | PR47C | 3 | | PR60C | 3 | |
| W2 | PR47B | 3 | | PR60B | 3 | |
| V2 | PR47A | 3 | | PR60A | 3 | |
| W9 | PR45D | 3 | | PR57D | 3 | |
| V9 | PR45C | 3 | | PR57C | 3 | |
| V1 | PR45B | 3 | | PR57B | 3 | |
| U1 | PR45A | 3 | | PR57A | 3 | |
| W10 | PR44D | 3 | | PR56D | 3 | |
| V10 | PR44C | 3 | | PR56C | 3 | |
| U2 | PR44B | 3 | | PR56B | 3 | |
| T2 | PR44A | 3 | | PR56A | 3 | |
| Y8 | PR43D | 3 | | PR55D | 3 | |
| W8 | PR43C | 3 | VREF1_3 | PR55C | 3 | VREF1_3 |
| W5 | PR43B | 3 | | PR55B | 3 | |
| V5 | PR43A | 3 | | PR55A | 3 | |
| V7 | PR40D | 3 | PCLKC3_2 | PR52D | 3 | PCLKC3_2 |
| U7 | PR40C | 3 | PCLKT3_2 | PR52C | 3 | PCLKT3_2 |
| T1 | PR40B | 3 | | PR52B | 3 | |
| R1 | PR40A | 3 | | PR52A | 3 | |
| V8 | PR39D | 3 | PCLKC3_3 | PR51D | 3 | PCLKC3_3 |
| U8 | PR39C | 3 | PCLKT3_3 | PR51C | 3 | PCLKT3_3 |
| U5 | PR39B | 3 | | PR51B | 3 | |
| T5 | PR39A | 3 | | PR51A | 3 | |
| V6 | PR38D | 3 | PCLKC3_1 | PR50D | 3 | PCLKC3_1 |
| U6 | PR38C | 3 | PCLKT3_1 | PR50C | 3 | PCLKT3_1 |
| T4 | PR38B | 3 | PCLKC3_0 | PR50B | 3 | PCLKC3_0 |
| T3 | PR38A | 3 | PCLKT3_0 | PR50A | 3 | PCLKT3_0 |
| U9 | PR36D | 2 | PCLKC2_2 | PR48D | 2 | PCLKC2_2 |
| T9 | PR36C | 2 | PCLKT2_2 | PR48C | 2 | PCLKT2_2 |
| R2 | PR36B | 2 | PCLKC2_0 | PR48B | 2 | PCLKC2_0 |
| P2 | PR36A | 2 | PCLKT2_0 | PR48A | 2 | PCLKT2_0 |
| T11 | PR35D | 2 | PCLKC2_3 | PR47D | 2 | PCLKC2_3 |
| U11 | PR35C | 2 | PCLKT2_3 | PR47C | 2 | PCLKT2_3 |
| R4 | PR35B | 2 | PCLKC2_1 | PR47B | 2 | PCLKC2_1 |
| R3 | PR35A | 2 | PCLKT2_1 | PR47A | 2 | PCLKT2_1 |
| T8 | PR34D | 2 | | PR46D | 2 | |
| R8 | PR34C | 2 | | PR46C | 2 | |
| P1 | PR34B | 2 | | PR46B | 2 | |
| N1 | PR34A | 2 | | PR46A | 2 | |
| R6 | PR31D | 2 | | PR43D | 2 | |
| P6 | PR31C | 2 | | PR43C | 2 | |
| M1 | PR31B | 2 | | PR43B | 2 | |

LFSC/M40, LFSC/M80 Logic Signal Connections: 1152 fcBGA^{1,2} (Cont.)

| Ball Number | LFSC/M40 | | | LFSC/M80 | | |
|-------------|---------------|------------|-----------------------------|---------------|------------|-----------------------------|
| | Ball Function | VCCIO Bank | Dual Function | Ball Function | VCCIO Bank | Dual Function |
| L1 | PR31A | 2 | | PR43A | 2 | |
| T10 | PR30D | 2 | | PR42D | 2 | |
| U10 | PR30C | 2 | | PR42C | 2 | |
| N2 | PR30B | 2 | | PR42B | 2 | |
| M2 | PR30A | 2 | | PR42A | 2 | |
| R11 | PR29D | 2 | | PR37D | 2 | |
| P11 | PR29C | 2 | | PR37C | 2 | |
| N4 | PR29B | 2 | | PR37B | 2 | |
| M4 | PR29A | 2 | | PR37A | 2 | |
| N5 | PR27D | 2 | | PR35D | 2 | |
| M5 | PR27C | 2 | | PR35C | 2 | |
| L2 | PR27B | 2 | | PR35B | 2 | |
| K2 | PR27A | 2 | | PR35A | 2 | |
| P8 | PR26D | 2 | | PR33D | 2 | |
| N8 | PR26C | 2 | | PR33C | 2 | |
| J2 | PR26B | 2 | | PR33B | 2 | |
| H2 | PR26A | 2 | | PR33A | 2 | |
| M6 | PR25D | 2 | | PR31D | 2 | |
| L6 | PR25C | 2 | | PR31C | 2 | |
| K3 | PR25B | 2 | | PR31B | 2 | |
| J3 | PR25A | 2 | | PR31A | 2 | |
| M8 | PR23D | 2 | DIFFR_2 | PR29D | 2 | DIFFR_2 |
| L8 | PR23C | 2 | VREF1_2 | PR29C | 2 | VREF1_2 |
| K4 | PR23B | 2 | | PR29B | 2 | |
| J4 | PR23A | 2 | | PR29A | 2 | |
| M7 | PR22D | 2 | | PR21D | 2 | |
| L7 | PR22C | 2 | | PR21C | 2 | |
| J5 | PR22B | 2 | | PR21B | 2 | |
| H5 | PR22A | 2 | | PR21A | 2 | |
| N9 | PR21D | 2 | | PR20D | 2 | |
| P9 | PR21C | 2 | | PR20C | 2 | |
| G3 | PR21B | 2 | | PR20B | 2 | |
| F3 | PR21A | 2 | | PR20A | 2 | |
| J6 | PR18D | 2 | VREF2_2 | PR18D | 2 | VREF2_2 |
| H6 | PR18C | 2 | | PR18C | 2 | |
| E2 | PR18B | 2 | URC_DLLC_IN_D/URC_DLLC_FB_C | PR18B | 2 | URC_DLLC_IN_D/URC_DLLC_FB_C |
| D2 | PR18A | 2 | URC_DLLT_IN_D/URC_DLLT_FB_C | PR18A | 2 | URC_DLLT_IN_D/URC_DLLT_FB_C |
| P10 | PR17D | 2 | URC_PLLC_IN_B/URC_PLLC_FB_A | PR17D | 2 | URC_PLLC_IN_B/URC_PLLC_FB_A |
| N10 | PR17C | 2 | URC_PLLT_IN_B/URC_PLLT_FB_A | PR17C | 2 | URC_PLLT_IN_B/URC_PLLT_FB_A |
| G4 | PR17B | 2 | URC_DLLC_IN_C/URC_DLLC_FB_D | PR17B | 2 | URC_DLLC_IN_C/URC_DLLC_FB_D |
| F4 | PR17A | 2 | URC_DLLT_IN_C/URC_DLLT_FB_D | PR17A | 2 | URC_DLLT_IN_C/URC_DLLT_FB_D |
| J7 | PR16D | 2 | | PR16D | 2 | |
| H7 | PR16C | 2 | | PR16C | 2 | |
| G5 | PR16B | 2 | URC_PLLC_IN_A/URC_PLLC_FB_B | PR16B | 2 | URC_PLLC_IN_A/URC_PLLC_FB_B |
| F5 | PR16A | 2 | URC_PLLT_IN_A/URC_PLLT_FB_B | PR16A | 2 | URC_PLLT_IN_A/URC_PLLT_FB_B |

LFSC/M40, LFSC/M80 Logic Signal Connections: 1152 fcBGA^{1,2} (Cont.)

| Ball Number | LFSC/M40 | | | LFSC/M80 | | |
|-------------|---------------|------------|--------------------|---------------|------------|--------------------|
| | Ball Function | VCCIO Bank | Dual Function | Ball Function | VCCIO Bank | Dual Function |
| C2 | VCCJ | - | | VCCJ | - | |
| M9 | TDO | - | TDO | TDO | - | TDO |
| L9 | TMS | - | | TMS | - | |
| D1 | TCK | - | | TCK | - | |
| C1 | TDI | - | | TDI | - | |
| J8 | PROGRAMN | 1 | | PROGRAMN | 1 | |
| K8 | MPIIRQN | 1 | CFGIRQN/MPI_IRQ_N | MPIIRQN | 1 | CFGIRQN/MPI_IRQ_N |
| B2 | CCLK | 1 | | CCLK | 1 | |
| H9 | RESP_URC | - | | RESP_URC | - | |
| H10 | VCC12 | - | | VCC12 | - | |
| H8 | A_REFCLKN_R | - | | A_REFCLKN_R | - | |
| G8 | A_REFCLKP_R | - | | A_REFCLKP_R | - | |
| C3 | VCC12 | - | | VCC12 | - | |
| D3 | A_VDDIB0_R | - | | A_VDDIB0_R | - | |
| A3 | A_HDINP0_R | - | PCS 3E0 CH 0 IN P | A_HDINP0_R | - | PCS 3E0 CH 0 IN P |
| B3 | A_HDINN0_R | - | PCS 3E0 CH 0 IN N | A_HDINN0_R | - | PCS 3E0 CH 0 IN N |
| E5 | VCC12 | - | | VCC12 | - | |
| A4 | A_HDOUTP0_R | - | PCS 3E0 CH 0 OUT P | A_HDOUTP0_R | - | PCS 3E0 CH 0 OUT P |
| F6 | A_VDDOB0_R | - | | A_VDDOB0_R | - | |
| B4 | A_HDOUTN0_R | - | PCS 3E0 CH 0 OUT N | A_HDOUTN0_R | - | PCS 3E0 CH 0 OUT N |
| F7 | A_VDDOB1_R | - | | A_VDDOB1_R | - | |
| B5 | A_HDOUTN1_R | - | PCS 3E0 CH 1 OUT N | A_HDOUTN1_R | - | PCS 3E0 CH 1 OUT N |
| E6 | VCC12 | - | | VCC12 | - | |
| A5 | A_HDOUTP1_R | - | PCS 3E0 CH 1 OUT P | A_HDOUTP1_R | - | PCS 3E0 CH 1 OUT P |
| B6 | A_HDINN1_R | - | PCS 3E0 CH 1 IN N | A_HDINN1_R | - | PCS 3E0 CH 1 IN N |
| A6 | A_HDINP1_R | - | PCS 3E0 CH 1 IN P | A_HDINP1_R | - | PCS 3E0 CH 1 IN P |
| C6 | VCC12 | - | | VCC12 | - | |
| D4 | A_VDDIB1_R | - | | A_VDDIB1_R | - | |
| C7 | VCC12 | - | | VCC12 | - | |
| D5 | A_VDDIB2_R | - | | A_VDDIB2_R | - | |
| A7 | A_HDINP2_R | - | PCS 3E0 CH 2 IN P | A_HDINP2_R | - | PCS 3E0 CH 2 IN P |
| B7 | A_HDINN2_R | - | PCS 3E0 CH 2 IN N | A_HDINN2_R | - | PCS 3E0 CH 2 IN N |
| E7 | VCC12 | - | | VCC12 | - | |
| A8 | A_HDOUTP2_R | - | PCS 3E0 CH 2 OUT P | A_HDOUTP2_R | - | PCS 3E0 CH 2 OUT P |
| F8 | A_VDDOB2_R | - | | A_VDDOB2_R | - | |
| B8 | A_HDOUTN2_R | - | PCS 3E0 CH 2 OUT N | A_HDOUTN2_R | - | PCS 3E0 CH 2 OUT N |
| F9 | A_VDDOB3_R | - | | A_VDDOB3_R | - | |
| B9 | A_HDOUTN3_R | - | PCS 3E0 CH 3 OUT N | A_HDOUTN3_R | - | PCS 3E0 CH 3 OUT N |
| E8 | VCC12 | - | | VCC12 | - | |
| A9 | A_HDOUTP3_R | - | PCS 3E0 CH 3 OUT P | A_HDOUTP3_R | - | PCS 3E0 CH 3 OUT P |
| B10 | A_HDINN3_R | - | PCS 3E0 CH 3 IN N | A_HDINN3_R | - | PCS 3E0 CH 3 IN N |
| A10 | A_HDINP3_R | - | PCS 3E0 CH 3 IN P | A_HDINP3_R | - | PCS 3E0 CH 3 IN P |
| C10 | VCC12 | - | | VCC12 | - | |
| D6 | A_VDDIB3_R | - | | A_VDDIB3_R | - | |
| G10 | VCC12 | - | | VCC12 | - | |

LFSC/M40, LFSC/M80 Logic Signal Connections: 1152 fcBGA^{1,2} (Cont.)

| Ball Number | LFSC/M40 | | | LFSC/M80 | | |
|-------------|---------------|------------|--------------------|---------------|------------|--------------------|
| | Ball Function | VCCIO Bank | Dual Function | Ball Function | VCCIO Bank | Dual Function |
| D7 | B_VDDIB0_R | - | | B_VDDIB0_R | - | |
| E10 | B_HDINP0_R | - | PCS 3E1 CH 0 IN P | B_HDINP0_R | - | PCS 3E1 CH 0 IN P |
| F10 | B_HDINN0_R | - | PCS 3E1 CH 0 IN N | B_HDINN0_R | - | PCS 3E1 CH 0 IN N |
| K10 | VCC12 | - | | VCC12 | - | |
| A11 | B_HDOUTP0_R | - | PCS 3E1 CH 0 OUT P | B_HDOUTP0_R | - | PCS 3E1 CH 0 OUT P |
| D10 | B_VDDOB0_R | - | | B_VDDOB0_R | - | |
| B11 | B_HDOUTN0_R | - | PCS 3E1 CH 0 OUT N | B_HDOUTN0_R | - | PCS 3E1 CH 0 OUT N |
| D11 | B_VDDOB1_R | - | | B_VDDOB1_R | - | |
| B12 | B_HDOUTN1_R | - | PCS 3E1 CH 1 OUT N | B_HDOUTN1_R | - | PCS 3E1 CH 1 OUT N |
| L10 | VCC12 | - | | VCC12 | - | |
| A12 | B_HDOUTP1_R | - | PCS 3E1 CH 1 OUT P | B_HDOUTP1_R | - | PCS 3E1 CH 1 OUT P |
| F11 | B_HDINN1_R | - | PCS 3E1 CH 1 IN N | B_HDINN1_R | - | PCS 3E1 CH 1 IN N |
| E11 | B_HDINP1_R | - | PCS 3E1 CH 1 IN P | B_HDINP1_R | - | PCS 3E1 CH 1 IN P |
| G11 | VCC12 | - | | VCC12 | - | |
| D8 | B_VDDIB1_R | - | | B_VDDIB1_R | - | |
| G12 | VCC12 | - | | VCC12 | - | |
| D9 | B_VDDIB2_R | - | | B_VDDIB2_R | - | |
| E12 | B_HDINP2_R | - | PCS 3E1 CH 2 IN P | B_HDINP2_R | - | PCS 3E1 CH 2 IN P |
| F12 | B_HDINN2_R | - | PCS 3E1 CH 2 IN N | B_HDINN2_R | - | PCS 3E1 CH 2 IN N |
| K11 | VCC12 | - | | VCC12 | - | |
| A13 | B_HDOUTP2_R | - | PCS 3E1 CH 2 OUT P | B_HDOUTP2_R | - | PCS 3E1 CH 2 OUT P |
| D12 | B_VDDOB2_R | - | | B_VDDOB2_R | - | |
| B13 | B_HDOUTN2_R | - | PCS 3E1 CH 2 OUT N | B_HDOUTN2_R | - | PCS 3E1 CH 2 OUT N |
| D13 | B_VDDOB3_R | - | | B_VDDOB3_R | - | |
| B14 | B_HDOUTN3_R | - | PCS 3E1 CH 3 OUT N | B_HDOUTN3_R | - | PCS 3E1 CH 3 OUT N |
| L11 | VCC12 | - | | VCC12 | - | |
| A14 | B_HDOUTP3_R | - | PCS 3E1 CH 3 OUT P | B_HDOUTP3_R | - | PCS 3E1 CH 3 OUT P |
| F13 | B_HDINN3_R | - | PCS 3E1 CH 3 IN N | B_HDINN3_R | - | PCS 3E1 CH 3 IN N |
| E13 | B_HDINP3_R | - | PCS 3E1 CH 3 IN P | B_HDINP3_R | - | PCS 3E1 CH 3 IN P |
| G13 | VCC12 | - | | VCC12 | - | |
| E9 | B_VDDIB3_R | - | | B_VDDIB3_R | - | |
| L13 | VCC12 | - | | VCC12 | - | |
| J11 | B_REFCLKN_R | - | | B_REFCLKN_R | - | |
| H11 | B_REFCLKP_R | - | | B_REFCLKP_R | - | |
| M15 | PT61D | 1 | HDC/SI | PT77D | 1 | HDC/SI |
| M16 | PT61C | 1 | LDCN/SCS | PT77C | 1 | LDCN/SCS |
| F14 | PT59B | 1 | D8/MPI_DATA8 | PT77B | 1 | D8/MPI_DATA8 |
| G14 | PT59A | 1 | CS1/MPI_CS1 | PT77A | 1 | CS1/MPI_CS1 |
| L15 | PT58D | 1 | D9/MPI_DATA9 | PT75D | 1 | D9/MPI_DATA9 |
| L14 | PT58C | 1 | D10/MPI_DATA10 | PT75C | 1 | D10/MPI_DATA10 |
| D14 | PT57B | 1 | CS0N/MPI_CS0N | PT75B | 1 | CS0N/MPI_CS0N |
| E14 | PT57A | 1 | RDN/MPI_STRB_N | PT75A | 1 | RDN/MPI_STRB_N |
| L16 | PT55D | 1 | WRN/MPI_WR_N | PT74D | 1 | WRN/MPI_WR_N |
| K16 | PT55C | 1 | D7/MPI_DATA7 | PT74C | 1 | D7/MPI_DATA7 |
| G15 | PT55B | 1 | D6/MPI_DATA6 | PT74B | 1 | D6/MPI_DATA6 |

LFSC/M40, LFSC/M80 Logic Signal Connections: 1152 fcBGA^{1,2} (Cont.)

| Ball Number | LFSC/M40 | | | LFSC/M80 | | |
|-------------|---------------|------------|-------------------------|---------------|------------|-------------------------|
| | Ball Function | VCCIO Bank | Dual Function | Ball Function | VCCIO Bank | Dual Function |
| F15 | PT55A | 1 | D5/MPI_DATA5 | PT74A | 1 | D5/MPI_DATA5 |
| K14 | PT54D | 1 | D4/MPI_DATA4 | PT73D | 1 | D4/MPI_DATA4 |
| K13 | PT54C | 1 | D3/MPI_DATA3 | PT73C | 1 | D3/MPI_DATA3 |
| B15 | PT53B | 1 | D2/MPI_DATA2 | PT73B | 1 | D2/MPI_DATA2 |
| A15 | PT53A | 1 | D1/MPI_DATA1 | PT73A | 1 | D1/MPI_DATA1 |
| J14 | PT51D | 1 | D16/PCLKC1_3/MPI_DATA16 | PT71D | 1 | D16/PCLKC1_3/MPI_DATA16 |
| H14 | PT51C | 1 | D17/PCLKT1_3/MPI_DATA17 | PT71C | 1 | D17/PCLKT1_3/MPI_DATA17 |
| A16 | PT51B | 1 | D0/MPI_DATA0 | PT71B | 1 | D0/MPI_DATA0 |
| B16 | PT51A | 1 | QOUT/CEON | PT71A | 1 | QOUT/CEON |
| J13 | PT50D | 1 | VREF2_1 | PT70D | 1 | VREF2_1 |
| H13 | PT50C | 1 | D18/MPI_DATA18 | PT70C | 1 | D18/MPI_DATA18 |
| D15 | PT50B | 1 | DOUT | PT70B | 1 | DOUT |
| E15 | PT50A | 1 | MCA_DONE_IN | PT70A | 1 | MCA_DONE_IN |
| J16 | PT49D | 1 | D19/PCLKC1_2/MPI_DATA19 | PT69D | 1 | D19/PCLKC1_2/MPI_DATA19 |
| J17 | PT49C | 1 | D20/PCLKT1_2/MPI_DATA20 | PT69C | 1 | D20/PCLKT1_2/MPI_DATA20 |
| D16 | PT49B | 1 | MCA_CLK_P1_OUT | PT69B | 1 | MCA_CLK_P1_OUT |
| E16 | PT49A | 1 | MCA_CLK_P1_IN | PT69A | 1 | MCA_CLK_P1_IN |
| H15 | PT47D | 1 | D21/PCLKC1_1/MPI_DATA21 | PT67D | 1 | D21/PCLKC1_1/MPI_DATA21 |
| H16 | PT47C | 1 | D22/PCLKT1_1/MPI_DATA22 | PT67C | 1 | D22/PCLKT1_1/MPI_DATA22 |
| C15 | PT47B | 1 | MCA_CLK_P2_OUT | PT67B | 1 | MCA_CLK_P2_OUT |
| C16 | PT47A | 1 | MCA_CLK_P2_IN | PT67A | 1 | MCA_CLK_P2_IN |
| L17 | PT46D | 1 | MCA_DONE_OUT | PT66D | 1 | MCA_DONE_OUT |
| K17 | PT46C | 1 | BUSYN/RCLK/SCK | PT66C | 1 | BUSYN/RCLK/SCK |
| E17 | PT46B | 1 | DP0/MPI_PAR0 | PT66B | 1 | DP0/MPI_PAR0 |
| F17 | PT46A | 1 | MPI_TA | PT66A | 1 | MPI_TA |
| G17 | PT45D | 1 | D23/MPI_DATA23 | PT65D | 1 | D23/MPI_DATA23 |
| H17 | PT45C | 1 | DP2/MPI_PAR2 | PT65C | 1 | DP2/MPI_PAR2 |
| A17 | PT45B | 1 | PCLKC1_0 | PT65B | 1 | PCLKC1_0 |
| B17 | PT45A | 1 | PCLKT1_0/MPI_CLK | PT65A | 1 | PCLKT1_0/MPI_CLK |
| G18 | PT43D | 1 | DP3/PCLKC1_4/MPI_PAR3 | PT63D | 1 | DP3/PCLKC1_4/MPI_PAR3 |
| H18 | PT43C | 1 | D24/PCLKT1_4/MPI_DATA24 | PT63C | 1 | D24/PCLKT1_4/MPI_DATA24 |
| E18 | PT43B | 1 | MPI_RETRY | PT63B | 1 | MPI_RETRY |
| F18 | PT43A | 1 | A0/MPI_ADDR14 | PT63A | 1 | A0/MPI_ADDR14 |
| J18 | PT42D | 1 | A1/MPI_ADDR15 | PT61D | 1 | A1/MPI_ADDR15 |
| J19 | PT42C | 1 | A2/MPI_ADDR16 | PT61C | 1 | A2/MPI_ADDR16 |
| C20 | PT42B | 1 | A3/MPI_ADDR17 | PT61B | 1 | A3/MPI_ADDR17 |
| C19 | PT42A | 1 | A4/MPI_ADDR18 | PT61A | 1 | A4/MPI_ADDR18 |
| K18 | PT41D | 1 | D25/PCLKC1_5/MPI_DATA25 | PT60D | 1 | D25/PCLKC1_5/MPI_DATA25 |
| L18 | PT41C | 1 | D26/PCLKT1_5/MPI_DATA26 | PT60C | 1 | D26/PCLKT1_5/MPI_DATA26 |
| D19 | PT41B | 1 | A5/MPI_ADDR19 | PT60B | 1 | A5/MPI_ADDR19 |
| E19 | PT41A | 1 | A6/MPI_ADDR20 | PT60A | 1 | A6/MPI_ADDR20 |
| H19 | PT39D | 1 | D27/MPI_DATA27 | PT59D | 1 | D27/MPI_DATA27 |
| H20 | PT39C | 1 | VREF1_1 | PT59C | 1 | VREF1_1 |
| A18 | PT39B | 1 | A7/MPI_ADDR21 | PT59B | 1 | A7/MPI_ADDR21 |
| B18 | PT39A | 1 | A8/MPI_ADDR22 | PT59A | 1 | A8/MPI_ADDR22 |

LFSC/M40, LFSC/M80 Logic Signal Connections: 1152 fcBGA^{1,2} (Cont.)

| Ball Number | LFSC/M40 | | | LFSC/M80 | | |
|-------------|---------------|------------|-------------------------|---------------|------------|-------------------------|
| | Ball Function | VCCIO Bank | Dual Function | Ball Function | VCCIO Bank | Dual Function |
| H21 | PT38D | 1 | D28/PCLKC1_6/MPI_DATA28 | PT57D | 1 | D28/PCLKC1_6/MPI_DATA28 |
| J21 | PT38C | 1 | D29/PCLKT1_6/MPI_DATA29 | PT57C | 1 | D29/PCLKT1_6/MPI_DATA29 |
| A19 | PT38B | 1 | A9/MPI_ADDR23 | PT57B | 1 | A9/MPI_ADDR23 |
| B19 | PT38A | 1 | A10/MPI_ADDR24 | PT57A | 1 | A10/MPI_ADDR24 |
| H22 | PT37D | 1 | D30/PCLKC1_7/MPI_DATA30 | PT56D | 1 | D30/PCLKC1_7/MPI_DATA30 |
| J22 | PT37C | 1 | D31/PCLKT1_7/MPI_DATA31 | PT56C | 1 | D31/PCLKT1_7/MPI_DATA31 |
| F20 | PT37B | 1 | A11/MPI_ADDR25 | PT56B | 1 | A11/MPI_ADDR25 |
| G20 | PT37A | 1 | A12/MPI_ADDR26 | PT56A | 1 | A12/MPI_ADDR26 |
| K21 | PT35D | 1 | D11/MPI_DATA11 | PT55D | 1 | D11/MPI_DATA11 |
| K22 | PT35C | 1 | D12/MPI_DATA12 | PT55C | 1 | D12/MPI_DATA12 |
| A20 | PT35B | 1 | A13/MPI_ADDR27 | PT55B | 1 | A13/MPI_ADDR27 |
| B20 | PT35A | 1 | A14/MPI_ADDR28 | PT55A | 1 | A14/MPI_ADDR28 |
| L21 | PT33D | 1 | A16/MPI_ADDR30 | PT53D | 1 | A16/MPI_ADDR30 |
| L20 | PT33C | 1 | D13/MPI_DATA13 | PT53C | 1 | D13/MPI_DATA13 |
| D20 | PT33B | 1 | A15/MPI_ADDR29 | PT53B | 1 | A15/MPI_ADDR29 |
| E20 | PT33A | 1 | A17/MPI_ADDR31 | PT53A | 1 | A17/MPI_ADDR31 |
| L19 | PT30D | 1 | A19/MPI_TSIZ1 | PT52D | 1 | A19/MPI_TSIZ1 |
| K19 | PT30C | 1 | A20/MPI_BDIP | PT52C | 1 | A20/MPI_BDIP |
| D21 | PT30B | 1 | A18/MPI_TSIZ0 | PT52B | 1 | A18/MPI_TSIZ0 |
| E21 | PT30A | 1 | MPI_TEA | PT52A | 1 | MPI_TEA |
| M20 | PT28D | 1 | D14/MPI_DATA14 | PT51D | 1 | D14/MPI_DATA14 |
| M19 | PT28C | 1 | DP1/MPI_PAR1 | PT51C | 1 | DP1/MPI_PAR1 |
| F21 | PT27B | 1 | A21/MPI_BURST | PT51B | 1 | A21/MPI_BURST |
| G21 | PT27A | 1 | D15/MPI_DATA15 | PT51A | 1 | D15/MPI_DATA15 |
| H24 | B_REFCLKP_L | - | | B_REFCLKP_L | - | |
| J24 | B_REFCLKN_L | - | | B_REFCLKN_L | - | |
| L22 | VCC12 | - | | VCC12 | - | |
| E26 | B_VDDIB3_L | - | | B_VDDIB3_L | - | |
| G22 | VCC12 | - | | VCC12 | - | |
| E22 | B_HDINP3_L | - | PCS 361 CH 3 IN P | B_HDINP3_L | - | PCS 361 CH 3 IN P |
| F22 | B_HDINN3_L | - | PCS 361 CH 3 IN N | B_HDINN3_L | - | PCS 361 CH 3 IN N |
| A21 | B_HDOUTP3_L | - | PCS 361 CH 3 OUT P | B_HDOUTP3_L | - | PCS 361 CH 3 OUT P |
| L24 | VCC12 | - | | VCC12 | - | |
| B21 | B_HDOUTN3_L | - | PCS 361 CH 3 OUT N | B_HDOUTN3_L | - | PCS 361 CH 3 OUT N |
| D22 | B_VDDOB3_L | - | | B_VDDOB3_L | - | |
| B22 | B_HDOUTN2_L | - | PCS 361 CH 2 OUT N | B_HDOUTN2_L | - | PCS 361 CH 2 OUT N |
| D23 | B_VDDOB2_L | - | | B_VDDOB2_L | - | |
| A22 | B_HDOUTP2_L | - | PCS 361 CH 2 OUT P | B_HDOUTP2_L | - | PCS 361 CH 2 OUT P |
| K24 | VCC12 | - | | VCC12 | - | |
| F23 | B_HDINN2_L | - | PCS 361 CH 2 IN N | B_HDINN2_L | - | PCS 361 CH 2 IN N |
| E23 | B_HDINP2_L | - | PCS 361 CH 2 IN P | B_HDINP2_L | - | PCS 361 CH 2 IN P |
| D26 | B_VDDIB2_L | - | | B_VDDIB2_L | - | |
| G23 | VCC12 | - | | VCC12 | - | |
| D27 | B_VDDIB1_L | - | | B_VDDIB1_L | - | |
| G24 | VCC12 | - | | VCC12 | - | |

LFSC/M40, LFSC/M80 Logic Signal Connections: 1152 fcBGA^{1,2} (Cont.)

| Ball Number | LFSC/M40 | | | LFSC/M80 | | |
|-------------|---------------|------------|--------------------|---------------|------------|--------------------|
| | Ball Function | VCCIO Bank | Dual Function | Ball Function | VCCIO Bank | Dual Function |
| E24 | B_HDINP1_L | - | PCS 361 CH 1 IN P | B_HDINP1_L | - | PCS 361 CH 1 IN P |
| F24 | B_HDINN1_L | - | PCS 361 CH 1 IN N | B_HDINN1_L | - | PCS 361 CH 1 IN N |
| A23 | B_HDOUTP1_L | - | PCS 361 CH 1 OUT P | B_HDOUTP1_L | - | PCS 361 CH 1 OUT P |
| L25 | VCC12 | - | | VCC12 | - | |
| B23 | B_HDOUTN1_L | - | PCS 361 CH 1 OUT N | B_HDOUTN1_L | - | PCS 361 CH 1 OUT N |
| D24 | B_VDDOB1_L | - | | B_VDDOB1_L | - | |
| B24 | B_HDOUTN0_L | - | PCS 361 CH 0 OUT N | B_HDOUTN0_L | - | PCS 361 CH 0 OUT N |
| D25 | B_VDDOB0_L | - | | B_VDDOB0_L | - | |
| A24 | B_HDOUTP0_L | - | PCS 361 CH 0 OUT P | B_HDOUTP0_L | - | PCS 361 CH 0 OUT P |
| K25 | VCC12 | - | | VCC12 | - | |
| F25 | B_HDINN0_L | - | PCS 361 CH 0 IN N | B_HDINN0_L | - | PCS 361 CH 0 IN N |
| E25 | B_HDINP0_L | - | PCS 361 CH 0 IN P | B_HDINP0_L | - | PCS 361 CH 0 IN P |
| D28 | B_VDDIB0_L | - | | B_VDDIB0_L | - | |
| G25 | VCC12 | - | | VCC12 | - | |
| D29 | A_VDDIB3_L | - | | A_VDDIB3_L | - | |
| C25 | VCC12 | - | | VCC12 | - | |
| A25 | A_HDINP3_L | - | PCS 360 CH 3 IN P | A_HDINP3_L | - | PCS 360 CH 3 IN P |
| B25 | A_HDINN3_L | - | PCS 360 CH 3 IN N | A_HDINN3_L | - | PCS 360 CH 3 IN N |
| A26 | A_HDOUTP3_L | - | PCS 360 CH 3 OUT P | A_HDOUTP3_L | - | PCS 360 CH 3 OUT P |
| E27 | VCC12 | - | | VCC12 | - | |
| B26 | A_HDOUTN3_L | - | PCS 360 CH 3 OUT N | A_HDOUTN3_L | - | PCS 360 CH 3 OUT N |
| F26 | A_VDDOB3_L | - | | A_VDDOB3_L | - | |
| B27 | A_HDOUTN2_L | - | PCS 360 CH 2 OUT N | A_HDOUTN2_L | - | PCS 360 CH 2 OUT N |
| F27 | A_VDDOB2_L | - | | A_VDDOB2_L | - | |
| A27 | A_HDOUTP2_L | - | PCS 360 CH 2 OUT P | A_HDOUTP2_L | - | PCS 360 CH 2 OUT P |
| E28 | VCC12 | - | | VCC12 | - | |
| B28 | A_HDINN2_L | - | PCS 360 CH 2 IN N | A_HDINN2_L | - | PCS 360 CH 2 IN N |
| A28 | A_HDINP2_L | - | PCS 360 CH 2 IN P | A_HDINP2_L | - | PCS 360 CH 2 IN P |
| D30 | A_VDDIB2_L | - | | A_VDDIB2_L | - | |
| C28 | VCC12 | - | | VCC12 | - | |
| D31 | A_VDDIB1_L | - | | A_VDDIB1_L | - | |
| C29 | VCC12 | - | | VCC12 | - | |
| A29 | A_HDINP1_L | - | PCS 360 CH 1 IN P | A_HDINP1_L | - | PCS 360 CH 1 IN P |
| B29 | A_HDINN1_L | - | PCS 360 CH 1 IN N | A_HDINN1_L | - | PCS 360 CH 1 IN N |
| A30 | A_HDOUTP1_L | - | PCS 360 CH 1 OUT P | A_HDOUTP1_L | - | PCS 360 CH 1 OUT P |
| E29 | VCC12 | - | | VCC12 | - | |
| B30 | A_HDOUTN1_L | - | PCS 360 CH 1 OUT N | A_HDOUTN1_L | - | PCS 360 CH 1 OUT N |
| F28 | A_VDDOB1_L | - | | A_VDDOB1_L | - | |
| B31 | A_HDOUTN0_L | - | PCS 360 CH 0 OUT N | A_HDOUTN0_L | - | PCS 360 CH 0 OUT N |
| F29 | A_VDDOB0_L | - | | A_VDDOB0_L | - | |
| A31 | A_HDOUTP0_L | - | PCS 360 CH 0 OUT P | A_HDOUTP0_L | - | PCS 360 CH 0 OUT P |
| E30 | VCC12 | - | | VCC12 | - | |
| B32 | A_HDINN0_L | - | PCS 360 CH 0 IN N | A_HDINN0_L | - | PCS 360 CH 0 IN N |
| A32 | A_HDINP0_L | - | PCS 360 CH 0 IN P | A_HDINP0_L | - | PCS 360 CH 0 IN P |
| D32 | A_VDDIB0_L | - | | A_VDDIB0_L | - | |

LFSC/M40, LFSC/M80 Logic Signal Connections: 1152 fcBGA^{1,2} (Cont.)

| Ball Number | LFSC/M40 | | | LFSC/M80 | | |
|-------------|---------------|------------|---------------|---------------|------------|---------------|
| | Ball Function | VCCIO Bank | Dual Function | Ball Function | VCCIO Bank | Dual Function |
| C32 | VCC12 | - | | VCC12 | - | |
| E34 | NC | - | | PL22A | 7 | |
| F34 | NC | - | | PL22B | 7 | |
| F33 | NC | - | | PL24A | 7 | |
| G33 | NC | - | | PL24B | 7 | |
| K30 | NC | - | | PL25A | 7 | |
| L30 | NC | - | | PL25B | 7 | |
| G34 | NC | - | | PL26A | 7 | |
| H34 | NC | - | | PL26B | 7 | |
| M32 | NC | - | | PL39A | 7 | |
| N32 | NC | - | | PL39B | 7 | |
| P28 | NC | - | | PL39C | 7 | |
| R28 | NC | - | | PL39D | 7 | |
| J34 | NC | - | | PL41A | 7 | |
| K34 | NC | - | | PL41B | 7 | |
| P30 | NC | - | | PL41C | 7 | |
| R30 | NC | - | | PL41D | 7 | |
| W34 | NC | - | | PL59A | 6 | |
| Y34 | NC | - | | PL59B | 6 | |
| W32 | NC | - | | PL61A | 6 | |
| Y32 | NC | - | | PL61B | 6 | |
| AA34 | NC | - | | PL64A | 6 | |
| AB34 | NC | - | | PL64B | 6 | |
| AC34 | NC | - | | PL67A | 6 | |
| AD34 | NC | - | | PL67B | 6 | |
| Y30 | NC | - | | PL68A | 6 | |
| AA30 | NC | - | | PL68B | 6 | |
| AB33 | NC | - | | PL69A | 6 | |
| AC33 | NC | - | | PL69B | 6 | |
| AC2 | NC | - | | PR69B | 3 | |
| AB2 | NC | - | | PR69A | 3 | |
| AA5 | NC | - | | PR68B | 3 | |
| Y5 | NC | - | | PR68A | 3 | |
| AD1 | NC | - | | PR67B | 3 | |
| AC1 | NC | - | | PR67A | 3 | |
| AB1 | NC | - | | PR64B | 3 | |
| AA1 | NC | - | | PR64A | 3 | |
| Y3 | NC | - | | PR61B | 3 | |
| W3 | NC | - | | PR61A | 3 | |
| Y1 | NC | - | | PR59B | 3 | |
| W1 | NC | - | | PR59A | 3 | |
| R5 | NC | - | | PR41D | 2 | |
| P5 | NC | - | | PR41C | 2 | |
| K1 | NC | - | | PR41B | 2 | |
| J1 | NC | - | | PR41A | 2 | |

LFSC/M40, LFSC/M80 Logic Signal Connections: 1152 fcBGA^{1,2} (Cont.)

| Ball Number | LFSC/M40 | | | LFSC/M80 | | |
|-------------|---------------|------------|---------------|---------------|------------|---------------|
| | Ball Function | VCCIO Bank | Dual Function | Ball Function | VCCIO Bank | Dual Function |
| R7 | NC | - | | PR39D | 2 | |
| P7 | NC | - | | PR39C | 2 | |
| N3 | NC | - | | PR39B | 2 | |
| M3 | NC | - | | PR39A | 2 | |
| H1 | NC | - | | PR26B | 2 | |
| G1 | NC | - | | PR26A | 2 | |
| L5 | NC | - | | PR25B | 2 | |
| K5 | NC | - | | PR25A | 2 | |
| G2 | NC | - | | PR24B | 2 | |
| F2 | NC | - | | PR24A | 2 | |
| F1 | NC | - | | PR22B | 2 | |
| E1 | NC | - | | PR22A | 2 | |
| A2 | GND | - | | GND | - | |
| A33 | GND | - | | GND | - | |
| AA15 | GND | - | | GND | - | |
| AA20 | GND | - | | GND | - | |
| AA32 | GND | - | | GND | - | |
| AA4 | GND | - | | GND | - | |
| AB28 | GND | - | | GND | - | |
| AB6 | GND | - | | GND | - | |
| AC11 | GND | - | | GND | - | |
| AC18 | GND | - | | GND | - | |
| AC25 | GND | - | | GND | - | |
| AD23 | GND | - | | GND | - | |
| AD3 | GND | - | | GND | - | |
| AD31 | GND | - | | GND | - | |
| AE12 | GND | - | | GND | - | |
| AE15 | GND | - | | GND | - | |
| AE29 | GND | - | | GND | - | |
| AE7 | GND | - | | GND | - | |
| AE9 | GND | - | | GND | - | |
| AF20 | GND | - | | GND | - | |
| AF26 | GND | - | | GND | - | |
| AG32 | GND | - | | GND | - | |
| AG4 | GND | - | | GND | - | |
| AH13 | GND | - | | GND | - | |
| AH19 | GND | - | | GND | - | |
| AH25 | GND | - | | GND | - | |
| AH7 | GND | - | | GND | - | |
| AJ10 | GND | - | | GND | - | |
| AJ16 | GND | - | | GND | - | |
| AJ22 | GND | - | | GND | - | |
| AJ28 | GND | - | | GND | - | |
| AK3 | GND | - | | GND | - | |
| AK31 | GND | - | | GND | - | |

LFSC/M40, LFSC/M80 Logic Signal Connections: 1152 fcBGA^{1,2} (Cont.)

| Ball Number | LFSC/M40 | | | LFSC/M80 | | |
|-------------|---------------|------------|---------------|---------------|------------|---------------|
| | Ball Function | VCCIO Bank | Dual Function | Ball Function | VCCIO Bank | Dual Function |
| AL11 | GND | - | | GND | - | |
| AL17 | GND | - | | GND | - | |
| AL21 | GND | - | | GND | - | |
| AL27 | GND | - | | GND | - | |
| AL5 | GND | - | | GND | - | |
| AM14 | GND | - | | GND | - | |
| AM18 | GND | - | | GND | - | |
| AM24 | GND | - | | GND | - | |
| AM30 | GND | - | | GND | - | |
| AM8 | GND | - | | GND | - | |
| AN1 | GND | - | | GND | - | |
| AN34 | GND | - | | GND | - | |
| AP2 | GND | - | | GND | - | |
| AP33 | GND | - | | GND | - | |
| B1 | GND | - | | GND | - | |
| B34 | GND | - | | GND | - | |
| C11 | GND | - | | GND | - | |
| C12 | GND | - | | GND | - | |
| C13 | GND | - | | GND | - | |
| C14 | GND | - | | GND | - | |
| C17 | GND | - | | GND | - | |
| C21 | GND | - | | GND | - | |
| C22 | GND | - | | GND | - | |
| C23 | GND | - | | GND | - | |
| C24 | GND | - | | GND | - | |
| C26 | GND | - | | GND | - | |
| C27 | GND | - | | GND | - | |
| C30 | GND | - | | GND | - | |
| C31 | GND | - | | GND | - | |
| C4 | GND | - | | GND | - | |
| C5 | GND | - | | GND | - | |
| C8 | GND | - | | GND | - | |
| C9 | GND | - | | GND | - | |
| D18 | GND | - | | GND | - | |
| E32 | GND | - | | GND | - | |
| E4 | GND | - | | GND | - | |
| F19 | GND | - | | GND | - | |
| G16 | GND | - | | GND | - | |
| G29 | GND | - | | GND | - | |
| G7 | GND | - | | GND | - | |
| H3 | GND | - | | GND | - | |
| H31 | GND | - | | GND | - | |
| J10 | GND | - | | GND | - | |
| J15 | GND | - | | GND | - | |
| J26 | GND | - | | GND | - | |

LFSC/M40, LFSC/M80 Logic Signal Connections: 1152 fcBGA^{1,2} (Cont.)

| Ball Number | LFSC/M40 | | | LFSC/M80 | | |
|-------------|---------------|------------|---------------|---------------|------------|---------------|
| | Ball Function | VCCIO Bank | Dual Function | Ball Function | VCCIO Bank | Dual Function |
| K20 | GND | - | | GND | - | |
| K23 | GND | - | | GND | - | |
| K26 | GND | - | | GND | - | |
| K28 | GND | - | | GND | - | |
| K6 | GND | - | | GND | - | |
| K9 | GND | - | | GND | - | |
| L12 | GND | - | | GND | - | |
| L32 | GND | - | | GND | - | |
| L4 | GND | - | | GND | - | |
| M10 | GND | - | | GND | - | |
| M17 | GND | - | | GND | - | |
| M24 | GND | - | | GND | - | |
| N29 | GND | - | | GND | - | |
| N7 | GND | - | | GND | - | |
| P15 | GND | - | | GND | - | |
| P20 | GND | - | | GND | - | |
| P3 | GND | - | | GND | - | |
| P31 | GND | - | | GND | - | |
| R10 | GND | - | | GND | - | |
| R14 | GND | - | | GND | - | |
| R16 | GND | - | | GND | - | |
| R19 | GND | - | | GND | - | |
| R21 | GND | - | | GND | - | |
| R26 | GND | - | | GND | - | |
| T15 | GND | - | | GND | - | |
| T17 | GND | - | | GND | - | |
| T18 | GND | - | | GND | - | |
| T20 | GND | - | | GND | - | |
| T28 | GND | - | | GND | - | |
| T6 | GND | - | | GND | - | |
| U16 | GND | - | | GND | - | |
| U19 | GND | - | | GND | - | |
| U23 | GND | - | | GND | - | |
| U32 | GND | - | | GND | - | |
| U4 | GND | - | | GND | - | |
| V12 | GND | - | | GND | - | |
| V16 | GND | - | | GND | - | |
| V19 | GND | - | | GND | - | |
| V3 | GND | - | | GND | - | |
| V31 | GND | - | | GND | - | |
| W15 | GND | - | | GND | - | |
| W17 | GND | - | | GND | - | |
| W18 | GND | - | | GND | - | |
| W20 | GND | - | | GND | - | |
| W29 | GND | - | | GND | - | |

LFSC/M40, LFSC/M80 Logic Signal Connections: 1152 fcBGA^{1,2} (Cont.)

| Ball Number | LFSC/M40 | | | LFSC/M80 | | |
|-------------|---------------|------------|---------------|---------------|------------|---------------|
| | Ball Function | VCCIO Bank | Dual Function | Ball Function | VCCIO Bank | Dual Function |
| W7 | GND | - | | GND | - | |
| AA14 | VCC | - | | VCC | - | |
| AA16 | VCC | - | | VCC | - | |
| AA17 | VCC | - | | VCC | - | |
| AA18 | VCC | - | | VCC | - | |
| AA19 | VCC | - | | VCC | - | |
| AA21 | VCC | - | | VCC | - | |
| AB13 | VCC | - | | VCC | - | |
| AB22 | VCC | - | | VCC | - | |
| N13 | VCC | - | | VCC | - | |
| N22 | VCC | - | | VCC | - | |
| P14 | VCC | - | | VCC | - | |
| P16 | VCC | - | | VCC | - | |
| P17 | VCC | - | | VCC | - | |
| P18 | VCC | - | | VCC | - | |
| P19 | VCC | - | | VCC | - | |
| P21 | VCC | - | | VCC | - | |
| R15 | VCC | - | | VCC | - | |
| R17 | VCC | - | | VCC | - | |
| R18 | VCC | - | | VCC | - | |
| R20 | VCC | - | | VCC | - | |
| T14 | VCC | - | | VCC | - | |
| T16 | VCC | - | | VCC | - | |
| T19 | VCC | - | | VCC | - | |
| T21 | VCC | - | | VCC | - | |
| U14 | VCC | - | | VCC | - | |
| U15 | VCC | - | | VCC | - | |
| U17 | VCC | - | | VCC | - | |
| U18 | VCC | - | | VCC | - | |
| U20 | VCC | - | | VCC | - | |
| U21 | VCC | - | | VCC | - | |
| V14 | VCC | - | | VCC | - | |
| V15 | VCC | - | | VCC | - | |
| V17 | VCC | - | | VCC | - | |
| V18 | VCC | - | | VCC | - | |
| V20 | VCC | - | | VCC | - | |
| V21 | VCC | - | | VCC | - | |
| W14 | VCC | - | | VCC | - | |
| W16 | VCC | - | | VCC | - | |
| W19 | VCC | - | | VCC | - | |
| W21 | VCC | - | | VCC | - | |
| Y15 | VCC | - | | VCC | - | |
| Y17 | VCC | - | | VCC | - | |
| Y18 | VCC | - | | VCC | - | |
| Y20 | VCC | - | | VCC | - | |

LFSC/M40, LFSC/M80 Logic Signal Connections: 1152 fcBGA^{1,2} (Cont.)

| Ball Number | LFSC/M40 | | | LFSC/M80 | | |
|-------------|---------------|------------|---------------|---------------|------------|---------------|
| | Ball Function | VCCIO Bank | Dual Function | Ball Function | VCCIO Bank | Dual Function |
| AB15 | VCC12 | - | | VCC12 | - | |
| AB20 | VCC12 | - | | VCC12 | - | |
| N15 | VCC12 | - | | VCC12 | - | |
| N20 | VCC12 | - | | VCC12 | - | |
| R13 | VCC12 | - | | VCC12 | - | |
| R22 | VCC12 | - | | VCC12 | - | |
| Y13 | VCC12 | - | | VCC12 | - | |
| Y22 | VCC12 | - | | VCC12 | - | |
| AA12 | VCCAUX | - | | VCCAUX | - | |
| AA23 | VCCAUX | - | | VCCAUX | - | |
| AB12 | VCCAUX | - | | VCCAUX | - | |
| AB16 | VCCAUX | - | | VCCAUX | - | |
| AB17 | VCCAUX | - | | VCCAUX | - | |
| AB18 | VCCAUX | - | | VCCAUX | - | |
| AB19 | VCCAUX | - | | VCCAUX | - | |
| AB23 | VCCAUX | - | | VCCAUX | - | |
| AC12 | VCCAUX | - | | VCCAUX | - | |
| AC13 | VCCAUX | - | | VCCAUX | - | |
| Y19 | GND | - | | GND | - | |
| AC14 | VCCAUX | - | | VCCAUX | - | |
| AC17 | VCCAUX | - | | VCCAUX | - | |
| AC21 | VCCAUX | - | | VCCAUX | - | |
| AC22 | VCCAUX | - | | VCCAUX | - | |
| AC23 | VCCAUX | - | | VCCAUX | - | |
| M13 | VCCAUX | - | | VCCAUX | - | |
| M14 | VCCAUX | - | | VCCAUX | - | |
| M18 | VCCAUX | - | | VCCAUX | - | |
| M21 | VCCAUX | - | | VCCAUX | - | |
| M22 | VCCAUX | - | | VCCAUX | - | |
| N12 | VCCAUX | - | | VCCAUX | - | |
| N16 | VCCAUX | - | | VCCAUX | - | |
| N17 | VCCAUX | - | | VCCAUX | - | |
| N18 | VCCAUX | - | | VCCAUX | - | |
| N19 | VCCAUX | - | | VCCAUX | - | |
| N23 | VCCAUX | - | | VCCAUX | - | |
| P12 | VCCAUX | - | | VCCAUX | - | |
| P23 | VCCAUX | - | | VCCAUX | - | |
| T13 | VCCAUX | - | | VCCAUX | - | |
| T22 | VCCAUX | - | | VCCAUX | - | |
| U12 | VCCAUX | - | | VCCAUX | - | |
| U13 | VCCAUX | - | | VCCAUX | - | |
| U22 | VCCAUX | - | | VCCAUX | - | |
| V13 | VCCAUX | - | | VCCAUX | - | |
| V22 | VCCAUX | - | | VCCAUX | - | |
| V23 | VCCAUX | - | | VCCAUX | - | |

LFSC/M40, LFSC/M80 Logic Signal Connections: 1152 fcBGA^{1,2} (Cont.)

| Ball Number | LFSC/M40 | | | LFSC/M80 | | |
|-------------|---------------|------------|---------------|---------------|------------|---------------|
| | Ball Function | VCCIO Bank | Dual Function | Ball Function | VCCIO Bank | Dual Function |
| W13 | VCCAUX | - | | VCCAUX | - | |
| W22 | VCCAUX | - | | VCCAUX | - | |
| Y21 | GND | - | | GND | - | |
| Y25 | GND | - | | GND | - | |
| C18 | VCCIO1 | - | | VCCIO1 | - | |
| D17 | VCCIO1 | - | | VCCIO1 | - | |
| F16 | VCCIO1 | - | | VCCIO1 | - | |
| G19 | VCCIO1 | - | | VCCIO1 | - | |
| J20 | VCCIO1 | - | | VCCIO1 | - | |
| K12 | VCCIO1 | - | | VCCIO1 | - | |
| K15 | VCCIO1 | - | | VCCIO1 | - | |
| L23 | VCCIO1 | - | | VCCIO1 | - | |
| Y9 | GND | - | | GND | - | |
| J9 | VCCIO1 | - | | VCCIO1 | - | |
| E3 | VCCIO2 | - | | VCCIO2 | - | |
| G6 | VCCIO2 | - | | VCCIO2 | - | |
| H4 | VCCIO2 | - | | VCCIO2 | - | |
| K7 | VCCIO2 | - | | VCCIO2 | - | |
| L3 | VCCIO2 | - | | VCCIO2 | - | |
| M11 | VCCIO2 | - | | VCCIO2 | - | |
| N6 | VCCIO2 | - | | VCCIO2 | - | |
| P4 | VCCIO2 | - | | VCCIO2 | - | |
| R9 | VCCIO2 | - | | VCCIO2 | - | |
| AA3 | VCCIO3 | - | | VCCIO3 | - | |
| AB7 | VCCIO3 | - | | VCCIO3 | - | |
| AC10 | VCCIO3 | - | | VCCIO3 | - | |
| AD4 | VCCIO3 | - | | VCCIO3 | - | |
| AE6 | VCCIO3 | - | | VCCIO3 | - | |
| AG3 | VCCIO3 | - | | VCCIO3 | - | |
| AK4 | VCCIO3 | - | | VCCIO3 | - | |
| T7 | VCCIO3 | - | | VCCIO3 | - | |
| U3 | VCCIO3 | - | | VCCIO3 | - | |
| V4 | VCCIO3 | - | | VCCIO3 | - | |
| W6 | VCCIO3 | - | | VCCIO3 | - | |
| Y10 | VCCIO3 | - | | VCCIO3 | - | |
| AD12 | VCCIO4 | - | | VCCIO4 | - | |
| AF15 | VCCIO4 | - | | VCCIO4 | - | |
| AF9 | VCCIO4 | - | | VCCIO4 | - | |
| AH10 | VCCIO4 | - | | VCCIO4 | - | |
| AH16 | VCCIO4 | - | | VCCIO4 | - | |
| AJ13 | VCCIO4 | - | | VCCIO4 | - | |
| AJ7 | VCCIO4 | - | | VCCIO4 | - | |
| AL14 | VCCIO4 | - | | VCCIO4 | - | |
| AL8 | VCCIO4 | - | | VCCIO4 | - | |
| AM11 | VCCIO4 | - | | VCCIO4 | - | |

LFSC/M40, LFSC/M80 Logic Signal Connections: 1152 fcBGA^{1,2} (Cont.)

| Ball Number | LFSC/M40 | | | LFSC/M80 | | |
|-------------|---------------|------------|---------------|---------------|------------|---------------|
| | Ball Function | VCCIO Bank | Dual Function | Ball Function | VCCIO Bank | Dual Function |
| AM17 | VCCIO4 | - | | VCCIO4 | - | |
| AM5 | VCCIO4 | - | | VCCIO4 | - | |
| AE20 | VCCIO5 | - | | VCCIO5 | - | |
| AE23 | VCCIO5 | - | | VCCIO5 | - | |
| AE26 | VCCIO5 | - | | VCCIO5 | - | |
| AH22 | VCCIO5 | - | | VCCIO5 | - | |
| AH28 | VCCIO5 | - | | VCCIO5 | - | |
| AJ19 | VCCIO5 | - | | VCCIO5 | - | |
| AJ25 | VCCIO5 | - | | VCCIO5 | - | |
| AL18 | VCCIO5 | - | | VCCIO5 | - | |
| AL24 | VCCIO5 | - | | VCCIO5 | - | |
| AL30 | VCCIO5 | - | | VCCIO5 | - | |
| AM21 | VCCIO5 | - | | VCCIO5 | - | |
| AM27 | VCCIO5 | - | | VCCIO5 | - | |
| AA31 | VCCIO6 | - | | VCCIO6 | - | |
| AB29 | VCCIO6 | - | | VCCIO6 | - | |
| AC24 | VCCIO6 | - | | VCCIO6 | - | |
| AD32 | VCCIO6 | - | | VCCIO6 | - | |
| AE28 | VCCIO6 | - | | VCCIO6 | - | |
| AG31 | VCCIO6 | - | | VCCIO6 | - | |
| AK32 | VCCIO6 | - | | VCCIO6 | - | |
| T29 | VCCIO6 | - | | VCCIO6 | - | |
| U31 | VCCIO6 | - | | VCCIO6 | - | |
| V32 | VCCIO6 | - | | VCCIO6 | - | |
| W28 | VCCIO6 | - | | VCCIO6 | - | |
| Y26 | VCCIO6 | - | | VCCIO6 | - | |
| E31 | VCCIO7 | - | | VCCIO7 | - | |
| G28 | VCCIO7 | - | | VCCIO7 | - | |
| H32 | VCCIO7 | - | | VCCIO7 | - | |
| K29 | VCCIO7 | - | | VCCIO7 | - | |
| L31 | VCCIO7 | - | | VCCIO7 | - | |
| M25 | VCCIO7 | - | | VCCIO7 | - | |
| N28 | VCCIO7 | - | | VCCIO7 | - | |
| P32 | VCCIO7 | - | | VCCIO7 | - | |
| R25 | VCCIO7 | - | | VCCIO7 | - | |
| J25 | VCCIO1 | - | | VCCIO1 | - | |
| N11 | VTT_2 | 2 | | VTT_2 | 2 | |
| R12 | VTT_2 | 2 | | VTT_2 | 2 | |
| T12 | VTT_2 | 2 | | VTT_2 | 2 | |
| AB11 | VTT_3 | 3 | | VTT_3 | 3 | |
| W12 | VTT_3 | 3 | | VTT_3 | 3 | |
| Y12 | VTT_3 | 3 | | VTT_3 | 3 | |
| AC15 | VTT_4 | 4 | | VTT_4 | 4 | |
| AC16 | VTT_4 | 4 | | VTT_4 | 4 | |
| AD13 | VTT_4 | 4 | | VTT_4 | 4 | |

LFSC/M40, LFSC/M80 Logic Signal Connections: 1152 fcBGA^{1,2} (Cont.)

| Ball Number | LFSC/M40 | | | LFSC/M80 | | |
|-------------|---------------|------------|---------------|---------------|------------|---------------|
| | Ball Function | VCCIO Bank | Dual Function | Ball Function | VCCIO Bank | Dual Function |
| AC19 | VTT_5 | 5 | | VTT_5 | 5 | |
| AC20 | VTT_5 | 5 | | VTT_5 | 5 | |
| AD22 | VTT_5 | 5 | | VTT_5 | 5 | |
| AB24 | VTT_6 | 6 | | VTT_6 | 6 | |
| W23 | VTT_6 | 6 | | VTT_6 | 6 | |
| Y23 | VTT_6 | 6 | | VTT_6 | 6 | |
| N24 | VTT_7 | 7 | | VTT_7 | 7 | |
| R23 | VTT_7 | 7 | | VTT_7 | 7 | |
| T23 | VTT_7 | 7 | | VTT_7 | 7 | |
| M12 | VDDAX25_R | - | | VDDAX25_R | - | |
| M23 | VDDAX25_L | - | | VDDAX25_L | - | |
| Y16 | GND | - | | GND | - | |
| Y14 | GND | - | | GND | - | |
| N21 | VCC12 | - | | VCC12 | - | |
| P22 | VCC12 | - | | VCC12 | - | |
| AA22 | VCC12 | - | | VCC12 | - | |
| AB21 | VCC12 | - | | VCC12 | - | |
| AB14 | VCC12 | - | | VCC12 | - | |
| AA13 | VCC12 | - | | VCC12 | - | |
| P13 | VCC12 | - | | VCC12 | - | |
| N14 | VCC12 | - | | VCC12 | - | |
| G26 | NC | - | | NC | - | |
| G9 | NC | - | | NC | - | |
| J12 | NC | - | | NC | - | |
| H12 | NC | - | | NC | - | |
| H23 | NC | - | | NC | - | |
| J23 | NC | - | | NC | - | |

1. Differential pair grouping within a PCI is A (True) and B (complement) and C (True) and D (Complement).
2. The LatticeSC/M40 and LatticeSC/M80 in an 1152-pin package support a 32-bit MPI interface.

LFSC/M115 Logic Signal Connections: 1152 fcBGA^{1,2}

| Ball Number | LFSC/M115 | | |
|-------------|---------------|------------|-----------------------------|
| | Ball Function | VCCIO Bank | Dual Function |
| G27 | A_REFCLKP_L | - | |
| H27 | A_REFCLKN_L | - | |
| H25 | VCC12 | - | |
| H26 | RESP_ULC | - | |
| B33 | RESETN | 1 | |
| C34 | TSALLN | 1 | |
| D34 | DONE | 1 | |
| C33 | INITN | 1 | |
| J27 | M0 | 1 | |
| K27 | M1 | 1 | |
| M26 | M2 | 1 | |
| L26 | M3 | 1 | |
| F30 | PL15A | 7 | ULC_PLLT_IN_A/ULC_PLLT_FB_B |
| G30 | PL15B | 7 | ULC_PLLC_IN_A/ULC_PLLC_FB_B |
| H28 | PL15C | 7 | |
| J28 | PL15D | 7 | |
| F31 | PL17A | 7 | ULC_DLLT_IN_C/ULC_DLLT_FB_D |
| G31 | PL17B | 7 | ULC_DLLC_IN_C/ULC_DLLC_FB_D |
| N25 | PL17C | 7 | ULC_PLLT_IN_B/ULC_PLLT_FB_A |
| P25 | PL17D | 7 | ULC_PLLC_IN_B/ULC_PLLC_FB_A |
| D33 | PL18A | 7 | ULC_DLLT_IN_D/ULC_DLLT_FB_C |
| E33 | PL18B | 7 | ULC_DLLC_IN_D/ULC_DLLC_FB_C |
| H29 | PL18C | 7 | |
| J29 | PL18D | 7 | VREF2_7 |
| F32 | PL19A | 7 | |
| G32 | PL19B | 7 | |
| P26 | PL19C | 7 | |
| N26 | PL19D | 7 | |
| H30 | PL26A | 7 | |
| J30 | PL26B | 7 | |
| L28 | PL26C | 7 | |
| M28 | PL26D | 7 | |
| J31 | PL43A | 7 | |
| K31 | PL43B | 7 | |
| L27 | PL43C | 7 | VREF1_7 |
| M27 | PL43D | 7 | DIFFR_7 |
| J32 | PL45A | 7 | |
| K32 | PL45B | 7 | |
| L29 | PL45C | 7 | |
| M29 | PL45D | 7 | |
| H33 | PL47A | 7 | |
| J33 | PL47B | 7 | |

LFSC/M115 Logic Signal Connections: 1152 fcBGA^{1, 2}

| Ball Number | LFSC/M115 | | |
|-------------|---------------|------------|---------------|
| | Ball Function | VCCIO Bank | Dual Function |
| N27 | PL47C | 7 | |
| P27 | PL47D | 7 | |
| K33 | PL49A | 7 | |
| L33 | PL49B | 7 | |
| M30 | PL49C | 7 | |
| N30 | PL49D | 7 | |
| M31 | PL51A | 7 | |
| N31 | PL51B | 7 | |
| P24 | PL51C | 7 | |
| R24 | PL51D | 7 | |
| M33 | PL56A | 7 | |
| N33 | PL56B | 7 | |
| U25 | PL56C | 7 | |
| T25 | PL56D | 7 | |
| L34 | PL57A | 7 | |
| M34 | PL57B | 7 | |
| P29 | PL57C | 7 | |
| R29 | PL57D | 7 | |
| N34 | PL60A | 7 | |
| P34 | PL60B | 7 | |
| R27 | PL60C | 7 | |
| T27 | PL60D | 7 | |
| R32 | PL61A | 7 | PCLKT7_1 |
| R31 | PL61B | 7 | PCLKC7_1 |
| U24 | PL61C | 7 | PCLKT7_3 |
| T24 | PL61D | 7 | PCLKC7_3 |
| P33 | PL62A | 7 | PCLKT7_0 |
| R33 | PL62B | 7 | PCLKC7_0 |
| T26 | PL62C | 7 | PCLKT7_2 |
| U26 | PL62D | 7 | PCLKC7_2 |
| T32 | PL64A | 6 | PCLKT6_0 |
| T31 | PL64B | 6 | PCLKC6_0 |
| U29 | PL64C | 6 | PCLKT6_1 |
| V29 | PL64D | 6 | PCLKC6_1 |
| T30 | PL65A | 6 | |
| U30 | PL65B | 6 | |
| U27 | PL65C | 6 | PCLKT6_3 |
| V27 | PL65D | 6 | PCLKC6_3 |
| R34 | PL66A | 6 | |
| T34 | PL66B | 6 | |
| U28 | PL66C | 6 | PCLKT6_2 |
| V28 | PL66D | 6 | PCLKC6_2 |
| V30 | PL69A | 6 | |

LFSC/M115 Logic Signal Connections: 1152 fcBGA^{1, 2}

| Ball Number | LFSC/M115 | | |
|-------------|---------------|------------|---------------|
| | Ball Function | VCCIO Bank | Dual Function |
| W30 | PL69B | 6 | |
| W27 | PL69C | 6 | VREF1_6 |
| Y27 | PL69D | 6 | |
| T33 | PL70A | 6 | |
| U33 | PL70B | 6 | |
| V25 | PL70C | 6 | |
| W25 | PL70D | 6 | |
| U34 | PL71A | 6 | |
| V34 | PL71B | 6 | |
| V26 | PL71C | 6 | |
| W26 | PL71D | 6 | |
| V33 | PL74A | 6 | |
| W33 | PL74B | 6 | |
| V24 | PL74C | 6 | |
| W24 | PL74D | 6 | |
| W31 | PL77A | 6 | |
| Y31 | PL77B | 6 | |
| Y29 | PL77C | 6 | |
| AA29 | PL77D | 6 | |
| Y33 | PL79A | 6 | |
| AA33 | PL79B | 6 | |
| Y28 | PL79C | 6 | |
| AA28 | PL79D | 6 | |
| AB32 | PL90A | 6 | |
| AC32 | PL90B | 6 | |
| AA26 | PL90C | 6 | |
| AA27 | PL90D | 6 | DIFFR_6 |
| AB31 | PL91A | 6 | |
| AC31 | PL91B | 6 | |
| Y24 | PL91C | 6 | |
| AA24 | PL91D | 6 | |
| AE34 | PL92A | 6 | |
| AF34 | PL92B | 6 | |
| AB30 | PL92C | 6 | |
| AC30 | PL92D | 6 | |
| AD33 | PL94A | 6 | |
| AE33 | PL94B | 6 | |
| AD30 | PL94C | 6 | |
| AE30 | PL94D | 6 | |
| AE32 | PL96A | 6 | |
| AF32 | PL96B | 6 | |
| AA25 | PL96C | 6 | |
| AB25 | PL96D | 6 | |

LFSC/M115 Logic Signal Connections: 1152 fcBGA^{1, 2}

| Ball Number | LFSC/M115 | | |
|-------------|---------------|------------|-----------------------------|
| | Ball Function | VCCIO Bank | Dual Function |
| AJ34 | PL98A | 6 | |
| AK34 | PL98B | 6 | |
| AB27 | PL98C | 6 | |
| AC27 | PL98D | 6 | |
| AF33 | PL99A | 6 | |
| AG33 | PL99B | 6 | |
| AC29 | PL99C | 6 | |
| AD29 | PL99D | 6 | |
| AE31 | PL103A | 6 | |
| AF31 | PL103B | 6 | |
| AF30 | PL103C | 6 | |
| AF29 | PL103D | 6 | |
| AH33 | PL104A | 6 | |
| AJ33 | PL104B | 6 | |
| AC28 | PL104C | 6 | |
| AD28 | PL104D | 6 | |
| AH32 | PL107A | 6 | |
| AJ32 | PL107B | 6 | |
| AD27 | PL107C | 6 | |
| AE27 | PL107D | 6 | VREF2_6 |
| AG34 | PL109A | 6 | |
| AH34 | PL109B | 6 | |
| AC26 | PL109C | 6 | |
| AB26 | PL109D | 6 | |
| AK33 | PL112A | 6 | |
| AL33 | PL112B | 6 | |
| AG30 | PL112C | 6 | |
| AH30 | PL112D | 6 | |
| AL34 | PL115A | 6 | |
| AM34 | PL115B | 6 | |
| AJ30 | PL115C | 6 | LLC_DLLT_IN_E/LLC_DLLT_FB_F |
| AK30 | PL115D | 6 | LLC_DLLC_IN_E/LLC_DLLC_FB_F |
| AJ31 | PL116A | 6 | |
| AH31 | PL116B | 6 | |
| AD26 | PL116C | 6 | |
| AD25 | PL116D | 6 | |
| AL32 | PL117A | 6 | LLC_DLLT_IN_F/LLC_DLLT_FB_E |
| AL31 | PL117B | 6 | LLC_DLLC_IN_F/LLC_DLLC_FB_E |
| AG29 | PL117C | 6 | LLC_PLLT_IN_B/LLC_PLLT_FB_A |
| AG28 | PL117D | 6 | LLC_PLLC_IN_B/LLC_PLLC_FB_A |
| AF28 | XRES | - | |
| AF27 | TEMP | 6 | |
| AM33 | PB3A | 5 | LLC_PLLT_IN_A/LLC_PLLT_FB_B |

LFSC/M115 Logic Signal Connections: 1152 fcBGA^{1, 2}

| Ball Number | LFSC/M115 | | |
|-------------|---------------|------------|-----------------------------|
| | Ball Function | VCCIO Bank | Dual Function |
| AN33 | PB3B | 5 | LLC_PLLC_IN_A/LLC_PLLC_FB_B |
| AH29 | PB3C | 5 | LLC_DLLT_IN_C/LLC_DLLT_FB_D |
| AJ29 | PB3D | 5 | LLC_DLLC_IN_C/LLC_DLLC_FB_D |
| AM32 | PB4A | 5 | LLC_DLLT_IN_D/LLC_DLLT_FB_C |
| AM31 | PB4B | 5 | LLC_DLLC_IN_D/LLC_DLLC_FB_C |
| AG27 | PB4C | 5 | |
| AG26 | PB4D | 5 | |
| AL29 | PB5A | 5 | |
| AL28 | PB5B | 5 | |
| AH27 | PB5C | 5 | |
| AH26 | PB5D | 5 | VREF1_5 |
| AN32 | PB7A | 5 | |
| AP32 | PB7B | 5 | |
| AF25 | PB7C | 5 | |
| AE25 | PB7D | 5 | |
| AN31 | PB11A | 5 | |
| AN30 | PB11B | 5 | |
| AK29 | PB11C | 5 | |
| AK28 | PB11D | 5 | |
| AP31 | PB12A | 5 | |
| AP30 | PB12B | 5 | |
| AD24 | PB12C | 5 | |
| AE24 | PB12D | 5 | |
| AM29 | PB15A | 5 | |
| AM28 | PB15B | 5 | |
| AJ27 | PB15C | 5 | |
| AJ26 | PB15D | 5 | |
| AP29 | PB16A | 5 | |
| AP28 | PB16B | 5 | |
| AK27 | PB16C | 5 | |
| AK26 | PB16D | 5 | |
| AN29 | PB19A | 5 | |
| AN28 | PB19B | 5 | |
| AG25 | PB19C | 5 | |
| AG24 | PB19D | 5 | |
| AL26 | PB20A | 5 | |
| AL25 | PB20B | 5 | |
| AG23 | PB20C | 5 | |
| AG22 | PB20D | 5 | |
| AN27 | PB23A | 5 | |
| AN26 | PB23B | 5 | |
| AF24 | PB23C | 5 | |
| AF23 | PB23D | 5 | |

LFSC/M115 Logic Signal Connections: 1152 fcBGA^{1, 2}

| Ball Number | LFSC/M115 | | |
|-------------|---------------|------------|---------------|
| | Ball Function | VCCIO Bank | Dual Function |
| AP27 | PB26A | 5 | |
| AP26 | PB26B | 5 | |
| AK25 | PB26C | 5 | |
| AK24 | PB26D | 5 | |
| AN25 | PB29A | 5 | |
| AN24 | PB29B | 5 | |
| AE22 | PB29C | 5 | |
| AE21 | PB29D | 5 | |
| AM26 | PB31A | 5 | |
| AM25 | PB31B | 5 | |
| AF22 | PB31C | 5 | |
| AF21 | PB31D | 5 | |
| AN23 | PB47A | 5 | |
| AN22 | PB47B | 5 | |
| AP23 | PB57A | 5 | |
| AP22 | PB57B | 5 | |
| AG21 | PB57C | 5 | |
| AG20 | PB57D | 5 | |
| AP25 | PB50A | 5 | PCLKT5_3 |
| AP24 | PB50B | 5 | PCLKC5_3 |
| AD21 | PB50C | 5 | PCLKT5_4 |
| AD20 | PB50D | 5 | PCLKC5_4 |
| AL23 | PB51A | 5 | PCLKT5_5 |
| AL22 | PB51B | 5 | PCLKC5_5 |
| AH24 | PB51C | 5 | |
| AH23 | PB51D | 5 | |
| AM23 | PB53A | 5 | PCLKT5_0 |
| AM22 | PB53B | 5 | PCLKC5_0 |
| AJ24 | PB53C | 5 | |
| AJ23 | PB53D | 5 | VREF2_5 |
| AN21 | PB54A | 5 | PCLKT5_1 |
| AN20 | PB54B | 5 | PCLKC5_1 |
| AE19 | PB54C | 5 | PCLKT5_6 |
| AD19 | PB54D | 5 | PCLKC5_6 |
| AK21 | PB55A | 5 | PCLKT5_2 |
| AK20 | PB55B | 5 | PCLKC5_2 |
| AK23 | PB55C | 5 | PCLKT5_7 |
| AK22 | PB55D | 5 | PCLKC5_7 |
| AL20 | PB58A | 5 | |
| AL19 | PB58B | 5 | |
| AG19 | PB58C | 5 | |
| AF19 | PB58D | 5 | |
| AP21 | PB61A | 5 | |

LFSC/M115 Logic Signal Connections: 1152 fcBGA^{1, 2}

| Ball Number | LFSC/M115 | | |
|-------------|---------------|------------|---------------|
| | Ball Function | VCCIO Bank | Dual Function |
| AP20 | PB61B | 5 | |
| AH21 | PB61C | 5 | |
| AH20 | PB61D | 5 | |
| AM20 | PB63A | 5 | |
| AM19 | PB63B | 5 | |
| AJ21 | PB63C | 5 | |
| AJ20 | PB63D | 5 | |
| AK19 | PB66A | 5 | |
| AK18 | PB66B | 5 | |
| AE18 | PB66C | 5 | |
| AD18 | PB66D | 5 | |
| AN19 | PB69A | 5 | |
| AN18 | PB69B | 5 | |
| AG18 | PB69C | 5 | |
| AF18 | PB69D | 5 | |
| AP19 | PB71A | 5 | |
| AP18 | PB71B | 5 | |
| AJ18 | PB71C | 5 | |
| AH18 | PB71D | 5 | |
| AP17 | PB73A | 4 | |
| AP16 | PB73B | 4 | |
| AJ17 | PB73C | 4 | |
| AH17 | PB73D | 4 | |
| AN17 | PB75A | 4 | |
| AN16 | PB75B | 4 | |
| AE17 | PB75C | 4 | |
| AD17 | PB75D | 4 | |
| AK17 | PB78A | 4 | |
| AK16 | PB78B | 4 | |
| AG17 | PB78C | 4 | |
| AF17 | PB78D | 4 | |
| AM16 | PB81A | 4 | |
| AM15 | PB81B | 4 | |
| AJ15 | PB81C | 4 | |
| AJ14 | PB81D | 4 | |
| AL16 | PB83A | 4 | |
| AL15 | PB83B | 4 | |
| AG16 | PB83C | 4 | |
| AF16 | PB83D | 4 | |
| AP15 | PB86A | 4 | |
| AP14 | PB86B | 4 | |
| AH15 | PB86C | 4 | |
| AH14 | PB86D | 4 | |

LFSC/M115 Logic Signal Connections: 1152 fcBGA^{1, 2}

| Ball Number | LFSC/M115 | | |
|-------------|---------------|------------|---------------|
| | Ball Function | VCCIO Bank | Dual Function |
| AN15 | PB89A | 4 | PCLKT4_2 |
| AN14 | PB89B | 4 | PCLKC4_2 |
| AE16 | PB89C | 4 | PCLKT4_7 |
| AD16 | PB89D | 4 | PCLKC4_7 |
| AK15 | PB90A | 4 | PCLKT4_1 |
| AK14 | PB90B | 4 | PCLKC4_1 |
| AG15 | PB90C | 4 | PCLKT4_6 |
| AG14 | PB90D | 4 | PCLKC4_6 |
| AM13 | PB91A | 4 | PCLKT4_0 |
| AM12 | PB91B | 4 | PCLKC4_0 |
| AJ12 | PB91C | 4 | VREF2_4 |
| AJ11 | PB91D | 4 | |
| AL13 | PB93A | 4 | PCLKT4_5 |
| AL12 | PB93B | 4 | PCLKC4_5 |
| AH12 | PB93C | 4 | |
| AH11 | PB93D | 4 | |
| AN13 | PB94A | 4 | PCLKT4_3 |
| AN12 | PB94B | 4 | PCLKC4_3 |
| AD14 | PB94C | 4 | PCLKT4_4 |
| AD15 | PB94D | 4 | PCLKC4_4 |
| AP13 | PB87A | 4 | |
| AP12 | PB87B | 4 | |
| AK13 | PB87C | 4 | |
| AK12 | PB87D | 4 | |
| AP11 | PB97A | 4 | |
| AP10 | PB97B | 4 | |
| AN11 | PB113A | 4 | |
| AN10 | PB113B | 4 | |
| AF14 | PB113C | 4 | |
| AF13 | PB113D | 4 | |
| AM10 | PB115A | 4 | |
| AM9 | PB115B | 4 | |
| AE14 | PB115C | 4 | |
| AE13 | PB115D | 4 | |
| AP9 | PB118A | 4 | |
| AP8 | PB118B | 4 | |
| AK11 | PB118C | 4 | |
| AK10 | PB118D | 4 | |
| AL10 | PB121A | 4 | |
| AL9 | PB121B | 4 | |
| AF12 | PB121C | 4 | |
| AF11 | PB121D | 4 | |
| AN9 | PB123A | 4 | |

LFSC/M115 Logic Signal Connections: 1152 fcBGA^{1, 2}

| Ball Number | LFSC/M115 | | |
|-------------|---------------|------------|-----------------------------|
| | Ball Function | VCCIO Bank | Dual Function |
| AN8 | PB123B | 4 | |
| AG11 | PB123C | 4 | |
| AG10 | PB123D | 4 | |
| AP7 | PB125A | 4 | |
| AP6 | PB125B | 4 | |
| AG13 | PB125C | 4 | |
| AG12 | PB125D | 4 | |
| AN7 | PB127A | 4 | |
| AN6 | PB127B | 4 | |
| AK9 | PB127C | 4 | |
| AK8 | PB127D | 4 | |
| AP5 | PB129A | 4 | |
| AP4 | PB129B | 4 | |
| AD11 | PB129C | 4 | |
| AE11 | PB129D | 4 | |
| AM7 | PB131A | 4 | |
| AM6 | PB131B | 4 | |
| AJ9 | PB131C | 4 | |
| AJ8 | PB131D | 4 | |
| AP3 | PB133A | 4 | |
| AN3 | PB133B | 4 | |
| AF10 | PB133C | 4 | |
| AE10 | PB133D | 4 | |
| AL7 | PB135A | 4 | |
| AL6 | PB135B | 4 | |
| AK7 | PB135C | 4 | |
| AK6 | PB135D | 4 | |
| AN5 | PB138A | 4 | |
| AN4 | PB138B | 4 | |
| AH9 | PB138C | 4 | VREF1_4 |
| AH8 | PB138D | 4 | |
| AM3 | PB139A | 4 | LRC_DLLT_IN_C/LRC_DLLT_FB_D |
| AM4 | PB139B | 4 | LRC_DLLC_IN_C/LRC_DLLC_FB_D |
| AG9 | PB139C | 4 | |
| AG8 | PB139D | 4 | |
| AN2 | PB141A | 4 | LRC_PLLT_IN_A/LRC_PLLT_FB_B |
| AM2 | PB141B | 4 | LRC_PLCC_IN_A/LRC_PLCC_FB_B |
| AJ6 | PB141C | 4 | LRC_DLLT_IN_D/LRC_DLLT_FB_C |
| AH6 | PB141D | 4 | LRC_DLLC_IN_D/LRC_DLLC_FB_C |
| AF7 | PROBE_VCC | - | |
| AF8 | PROBE_GND | - | |
| AG7 | PR117D | 3 | LRC_PLCC_IN_B/LRC_PLCC_FB_A |
| AG6 | PR117C | 3 | LRC_PLLT_IN_B/LRC_PLLT_FB_A |

LFSC/M115 Logic Signal Connections: 1152 fcBGA^{1, 2}

| Ball Number | LFSC/M115 | | |
|-------------|---------------|------------|-----------------------------|
| | Ball Function | VCCIO Bank | Dual Function |
| AL4 | PR117B | 3 | LRC_DLLC_IN_F/LRC_DLLC_FB_E |
| AL3 | PR117A | 3 | LRC_DLLT_IN_F/LRC_DLLT_FB_E |
| AD10 | PR116D | 3 | |
| AD9 | PR116C | 3 | |
| AH4 | PR116B | 3 | |
| AJ4 | PR116A | 3 | |
| AK5 | PR115D | 3 | LRC_DLLC_IN_E/LRC_DLLC_FB_F |
| AJ5 | PR115C | 3 | LRC_DLLT_IN_E/LRC_DLLT_FB_F |
| AM1 | PR115B | 3 | |
| AL1 | PR115A | 3 | |
| AH5 | PR112D | 3 | |
| AG5 | PR112C | 3 | |
| AL2 | PR112B | 3 | |
| AK2 | PR112A | 3 | |
| AB9 | PR109D | 3 | |
| AC9 | PR109C | 3 | |
| AH1 | PR109B | 3 | |
| AG1 | PR109A | 3 | |
| AE8 | PR107D | 3 | VREF2_3 |
| AD8 | PR107C | 3 | |
| AJ3 | PR107B | 3 | |
| AH3 | PR107A | 3 | |
| AD7 | PR104D | 3 | |
| AC7 | PR104C | 3 | |
| AJ2 | PR104B | 3 | |
| AH2 | PR104A | 3 | |
| AF6 | PR103D | 3 | |
| AF5 | PR103C | 3 | |
| AF4 | PR103B | 3 | |
| AE4 | PR103A | 3 | |
| AD6 | PR99D | 3 | |
| AC6 | PR99C | 3 | |
| AG2 | PR99B | 3 | |
| AF2 | PR99A | 3 | |
| AC8 | PR98D | 3 | |
| AB8 | PR98C | 3 | |
| AK1 | PR98B | 3 | |
| AJ1 | PR98A | 3 | |
| AB10 | PR96D | 3 | |
| AA10 | PR96C | 3 | |
| AF3 | PR96B | 3 | |
| AE3 | PR96A | 3 | |
| AE5 | PR94D | 3 | |

LFSC/M115 Logic Signal Connections: 1152 fcBGA^{1, 2}

| Ball Number | LFSC/M115 | | |
|-------------|---------------|------------|---------------|
| | Ball Function | VCCIO Bank | Dual Function |
| AD5 | PR94C | 3 | |
| AE2 | PR94B | 3 | |
| AD2 | PR94A | 3 | |
| AC5 | PR92D | 3 | |
| AB5 | PR92C | 3 | |
| AF1 | PR92B | 3 | |
| AE1 | PR92A | 3 | |
| AA11 | PR91D | 3 | |
| Y11 | PR91C | 3 | |
| AC4 | PR91B | 3 | |
| AB4 | PR91A | 3 | |
| AA8 | PR90D | 3 | DIFFR_3 |
| AA9 | PR90C | 3 | |
| AC3 | PR90B | 3 | |
| AB3 | PR90A | 3 | |
| AA7 | PR79D | 3 | |
| Y7 | PR79C | 3 | |
| AA2 | PR79B | 3 | |
| Y2 | PR79A | 3 | |
| AA6 | PR77D | 3 | |
| Y6 | PR77C | 3 | |
| Y4 | PR77B | 3 | |
| W4 | PR77A | 3 | |
| W11 | PR74D | 3 | |
| V11 | PR74C | 3 | |
| W2 | PR74B | 3 | |
| V2 | PR74A | 3 | |
| W9 | PR71D | 3 | |
| V9 | PR71C | 3 | |
| V1 | PR71B | 3 | |
| U1 | PR71A | 3 | |
| W10 | PR70D | 3 | |
| V10 | PR70C | 3 | |
| U2 | PR70B | 3 | |
| T2 | PR70A | 3 | |
| Y8 | PR69D | 3 | |
| W8 | PR69C | 3 | VREF1_3 |
| W5 | PR69B | 3 | |
| V5 | PR69A | 3 | |
| V7 | PR66D | 3 | PCLKC3_2 |
| U7 | PR66C | 3 | PCLKT3_2 |
| T1 | PR66B | 3 | |
| R1 | PR66A | 3 | |

LFSC/M115 Logic Signal Connections: 1152 fcBGA^{1,2}

| Ball Number | LFSC/M115 | | |
|-------------|---------------|------------|---------------|
| | Ball Function | VCCIO Bank | Dual Function |
| V8 | PR65D | 3 | PCLKC3_3 |
| U8 | PR65C | 3 | PCLKT3_3 |
| U5 | PR65B | 3 | |
| T5 | PR65A | 3 | |
| V6 | PR64D | 3 | PCLKC3_1 |
| U6 | PR64C | 3 | PCLKT3_1 |
| T4 | PR64B | 3 | PCLKC3_0 |
| T3 | PR64A | 3 | PCLKT3_0 |
| U9 | PR62D | 2 | PCLKC2_2 |
| T9 | PR62C | 2 | PCLKT2_2 |
| R2 | PR62B | 2 | PCLKC2_0 |
| P2 | PR62A | 2 | PCLKT2_0 |
| T11 | PR61D | 2 | PCLKC2_3 |
| U11 | PR61C | 2 | PCLKT2_3 |
| R4 | PR61B | 2 | PCLKC2_1 |
| R3 | PR61A | 2 | PCLKT2_1 |
| T8 | PR60D | 2 | |
| R8 | PR60C | 2 | |
| P1 | PR60B | 2 | |
| N1 | PR60A | 2 | |
| R6 | PR57D | 2 | |
| P6 | PR57C | 2 | |
| M1 | PR57B | 2 | |
| L1 | PR57A | 2 | |
| T10 | PR56D | 2 | |
| U10 | PR56C | 2 | |
| N2 | PR56B | 2 | |
| M2 | PR56A | 2 | |
| R11 | PR51D | 2 | |
| P11 | PR51C | 2 | |
| N4 | PR51B | 2 | |
| M4 | PR51A | 2 | |
| N5 | PR49D | 2 | |
| M5 | PR49C | 2 | |
| L2 | PR49B | 2 | |
| K2 | PR49A | 2 | |
| P8 | PR47D | 2 | |
| N8 | PR47C | 2 | |
| J2 | PR47B | 2 | |
| H2 | PR47A | 2 | |
| M6 | PR45D | 2 | |
| L6 | PR45C | 2 | |
| K3 | PR45B | 2 | |

LFSC/M115 Logic Signal Connections: 1152 fcBGA^{1,2}

| Ball Number | LFSC/M115 | | |
|-------------|---------------|------------|-----------------------------|
| | Ball Function | VCCIO Bank | Dual Function |
| J3 | PR45A | 2 | |
| M8 | PR43D | 2 | DIFFR_2 |
| L8 | PR43C | 2 | VREF1_2 |
| K4 | PR43B | 2 | |
| J4 | PR43A | 2 | |
| M7 | PR26D | 2 | |
| L7 | PR26C | 2 | |
| J5 | PR26B | 2 | |
| H5 | PR26A | 2 | |
| N9 | PR19D | 2 | |
| P9 | PR19C | 2 | |
| G3 | PR19B | 2 | |
| F3 | PR19A | 2 | |
| J6 | PR18D | 2 | VREF2_2 |
| H6 | PR18C | 2 | |
| E2 | PR18B | 2 | URC_DLLC_IN_D/URC_DLLC_FB_C |
| D2 | PR18A | 2 | URC_DLLT_IN_D/URC_DLLT_FB_C |
| P10 | PR17D | 2 | URC_PLLC_IN_B/URC_PLLC_FB_A |
| N10 | PR17C | 2 | URC_PLLT_IN_B/URC_PLLT_FB_A |
| G4 | PR17B | 2 | URC_DLLC_IN_C/URC_DLLC_FB_D |
| F4 | PR17A | 2 | URC_DLLT_IN_C/URC_DLLT_FB_D |
| J7 | PR15D | 2 | |
| H7 | PR15C | 2 | |
| G5 | PR15B | 2 | URC_PLLC_IN_A/URC_PLLC_FB_B |
| F5 | PR15A | 2 | URC_PLLT_IN_A/URC_PLLT_FB_B |
| C2 | VCCJ | - | |
| M9 | TDO | - | TDO |
| L9 | TMS | - | |
| D1 | TCK | - | |
| C1 | TDI | - | |
| J8 | PROGRAMN | 1 | |
| K8 | MPIIRQN | 1 | CFGIRQN/MPI_IRQ_N |
| B2 | CCLK | 1 | |
| H9 | RESP_URC | - | |
| H10 | VCC12 | - | |
| H8 | A_REFCLKN_R | - | |
| G8 | A_REFCLKP_R | - | |
| C3 | VCC12 | - | |
| D3 | A_VDDIB0_R | - | |
| A3 | A_HDINP0_R | - | PCS 3E0 CH 0 IN P |
| B3 | A_HDINN0_R | - | PCS 3E0 CH 0 IN N |
| E5 | VCC12 | - | |
| A4 | A_HDOUTP0_R | - | PCS 3E0 CH 0 OUT P |

LFSC/M115 Logic Signal Connections: 1152 fcBGA^{1,2}

| Ball Number | LFSC/M115 | | |
|-------------|---------------|------------|--------------------|
| | Ball Function | VCCIO Bank | Dual Function |
| F6 | A_VDDOB0_R | - | |
| B4 | A_HDOUTN0_R | - | PCS 3E0 CH 0 OUT N |
| F7 | A_VDDOB1_R | - | |
| B5 | A_HDOUTN1_R | - | PCS 3E0 CH 1 OUT N |
| E6 | VCC12 | - | |
| A5 | A_HDOUTP1_R | - | PCS 3E0 CH 1 OUT P |
| B6 | A_HDINN1_R | - | PCS 3E0 CH 1 IN N |
| A6 | A_HDINP1_R | - | PCS 3E0 CH 1 IN P |
| C6 | VCC12 | - | |
| D4 | A_VDDIB1_R | - | |
| C7 | VCC12 | - | |
| D5 | A_VDDIB2_R | - | |
| A7 | A_HDINP2_R | - | PCS 3E0 CH 2 IN P |
| B7 | A_HDINN2_R | - | PCS 3E0 CH 2 IN N |
| E7 | VCC12 | - | |
| A8 | A_HDOUTP2_R | - | PCS 3E0 CH 2 OUT P |
| F8 | A_VDDOB2_R | - | |
| B8 | A_HDOUTN2_R | - | PCS 3E0 CH 2 OUT N |
| F9 | A_VDDOB3_R | - | |
| B9 | A_HDOUTN3_R | - | PCS 3E0 CH 3 OUT N |
| E8 | VCC12 | - | |
| A9 | A_HDOUTP3_R | - | PCS 3E0 CH 3 OUT P |
| B10 | A_HDINN3_R | - | PCS 3E0 CH 3 IN N |
| A10 | A_HDINP3_R | - | PCS 3E0 CH 3 IN P |
| C10 | VCC12 | - | |
| D6 | A_VDDIB3_R | - | |
| G10 | VCC12 | - | |
| D7 | B_VDDIB0_R | - | |
| E10 | B_HDINP0_R | - | PCS 3E1 CH 0 IN P |
| F10 | B_HDINN0_R | - | PCS 3E1 CH 0 IN N |
| K10 | VCC12 | - | |
| A11 | B_HDOUTP0_R | - | PCS 3E1 CH 0 OUT P |
| D10 | B_VDDOB0_R | - | |
| B11 | B_HDOUTN0_R | - | PCS 3E1 CH 0 OUT N |
| D11 | B_VDDOB1_R | - | |
| B12 | B_HDOUTN1_R | - | PCS 3E1 CH 1 OUT N |
| L10 | VCC12 | - | |
| A12 | B_HDOUTP1_R | - | PCS 3E1 CH 1 OUT P |
| F11 | B_HDINN1_R | - | PCS 3E1 CH 1 IN N |
| E11 | B_HDINP1_R | - | PCS 3E1 CH 1 IN P |
| G11 | VCC12 | - | |
| D8 | B_VDDIB1_R | - | |
| G12 | VCC12 | - | |

LFSC/M115 Logic Signal Connections: 1152 fcBGA^{1,2}

| Ball Number | LFSC/M115 | | |
|-------------|---------------|------------|-------------------------|
| | Ball Function | VCCIO Bank | Dual Function |
| D9 | B_VDDIB2_R | - | |
| E12 | B_HDINP2_R | - | PCS 3E1 CH 2 IN P |
| F12 | B_HDINN2_R | - | PCS 3E1 CH 2 IN N |
| K11 | VCC12 | - | |
| A13 | B_HDOUTP2_R | - | PCS 3E1 CH 2 OUT P |
| D12 | B_VDDOB2_R | - | |
| B13 | B_HDOUTN2_R | - | PCS 3E1 CH 2 OUT N |
| D13 | B_VDDOB3_R | - | |
| B14 | B_HDOUTN3_R | - | PCS 3E1 CH 3 OUT N |
| L11 | VCC12 | - | |
| A14 | B_HDOUTP3_R | - | PCS 3E1 CH 3 OUT P |
| F13 | B_HDINN3_R | - | PCS 3E1 CH 3 IN N |
| E13 | B_HDINP3_R | - | PCS 3E1 CH 3 IN P |
| G13 | VCC12 | - | |
| E9 | B_VDDIB3_R | - | |
| L13 | VCC12 | - | |
| J11 | B_REFCLKN_R | - | |
| H11 | B_REFCLKP_R | - | |
| M15 | PT93D | 1 | HDC/SI |
| M16 | PT93C | 1 | LDCN/SCS |
| F14 | PT93B | 1 | D8/MPI_DATA8 |
| G14 | PT93A | 1 | CS1/MPI_CS1 |
| L15 | PT90D | 1 | D9/MPI_DATA9 |
| L14 | PT90C | 1 | D10/MPI_DATA10 |
| D14 | PT90B | 1 | CS0N/MPI_CS0N |
| E14 | PT90A | 1 | RDN/MPI_STRB_N |
| L16 | PT89D | 1 | WRN/MPI_WR_N |
| K16 | PT89C | 1 | D7/MPI_DATA7 |
| G15 | PT89B | 1 | D6/MPI_DATA6 |
| F15 | PT89A | 1 | D5/MPI_DATA5 |
| K14 | PT87D | 1 | D4/MPI_DATA4 |
| K13 | PT87C | 1 | D3/MPI_DATA3 |
| B15 | PT87B | 1 | D2/MPI_DATA2 |
| A15 | PT87A | 1 | D1/MPI_DATA1 |
| J14 | PT86D | 1 | D16/PCLKC1_3/MPI_DATA16 |
| H14 | PT86C | 1 | D17/PCLKT1_3/MPI_DATA17 |
| A16 | PT86B | 1 | D0/MPI_DATA0 |
| B16 | PT86A | 1 | QOUT/CEON |
| J13 | PT83D | 1 | VREF2_1 |
| H13 | PT83C | 1 | D18/MPI_DATA18 |
| D15 | PT83B | 1 | DOUT |
| E15 | PT83A | 1 | MCA_DONE_IN |
| J16 | PT81D | 1 | D19/PCLKC1_2/MPI_DATA19 |

LFSC/M115 Logic Signal Connections: 1152 fcBGA^{1, 2}

| Ball Number | LFSC/M115 | | |
|-------------|---------------|------------|-------------------------|
| | Ball Function | VCCIO Bank | Dual Function |
| J17 | PT81C | 1 | D20/PCLKT1_2/MPI_DATA20 |
| D16 | PT81B | 1 | MCA_CLK_P1_OUT |
| E16 | PT81A | 1 | MCA_CLK_P1_IN |
| H15 | PT78D | 1 | D21/PCLKC1_1/MPI_DATA21 |
| H16 | PT78C | 1 | D22/PCLKT1_1/MPI_DATA22 |
| C15 | PT78B | 1 | MCA_CLK_P2_OUT |
| C16 | PT78A | 1 | MCA_CLK_P2_IN |
| L17 | PT75D | 1 | MCA_DONE_OUT |
| K17 | PT75C | 1 | BUSYN/RCLK/SCK |
| E17 | PT75B | 1 | DP0/MPI_PAR0 |
| F17 | PT75A | 1 | MPI_TA |
| G17 | PT73D | 1 | D23/MPI_DATA23 |
| H17 | PT73C | 1 | DP2/MPI_PAR2 |
| A17 | PT73B | 1 | PCLKC1_0 |
| B17 | PT73A | 1 | PCLKT1_0/MPI_CLK |
| G18 | PT71D | 1 | DP3/PCLKC1_4/MPI_PAR3 |
| H18 | PT71C | 1 | D24/PCLKT1_4/MPI_DATA24 |
| E18 | PT71B | 1 | MPI_RETRY |
| F18 | PT71A | 1 | A0/MPI_ADDR14 |
| J18 | PT69D | 1 | A1/MPI_ADDR15 |
| J19 | PT69C | 1 | A2/MPI_ADDR16 |
| C20 | PT69B | 1 | A3/MPI_ADDR17 |
| C19 | PT69A | 1 | A4/MPI_ADDR18 |
| K18 | PT66D | 1 | D25/PCLKC1_5/MPI_DATA25 |
| L18 | PT66C | 1 | D26/PCLKT1_5/MPI_DATA26 |
| D19 | PT66B | 1 | A5/MPI_ADDR19 |
| E19 | PT66A | 1 | A6/MPI_ADDR20 |
| H19 | PT63D | 1 | D27/MPI_DATA27 |
| H20 | PT63C | 1 | VREF1_1 |
| A18 | PT63B | 1 | A7/MPI_ADDR21 |
| B18 | PT63A | 1 | A8/MPI_ADDR22 |
| H21 | PT61D | 1 | D28/PCLKC1_6/MPI_DATA28 |
| J21 | PT61C | 1 | D29/PCLKT1_6/MPI_DATA29 |
| A19 | PT61B | 1 | A9/MPI_ADDR23 |
| B19 | PT61A | 1 | A10/MPI_ADDR24 |
| H22 | PT58D | 1 | D30/PCLKC1_7/MPI_DATA30 |
| J22 | PT58C | 1 | D31/PCLKT1_7/MPI_DATA31 |
| F20 | PT58B | 1 | A11/MPI_ADDR25 |
| G20 | PT58A | 1 | A12/MPI_ADDR26 |
| K21 | PT57D | 1 | D11/MPI_DATA11 |
| K22 | PT57C | 1 | D12/MPI_DATA12 |
| A20 | PT57B | 1 | A13/MPI_ADDR27 |
| B20 | PT57A | 1 | A14/MPI_ADDR28 |

LFSC/M115 Logic Signal Connections: 1152 fcBGA^{1, 2}

| Ball Number | LFSC/M115 | | |
|-------------|---------------|------------|--------------------|
| | Ball Function | VCCIO Bank | Dual Function |
| L21 | PT55D | 1 | A16/MPI_ADDR30 |
| L20 | PT55C | 1 | D13/MPI_DATA13 |
| D20 | PT55B | 1 | A15/MPI_ADDR29 |
| E20 | PT55A | 1 | A17/MPI_ADDR31 |
| L19 | PT54D | 1 | A19/MPI_TSIZ1 |
| K19 | PT54C | 1 | A20/MPI_BDIP |
| D21 | PT54B | 1 | A18/MPI_TSIZ0 |
| E21 | PT54A | 1 | MPI_TEA |
| M20 | PT51D | 1 | D14/MPI_DATA14 |
| M19 | PT51C | 1 | DP1/MPI_PAR1 |
| F21 | PT51B | 1 | A21/MPI_BURST |
| G21 | PT51A | 1 | D15/MPI_DATA15 |
| H24 | B_REFCLKP_L | - | |
| J24 | B_REFCLKN_L | - | |
| L22 | VCC12 | - | |
| E26 | B_VDDIB3_L | - | |
| G22 | VCC12 | - | |
| E22 | B_HDINP3_L | - | PCS 361 CH 3 IN P |
| F22 | B_HDINN3_L | - | PCS 361 CH 3 IN N |
| A21 | B_HDOU3P3_L | - | PCS 361 CH 3 OUT P |
| L24 | VCC12 | - | |
| B21 | B_HDOU3N3_L | - | PCS 361 CH 3 OUT N |
| D22 | B_VDDOB3_L | - | |
| B22 | B_HDOU2N2_L | - | PCS 361 CH 2 OUT N |
| D23 | B_VDDOB2_L | - | |
| A22 | B_HDOU2P2_L | - | PCS 361 CH 2 OUT P |
| K24 | VCC12 | - | |
| F23 | B_HDINN2_L | - | PCS 361 CH 2 IN N |
| E23 | B_HDINP2_L | - | PCS 361 CH 2 IN P |
| D26 | B_VDDIB2_L | - | |
| G23 | VCC12 | - | |
| D27 | B_VDDIB1_L | - | |
| G24 | VCC12 | - | |
| E24 | B_HDINP1_L | - | PCS 361 CH 1 IN P |
| F24 | B_HDINN1_L | - | PCS 361 CH 1 IN N |
| A23 | B_HDOU1P1_L | - | PCS 361 CH 1 OUT P |
| L25 | VCC12 | - | |
| B23 | B_HDOU1N1_L | - | PCS 361 CH 1 OUT N |
| D24 | B_VDDOB1_L | - | |
| B24 | B_HDOU0N0_L | - | PCS 361 CH 0 OUT N |
| D25 | B_VDDOB0_L | - | |
| A24 | B_HDOU0P0_L | - | PCS 361 CH 0 OUT P |
| K25 | VCC12 | - | |

LFSC/M115 Logic Signal Connections: 1152 fcBGA^{1, 2}

| Ball Number | LFSC/M115 | | |
|-------------|---------------|------------|--------------------|
| | Ball Function | VCCIO Bank | Dual Function |
| F25 | B_HDINN0_L | - | PCS 361 CH 0 IN N |
| E25 | B_HDINP0_L | - | PCS 361 CH 0 IN P |
| D28 | B_VDDIB0_L | - | |
| G25 | VCC12 | - | |
| D29 | A_VDDIB3_L | - | |
| C25 | VCC12 | - | |
| A25 | A_HDINP3_L | - | PCS 360 CH 3 IN P |
| B25 | A_HDINN3_L | - | PCS 360 CH 3 IN N |
| A26 | A_HDOU3P3_L | - | PCS 360 CH 3 OUT P |
| E27 | VCC12 | - | |
| B26 | A_HDOU3N3_L | - | PCS 360 CH 3 OUT N |
| F26 | A_VDDOB3_L | - | |
| B27 | A_HDOU2N2_L | - | PCS 360 CH 2 OUT N |
| F27 | A_VDDOB2_L | - | |
| A27 | A_HDOU2P2_L | - | PCS 360 CH 2 OUT P |
| E28 | VCC12 | - | |
| B28 | A_HDINN2_L | - | PCS 360 CH 2 IN N |
| A28 | A_HDINP2_L | - | PCS 360 CH 2 IN P |
| D30 | A_VDDIB2_L | - | |
| C28 | VCC12 | - | |
| D31 | A_VDDIB1_L | - | |
| C29 | VCC12 | - | |
| A29 | A_HDINP1_L | - | PCS 360 CH 1 IN P |
| B29 | A_HDINN1_L | - | PCS 360 CH 1 IN N |
| A30 | A_HDOU1P1_L | - | PCS 360 CH 1 OUT P |
| E29 | VCC12 | - | |
| B30 | A_HDOU1N1_L | - | PCS 360 CH 1 OUT N |
| F28 | A_VDDOB1_L | - | |
| B31 | A_HDOU0N0_L | - | PCS 360 CH 0 OUT N |
| F29 | A_VDDOB0_L | - | |
| A31 | A_HDOU0P0_L | - | PCS 360 CH 0 OUT P |
| E30 | VCC12 | - | |
| B32 | A_HDINN0_L | - | PCS 360 CH 0 IN N |
| A32 | A_HDINP0_L | - | PCS 360 CH 0 IN P |
| D32 | A_VDDIB0_L | - | |
| C32 | VCC12 | - | |
| E34 | PL30A | 7 | |
| F34 | PL30B | 7 | |
| F33 | PL34A | 7 | |
| G33 | PL34B | 7 | |
| K30 | PL38A | 7 | |
| L30 | PL38B | 7 | |
| G34 | PL40A | 7 | |

LFSC/M115 Logic Signal Connections: 1152 fcBGA^{1, 2}

| Ball Number | LFSC/M115 | | |
|-------------|---------------|------------|---------------|
| | Ball Function | VCCIO Bank | Dual Function |
| H34 | PL40B | 7 | |
| M32 | PL53A | 7 | |
| N32 | PL53B | 7 | |
| P28 | PL53C | 7 | |
| R28 | PL53D | 7 | |
| J34 | PL55A | 7 | |
| K34 | PL55B | 7 | |
| P30 | PL55C | 7 | |
| R30 | PL55D | 7 | |
| W34 | PL73A | 6 | |
| Y34 | PL73B | 6 | |
| W32 | PL75A | 6 | |
| Y32 | PL75B | 6 | |
| AA34 | PL78A | 6 | |
| AB34 | PL78B | 6 | |
| AC34 | PL81A | 6 | |
| AD34 | PL81B | 6 | |
| Y30 | PL82A | 6 | |
| AA30 | PL82B | 6 | |
| AB33 | PL83A | 6 | |
| AC33 | PL83B | 6 | |
| AC2 | PR83B | 3 | |
| AB2 | PR83A | 3 | |
| AA5 | PR82B | 3 | |
| Y5 | PR82A | 3 | |
| AD1 | PR81B | 3 | |
| AC1 | PR81A | 3 | |
| AB1 | PR78B | 3 | |
| AA1 | PR78A | 3 | |
| Y3 | PR75B | 3 | |
| W3 | PR75A | 3 | |
| Y1 | PR73B | 3 | |
| W1 | PR73A | 3 | |
| R5 | PR55D | 2 | |
| P5 | PR55C | 2 | |
| K1 | PR55B | 2 | |
| J1 | PR55A | 2 | |
| R7 | PR53D | 2 | |
| P7 | PR53C | 2 | |
| N3 | PR53B | 2 | |
| M3 | PR53A | 2 | |
| H1 | PR40B | 2 | |
| G1 | PR40A | 2 | |

LFSC/M115 Logic Signal Connections: 1152 fcBGA^{1, 2}

| Ball Number | LFSC/M115 | | |
|-------------|---------------|------------|---------------|
| | Ball Function | VCCIO Bank | Dual Function |
| L5 | PR38B | 2 | |
| K5 | PR38A | 2 | |
| G2 | PR34B | 2 | |
| F2 | PR34A | 2 | |
| F1 | PR30B | 2 | |
| E1 | PR30A | 2 | |
| A2 | GND | - | |
| A33 | GND | - | |
| AA15 | GND | - | |
| AA20 | GND | - | |
| AA32 | GND | - | |
| AA4 | GND | - | |
| AB28 | GND | - | |
| AB6 | GND | - | |
| AC11 | GND | - | |
| AC18 | GND | - | |
| AC25 | GND | - | |
| AD23 | GND | - | |
| AD3 | GND | - | |
| AD31 | GND | - | |
| AE12 | GND | - | |
| AE15 | GND | - | |
| AE29 | GND | - | |
| AE7 | GND | - | |
| AE9 | GND | - | |
| AF20 | GND | - | |
| AF26 | GND | - | |
| AG32 | GND | - | |
| AG4 | GND | - | |
| AH13 | GND | - | |
| AH19 | GND | - | |
| AH25 | GND | - | |
| AH7 | GND | - | |
| AJ10 | GND | - | |
| AJ16 | GND | - | |
| AJ22 | GND | - | |
| AJ28 | GND | - | |
| AK3 | GND | - | |
| AK31 | GND | - | |
| AL11 | GND | - | |
| AL17 | GND | - | |
| AL21 | GND | - | |
| AL27 | GND | - | |

LFSC/M115 Logic Signal Connections: 1152 fcBGA^{1, 2}

| Ball Number | LFSC/M115 | | |
|-------------|---------------|------------|---------------|
| | Ball Function | VCCIO Bank | Dual Function |
| AL5 | GND | - | |
| AM14 | GND | - | |
| AM18 | GND | - | |
| AM24 | GND | - | |
| AM30 | GND | - | |
| AM8 | GND | - | |
| AN1 | GND | - | |
| AN34 | GND | - | |
| AP2 | GND | - | |
| AP33 | GND | - | |
| B1 | GND | - | |
| B34 | GND | - | |
| C11 | GND | - | |
| C12 | GND | - | |
| C13 | GND | - | |
| C14 | GND | - | |
| C17 | GND | - | |
| C21 | GND | - | |
| C22 | GND | - | |
| C23 | GND | - | |
| C24 | GND | - | |
| C26 | GND | - | |
| C27 | GND | - | |
| C30 | GND | - | |
| C31 | GND | - | |
| C4 | GND | - | |
| C5 | GND | - | |
| C8 | GND | - | |
| C9 | GND | - | |
| D18 | GND | - | |
| E32 | GND | - | |
| E4 | GND | - | |
| F19 | GND | - | |
| G16 | GND | - | |
| G29 | GND | - | |
| G7 | GND | - | |
| H3 | GND | - | |
| H31 | GND | - | |
| J10 | GND | - | |
| J15 | GND | - | |
| J26 | GND | - | |
| K20 | GND | - | |
| K23 | GND | - | |

LFSC/M115 Logic Signal Connections: 1152 fcBGA^{1, 2}

| Ball Number | LFSC/M115 | | |
|-------------|---------------|------------|---------------|
| | Ball Function | VCCIO Bank | Dual Function |
| K26 | GND | - | |
| K28 | GND | - | |
| K6 | GND | - | |
| K9 | GND | - | |
| L12 | GND | - | |
| L32 | GND | - | |
| L4 | GND | - | |
| M10 | GND | - | |
| M17 | GND | - | |
| M24 | GND | - | |
| N29 | GND | - | |
| N7 | GND | - | |
| P15 | GND | - | |
| P20 | GND | - | |
| P3 | GND | - | |
| P31 | GND | - | |
| R10 | GND | - | |
| R14 | GND | - | |
| R16 | GND | - | |
| R19 | GND | - | |
| R21 | GND | - | |
| R26 | GND | - | |
| T15 | GND | - | |
| T17 | GND | - | |
| T18 | GND | - | |
| T20 | GND | - | |
| T28 | GND | - | |
| T6 | GND | - | |
| U16 | GND | - | |
| U19 | GND | - | |
| U23 | GND | - | |
| U32 | GND | - | |
| U4 | GND | - | |
| V12 | GND | - | |
| V16 | GND | - | |
| V19 | GND | - | |
| V3 | GND | - | |
| V31 | GND | - | |
| W15 | GND | - | |
| W17 | GND | - | |
| W18 | GND | - | |
| W20 | GND | - | |
| W29 | GND | - | |

LFSC/M115 Logic Signal Connections: 1152 fcBGA^{1, 2}

| Ball Number | LFSC/M115 | | |
|-------------|---------------|------------|---------------|
| | Ball Function | VCCIO Bank | Dual Function |
| W7 | GND | - | |
| AA14 | VCC | - | |
| AA16 | VCC | - | |
| AA17 | VCC | - | |
| AA18 | VCC | - | |
| AA19 | VCC | - | |
| AA21 | VCC | - | |
| AB13 | VCC | - | |
| AB22 | VCC | - | |
| N13 | VCC | - | |
| N22 | VCC | - | |
| P14 | VCC | - | |
| P16 | VCC | - | |
| P17 | VCC | - | |
| P18 | VCC | - | |
| P19 | VCC | - | |
| P21 | VCC | - | |
| R15 | VCC | - | |
| R17 | VCC | - | |
| R18 | VCC | - | |
| R20 | VCC | - | |
| T14 | VCC | - | |
| T16 | VCC | - | |
| T19 | VCC | - | |
| T21 | VCC | - | |
| U14 | VCC | - | |
| U15 | VCC | - | |
| U17 | VCC | - | |
| U18 | VCC | - | |
| U20 | VCC | - | |
| U21 | VCC | - | |
| V14 | VCC | - | |
| V15 | VCC | - | |
| V17 | VCC | - | |
| V18 | VCC | - | |
| V20 | VCC | - | |
| V21 | VCC | - | |
| W14 | VCC | - | |
| W16 | VCC | - | |
| W19 | VCC | - | |
| W21 | VCC | - | |
| Y15 | VCC | - | |
| Y17 | VCC | - | |

LFSC/M115 Logic Signal Connections: 1152 fcBGA^{1, 2}

| Ball Number | LFSC/M115 | | |
|-------------|---------------|------------|---------------|
| | Ball Function | VCCIO Bank | Dual Function |
| Y18 | VCC | - | |
| Y20 | VCC | - | |
| AB15 | VCC12 | - | |
| AB20 | VCC12 | - | |
| N15 | VCC12 | - | |
| N20 | VCC12 | - | |
| R13 | VCC12 | - | |
| R22 | VCC12 | - | |
| Y13 | VCC12 | - | |
| Y22 | VCC12 | - | |
| AA12 | VCCAUX | - | |
| AA23 | VCCAUX | - | |
| AB12 | VCCAUX | - | |
| AB16 | VCCAUX | - | |
| AB17 | VCCAUX | - | |
| AB18 | VCCAUX | - | |
| AB19 | VCCAUX | - | |
| AB23 | VCCAUX | - | |
| AC12 | VCCAUX | - | |
| AC13 | VCCAUX | - | |
| Y19 | GND | - | |
| AC14 | VCCAUX | - | |
| AC17 | VCCAUX | - | |
| AC21 | VCCAUX | - | |
| AC22 | VCCAUX | - | |
| AC23 | VCCAUX | - | |
| M13 | VCCAUX | - | |
| M14 | VCCAUX | - | |
| M18 | VCCAUX | - | |
| M21 | VCCAUX | - | |
| M22 | VCCAUX | - | |
| N12 | VCCAUX | - | |
| N16 | VCCAUX | - | |
| N17 | VCCAUX | - | |
| N18 | VCCAUX | - | |
| N19 | VCCAUX | - | |
| N23 | VCCAUX | - | |
| P12 | VCCAUX | - | |
| P23 | VCCAUX | - | |
| T13 | VCCAUX | - | |
| T22 | VCCAUX | - | |
| U12 | VCCAUX | - | |
| U13 | VCCAUX | - | |

LFSC/M115 Logic Signal Connections: 1152 fcBGA^{1, 2}

| Ball Number | LFSC/M115 | | |
|-------------|---------------|------------|---------------|
| | Ball Function | VCCIO Bank | Dual Function |
| U22 | VCCAUX | - | |
| V13 | VCCAUX | - | |
| V22 | VCCAUX | - | |
| V23 | VCCAUX | - | |
| W13 | VCCAUX | - | |
| W22 | VCCAUX | - | |
| Y21 | GND | - | |
| Y25 | GND | - | |
| C18 | VCCIO1 | - | |
| D17 | VCCIO1 | - | |
| F16 | VCCIO1 | - | |
| G19 | VCCIO1 | - | |
| J20 | VCCIO1 | - | |
| K12 | VCCIO1 | - | |
| K15 | VCCIO1 | - | |
| L23 | VCCIO1 | - | |
| Y9 | GND | - | |
| J9 | VCCIO1 | - | |
| E3 | VCCIO2 | - | |
| G6 | VCCIO2 | - | |
| H4 | VCCIO2 | - | |
| K7 | VCCIO2 | - | |
| L3 | VCCIO2 | - | |
| M11 | VCCIO2 | - | |
| N6 | VCCIO2 | - | |
| P4 | VCCIO2 | - | |
| R9 | VCCIO2 | - | |
| AA3 | VCCIO3 | - | |
| AB7 | VCCIO3 | - | |
| AC10 | VCCIO3 | - | |
| AD4 | VCCIO3 | - | |
| AE6 | VCCIO3 | - | |
| AG3 | VCCIO3 | - | |
| AK4 | VCCIO3 | - | |
| T7 | VCCIO3 | - | |
| U3 | VCCIO3 | - | |
| V4 | VCCIO3 | - | |
| W6 | VCCIO3 | - | |
| Y10 | VCCIO3 | - | |
| AD12 | VCCIO4 | - | |
| AF15 | VCCIO4 | - | |
| AF9 | VCCIO4 | - | |
| AH10 | VCCIO4 | - | |

LFSC/M115 Logic Signal Connections: 1152 fcBGA^{1, 2}

| Ball Number | LFSC/M115 | | |
|-------------|---------------|------------|---------------|
| | Ball Function | VCCIO Bank | Dual Function |
| AH16 | VCCIO4 | - | |
| AJ13 | VCCIO4 | - | |
| AJ7 | VCCIO4 | - | |
| AL14 | VCCIO4 | - | |
| AL8 | VCCIO4 | - | |
| AM11 | VCCIO4 | - | |
| AM17 | VCCIO4 | - | |
| AM5 | VCCIO4 | - | |
| AE20 | VCCIO5 | - | |
| AE23 | VCCIO5 | - | |
| AE26 | VCCIO5 | - | |
| AH22 | VCCIO5 | - | |
| AH28 | VCCIO5 | - | |
| AJ19 | VCCIO5 | - | |
| AJ25 | VCCIO5 | - | |
| AL18 | VCCIO5 | - | |
| AL24 | VCCIO5 | - | |
| AL30 | VCCIO5 | - | |
| AM21 | VCCIO5 | - | |
| AM27 | VCCIO5 | - | |
| AA31 | VCCIO6 | - | |
| AB29 | VCCIO6 | - | |
| AC24 | VCCIO6 | - | |
| AD32 | VCCIO6 | - | |
| AE28 | VCCIO6 | - | |
| AG31 | VCCIO6 | - | |
| AK32 | VCCIO6 | - | |
| T29 | VCCIO6 | - | |
| U31 | VCCIO6 | - | |
| V32 | VCCIO6 | - | |
| W28 | VCCIO6 | - | |
| Y26 | VCCIO6 | - | |
| E31 | VCCIO7 | - | |
| G28 | VCCIO7 | - | |
| H32 | VCCIO7 | - | |
| K29 | VCCIO7 | - | |
| L31 | VCCIO7 | - | |
| M25 | VCCIO7 | - | |
| N28 | VCCIO7 | - | |
| P32 | VCCIO7 | - | |
| R25 | VCCIO7 | - | |
| J25 | VCCIO1 | - | |
| N11 | VTT_2 | 2 | |

LFSC/M115 Logic Signal Connections: 1152 fcBGA^{1, 2}

| Ball Number | LFSC/M115 | | |
|-------------|---------------|------------|---------------|
| | Ball Function | VCCIO Bank | Dual Function |
| R12 | VTT_2 | 2 | |
| T12 | VTT_2 | 2 | |
| AB11 | VTT_3 | 3 | |
| W12 | VTT_3 | 3 | |
| Y12 | VTT_3 | 3 | |
| AC15 | VTT_4 | 4 | |
| AC16 | VTT_4 | 4 | |
| AD13 | VTT_4 | 4 | |
| AC19 | VTT_5 | 5 | |
| AC20 | VTT_5 | 5 | |
| AD22 | VTT_5 | 5 | |
| AB24 | VTT_6 | 6 | |
| W23 | VTT_6 | 6 | |
| Y23 | VTT_6 | 6 | |
| N24 | VTT_7 | 7 | |
| R23 | VTT_7 | 7 | |
| T23 | VTT_7 | 7 | |
| M12 | VDDAX25_R | - | |
| M23 | VDDAX25_L | - | |
| Y16 | GND | - | |
| Y14 | GND | - | |
| N21 | VCC12 | - | |
| P22 | VCC12 | - | |
| AA22 | VCC12 | - | |
| AB21 | VCC12 | - | |
| AB14 | VCC12 | - | |
| AA13 | VCC12 | - | |
| P13 | VCC12 | - | |
| N14 | VCC12 | - | |
| G26 | NC | - | |
| G9 | NC | - | |
| J12 | NC | - | |
| H12 | NC | - | |
| H23 | NC | - | |
| J23 | NC | - | |

1. Differential pair grouping within a PCI is A (True) and B (complement) and C (True) and D (Complement).
 2. The LatticeSC/M115 in an 1152-pin package supports a 32-bit MPI interface.

LFSC/M80, LFSC/M115 Logic Signal Connections: 1704 fcBGA^{1,2}

| Ball Number | LFSC/M80 | | | LFSC/M115 | | |
|-------------|---------------|------------|-----------------------------|---------------|------------|-----------------------------|
| | Ball Function | VCCIO Bank | Dual Function | Ball Function | VCCIO Bank | Dual Function |
| G34 | A_REFCLKP_L | - | | A_REFCLKP_L | - | |
| H34 | A_REFCLKN_L | - | | A_REFCLKN_L | - | |
| N30 | VCC12 | - | | VCC12 | - | |
| H33 | RESP_ULC | - | | RESP_ULC | - | |
| P25 | RESETN | 1 | | RESETN | 1 | |
| P26 | TSALLN | 1 | | TSALLN | 1 | |
| P31 | DONE | 1 | | DONE | 1 | |
| P23 | INITN | 1 | | INITN | 1 | |
| P30 | M0 | 1 | | M0 | 1 | |
| P22 | M1 | 1 | | M1 | 1 | |
| P24 | M2 | 1 | | M2 | 1 | |
| R22 | M3 | 1 | | M3 | 1 | |
| J37 | PL16A | 7 | ULC_PLLT_IN_A/ULC_PLLT_FB_B | PL15A | 7 | ULC_PLLT_IN_A/ULC_PLLT_FB_B |
| J38 | PL16B | 7 | ULC_PLLC_IN_A/ULC_PLLC_FB_B | PL15B | 7 | ULC_PLLC_IN_A/ULC_PLLC_FB_B |
| P32 | PL16C | 7 | | PL15C | 7 | |
| R32 | PL16D | 7 | | PL15D | 7 | |
| G40 | PL17A | 7 | ULC_DLLT_IN_C/ULC_DLLT_FB_D | PL17A | 7 | ULC_DLLT_IN_C/ULC_DLLT_FB_D |
| H40 | PL17B | 7 | ULC_DLLC_IN_C/ULC_DLLC_FB_D | PL17B | 7 | ULC_DLLC_IN_C/ULC_DLLC_FB_D |
| N33 | PL17C | 7 | ULC_PLLT_IN_B/ULC_PLLT_FB_A | PL17C | 7 | ULC_PLLT_IN_B/ULC_PLLT_FB_A |
| P33 | PL17D | 7 | ULC_PLLC_IN_B/ULC_PLLC_FB_A | PL17D | 7 | ULC_PLLC_IN_B/ULC_PLLC_FB_A |
| G41 | PL18A | 7 | ULC_DLLT_IN_D/ULC_DLLT_FB_C | PL18A | 7 | ULC_DLLT_IN_D/ULC_DLLT_FB_C |
| H41 | PL18B | 7 | ULC_DLLC_IN_D/ULC_DLLC_FB_C | PL18B | 7 | ULC_DLLC_IN_D/ULC_DLLC_FB_C |
| T29 | PL18C | 7 | | PL18C | 7 | |
| U29 | PL18D | 7 | VREF2_7 | PL18D | 7 | VREF2_7 |
| G42 | PL20A | 7 | | PL19A | 7 | |
| H42 | PL20B | 7 | | PL19B | 7 | |
| M34 | PL20C | 7 | | PL19C | 7 | |
| M35 | PL20D | 7 | | PL19D | 7 | |
| K37 | PL21A | 7 | | PL26A | 7 | |
| L37 | PL21B | 7 | | PL26B | 7 | |
| N34 | PL21C | 7 | | PL26C | 7 | |
| P34 | PL21D | 7 | | PL26D | 7 | |
| K38 | PL22A | 7 | | PL30A | 7 | |
| L38 | PL22B | 7 | | PL30B | 7 | |
| T33 | PL22C | 7 | | PL30C | 7 | |
| R33 | PL22D | 7 | | PL30D | 7 | |
| J41 | PL24A | 7 | | PL34A | 7 | |
| K41 | PL24B | 7 | | PL34B | 7 | |
| U31 | PL24C | 7 | | PL34C | 7 | |
| V31 | PL24D | 7 | | PL34D | 7 | |
| K42 | PL25A | 7 | | PL38A | 7 | |
| J42 | PL25B | 7 | | PL38B | 7 | |
| J36 | PL25C | 7 | | PL38C | 7 | |
| K36 | PL25D | 7 | | PL38D | 7 | |
| N38 | PL26A | 7 | | PL40A | 7 | |

LFSC/M80, LFSC/M115 Logic Signal Connections: 1704 fcBGA^{1,2} (Cont.)

| Ball Number | LFSC/M80 | | | LFSC/M115 | | |
|-------------|---------------|------------|---------------|---------------|------------|---------------|
| | Ball Function | VCCIO Bank | Dual Function | Ball Function | VCCIO Bank | Dual Function |
| P38 | PL26B | 7 | | PL40B | 7 | |
| N35 | PL26C | 7 | | PL40C | 7 | |
| N36 | PL26D | 7 | | PL40D | 7 | |
| N39 | PL29A | 7 | | PL43A | 7 | |
| P39 | PL29B | 7 | | PL43B | 7 | |
| R34 | PL29C | 7 | VREF1_7 | PL43C | 7 | VREF1_7 |
| T34 | PL29D | 7 | DIFFR_7 | PL43D | 7 | DIFFR_7 |
| L41 | PL30A | 7 | | PL44A | 7 | |
| M41 | PL30B | 7 | | PL44B | 7 | |
| W29 | PL30C | 7 | | PL44C | 7 | |
| Y29 | PL30D | 7 | | PL44D | 7 | |
| L42 | PL31A | 7 | | PL45A | 7 | |
| M42 | PL31B | 7 | | PL45B | 7 | |
| U32 | PL31C | 7 | | PL45C | 7 | |
| V32 | PL31D | 7 | | PL45D | 7 | |
| R37 | PL33A | 7 | | PL47A | 7 | |
| T37 | PL33B | 7 | | PL47B | 7 | |
| M36 | PL33C | 7 | | PL47C | 7 | |
| M37 | PL33D | 7 | | PL47D | 7 | |
| P40 | PL34A | 7 | | PL48A | 7 | |
| N40 | PL34B | 7 | | PL48B | 7 | |
| R35 | PL34C | 7 | | PL48C | 7 | |
| T35 | PL34D | 7 | | PL48D | 7 | |
| N41 | PL35A | 7 | | PL49A | 7 | |
| P41 | PL35B | 7 | | PL49B | 7 | |
| V33 | PL35C | 7 | | PL49C | 7 | |
| U33 | PL35D | 7 | | PL49D | 7 | |
| R38 | PL37A | 7 | | PL51A | 7 | |
| T38 | PL37B | 7 | | PL51B | 7 | |
| R36 | PL37C | 7 | | PL51C | 7 | |
| T36 | PL37D | 7 | | PL51D | 7 | |
| N42 | PL38A | 7 | | PL52A | 7 | |
| P42 | PL38B | 7 | | PL52B | 7 | |
| Y31 | PL38C | 7 | | PL52C | 7 | |
| AA31 | PL38D | 7 | | PL52D | 7 | |
| U37 | PL39A | 7 | | PL53A | 7 | |
| V37 | PL39B | 7 | | PL53B | 7 | |
| U34 | PL39C | 7 | | PL53C | 7 | |
| V34 | PL39D | 7 | | PL53D | 7 | |
| U39 | PL41A | 7 | | PL55A | 7 | |
| T39 | PL41B | 7 | | PL55B | 7 | |
| V35 | PL41C | 7 | | PL55C | 7 | |
| W35 | PL41D | 7 | | PL55D | 7 | |
| R41 | PL42A | 7 | | PL56A | 7 | |
| T41 | PL42B | 7 | | PL56B | 7 | |

LFSC/M80, LFSC/M115 Logic Signal Connections: 1704 fcBGA^{1,2} (Cont.)

| Ball Number | LFSC/M80 | | | LFSC/M115 | | |
|-------------|---------------|------------|---------------|---------------|------------|---------------|
| | Ball Function | VCCIO Bank | Dual Function | Ball Function | VCCIO Bank | Dual Function |
| W33 | PL42C | 7 | | PL56C | 7 | |
| Y33 | PL42D | 7 | | PL56D | 7 | |
| W37 | PL43A | 7 | | PL57A | 7 | |
| Y37 | PL43B | 7 | | PL57B | 7 | |
| Y32 | PL43C | 7 | | PL57C | 7 | |
| AA32 | PL43D | 7 | | PL57D | 7 | |
| U38 | PL46A | 7 | | PL60A | 7 | |
| V38 | PL46B | 7 | | PL60B | 7 | |
| W34 | PL46C | 7 | | PL60C | 7 | |
| Y34 | PL46D | 7 | | PL60D | 7 | |
| T40 | PL47A | 7 | PCLKT7_1 | PL61A | 7 | PCLKT7_1 |
| U40 | PL47B | 7 | PCLKC7_1 | PL61B | 7 | PCLKC7_1 |
| AA33 | PL47C | 7 | PCLKT7_3 | PL61C | 7 | PCLKT7_3 |
| AB33 | PL47D | 7 | PCLKC7_3 | PL61D | 7 | PCLKC7_3 |
| R42 | PL48A | 7 | PCLKT7_0 | PL62A | 7 | PCLKT7_0 |
| T42 | PL48B | 7 | PCLKC7_0 | PL62B | 7 | PCLKC7_0 |
| AA34 | PL48C | 7 | PCLKT7_2 | PL62C | 7 | PCLKT7_2 |
| AB34 | PL48D | 7 | PCLKC7_2 | PL62D | 7 | PCLKC7_2 |
| U41 | PL50A | 6 | PCLKT6_0 | PL64A | 6 | PCLKT6_0 |
| V41 | PL50B | 6 | PCLKC6_0 | PL64B | 6 | PCLKC6_0 |
| V36 | PL50C | 6 | PCLKT6_1 | PL64C | 6 | PCLKT6_1 |
| W36 | PL50D | 6 | PCLKC6_1 | PL64D | 6 | PCLKC6_1 |
| U42 | PL51A | 6 | | PL65A | 6 | |
| V42 | PL51B | 6 | | PL65B | 6 | |
| AB31 | PL51C | 6 | PCLKT6_3 | PL65C | 6 | PCLKT6_3 |
| AC31 | PL51D | 6 | PCLKC6_3 | PL65D | 6 | PCLKC6_3 |
| W38 | PL52A | 6 | | PL66A | 6 | |
| Y38 | PL52B | 6 | | PL66B | 6 | |
| AA35 | PL52C | 6 | PCLKT6_2 | PL66C | 6 | PCLKT6_2 |
| AB35 | PL52D | 6 | PCLKC6_2 | PL66D | 6 | PCLKC6_2 |
| W39 | PL55A | 6 | | PL69A | 6 | |
| Y39 | PL55B | 6 | | PL69B | 6 | |
| AB32 | PL55C | 6 | VREF1_6 | PL69C | 6 | VREF1_6 |
| AC32 | PL55D | 6 | | PL69D | 6 | |
| W40 | PL56A | 6 | | PL70A | 6 | |
| Y40 | PL56B | 6 | | PL70B | 6 | |
| AA36 | PL56C | 6 | | PL70C | 6 | |
| AB36 | PL56D | 6 | | PL70D | 6 | |
| W41 | PL57A | 6 | | PL71A | 6 | |
| Y41 | PL57B | 6 | | PL71B | 6 | |
| AA37 | PL57C | 6 | | PL71C | 6 | |
| AB37 | PL57D | 6 | | PL71D | 6 | |
| W42 | PL59A | 6 | | PL73A | 6 | |
| Y42 | PL59B | 6 | | PL73B | 6 | |
| AC33 | PL59C | 6 | | PL73C | 6 | |

LFSC/M80, LFSC/M115 Logic Signal Connections: 1704 fcBGA^{1,2} (Cont.)

| Ball Number | LFSC/M80 | | | LFSC/M115 | | |
|-------------|---------------|------------|---------------|---------------|------------|---------------|
| | Ball Function | VCCIO Bank | Dual Function | Ball Function | VCCIO Bank | Dual Function |
| AD33 | PL59D | 6 | | PL73D | 6 | |
| AA38 | PL60A | 6 | | PL74A | 6 | |
| AB38 | PL60B | 6 | | PL74B | 6 | |
| AC29 | PL60C | 6 | | PL74C | 6 | |
| AD29 | PL60D | 6 | | PL74D | 6 | |
| AA41 | PL61A | 6 | | PL75A | 6 | |
| AB41 | PL61B | 6 | | PL75B | 6 | |
| AC34 | PL61C | 6 | | PL75C | 6 | |
| AD34 | PL61D | 6 | | PL75D | 6 | |
| AA42 | PL63A | 6 | | PL77A | 6 | |
| AB42 | PL63B | 6 | | PL77B | 6 | |
| AC37 | PL63C | 6 | | PL77C | 6 | |
| AD37 | PL63D | 6 | | PL77D | 6 | |
| AC38 | PL64A | 6 | | PL78A | 6 | |
| AD38 | PL64B | 6 | | PL78B | 6 | |
| AD36 | PL64C | 6 | | PL78C | 6 | |
| AE36 | PL64D | 6 | | PL78D | 6 | |
| AC39 | PL65A | 6 | | PL79A | 6 | |
| AD39 | PL65B | 6 | | PL79B | 6 | |
| AD35 | PL65C | 6 | | PL79C | 6 | |
| AE35 | PL65D | 6 | | PL79D | 6 | |
| AC40 | PL67A | 6 | | PL81A | 6 | |
| AD40 | PL67B | 6 | | PL81B | 6 | |
| AE37 | PL67C | 6 | | PL81C | 6 | |
| AF37 | PL67D | 6 | | PL81D | 6 | |
| AC41 | PL68A | 6 | | PL82A | 6 | |
| AD41 | PL68B | 6 | | PL82B | 6 | |
| AE34 | PL68C | 6 | | PL82C | 6 | |
| AF34 | PL68D | 6 | | PL82D | 6 | |
| AC42 | PL69A | 6 | | PL83A | 6 | |
| AD42 | PL69B | 6 | | PL83B | 6 | |
| AE33 | PL69C | 6 | | PL83C | 6 | |
| AF33 | PL69D | 6 | | PL83D | 6 | |
| AE38 | PL72A | 6 | | PL86A | 6 | |
| AF38 | PL72B | 6 | | PL86B | 6 | |
| AE32 | PL72C | 6 | | PL86C | 6 | |
| AF32 | PL72D | 6 | | PL86D | 6 | |
| AE41 | PL73A | 6 | | PL87A | 6 | |
| AF41 | PL73B | 6 | | PL87B | 6 | |
| AE31 | PL73C | 6 | | PL87C | 6 | |
| AF31 | PL73D | 6 | | PL87D | 6 | |
| AE42 | PL74A | 6 | | PL88A | 6 | |
| AF42 | PL74B | 6 | | PL88B | 6 | |
| AG37 | PL74C | 6 | | PL88C | 6 | |
| AH37 | PL74D | 6 | | PL88D | 6 | |

LFSC/M80, LFSC/M115 Logic Signal Connections: 1704 fcBGA^{1,2} (Cont.)

| Ball Number | LFSC/M80 | | | LFSC/M115 | | |
|-------------|---------------|------------|---------------|---------------|------------|---------------|
| | Ball Function | VCCIO Bank | Dual Function | Ball Function | VCCIO Bank | Dual Function |
| AF40 | PL76A | 6 | | PL90A | 6 | |
| AG40 | PL76B | 6 | | PL90B | 6 | |
| AG36 | PL76C | 6 | | PL90C | 6 | |
| AH36 | PL76D | 6 | DIFFR_6 | PL90D | 6 | DIFFR_6 |
| AF39 | PL77A | 6 | | PL91A | 6 | |
| AG39 | PL77B | 6 | | PL91B | 6 | |
| AF29 | PL77C | 6 | | PL91C | 6 | |
| AG29 | PL77D | 6 | | PL91D | 6 | |
| AH42 | PL78A | 6 | | PL92A | 6 | |
| AG42 | PL78B | 6 | | PL92B | 6 | |
| AG35 | PL78C | 6 | | PL92C | 6 | |
| AH35 | PL78D | 6 | | PL92D | 6 | |
| AG41 | PL80A | 6 | | PL94A | 6 | |
| AH41 | PL80B | 6 | | PL94B | 6 | |
| AG34 | PL80C | 6 | | PL94C | 6 | |
| AH34 | PL80D | 6 | | PL94D | 6 | |
| AJ42 | PL81A | 6 | | PL96A | 6 | |
| AK42 | PL81B | 6 | | PL96B | 6 | |
| AG33 | PL81C | 6 | | PL96C | 6 | |
| AH33 | PL81D | 6 | | PL96D | 6 | |
| AJ41 | PL82A | 6 | | PL98A | 6 | |
| AK41 | PL82B | 6 | | PL98B | 6 | |
| AJ37 | PL82C | 6 | | PL98C | 6 | |
| AK37 | PL82D | 6 | | PL98D | 6 | |
| AJ40 | PL84A | 6 | | PL99A | 6 | |
| AK40 | PL84B | 6 | | PL99B | 6 | |
| AJ34 | PL84C | 6 | | PL99C | 6 | |
| AK34 | PL84D | 6 | | PL99D | 6 | |
| AJ38 | PL85A | 6 | | PL103A | 6 | |
| AK38 | PL85B | 6 | | PL103B | 6 | |
| AH32 | PL85C | 6 | | PL103C | 6 | |
| AJ32 | PL85D | 6 | | PL103D | 6 | |
| AL42 | PL86A | 6 | | PL104A | 6 | |
| AM42 | PL86B | 6 | | PL104B | 6 | |
| AK36 | PL86C | 6 | | PL104C | 6 | |
| AL36 | PL86D | 6 | | PL104D | 6 | |
| AL38 | PL89A | 6 | | PL107A | 6 | |
| AM38 | PL89B | 6 | | PL107B | 6 | |
| AJ33 | PL89C | 6 | | PL107C | 6 | |
| AK33 | PL89D | 6 | VREF2_6 | PL107D | 6 | VREF2_6 |
| AN42 | PL90A | 6 | | PL109A | 6 | |
| AP42 | PL90B | 6 | | PL109B | 6 | |
| AH31 | PL90C | 6 | | PL109C | 6 | |
| AJ31 | PL90D | 6 | | PL109D | 6 | |
| AN41 | PL91A | 6 | | PL112A | 6 | |

LFSC/M80, LFSC/M115 Logic Signal Connections: 1704 fcBGA^{1,2} (Cont.)

| Ball Number | LFSC/M80 | | | LFSC/M115 | | |
|-------------|---------------|------------|-----------------------------|---------------|------------|-----------------------------|
| | Ball Function | VCCIO Bank | Dual Function | Ball Function | VCCIO Bank | Dual Function |
| AP41 | PL91B | 6 | | PL112B | 6 | |
| AK35 | PL91C | 6 | | PL112C | 6 | |
| AL35 | PL91D | 6 | | PL112D | 6 | |
| AN38 | PL93A | 6 | | PL115A | 6 | |
| AP38 | PL93B | 6 | | PL115B | 6 | |
| AL37 | PL93C | 6 | LLC_DLLT_IN_E/LLC_DLLT_FB_F | PL115C | 6 | LLC_DLLT_IN_E/LLC_DLLT_FB_F |
| AM37 | PL93D | 6 | LLC_DLLC_IN_E/LLC_DLLC_FB_F | PL115D | 6 | LLC_DLLC_IN_E/LLC_DLLC_FB_F |
| AR41 | PL94A | 6 | | PL116A | 6 | |
| AT41 | PL94B | 6 | | PL116B | 6 | |
| AN37 | PL94C | 6 | | PL116C | 6 | |
| AP37 | PL94D | 6 | | PL116D | 6 | |
| AR39 | PL95A | 6 | LLC_DLLT_IN_F/LLC_DLLT_FB_E | PL117A | 6 | LLC_DLLT_IN_F/LLC_DLLT_FB_E |
| AR40 | PL95B | 6 | LLC_DLLC_IN_F/LLC_DLLC_FB_E | PL117B | 6 | LLC_DLLC_IN_F/LLC_DLLC_FB_E |
| AN36 | PL95C | 6 | LLC_PLLT_IN_B/LLC_PLLT_FB_A | PL117C | 6 | LLC_PLLT_IN_B/LLC_PLLT_FB_A |
| AP36 | PL95D | 6 | LLC_PLLC_IN_B/LLC_PLLC_FB_A | PL117D | 6 | LLC_PLLC_IN_B/LLC_PLLC_FB_A |
| AT40 | XRES | - | | XRES | - | |
| AU41 | TEMP | 6 | | TEMP | 6 | |
| AU42 | PB3A | 5 | LLC_PLLT_IN_A/LLC_PLLT_FB_B | PB3A | 5 | LLC_PLLT_IN_A/LLC_PLLT_FB_B |
| AV42 | PB3B | 5 | LLC_PLLC_IN_A/LLC_PLLC_FB_B | PB3B | 5 | LLC_PLLC_IN_A/LLC_PLLC_FB_B |
| AL33 | PB3C | 5 | LLC_DLLT_IN_C/LLC_DLLT_FB_D | PB3C | 5 | LLC_DLLT_IN_C/LLC_DLLT_FB_D |
| AL34 | PB3D | 5 | LLC_DLLC_IN_C/LLC_DLLC_FB_D | PB3D | 5 | LLC_DLLC_IN_C/LLC_DLLC_FB_D |
| AU38 | PB4A | 5 | LLC_DLLT_IN_D/LLC_DLLT_FB_C | PB4A | 5 | LLC_DLLT_IN_D/LLC_DLLT_FB_C |
| AV38 | PB4B | 5 | LLC_DLLC_IN_D/LLC_DLLC_FB_C | PB4B | 5 | LLC_DLLC_IN_D/LLC_DLLC_FB_C |
| AM34 | PB4C | 5 | | PB4C | 5 | |
| AM33 | PB4D | 5 | | PB4D | 5 | |
| AV41 | PB5A | 5 | | PB5A | 5 | |
| AW41 | PB5B | 5 | | PB5B | 5 | |
| AK30 | PB5C | 5 | | PB5C | 5 | |
| AK29 | PB5D | 5 | VREF1_5 | PB5D | 5 | VREF1_5 |
| AW42 | PB7A | 5 | | PB7A | 5 | |
| AY42 | PB7B | 5 | | PB7B | 5 | |
| AR37 | PB7C | 5 | | PB7C | 5 | |
| AR38 | PB7D | 5 | | PB7D | 5 | |
| AV40 | PB8A | 5 | | PB9A | 5 | |
| AV39 | PB8B | 5 | | PB9B | 5 | |
| AN35 | PB8C | 5 | | PB9C | 5 | |
| AN34 | PB8D | 5 | | PB9D | 5 | |
| AW40 | PB9A | 5 | | PB11A | 5 | |
| AY40 | PB9B | 5 | | PB11B | 5 | |
| AP34 | PB9C | 5 | | PB11C | 5 | |
| AP35 | PB9D | 5 | | PB11D | 5 | |
| AW39 | PB11A | 5 | | PB12A | 5 | |
| AW38 | PB11B | 5 | | PB12B | 5 | |
| AL32 | PB11C | 5 | | PB12C | 5 | |
| AL31 | PB11D | 5 | | PB12D | 5 | |

LFSC/M80, LFSC/M115 Logic Signal Connections: 1704 fcBGA^{1,2} (Cont.)

| Ball Number | LFSC/M80 | | | LFSC/M115 | | |
|-------------|---------------|------------|---------------|---------------|------------|---------------|
| | Ball Function | VCCIO Bank | Dual Function | Ball Function | VCCIO Bank | Dual Function |
| AY41 | PB12A | 5 | | PB13A | 5 | |
| BA41 | PB12B | 5 | | PB13B | 5 | |
| AT39 | PB12C | 5 | | PB13C | 5 | |
| AT38 | PB12D | 5 | | PB13D | 5 | |
| AV37 | PB13A | 5 | | PB15A | 5 | |
| AV36 | PB13B | 5 | | PB15B | 5 | |
| AM31 | PB13C | 5 | | PB15C | 5 | |
| AM32 | PB13D | 5 | | PB15D | 5 | |
| BA40 | PB15A | 5 | | PB16A | 5 | |
| BB40 | PB15B | 5 | | PB16B | 5 | |
| AM29 | PB15C | 5 | | PB16C | 5 | |
| AL29 | PB15D | 5 | | PB16D | 5 | |
| AY39 | PB16A | 5 | | PB17A | 5 | |
| AY38 | PB16B | 5 | | PB17B | 5 | |
| AN33 | PB16C | 5 | | PB17C | 5 | |
| AN32 | PB16D | 5 | | PB17D | 5 | |
| BA39 | PB17A | 5 | | PB19A | 5 | |
| BA38 | PB17B | 5 | | PB19B | 5 | |
| AT37 | PB17C | 5 | | PB19C | 5 | |
| AT36 | PB17D | 5 | | PB19D | 5 | |
| AW36 | PB19A | 5 | | PB20A | 5 | |
| AW35 | PB19B | 5 | | PB20B | 5 | |
| AM28 | PB19C | 5 | | PB20C | 5 | |
| AL28 | PB19D | 5 | | PB20D | 5 | |
| BB38 | PB20A | 5 | | PB21A | 5 | |
| BB39 | PB20B | 5 | | PB21B | 5 | |
| AR34 | PB20C | 5 | | PB21C | 5 | |
| AR33 | PB20D | 5 | | PB21D | 5 | |
| AV35 | PB21A | 5 | | PB23A | 5 | |
| AV34 | PB21B | 5 | | PB23B | 5 | |
| AT33 | PB21C | 5 | | PB23C | 5 | |
| AT34 | PB21D | 5 | | PB23D | 5 | |
| BA37 | PB23A | 5 | | PB25A | 5 | |
| BA36 | PB23B | 5 | | PB25B | 5 | |
| AP33 | PB23C | 5 | | PB25C | 5 | |
| AP32 | PB23D | 5 | | PB25D | 5 | |
| AY36 | PB24A | 5 | | PB26A | 5 | |
| AY35 | PB24B | 5 | | PB26B | 5 | |
| AN31 | PB24C | 5 | | PB26C | 5 | |
| AN30 | PB24D | 5 | | PB26D | 5 | |
| BB37 | PB25A | 5 | | PB27A | 5 | |
| BB36 | PB25B | 5 | | PB27B | 5 | |
| AP31 | PB25C | 5 | | PB27C | 5 | |
| AP30 | PB25D | 5 | | PB27D | 5 | |
| AV33 | PB27A | 5 | | PB29A | 5 | |

LFSC/M80, LFSC/M115 Logic Signal Connections: 1704 fcBGA^{1,2} (Cont.)

| Ball Number | LFSC/M80 | | | LFSC/M115 | | |
|-------------|---------------|------------|---------------|---------------|------------|---------------|
| | Ball Function | VCCIO Bank | Dual Function | Ball Function | VCCIO Bank | Dual Function |
| AV32 | PB27B | 5 | | PB29B | 5 | |
| AU36 | PB27C | 5 | | PB29C | 5 | |
| AU37 | PB27D | 5 | | PB29D | 5 | |
| BA35 | PB28A | 5 | | PB30A | 5 | |
| BA34 | PB28B | 5 | | PB30B | 5 | |
| AJ26 | PB28C | 5 | | PB30C | 5 | |
| AJ27 | PB28D | 5 | | PB30D | 5 | |
| AW33 | PB29A | 5 | | PB31A | 5 | |
| AW32 | PB29B | 5 | | PB31B | 5 | |
| AU35 | PB29C | 5 | | PB31C | 5 | |
| AU34 | PB29D | 5 | | PB31D | 5 | |
| BB35 | PB31A | 5 | | PB33A | 5 | |
| BB34 | PB31B | 5 | | PB33B | 5 | |
| AN29 | PB31C | 5 | | PB33C | 5 | |
| AP29 | PB31D | 5 | | PB33D | 5 | |
| AY33 | PB32A | 5 | | PB34A | 5 | |
| AY32 | PB32B | 5 | | PB34B | 5 | |
| AR31 | PB32C | 5 | | PB34C | 5 | |
| AR30 | PB32D | 5 | | PB34D | 5 | |
| AV31 | PB33A | 5 | | PB35A | 5 | |
| AV30 | PB33B | 5 | | PB35B | 5 | |
| AN28 | PB33C | 5 | | PB35C | 5 | |
| AP28 | PB33D | 5 | | PB35D | 5 | |
| BA33 | PB35A | 5 | | PB37A | 5 | |
| BA32 | PB35B | 5 | | PB37B | 5 | |
| AT30 | PB35C | 5 | | PB37C | 5 | |
| AT31 | PB35D | 5 | | PB37D | 5 | |
| BB33 | PB36A | 5 | | PB38A | 5 | |
| BB32 | PB36B | 5 | | PB38B | 5 | |
| AM26 | PB36C | 5 | | PB38C | 5 | |
| AL26 | PB36D | 5 | | PB38D | 5 | |
| AW30 | PB37A | 5 | | PB39A | 5 | |
| AW29 | PB37B | 5 | | PB39B | 5 | |
| AP27 | PB37C | 5 | | PB39C | 5 | |
| AN27 | PB37D | 5 | | PB39D | 5 | |
| BA31 | PB39A | 5 | | PB41A | 5 | |
| BA30 | PB39B | 5 | | PB41B | 5 | |
| AU32 | PB39C | 5 | | PB41C | 5 | |
| AU33 | PB39D | 5 | | PB41D | 5 | |
| BB31 | PB40A | 5 | | PB42A | 5 | |
| BB30 | PB40B | 5 | | PB42B | 5 | |
| AR28 | PB40C | 5 | | PB42C | 5 | |
| AR27 | PB40D | 5 | | PB42D | 5 | |
| AV29 | PB41A | 5 | | PB43A | 5 | |
| AV28 | PB41B | 5 | | PB43B | 5 | |

LFSC/M80, LFSC/M115 Logic Signal Connections: 1704 fcBGA^{1,2} (Cont.)

| Ball Number | LFSC/M80 | | | LFSC/M115 | | |
|-------------|---------------|------------|---------------|---------------|------------|---------------|
| | Ball Function | VCCIO Bank | Dual Function | Ball Function | VCCIO Bank | Dual Function |
| AP26 | PB41C | 5 | | PB43C | 5 | |
| AN26 | PB41D | 5 | | PB43D | 5 | |
| AY30 | PB43A | 5 | | PB45A | 5 | |
| AY29 | PB43B | 5 | | PB45B | 5 | |
| AU30 | PB43C | 5 | | PB45C | 5 | |
| AU31 | PB43D | 5 | | PB45D | 5 | |
| AV27 | PB44A | 5 | | PB46A | 5 | |
| AV26 | PB44B | 5 | | PB46B | 5 | |
| AT28 | PB44C | 5 | | PB46C | 5 | |
| AT27 | PB44D | 5 | | PB46D | 5 | |
| BA29 | PB45A | 5 | | PB47A | 5 | |
| BA28 | PB45B | 5 | | PB47B | 5 | |
| AL25 | PB45C | 5 | | PB47C | 5 | |
| AM25 | PB45D | 5 | | PB47D | 5 | |
| BB29 | PB47A | 5 | | PB49A | 5 | |
| BB28 | PB47B | 5 | | PB49B | 5 | |
| AN25 | PB47C | 5 | | PB49C | 5 | |
| AP25 | PB47D | 5 | | PB49D | 5 | |
| AY27 | PB48A | 5 | PCLKT5_3 | PB50A | 5 | PCLKT5_3 |
| AY26 | PB48B | 5 | PCLKC5_3 | PB50B | 5 | PCLKC5_3 |
| AT25 | PB48C | 5 | PCLKT5_4 | PB50C | 5 | PCLKT5_4 |
| AT24 | PB48D | 5 | PCLKC5_4 | PB50D | 5 | PCLKC5_4 |
| AW27 | PB49A | 5 | PCLKT5_5 | PB51A | 5 | PCLKT5_5 |
| AW26 | PB49B | 5 | PCLKC5_5 | PB51B | 5 | PCLKC5_5 |
| AU29 | PB49C | 5 | | PB51C | 5 | |
| AU28 | PB49D | 5 | | PB51D | 5 | |
| BB27 | PB51A | 5 | PCLKT5_0 | PB53A | 5 | PCLKT5_0 |
| BB26 | PB51B | 5 | PCLKC5_0 | PB53B | 5 | PCLKC5_0 |
| AR25 | PB51C | 5 | | PB53C | 5 | |
| AR24 | PB51D | 5 | VREF2_5 | PB53D | 5 | VREF2_5 |
| BA27 | PB52A | 5 | PCLKT5_1 | PB54A | 5 | PCLKT5_1 |
| BA26 | PB52B | 5 | PCLKC5_1 | PB54B | 5 | PCLKC5_1 |
| AP24 | PB52C | 5 | PCLKT5_6 | PB54C | 5 | PCLKT5_6 |
| AN24 | PB52D | 5 | PCLKC5_6 | PB54D | 5 | PCLKC5_6 |
| AV25 | PB53A | 5 | PCLKT5_2 | PB55A | 5 | PCLKT5_2 |
| AV24 | PB53B | 5 | PCLKC5_2 | PB55B | 5 | PCLKC5_2 |
| AU27 | PB53C | 5 | PCLKT5_7 | PB55C | 5 | PCLKT5_7 |
| AU26 | PB53D | 5 | PCLKC5_7 | PB55D | 5 | PCLKC5_7 |
| BA25 | PB55A | 5 | | PB57A | 5 | |
| BA24 | PB55B | 5 | | PB57B | 5 | |
| AU24 | PB55C | 5 | | PB57C | 5 | |
| AU25 | PB55D | 5 | | PB57D | 5 | |
| BB24 | PB56A | 5 | | PB58A | 5 | |
| BB25 | PB56B | 5 | | PB58B | 5 | |
| AM23 | PB56C | 5 | | PB58C | 5 | |

LFSC/M80, LFSC/M115 Logic Signal Connections: 1704 fcBGA^{1,2} (Cont.)

| Ball Number | LFSC/M80 | | | LFSC/M115 | | |
|-------------|---------------|------------|---------------|---------------|------------|---------------|
| | Ball Function | VCCIO Bank | Dual Function | Ball Function | VCCIO Bank | Dual Function |
| AL23 | PB56D | 5 | | PB58D | 5 | |
| AW24 | PB57A | 5 | | PB61A | 5 | |
| AW23 | PB57B | 5 | | PB61B | 5 | |
| AN23 | PB57C | 5 | | PB61C | 5 | |
| AP23 | PB57D | 5 | | PB61D | 5 | |
| AY23 | PB59A | 5 | | PB63A | 5 | |
| AY24 | PB59B | 5 | | PB63B | 5 | |
| AU23 | PB59C | 5 | | PB63C | 5 | |
| AU22 | PB59D | 5 | | PB63D | 5 | |
| AV23 | PB60A | 5 | | PB66A | 5 | |
| AV22 | PB60B | 5 | | PB66B | 5 | |
| AM22 | PB60C | 5 | | PB66C | 5 | |
| AL22 | PB60D | 5 | | PB66D | 5 | |
| BA23 | PB61A | 5 | | PB69A | 5 | |
| BA22 | PB61B | 5 | | PB69B | 5 | |
| AN22 | PB61C | 5 | | PB69C | 5 | |
| AP22 | PB61D | 5 | | PB69D | 5 | |
| BB23 | PB63A | 5 | | PB71A | 5 | |
| BB22 | PB63B | 5 | | PB71B | 5 | |
| AT22 | PB63C | 5 | | PB71C | 5 | |
| AR22 | PB63D | 5 | | PB71D | 5 | |
| BB21 | PB65A | 4 | | PB73A | 4 | |
| BB20 | PB65B | 4 | | PB73B | 4 | |
| AR21 | PB65C | 4 | | PB73C | 4 | |
| AT21 | PB65D | 4 | | PB73D | 4 | |
| BA21 | PB66A | 4 | | PB75A | 4 | |
| BA20 | PB66B | 4 | | PB75B | 4 | |
| AP21 | PB66C | 4 | | PB75C | 4 | |
| AN21 | PB66D | 4 | | PB75D | 4 | |
| AV21 | PB67A | 4 | | PB78A | 4 | |
| AV20 | PB67B | 4 | | PB78B | 4 | |
| AM21 | PB67C | 4 | | PB78C | 4 | |
| AL21 | PB67D | 4 | | PB78D | 4 | |
| AY20 | PB69A | 4 | | PB81A | 4 | |
| AY19 | PB69B | 4 | | PB81B | 4 | |
| AU21 | PB69C | 4 | | PB81C | 4 | |
| AU20 | PB69D | 4 | | PB81D | 4 | |
| AW20 | PB70A | 4 | | PB83A | 4 | |
| AW19 | PB70B | 4 | | PB83B | 4 | |
| AP20 | PB70C | 4 | | PB83C | 4 | |
| AN20 | PB70D | 4 | | PB83D | 4 | |
| BB19 | PB71A | 4 | | PB86A | 4 | |
| BB18 | PB71B | 4 | | PB86B | 4 | |
| AM20 | PB71C | 4 | | PB86C | 4 | |
| AL20 | PB71D | 4 | | PB86D | 4 | |

LFSC/M80, LFSC/M115 Logic Signal Connections: 1704 fcBGA^{1,2} (Cont.)

| Ball Number | LFSC/M80 | | | LFSC/M115 | | |
|-------------|---------------|------------|---------------|---------------|------------|---------------|
| | Ball Function | VCCIO Bank | Dual Function | Ball Function | VCCIO Bank | Dual Function |
| BA19 | PB73A | 4 | | PB87A | 4 | |
| BA18 | PB73B | 4 | | PB87B | 4 | |
| AU19 | PB73C | 4 | | PB87C | 4 | |
| AU18 | PB73D | 4 | | PB87D | 4 | |
| AV19 | PB74A | 4 | PCLKT4_2 | PB89A | 4 | PCLKT4_2 |
| AV18 | PB74B | 4 | PCLKC4_2 | PB89B | 4 | PCLKC4_2 |
| AN19 | PB74C | 4 | PCLKT4_7 | PB89C | 4 | PCLKT4_7 |
| AP19 | PB74D | 4 | PCLKC4_7 | PB89D | 4 | PCLKC4_7 |
| BB17 | PB75A | 4 | PCLKT4_1 | PB90A | 4 | PCLKT4_1 |
| BB16 | PB75B | 4 | PCLKC4_1 | PB90B | 4 | PCLKC4_1 |
| AT19 | PB75C | 4 | PCLKT4_6 | PB90C | 4 | PCLKT4_6 |
| AT18 | PB75D | 4 | PCLKC4_6 | PB90D | 4 | PCLKC4_6 |
| BA17 | PB77A | 4 | PCLKT4_0 | PB91A | 4 | PCLKT4_0 |
| BA16 | PB77B | 4 | PCLKC4_0 | PB91B | 4 | PCLKC4_0 |
| AR19 | PB77C | 4 | VREF2_4 | PB91C | 4 | VREF2_4 |
| AR18 | PB77D | 4 | | PB91D | 4 | |
| AY17 | PB79A | 4 | PCLKT4_5 | PB93A | 4 | PCLKT4_5 |
| AY16 | PB79B | 4 | PCLKC4_5 | PB93B | 4 | PCLKC4_5 |
| AN18 | PB79C | 4 | | PB93C | 4 | |
| AP18 | PB79D | 4 | | PB93D | 4 | |
| AW17 | PB80A | 4 | PCLKT4_3 | PB94A | 4 | PCLKT4_3 |
| AW16 | PB80B | 4 | PCLKC4_3 | PB94B | 4 | PCLKC4_3 |
| AU17 | PB80C | 4 | PCLKT4_4 | PB94C | 4 | PCLKT4_4 |
| AU16 | PB80D | 4 | PCLKC4_4 | PB94D | 4 | PCLKC4_4 |
| AV17 | PB81A | 4 | | PB95A | 4 | |
| AV16 | PB81B | 4 | | PB95B | 4 | |
| AL18 | PB81C | 4 | | PB95C | 4 | |
| AM18 | PB81D | 4 | | PB95D | 4 | |
| BB15 | PB83A | 4 | | PB97A | 4 | |
| BB14 | PB83B | 4 | | PB97B | 4 | |
| AP17 | PB83C | 4 | | PB97C | 4 | |
| AN17 | PB83D | 4 | | PB97D | 4 | |
| BA15 | PB84A | 4 | | PB98A | 4 | |
| BA14 | PB84B | 4 | | PB98B | 4 | |
| AT16 | PB84C | 4 | | PB98C | 4 | |
| AT15 | PB84D | 4 | | PB98D | 4 | |
| AV15 | PB85A | 4 | | PB99A | 4 | |
| AV14 | PB85B | 4 | | PB99B | 4 | |
| AR16 | PB85C | 4 | | PB99C | 4 | |
| AR15 | PB85D | 4 | | PB99D | 4 | |
| AY14 | PB87A | 4 | | PB101A | 4 | |
| AY13 | PB87B | 4 | | PB101B | 4 | |
| AU15 | PB87C | 4 | | PB101C | 4 | |
| AU14 | PB87D | 4 | | PB101D | 4 | |
| BB13 | PB88A | 4 | | PB102A | 4 | |

LFSC/M80, LFSC/M115 Logic Signal Connections: 1704 fcBGA^{1,2} (Cont.)

| Ball Number | LFSC/M80 | | | LFSC/M115 | | |
|-------------|---------------|------------|---------------|---------------|------------|---------------|
| | Ball Function | VCCIO Bank | Dual Function | Ball Function | VCCIO Bank | Dual Function |
| BB12 | PB88B | 4 | | PB102B | 4 | |
| AM17 | PB88C | 4 | | PB102C | 4 | |
| AL17 | PB88D | 4 | | PB102D | 4 | |
| AW14 | PB89A | 4 | | PB103A | 4 | |
| AW13 | PB89B | 4 | | PB103B | 4 | |
| AP16 | PB89C | 4 | | PB103C | 4 | |
| AN16 | PB89D | 4 | | PB103D | 4 | |
| BA13 | PB91A | 4 | | PB105A | 4 | |
| BA12 | PB91B | 4 | | PB105B | 4 | |
| AU13 | PB91C | 4 | | PB105C | 4 | |
| AU12 | PB91D | 4 | | PB105D | 4 | |
| BB11 | PB92A | 4 | | PB106A | 4 | |
| BB10 | PB92B | 4 | | PB106B | 4 | |
| AP15 | PB92C | 4 | | PB106C | 4 | |
| AN15 | PB92D | 4 | | PB106D | 4 | |
| AV13 | PB93A | 4 | | PB107A | 4 | |
| AV12 | PB93B | 4 | | PB107B | 4 | |
| AT13 | PB93C | 4 | | PB107C | 4 | |
| AT12 | PB93D | 4 | | PB107D | 4 | |
| BA11 | PB95A | 4 | | PB109A | 4 | |
| BA10 | PB95B | 4 | | PB109B | 4 | |
| AR13 | PB95C | 4 | | PB109C | 4 | |
| AR12 | PB95D | 4 | | PB109D | 4 | |
| AY11 | PB96A | 4 | | PB110A | 4 | |
| AY10 | PB96B | 4 | | PB110B | 4 | |
| AP14 | PB96C | 4 | | PB110C | 4 | |
| AN14 | PB96D | 4 | | PB110D | 4 | |
| BB9 | PB97A | 4 | | PB111A | 4 | |
| BB8 | PB97B | 4 | | PB111B | 4 | |
| AU11 | PB97C | 4 | | PB111C | 4 | |
| AU10 | PB97D | 4 | | PB111D | 4 | |
| AW11 | PB99A | 4 | | PB113A | 4 | |
| AW10 | PB99B | 4 | | PB113B | 4 | |
| AJ16 | PB99C | 4 | | PB113C | 4 | |
| AJ17 | PB99D | 4 | | PB113D | 4 | |
| BA9 | PB100A | 4 | | PB114A | 4 | |
| BA8 | PB100B | 4 | | PB114B | 4 | |
| AM15 | PB100C | 4 | | PB114C | 4 | |
| AL15 | PB100D | 4 | | PB114D | 4 | |
| AV11 | PB101A | 4 | | PB115A | 4 | |
| AV10 | PB101B | 4 | | PB115B | 4 | |
| AP13 | PB101C | 4 | | PB115C | 4 | |
| AP12 | PB101D | 4 | | PB115D | 4 | |
| BB7 | PB103A | 4 | | PB117A | 4 | |
| BB6 | PB103B | 4 | | PB117B | 4 | |

LFSC/M80, LFSC/M115 Logic Signal Connections: 1704 fcBGA^{1,2} (Cont.)

| Ball Number | LFSC/M80 | | | LFSC/M115 | | |
|-------------|---------------|------------|---------------|---------------|------------|---------------|
| | Ball Function | VCCIO Bank | Dual Function | Ball Function | VCCIO Bank | Dual Function |
| AU9 | PB103C | 4 | | PB117C | 4 | |
| AU8 | PB103D | 4 | | PB117D | 4 | |
| AY8 | PB104A | 4 | | PB118A | 4 | |
| AY7 | PB104B | 4 | | PB118B | 4 | |
| AU7 | PB104C | 4 | | PB118C | 4 | |
| AU6 | PB104D | 4 | | PB118D | 4 | |
| BA7 | PB105A | 4 | | PB119A | 4 | |
| BA6 | PB105B | 4 | | PB119B | 4 | |
| AN13 | PB105C | 4 | | PB119C | 4 | |
| AN12 | PB105D | 4 | | PB119D | 4 | |
| AV9 | PB107A | 4 | | PB121A | 4 | |
| AV8 | PB107B | 4 | | PB121B | 4 | |
| AT10 | PB107C | 4 | | PB121C | 4 | |
| AT9 | PB107D | 4 | | PB121D | 4 | |
| AW8 | PB108A | 4 | | PB122A | 4 | |
| AW7 | PB108B | 4 | | PB122B | 4 | |
| AP11 | PB108C | 4 | | PB122C | 4 | |
| AP10 | PB108D | 4 | | PB122D | 4 | |
| BB5 | PB109A | 4 | | PB123A | 4 | |
| BB4 | PB109B | 4 | | PB123B | 4 | |
| AR10 | PB109C | 4 | | PB123C | 4 | |
| AR9 | PB109D | 4 | | PB123D | 4 | |
| BA5 | PB111A | 4 | | PB125A | 4 | |
| BA4 | PB111B | 4 | | PB125B | 4 | |
| AT7 | PB111C | 4 | | PB125C | 4 | |
| AT6 | PB111D | 4 | | PB125D | 4 | |
| BB3 | PB112A | 4 | | PB126A | 4 | |
| BA3 | PB112B | 4 | | PB126B | 4 | |
| AM14 | PB112C | 4 | | PB126C | 4 | |
| AL14 | PB112D | 4 | | PB126D | 4 | |
| AY5 | PB113A | 4 | | PB127A | 4 | |
| AY4 | PB113B | 4 | | PB127B | 4 | |
| AN11 | PB113C | 4 | | PB127C | 4 | |
| AN10 | PB113D | 4 | | PB127D | 4 | |
| AV7 | PB115A | 4 | | PB129A | 4 | |
| AV6 | PB115B | 4 | | PB129B | 4 | |
| AM12 | PB115C | 4 | | PB129C | 4 | |
| AM11 | PB115D | 4 | | PB129D | 4 | |
| AW5 | PB116A | 4 | | PB130A | 4 | |
| AW4 | PB116B | 4 | | PB130B | 4 | |
| AT5 | PB116C | 4 | | PB130C | 4 | |
| AT4 | PB116D | 4 | | PB130D | 4 | |
| AY2 | PB117A | 4 | | PB131A | 4 | |
| BA2 | PB117B | 4 | | PB131B | 4 | |
| AP9 | PB117C | 4 | | PB131C | 4 | |

LFSC/M80, LFSC/M115 Logic Signal Connections: 1704 fcBGA^{1,2} (Cont.)

| Ball Number | LFSC/M80 | | | LFSC/M115 | | |
|-------------|---------------|------------|-----------------------------|---------------|------------|-----------------------------|
| | Ball Function | VCCIO Bank | Dual Function | Ball Function | VCCIO Bank | Dual Function |
| AP8 | PB117D | 4 | | PB131D | 4 | |
| AY3 | PB119A | 4 | | PB133A | 4 | |
| AW3 | PB119B | 4 | | PB133B | 4 | |
| AR6 | PB119C | 4 | | PB133C | 4 | |
| AR5 | PB119D | 4 | | PB133D | 4 | |
| AU5 | PB120A | 4 | | PB134A | 4 | |
| AV5 | PB120B | 4 | | PB134B | 4 | |
| AL12 | PB120C | 4 | | PB134C | 4 | |
| AL11 | PB120D | 4 | | PB134D | 4 | |
| AV3 | PB121A | 4 | | PB135A | 4 | |
| AV4 | PB121B | 4 | | PB135B | 4 | |
| AN9 | PB121C | 4 | | PB135C | 4 | |
| AN8 | PB121D | 4 | | PB135D | 4 | |
| AW1 | PB123A | 4 | | PB138A | 4 | |
| AY1 | PB123B | 4 | | PB138B | 4 | |
| AK14 | PB123C | 4 | VREF1_4 | PB138C | 4 | VREF1_4 |
| AK13 | PB123D | 4 | | PB138D | 4 | |
| AV2 | PB124A | 4 | LRC_DLLT_IN_C/LRC_DLLT_FB_D | PB139A | 4 | LRC_DLLT_IN_C/LRC_DLLT_FB_D |
| AW2 | PB124B | 4 | LRC_DLLC_IN_C/LRC_DLLC_FB_D | PB139B | 4 | LRC_DLLC_IN_C/LRC_DLLC_FB_D |
| AM10 | PB124C | 4 | | PB139C | 4 | |
| AM9 | PB124D | 4 | | PB139D | 4 | |
| AV1 | PB125A | 4 | LRC_PLLT_IN_A/LRC_PLLT_FB_B | PB141A | 4 | LRC_PLLT_IN_A/LRC_PLLT_FB_B |
| AU1 | PB125B | 4 | LRC_PLLC_IN_A/LRC_PLLC_FB_B | PB141B | 4 | LRC_PLLC_IN_A/LRC_PLLC_FB_B |
| AL10 | PB125C | 4 | LRC_DLLT_IN_D/LRC_DLLT_FB_C | PB141C | 4 | LRC_DLLT_IN_D/LRC_DLLT_FB_C |
| AL9 | PB125D | 4 | LRC_DLLC_IN_D/LRC_DLLC_FB_C | PB141D | 4 | LRC_DLLC_IN_D/LRC_DLLC_FB_C |
| AT3 | PROBE_VCC | - | | PROBE_VCC | - | |
| AU2 | PROBE_GND | - | | PROBE_GND | - | |
| AP7 | PR95D | 3 | LRC_PLLC_IN_B/LRC_PLLC_FB_A | PR117D | 3 | LRC_PLLC_IN_B/LRC_PLLC_FB_A |
| AN7 | PR95C | 3 | LRC_PLLT_IN_B/LRC_PLLT_FB_A | PR117C | 3 | LRC_PLLT_IN_B/LRC_PLLT_FB_A |
| AR3 | PR95B | 3 | LRC_DLLC_IN_F/LRC_DLLC_FB_E | PR117B | 3 | LRC_DLLC_IN_F/LRC_DLLC_FB_E |
| AR4 | PR95A | 3 | LRC_DLLT_IN_F/LRC_DLLT_FB_E | PR117A | 3 | LRC_DLLT_IN_F/LRC_DLLT_FB_E |
| AP6 | PR94D | 3 | | PR116D | 3 | |
| AN6 | PR94C | 3 | | PR116C | 3 | |
| AT2 | PR94B | 3 | | PR116B | 3 | |
| AR2 | PR94A | 3 | | PR116A | 3 | |
| AM6 | PR93D | 3 | LRC_DLLC_IN_E/LRC_DLLC_FB_F | PR115D | 3 | LRC_DLLC_IN_E/LRC_DLLC_FB_F |
| AL6 | PR93C | 3 | LRC_DLLT_IN_E/LRC_DLLT_FB_F | PR115C | 3 | LRC_DLLT_IN_E/LRC_DLLT_FB_F |
| AP5 | PR93B | 3 | | PR115B | 3 | |
| AN5 | PR93A | 3 | | PR115A | 3 | |
| AL8 | PR91D | 3 | | PR112D | 3 | |
| AK8 | PR91C | 3 | | PR112C | 3 | |
| AP2 | PR91B | 3 | | PR112B | 3 | |
| AN2 | PR91A | 3 | | PR112A | 3 | |
| AJ12 | PR90D | 3 | | PR109D | 3 | |
| AH12 | PR90C | 3 | | PR109C | 3 | |

LFSC/M80, LFSC/M115 Logic Signal Connections: 1704 fcBGA^{1,2} (Cont.)

| Ball Number | LFSC/M80 | | | LFSC/M115 | | |
|-------------|---------------|------------|---------------|---------------|------------|---------------|
| | Ball Function | VCCIO Bank | Dual Function | Ball Function | VCCIO Bank | Dual Function |
| AP1 | PR90B | 3 | | PR109B | 3 | |
| AN1 | PR90A | 3 | | PR109A | 3 | |
| AK10 | PR89D | 3 | VREF2_3 | PR107D | 3 | VREF2_3 |
| AJ10 | PR89C | 3 | | PR107C | 3 | |
| AM5 | PR89B | 3 | | PR107B | 3 | |
| AL5 | PR89A | 3 | | PR107A | 3 | |
| AL7 | PR86D | 3 | | PR104D | 3 | |
| AK7 | PR86C | 3 | | PR104C | 3 | |
| AM1 | PR86B | 3 | | PR104B | 3 | |
| AL1 | PR86A | 3 | | PR104A | 3 | |
| AJ11 | PR85D | 3 | | PR103D | 3 | |
| AH11 | PR85C | 3 | | PR103C | 3 | |
| AK5 | PR85B | 3 | | PR103B | 3 | |
| AJ5 | PR85A | 3 | | PR103A | 3 | |
| AK9 | PR84D | 3 | | PR99D | 3 | |
| AJ9 | PR84C | 3 | | PR99C | 3 | |
| AK3 | PR84B | 3 | | PR99B | 3 | |
| AJ3 | PR84A | 3 | | PR99A | 3 | |
| AK6 | PR82D | 3 | | PR98D | 3 | |
| AJ6 | PR82C | 3 | | PR98C | 3 | |
| AK2 | PR82B | 3 | | PR98B | 3 | |
| AJ2 | PR82A | 3 | | PR98A | 3 | |
| AH10 | PR81D | 3 | | PR96D | 3 | |
| AG10 | PR81C | 3 | | PR96C | 3 | |
| AK1 | PR81B | 3 | | PR96B | 3 | |
| AJ1 | PR81A | 3 | | PR96A | 3 | |
| AH9 | PR80D | 3 | | PR94D | 3 | |
| AG9 | PR80C | 3 | | PR94C | 3 | |
| AH2 | PR80B | 3 | | PR94B | 3 | |
| AG2 | PR80A | 3 | | PR94A | 3 | |
| AH8 | PR78D | 3 | | PR92D | 3 | |
| AG8 | PR78C | 3 | | PR92C | 3 | |
| AG1 | PR78B | 3 | | PR92B | 3 | |
| AH1 | PR78A | 3 | | PR92A | 3 | |
| AG14 | PR77D | 3 | | PR91D | 3 | |
| AF14 | PR77C | 3 | | PR91C | 3 | |
| AG4 | PR77B | 3 | | PR91B | 3 | |
| AF4 | PR77A | 3 | | PR91A | 3 | |
| AH7 | PR76D | 3 | DIFFR_3 | PR90D | 3 | DIFFR_3 |
| AG7 | PR76C | 3 | | PR90C | 3 | |
| AG3 | PR76B | 3 | | PR90B | 3 | |
| AF3 | PR76A | 3 | | PR90A | 3 | |
| AH6 | PR74D | 3 | | PR88D | 3 | |
| AG6 | PR74C | 3 | | PR88C | 3 | |
| AF1 | PR74B | 3 | | PR88B | 3 | |

LFSC/M80, LFSC/M115 Logic Signal Connections: 1704 fcBGA^{1,2} (Cont.)

| Ball Number | LFSC/M80 | | | LFSC/M115 | | |
|-------------|---------------|------------|---------------|---------------|------------|---------------|
| | Ball Function | VCCIO Bank | Dual Function | Ball Function | VCCIO Bank | Dual Function |
| AE1 | PR74A | 3 | | PR88A | 3 | |
| AF12 | PR73D | 3 | | PR87D | 3 | |
| AE12 | PR73C | 3 | | PR87C | 3 | |
| AF2 | PR73B | 3 | | PR87B | 3 | |
| AE2 | PR73A | 3 | | PR87A | 3 | |
| AF11 | PR72D | 3 | | PR86D | 3 | |
| AE11 | PR72C | 3 | | PR86C | 3 | |
| AF5 | PR72B | 3 | | PR86B | 3 | |
| AE5 | PR72A | 3 | | PR86A | 3 | |
| AF10 | PR69D | 3 | | PR83D | 3 | |
| AE10 | PR69C | 3 | | PR83C | 3 | |
| AD1 | PR69B | 3 | | PR83B | 3 | |
| AC1 | PR69A | 3 | | PR83A | 3 | |
| AF9 | PR68D | 3 | | PR82D | 3 | |
| AE9 | PR68C | 3 | | PR82C | 3 | |
| AD2 | PR68B | 3 | | PR82B | 3 | |
| AC2 | PR68A | 3 | | PR82A | 3 | |
| AF6 | PR67D | 3 | | PR81D | 3 | |
| AE6 | PR67C | 3 | | PR81C | 3 | |
| AD3 | PR67B | 3 | | PR81B | 3 | |
| AC3 | PR67A | 3 | | PR81A | 3 | |
| AE8 | PR65D | 3 | | PR79D | 3 | |
| AD8 | PR65C | 3 | | PR79C | 3 | |
| AD4 | PR65B | 3 | | PR79B | 3 | |
| AC4 | PR65A | 3 | | PR79A | 3 | |
| AE7 | PR64D | 3 | | PR78D | 3 | |
| AD7 | PR64C | 3 | | PR78C | 3 | |
| AD5 | PR64B | 3 | | PR78B | 3 | |
| AC5 | PR64A | 3 | | PR78A | 3 | |
| AD6 | PR63D | 3 | | PR77D | 3 | |
| AC6 | PR63C | 3 | | PR77C | 3 | |
| AB1 | PR63B | 3 | | PR77B | 3 | |
| AA1 | PR63A | 3 | | PR77A | 3 | |
| AD9 | PR61D | 3 | | PR75D | 3 | |
| AC9 | PR61C | 3 | | PR75C | 3 | |
| AB2 | PR61B | 3 | | PR75B | 3 | |
| AA2 | PR61A | 3 | | PR75A | 3 | |
| AD14 | PR60D | 3 | | PR74D | 3 | |
| AC14 | PR60C | 3 | | PR74C | 3 | |
| AB5 | PR60B | 3 | | PR74B | 3 | |
| AA5 | PR60A | 3 | | PR74A | 3 | |
| AD10 | PR59D | 3 | | PR73D | 3 | |
| AC10 | PR59C | 3 | | PR73C | 3 | |
| Y1 | PR59B | 3 | | PR73B | 3 | |
| W1 | PR59A | 3 | | PR73A | 3 | |

LFSC/M80, LFSC/M115 Logic Signal Connections: 1704 fcBGA^{1,2} (Cont.)

| Ball Number | LFSC/M80 | | | LFSC/M115 | | |
|-------------|---------------|------------|---------------|---------------|------------|---------------|
| | Ball Function | VCCIO Bank | Dual Function | Ball Function | VCCIO Bank | Dual Function |
| AB6 | PR57D | 3 | | PR71D | 3 | |
| AA6 | PR57C | 3 | | PR71C | 3 | |
| Y2 | PR57B | 3 | | PR71B | 3 | |
| W2 | PR57A | 3 | | PR71A | 3 | |
| AB7 | PR56D | 3 | | PR70D | 3 | |
| AA7 | PR56C | 3 | | PR70C | 3 | |
| Y3 | PR56B | 3 | | PR70B | 3 | |
| W3 | PR56A | 3 | | PR70A | 3 | |
| AC11 | PR55D | 3 | | PR69D | 3 | |
| AB11 | PR55C | 3 | VREF1_3 | PR69C | 3 | VREF1_3 |
| Y4 | PR55B | 3 | | PR69B | 3 | |
| W4 | PR55A | 3 | | PR69A | 3 | |
| AB8 | PR52D | 3 | PCLKC3_2 | PR66D | 3 | PCLKC3_2 |
| AA8 | PR52C | 3 | PCLKT3_2 | PR66C | 3 | PCLKT3_2 |
| Y5 | PR52B | 3 | | PR66B | 3 | |
| W5 | PR52A | 3 | | PR66A | 3 | |
| AC12 | PR51D | 3 | PCLKC3_3 | PR65D | 3 | PCLKC3_3 |
| AB12 | PR51C | 3 | PCLKT3_3 | PR65C | 3 | PCLKT3_3 |
| V1 | PR51B | 3 | | PR65B | 3 | |
| U1 | PR51A | 3 | | PR65A | 3 | |
| W7 | PR50D | 3 | PCLKC3_1 | PR64D | 3 | PCLKC3_1 |
| V7 | PR50C | 3 | PCLKT3_1 | PR64C | 3 | PCLKT3_1 |
| V2 | PR50B | 3 | PCLKC3_0 | PR64B | 3 | PCLKC3_0 |
| U2 | PR50A | 3 | PCLKT3_0 | PR64A | 3 | PCLKT3_0 |
| AB9 | PR48D | 2 | PCLKC2_2 | PR62D | 2 | PCLKC2_2 |
| AA9 | PR48C | 2 | PCLKT2_2 | PR62C | 2 | PCLKT2_2 |
| T1 | PR48B | 2 | PCLKC2_0 | PR62B | 2 | PCLKC2_0 |
| R1 | PR48A | 2 | PCLKT2_0 | PR62A | 2 | PCLKT2_0 |
| AB10 | PR47D | 2 | PCLKC2_3 | PR61D | 2 | PCLKC2_3 |
| AA10 | PR47C | 2 | PCLKT2_3 | PR61C | 2 | PCLKT2_3 |
| U3 | PR47B | 2 | PCLKC2_1 | PR61B | 2 | PCLKC2_1 |
| T3 | PR47A | 2 | PCLKT2_1 | PR61A | 2 | PCLKT2_1 |
| Y9 | PR46D | 2 | | PR60D | 2 | |
| W9 | PR46C | 2 | | PR60C | 2 | |
| V5 | PR46B | 2 | | PR60B | 2 | |
| U5 | PR46A | 2 | | PR60A | 2 | |
| AA11 | PR43D | 2 | | PR57D | 2 | |
| Y11 | PR43C | 2 | | PR57C | 2 | |
| Y6 | PR43B | 2 | | PR57B | 2 | |
| W6 | PR43A | 2 | | PR57A | 2 | |
| Y10 | PR42D | 2 | | PR56D | 2 | |
| W10 | PR42C | 2 | | PR56C | 2 | |
| T2 | PR42B | 2 | | PR56B | 2 | |
| R2 | PR42A | 2 | | PR56A | 2 | |
| W8 | PR41D | 2 | | PR55D | 2 | |

LFSC/M80, LFSC/M115 Logic Signal Connections: 1704 fcBGA^{1,2} (Cont.)

| Ball Number | LFSC/M80 | | | LFSC/M115 | | |
|-------------|---------------|------------|---------------|---------------|------------|---------------|
| | Ball Function | VCCIO Bank | Dual Function | Ball Function | VCCIO Bank | Dual Function |
| V8 | PR41C | 2 | | PR55C | 2 | |
| T4 | PR41B | 2 | | PR55B | 2 | |
| U4 | PR41A | 2 | | PR55A | 2 | |
| V9 | PR39D | 2 | | PR53D | 2 | |
| U9 | PR39C | 2 | | PR53C | 2 | |
| V6 | PR39B | 2 | | PR53B | 2 | |
| U6 | PR39A | 2 | | PR53A | 2 | |
| AA12 | PR38D | 2 | | PR52D | 2 | |
| Y12 | PR38C | 2 | | PR52C | 2 | |
| P1 | PR38B | 2 | | PR52B | 2 | |
| N1 | PR38A | 2 | | PR52A | 2 | |
| T7 | PR37D | 2 | | PR51D | 2 | |
| R7 | PR37C | 2 | | PR51C | 2 | |
| T5 | PR37B | 2 | | PR51B | 2 | |
| R5 | PR37A | 2 | | PR51A | 2 | |
| U10 | PR35D | 2 | | PR49D | 2 | |
| V10 | PR35C | 2 | | PR49C | 2 | |
| P2 | PR35B | 2 | | PR49B | 2 | |
| N2 | PR35A | 2 | | PR49A | 2 | |
| T8 | PR34D | 2 | | PR48D | 2 | |
| R8 | PR34C | 2 | | PR48C | 2 | |
| N3 | PR34B | 2 | | PR48B | 2 | |
| P3 | PR34A | 2 | | PR48A | 2 | |
| M6 | PR33D | 2 | | PR47D | 2 | |
| M7 | PR33C | 2 | | PR47C | 2 | |
| T6 | PR33B | 2 | | PR47B | 2 | |
| R6 | PR33A | 2 | | PR47A | 2 | |
| V11 | PR31D | 2 | | PR45D | 2 | |
| U11 | PR31C | 2 | | PR45C | 2 | |
| M1 | PR31B | 2 | | PR45B | 2 | |
| L1 | PR31A | 2 | | PR45A | 2 | |
| Y14 | PR30D | 2 | | PR44D | 2 | |
| W14 | PR30C | 2 | | PR44C | 2 | |
| M2 | PR30B | 2 | | PR44B | 2 | |
| L2 | PR30A | 2 | | PR44A | 2 | |
| T9 | PR29D | 2 | DIFFR_2 | PR43D | 2 | DIFFR_2 |
| R9 | PR29C | 2 | VREF1_2 | PR43C | 2 | VREF1_2 |
| P4 | PR29B | 2 | | PR43B | 2 | |
| N4 | PR29A | 2 | | PR43A | 2 | |
| N7 | PR26D | 2 | | PR40D | 2 | |
| N8 | PR26C | 2 | | PR40C | 2 | |
| P5 | PR26B | 2 | | PR40B | 2 | |
| N5 | PR26A | 2 | | PR40A | 2 | |
| K7 | PR25D | 2 | | PR38D | 2 | |
| J7 | PR25C | 2 | | PR38C | 2 | |

LFSC/M80, LFSC/M115 Logic Signal Connections: 1704 fcBGA^{1,2} (Cont.)

| Ball Number | LFSC/M80 | | | LFSC/M115 | | |
|-------------|---------------|------------|-----------------------------|---------------|------------|-----------------------------|
| | Ball Function | VCCIO Bank | Dual Function | Ball Function | VCCIO Bank | Dual Function |
| J1 | PR25B | 2 | | PR38B | 2 | |
| K1 | PR25A | 2 | | PR38A | 2 | |
| V12 | PR24D | 2 | | PR34D | 2 | |
| U12 | PR24C | 2 | | PR34C | 2 | |
| K2 | PR24B | 2 | | PR34B | 2 | |
| J2 | PR24A | 2 | | PR34A | 2 | |
| R10 | PR22D | 2 | | PR30D | 2 | |
| T10 | PR22C | 2 | | PR30C | 2 | |
| L5 | PR22B | 2 | | PR30B | 2 | |
| K5 | PR22A | 2 | | PR30A | 2 | |
| P9 | PR21D | 2 | | PR26D | 2 | |
| N9 | PR21C | 2 | | PR26C | 2 | |
| L6 | PR21B | 2 | | PR26B | 2 | |
| K6 | PR21A | 2 | | PR26A | 2 | |
| M8 | PR20D | 2 | | PR19D | 2 | |
| M9 | PR20C | 2 | | PR19C | 2 | |
| H1 | PR20B | 2 | | PR19B | 2 | |
| G1 | PR20A | 2 | | PR19A | 2 | |
| U14 | PR18D | 2 | VREF2_2 | PR18D | 2 | VREF2_2 |
| T14 | PR18C | 2 | | PR18C | 2 | |
| H2 | PR18B | 2 | URC_DLLC_IN_D/URC_DLLC_FB_C | PR18B | 2 | URC_DLLC_IN_D/URC_DLLC_FB_C |
| G2 | PR18A | 2 | URC_DLLT_IN_D/URC_DLLT_FB_C | PR18A | 2 | URC_DLLT_IN_D/URC_DLLT_FB_C |
| P10 | PR17D | 2 | URC_PLLC_IN_B/URC_PLLC_FB_A | PR17D | 2 | URC_PLLC_IN_B/URC_PLLC_FB_A |
| N10 | PR17C | 2 | URC_PLLT_IN_B/URC_PLLT_FB_A | PR17C | 2 | URC_PLLT_IN_B/URC_PLLT_FB_A |
| H3 | PR17B | 2 | URC_DLLC_IN_C/URC_DLLC_FB_D | PR17B | 2 | URC_DLLC_IN_C/URC_DLLC_FB_D |
| G3 | PR17A | 2 | URC_DLLT_IN_C/URC_DLLT_FB_D | PR17A | 2 | URC_DLLT_IN_C/URC_DLLT_FB_D |
| R11 | PR16D | 2 | | PR15D | 2 | |
| P11 | PR16C | 2 | | PR15C | 2 | |
| J5 | PR16B | 2 | URC_PLLC_IN_A/URC_PLLC_FB_B | PR15B | 2 | URC_PLLC_IN_A/URC_PLLC_FB_B |
| J6 | PR16A | 2 | URC_PLLT_IN_A/URC_PLLT_FB_B | PR15A | 2 | URC_PLLT_IN_A/URC_PLLT_FB_B |
| P18 | VCCJ | - | | VCCJ | - | |
| P19 | TDO | - | TDO | TDO | - | TDO |
| R21 | TMS | - | | TMS | - | |
| P20 | TCK | - | | TCK | - | |
| P12 | TDI | - | | TDI | - | |
| P17 | PROGRAMN | 1 | | PROGRAMN | 1 | |
| P21 | MPIIRQN | 1 | CFGIRQN/MPI_IRQ_N | MPIIRQN | 1 | CFGIRQN/MPI_IRQ_N |
| P13 | CCLK | 1 | | CCLK | 1 | |
| H10 | RESP_URC | - | | RESP_URC | - | |
| N13 | VCC12 | - | | VCC12 | - | |
| H9 | A_REFCLKN_R | - | | A_REFCLKN_R | - | |
| G9 | A_REFCLKP_R | - | | A_REFCLKP_R | - | |
| F2 | VCC12 | - | | VCC12 | - | |
| H4 | A_VDDIB0_R | - | | A_VDDIB0_R | - | |
| C1 | A_HDINP0_R | - | PCS 3E0 CH 0 IN P | A_HDINP0_R | - | PCS 3E0 CH 0 IN P |

LFSC/M80, LFSC/M115 Logic Signal Connections: 1704 fcBGA^{1,2} (Cont.)

| Ball Number | LFSC/M80 | | | LFSC/M115 | | |
|-------------|---------------|------------|--------------------|---------------|------------|--------------------|
| | Ball Function | VCCIO Bank | Dual Function | Ball Function | VCCIO Bank | Dual Function |
| D1 | A_HDINN0_R | - | PCS 3E0 CH 0 IN N | A_HDINN0_R | - | PCS 3E0 CH 0 IN N |
| F1 | VCC12 | - | | VCC12 | - | |
| A3 | A_HDOUTP0_R | - | PCS 3E0 CH 0 OUT P | A_HDOUTP0_R | - | PCS 3E0 CH 0 OUT P |
| E1 | A_VDDOB0_R | - | | A_VDDOB0_R | - | |
| B3 | A_HDOUTN0_R | - | PCS 3E0 CH 0 OUT N | A_HDOUTN0_R | - | PCS 3E0 CH 0 OUT N |
| C2 | A_VDDOB1_R | - | | A_VDDOB1_R | - | |
| A4 | A_HDOUTN1_R | - | PCS 3E0 CH 1 OUT N | A_HDOUTN1_R | - | PCS 3E0 CH 1 OUT N |
| B2 | VCC12 | - | | VCC12 | - | |
| B4 | A_HDOUTP1_R | - | PCS 3E0 CH 1 OUT P | A_HDOUTP1_R | - | PCS 3E0 CH 1 OUT P |
| E3 | A_HDINN1_R | - | PCS 3E0 CH 1 IN N | A_HDINN1_R | - | PCS 3E0 CH 1 IN N |
| D3 | A_HDINP1_R | - | PCS 3E0 CH 1 IN P | A_HDINP1_R | - | PCS 3E0 CH 1 IN P |
| M10 | VCC12 | - | | VCC12 | - | |
| E2 | A_VDDIB1_R | - | | A_VDDIB1_R | - | |
| J11 | VCC12 | - | | VCC12 | - | |
| M11 | A_VDDIB2_R | - | | A_VDDIB2_R | - | |
| D4 | A_HDINP2_R | - | PCS 3E0 CH 2 IN P | A_HDINP2_R | - | PCS 3E0 CH 2 IN P |
| E4 | A_HDINN2_R | - | PCS 3E0 CH 2 IN N | A_HDINN2_R | - | PCS 3E0 CH 2 IN N |
| K9 | VCC12 | - | | VCC12 | - | |
| A5 | A_HDOUTP2_R | - | PCS 3E0 CH 2 OUT P | A_HDOUTP2_R | - | PCS 3E0 CH 2 OUT P |
| D2 | A_VDDOB2_R | - | | A_VDDOB2_R | - | |
| B5 | A_HDOUTN2_R | - | PCS 3E0 CH 2 OUT N | A_HDOUTN2_R | - | PCS 3E0 CH 2 OUT N |
| L10 | A_VDDOB3_R | - | | A_VDDOB3_R | - | |
| B6 | A_HDOUTN3_R | - | PCS 3E0 CH 3 OUT N | A_HDOUTN3_R | - | PCS 3E0 CH 3 OUT N |
| G6 | VCC12 | - | | VCC12 | - | |
| A6 | A_HDOUTP3_R | - | PCS 3E0 CH 3 OUT P | A_HDOUTP3_R | - | PCS 3E0 CH 3 OUT P |
| E5 | A_HDINN3_R | - | PCS 3E0 CH 3 IN N | A_HDINN3_R | - | PCS 3E0 CH 3 IN N |
| D5 | A_HDINP3_R | - | PCS 3E0 CH 3 IN P | A_HDINP3_R | - | PCS 3E0 CH 3 IN P |
| K12 | VCC12 | - | | VCC12 | - | |
| L13 | A_VDDIB3_R | - | | A_VDDIB3_R | - | |
| N14 | VCC12 | - | | VCC12 | - | |
| F9 | B_VDDIB0_R | - | | B_VDDIB0_R | - | |
| D6 | B_HDINP0_R | - | PCS 3E1 CH 0 IN P | B_HDINP0_R | - | PCS 3E1 CH 0 IN P |
| E6 | B_HDINN0_R | - | PCS 3E1 CH 0 IN N | B_HDINN0_R | - | PCS 3E1 CH 0 IN N |
| J8 | VCC12 | - | | VCC12 | - | |
| B7 | B_HDOUTP0_R | - | PCS 3E1 CH 0 OUT P | B_HDOUTP0_R | - | PCS 3E1 CH 0 OUT P |
| G4 | B_VDDOB0_R | - | | B_VDDOB0_R | - | |
| A7 | B_HDOUTN0_R | - | PCS 3E1 CH 0 OUT N | B_HDOUTN0_R | - | PCS 3E1 CH 0 OUT N |
| K8 | B_VDDOB1_R | - | | B_VDDOB1_R | - | |
| A8 | B_HDOUTN1_R | - | PCS 3E1 CH 1 OUT N | B_HDOUTN1_R | - | PCS 3E1 CH 1 OUT N |
| L9 | VCC12 | - | | VCC12 | - | |
| B8 | B_HDOUTP1_R | - | PCS 3E1 CH 1 OUT P | B_HDOUTP1_R | - | PCS 3E1 CH 1 OUT P |
| E7 | B_HDINN1_R | - | PCS 3E1 CH 1 IN N | B_HDINN1_R | - | PCS 3E1 CH 1 IN N |
| D7 | B_HDINP1_R | - | PCS 3E1 CH 1 IN P | B_HDINP1_R | - | PCS 3E1 CH 1 IN P |
| F10 | VCC12 | - | | VCC12 | - | |
| K13 | B_VDDIB1_R | - | | B_VDDIB1_R | - | |

LFSC/M80, LFSC/M115 Logic Signal Connections: 1704 fcBGA^{1,2} (Cont.)

| Ball Number | LFSC/M80 | | | LFSC/M115 | | |
|-------------|---------------|------------|--------------------|---------------|------------|--------------------|
| | Ball Function | VCCIO Bank | Dual Function | Ball Function | VCCIO Bank | Dual Function |
| K14 | VCC12 | - | | VCC12 | - | |
| H11 | B_VDDIB2_R | - | | B_VDDIB2_R | - | |
| D8 | B_HDINP2_R | - | PCS 3E1 CH 2 IN P | B_HDINP2_R | - | PCS 3E1 CH 2 IN P |
| E8 | B_HDINN2_R | - | PCS 3E1 CH 2 IN N | B_HDINN2_R | - | PCS 3E1 CH 2 IN N |
| G5 | VCC12 | - | | VCC12 | - | |
| B9 | B_HDOUTP2_R | - | PCS 3E1 CH 2 OUT P | B_HDOUTP2_R | - | PCS 3E1 CH 2 OUT P |
| L12 | B_VDDOB2_R | - | | B_VDDOB2_R | - | |
| A9 | B_HDOUTN2_R | - | PCS 3E1 CH 2 OUT N | B_HDOUTN2_R | - | PCS 3E1 CH 2 OUT N |
| C5 | B_VDDOB3_R | - | | B_VDDOB3_R | - | |
| A10 | B_HDOUTN3_R | - | PCS 3E1 CH 3 OUT N | B_HDOUTN3_R | - | PCS 3E1 CH 3 OUT N |
| H5 | VCC12 | - | | VCC12 | - | |
| B10 | B_HDOUTP3_R | - | PCS 3E1 CH 3 OUT P | B_HDOUTP3_R | - | PCS 3E1 CH 3 OUT P |
| E9 | B_HDINN3_R | - | PCS 3E1 CH 3 IN N | B_HDINN3_R | - | PCS 3E1 CH 3 IN N |
| D9 | B_HDINP3_R | - | PCS 3E1 CH 3 IN P | B_HDINP3_R | - | PCS 3E1 CH 3 IN P |
| J13 | VCC12 | - | | VCC12 | - | |
| H12 | B_VDDIB3_R | - | | B_VDDIB3_R | - | |
| J12 | VCC12 | - | | VCC12 | - | |
| M14 | B_REFCLKN_R | - | | B_REFCLKN_R | - | |
| L14 | B_REFCLKP_R | - | | B_REFCLKP_R | - | |
| J14 | VCC12 | - | | VCC12 | - | |
| G12 | C_VDDIB0_R | - | | C_VDDIB0_R | - | |
| D10 | C_HDINP0_R | - | PCS 3E2 CH 0 IN P | C_HDINP0_R | - | PCS 3E2 CH 0 IN P |
| E10 | C_HDINN0_R | - | PCS 3E2 CH 0 IN N | C_HDINN0_R | - | PCS 3E2 CH 0 IN N |
| H6 | VCC12 | - | | VCC12 | - | |
| B11 | C_HDOUTP0_R | - | PCS 3E2 CH 0 OUT P | C_HDOUTP0_R | - | PCS 3E2 CH 0 OUT P |
| M12 | C_VDDOB0_R | - | | C_VDDOB0_R | - | |
| A11 | C_HDOUTN0_R | - | PCS 3E2 CH 0 OUT N | C_HDOUTN0_R | - | PCS 3E2 CH 0 OUT N |
| L11 | C_VDDOB1_R | - | | C_VDDOB1_R | - | |
| A12 | C_HDOUTN1_R | - | PCS 3E2 CH 1 OUT N | C_HDOUTN1_R | - | PCS 3E2 CH 1 OUT N |
| K11 | VCC12 | - | | VCC12 | - | |
| B12 | C_HDOUTP1_R | - | PCS 3E2 CH 1 OUT P | C_HDOUTP1_R | - | PCS 3E2 CH 1 OUT P |
| E11 | C_HDINN1_R | - | PCS 3E2 CH 1 IN N | C_HDINN1_R | - | PCS 3E2 CH 1 IN N |
| D11 | C_HDINP1_R | - | PCS 3E2 CH 1 IN P | C_HDINP1_R | - | PCS 3E2 CH 1 IN P |
| H13 | VCC12 | - | | VCC12 | - | |
| C6 | C_VDDIB1_R | - | | C_VDDIB1_R | - | |
| H15 | VCC12 | - | | VCC12 | - | |
| G13 | C_VDDIB2_R | - | | C_VDDIB2_R | - | |
| D12 | C_HDINP2_R | - | PCS 3E2 CH 2 IN P | C_HDINP2_R | - | PCS 3E2 CH 2 IN P |
| E12 | C_HDINN2_R | - | PCS 3E2 CH 2 IN N | C_HDINN2_R | - | PCS 3E2 CH 2 IN N |
| J9 | VCC12 | - | | VCC12 | - | |
| B13 | C_HDOUTP2_R | - | PCS 3E2 CH 2 OUT P | C_HDOUTP2_R | - | PCS 3E2 CH 2 OUT P |
| K10 | C_VDDOB2_R | - | | C_VDDOB2_R | - | |
| A13 | C_HDOUTN2_R | - | PCS 3E2 CH 2 OUT N | C_HDOUTN2_R | - | PCS 3E2 CH 2 OUT N |
| J10 | C_VDDOB3_R | - | | C_VDDOB3_R | - | |
| A14 | C_HDOUTN3_R | - | PCS 3E2 CH 3 OUT N | C_HDOUTN3_R | - | PCS 3E2 CH 3 OUT N |

LFSC/M80, LFSC/M115 Logic Signal Connections: 1704 fcBGA^{1,2} (Cont.)

| Ball Number | LFSC/M80 | | | LFSC/M115 | | |
|-------------|---------------|------------|--------------------|---------------|------------|--------------------|
| | Ball Function | VCCIO Bank | Dual Function | Ball Function | VCCIO Bank | Dual Function |
| F5 | VCC12 | - | | VCC12 | - | |
| B14 | C_HDOUTP3_R | - | PCS 3E2 CH 3 OUT P | C_HDOUTP3_R | - | PCS 3E2 CH 3 OUT P |
| E13 | C_HDINN3_R | - | PCS 3E2 CH 3 IN N | C_HDINN3_R | - | PCS 3E2 CH 3 IN N |
| D13 | C_HDINP3_R | - | PCS 3E2 CH 3 IN P | C_HDINP3_R | - | PCS 3E2 CH 3 IN P |
| F12 | VCC12 | - | | VCC12 | - | |
| G14 | C_VDDIB3_R | - | | C_VDDIB3_R | - | |
| F11 | VCC12 | - | | VCC12 | - | |
| K15 | C_REFCLKN_R | - | | C_REFCLKN_R | - | |
| J15 | C_REFCLKP_R | - | | C_REFCLKP_R | - | |
| G15 | VCC12 | - | | VCC12 | - | |
| H16 | D_VDDIB0_R | - | | D_VDDIB0_R | - | |
| D14 | D_HDINP0_R | - | PCS 3E3 CH 0 IN P | D_HDINP0_R | - | PCS 3E3 CH 0 IN P |
| E14 | D_HDINN0_R | - | PCS 3E3 CH 0 IN N | D_HDINN0_R | - | PCS 3E3 CH 0 IN N |
| F6 | VCC12 | - | | VCC12 | - | |
| B15 | D_HDOUTP0_R | - | PCS 3E3 CH 0 OUT P | D_HDOUTP0_R | - | PCS 3E3 CH 0 OUT P |
| M13 | D_VDDOB0_R | - | | D_VDDOB0_R | - | |
| A15 | D_HDOUTN0_R | - | PCS 3E3 CH 0 OUT N | D_HDOUTN0_R | - | PCS 3E3 CH 0 OUT N |
| F8 | D_VDDOB1_R | - | | D_VDDOB1_R | - | |
| A16 | D_HDOUTN1_R | - | PCS 3E3 CH 1 OUT N | D_HDOUTN1_R | - | PCS 3E3 CH 1 OUT N |
| F7 | VCC12 | - | | VCC12 | - | |
| B16 | D_HDOUTP1_R | - | PCS 3E3 CH 1 OUT P | D_HDOUTP1_R | - | PCS 3E3 CH 1 OUT P |
| F15 | D_HDINN1_R | - | PCS 3E3 CH 1 IN N | D_HDINN1_R | - | PCS 3E3 CH 1 IN N |
| E15 | D_HDINP1_R | - | PCS 3E3 CH 1 IN P | D_HDINP1_R | - | PCS 3E3 CH 1 IN P |
| K17 | VCC12 | - | | VCC12 | - | |
| F13 | D_VDDIB1_R | - | | D_VDDIB1_R | - | |
| C14 | VCC12 | - | | VCC12 | - | |
| C15 | D_VDDIB2_R | - | | D_VDDIB2_R | - | |
| D16 | D_HDINP2_R | - | PCS 3E3 CH 2 IN P | D_HDINP2_R | - | PCS 3E3 CH 2 IN P |
| E16 | D_HDINN2_R | - | PCS 3E3 CH 2 IN N | D_HDINN2_R | - | PCS 3E3 CH 2 IN N |
| C11 | VCC12 | - | | VCC12 | - | |
| B17 | D_HDOUTP2_R | - | PCS 3E3 CH 2 OUT P | D_HDOUTP2_R | - | PCS 3E3 CH 2 OUT P |
| C9 | D_VDDOB2_R | - | | D_VDDOB2_R | - | |
| A17 | D_HDOUTN2_R | - | PCS 3E3 CH 2 OUT N | D_HDOUTN2_R | - | PCS 3E3 CH 2 OUT N |
| D17 | D_VDDOB3_R | - | | D_VDDOB3_R | - | |
| A18 | D_HDOUTN3_R | - | PCS 3E3 CH 3 OUT N | D_HDOUTN3_R | - | PCS 3E3 CH 3 OUT N |
| C17 | VCC12 | - | | VCC12 | - | |
| B18 | D_HDOUTP3_R | - | PCS 3E3 CH 3 OUT P | D_HDOUTP3_R | - | PCS 3E3 CH 3 OUT P |
| F17 | D_HDINN3_R | - | PCS 3E3 CH 3 IN N | D_HDINN3_R | - | PCS 3E3 CH 3 IN N |
| E17 | D_HDINP3_R | - | PCS 3E3 CH 3 IN P | D_HDINP3_R | - | PCS 3E3 CH 3 IN P |
| F14 | VCC12 | - | | VCC12 | - | |
| F16 | D_VDDIB3_R | - | | D_VDDIB3_R | - | |
| G16 | VCC12 | - | | VCC12 | - | |
| M17 | D_REFCLKN_R | - | | D_REFCLKN_R | - | |
| L17 | D_REFCLKP_R | - | | D_REFCLKP_R | - | |
| G18 | PT77D | 1 | HDC/SI | PT93D | 1 | HDC/SI |

LFSC/M80, LFSC/M115 Logic Signal Connections: 1704 fcBGA^{1,2} (Cont.)

| Ball Number | LFSC/M80 | | | LFSC/M115 | | |
|-------------|---------------|------------|-------------------------|---------------|------------|-------------------------|
| | Ball Function | VCCIO Bank | Dual Function | Ball Function | VCCIO Bank | Dual Function |
| H18 | PT77C | 1 | LDCN/SCS | PT93C | 1 | LDCN/SCS |
| F18 | PT77B | 1 | D8/MPI_DATA8 | PT93B | 1 | D8/MPI_DATA8 |
| E18 | PT77A | 1 | CS1/MPI_CS1 | PT93A | 1 | CS1/MPI_CS1 |
| H19 | PT75D | 1 | D9/MPI_DATA9 | PT90D | 1 | D9/MPI_DATA9 |
| G19 | PT75C | 1 | D10/MPI_DATA10 | PT90C | 1 | D10/MPI_DATA10 |
| D19 | PT75B | 1 | CS0N/MPI_CS0N | PT90B | 1 | CS0N/MPI_CS0N |
| D18 | PT75A | 1 | RDN/MPI_STRB_N | PT90A | 1 | RDN/MPI_STRB_N |
| J20 | PT74D | 1 | WRN/MPI_WR_N | PT89D | 1 | WRN/MPI_WR_N |
| K20 | PT74C | 1 | D7/MPI_DATA7 | PT89C | 1 | D7/MPI_DATA7 |
| E19 | PT74B | 1 | D6/MPI_DATA6 | PT89B | 1 | D6/MPI_DATA6 |
| F19 | PT74A | 1 | D5/MPI_DATA5 | PT89A | 1 | D5/MPI_DATA5 |
| K18 | PT73D | 1 | D4/MPI_DATA4 | PT87D | 1 | D4/MPI_DATA4 |
| J18 | PT73C | 1 | D3/MPI_DATA3 | PT87C | 1 | D3/MPI_DATA3 |
| A19 | PT73B | 1 | D2/MPI_DATA2 | PT87B | 1 | D2/MPI_DATA2 |
| B19 | PT73A | 1 | D1/MPI_DATA1 | PT87A | 1 | D1/MPI_DATA1 |
| H17 | PT71D | 1 | D16/PCLKC1_3/MPI_DATA16 | PT86D | 1 | D16/PCLKC1_3/MPI_DATA16 |
| J17 | PT71C | 1 | D17/PCLKT1_3/MPI_DATA17 | PT86C | 1 | D17/PCLKT1_3/MPI_DATA17 |
| B20 | PT71B | 1 | D0/MPI_DATA0 | PT86B | 1 | D0/MPI_DATA0 |
| C20 | PT71A | 1 | QOUT/CEON | PT86A | 1 | QOUT/CEON |
| M20 | PT70D | 1 | VREF2_1 | PT83D | 1 | VREF2_1 |
| L20 | PT70C | 1 | D18/MPI_DATA18 | PT83C | 1 | D18/MPI_DATA18 |
| F20 | PT70B | 1 | DOUT | PT83B | 1 | DOUT |
| G20 | PT70A | 1 | MCA_DONE_IN | PT83A | 1 | MCA_DONE_IN |
| K19 | PT69D | 1 | D19/PCLKC1_2/MPI_DATA19 | PT81D | 1 | D19/PCLKC1_2/MPI_DATA19 |
| J19 | PT69C | 1 | D20/PCLKT1_2/MPI_DATA20 | PT81C | 1 | D20/PCLKT1_2/MPI_DATA20 |
| D20 | PT69B | 1 | MCA_CLK_P1_OUT | PT81B | 1 | MCA_CLK_P1_OUT |
| E20 | PT69A | 1 | MCA_CLK_P1_IN | PT81A | 1 | MCA_CLK_P1_IN |
| H21 | PT67D | 1 | D21/PCLKC1_1/MPI_DATA21 | PT78D | 1 | D21/PCLKC1_1/MPI_DATA21 |
| G21 | PT67C | 1 | D22/PCLKT1_1/MPI_DATA22 | PT78C | 1 | D22/PCLKT1_1/MPI_DATA22 |
| B21 | PT67B | 1 | MCA_CLK_P2_OUT | PT78B | 1 | MCA_CLK_P2_OUT |
| C21 | PT67A | 1 | MCA_CLK_P2_IN | PT78A | 1 | MCA_CLK_P2_IN |
| M21 | PT66D | 1 | MCA_DONE_OUT | PT75D | 1 | MCA_DONE_OUT |
| L21 | PT66C | 1 | BUSYN/RCLK/SCK | PT75C | 1 | BUSYN/RCLK/SCK |
| A21 | PT66B | 1 | DP0/MPI_PAR0 | PT75B | 1 | DP0/MPI_PAR0 |
| A20 | PT66A | 1 | MPI_TA | PT75A | 1 | MPI_TA |
| J21 | PT65D | 1 | D23/MPI_DATA23 | PT73D | 1 | D23/MPI_DATA23 |
| K21 | PT65C | 1 | DP2/MPI_PAR2 | PT73C | 1 | DP2/MPI_PAR2 |
| E21 | PT65B | 1 | PCLKC1_0 | PT73B | 1 | PCLKC1_0 |
| F21 | PT65A | 1 | PCLKT1_0/MPI_CLK | PT73A | 1 | PCLKT1_0/MPI_CLK |
| G22 | PT63D | 1 | DP3/PCLKC1_4/MPI_PAR3 | PT71D | 1 | DP3/PCLKC1_4/MPI_PAR3 |
| H22 | PT63C | 1 | D24/PCLKT1_4/MPI_DATA24 | PT71C | 1 | D24/PCLKT1_4/MPI_DATA24 |
| A23 | PT63B | 1 | MPI_RETRY | PT71B | 1 | MPI_RETRY |
| A22 | PT63A | 1 | A0/MPI_ADDR14 | PT71A | 1 | A0/MPI_ADDR14 |
| L22 | PT61D | 1 | A1/MPI_ADDR15 | PT69D | 1 | A1/MPI_ADDR15 |
| M22 | PT61C | 1 | A2/MPI_ADDR16 | PT69C | 1 | A2/MPI_ADDR16 |

LFSC/M80, LFSC/M115 Logic Signal Connections: 1704 fcBGA^{1,2} (Cont.)

| Ball Number | LFSC/M80 | | | LFSC/M115 | | |
|-------------|---------------|------------|-------------------------|---------------|------------|-------------------------|
| | Ball Function | VCCIO Bank | Dual Function | Ball Function | VCCIO Bank | Dual Function |
| B22 | PT61B | 1 | A3/MPI_ADDR17 | PT69B | 1 | A3/MPI_ADDR17 |
| B23 | PT61A | 1 | A4/MPI_ADDR18 | PT69A | 1 | A4/MPI_ADDR18 |
| K23 | PT60D | 1 | D25/PCLKC1_5/MPI_DATA25 | PT66D | 1 | D25/PCLKC1_5/MPI_DATA25 |
| J23 | PT60C | 1 | D26/PCLKT1_5/MPI_DATA26 | PT66C | 1 | D26/PCLKT1_5/MPI_DATA26 |
| D22 | PT60B | 1 | A5/MPI_ADDR19 | PT66B | 1 | A5/MPI_ADDR19 |
| E22 | PT60A | 1 | A6/MPI_ADDR20 | PT66A | 1 | A6/MPI_ADDR20 |
| K22 | PT59D | 1 | D27/MPI_DATA27 | PT63D | 1 | D27/MPI_DATA27 |
| J22 | PT59C | 1 | VREF1_1 | PT63C | 1 | VREF1_1 |
| D23 | PT59B | 1 | A7/MPI_ADDR21 | PT63B | 1 | A7/MPI_ADDR21 |
| C23 | PT59A | 1 | A8/MPI_ADDR22 | PT63A | 1 | A8/MPI_ADDR22 |
| L23 | PT57D | 1 | D28/PCLKC1_6/MPI_DATA28 | PT61D | 1 | D28/PCLKC1_6/MPI_DATA28 |
| M23 | PT57C | 1 | D29/PCLKT1_6/MPI_DATA29 | PT61C | 1 | D29/PCLKT1_6/MPI_DATA29 |
| A24 | PT57B | 1 | A9/MPI_ADDR23 | PT61B | 1 | A9/MPI_ADDR23 |
| B24 | PT57A | 1 | A10/MPI_ADDR24 | PT61A | 1 | A10/MPI_ADDR24 |
| K25 | PT56D | 1 | D30/PCLKC1_7/MPI_DATA30 | PT58D | 1 | D30/PCLKC1_7/MPI_DATA30 |
| J25 | PT56C | 1 | D31/PCLKT1_7/MPI_DATA31 | PT58C | 1 | D31/PCLKT1_7/MPI_DATA31 |
| F23 | PT56B | 1 | A11/MPI_ADDR25 | PT58B | 1 | A11/MPI_ADDR25 |
| F22 | PT56A | 1 | A12/MPI_ADDR26 | PT58A | 1 | A12/MPI_ADDR26 |
| J26 | PT55D | 1 | D11/MPI_DATA11 | PT57D | 1 | D11/MPI_DATA11 |
| K26 | PT55C | 1 | D12/MPI_DATA12 | PT57C | 1 | D12/MPI_DATA12 |
| E23 | PT55B | 1 | A13/MPI_ADDR27 | PT57B | 1 | A13/MPI_ADDR27 |
| E24 | PT55A | 1 | A14/MPI_ADDR28 | PT57A | 1 | A14/MPI_ADDR28 |
| G23 | PT53D | 1 | A16/MPI_ADDR30 | PT55D | 1 | A16/MPI_ADDR30 |
| G24 | PT53C | 1 | D13/MPI_DATA13 | PT55C | 1 | D13/MPI_DATA13 |
| F26 | PT53B | 1 | A15/MPI_ADDR29 | PT55B | 1 | A15/MPI_ADDR29 |
| F27 | PT53A | 1 | A17/MPI_ADDR31 | PT55A | 1 | A17/MPI_ADDR31 |
| H25 | PT52D | 1 | A19/MPI_TSIZ1 | PT54D | 1 | A19/MPI_TSIZ1 |
| H24 | PT52C | 1 | A20/MPI_BDIP | PT54C | 1 | A20/MPI_BDIP |
| C25 | PT52B | 1 | A18/MPI_TSIZ0 | PT54B | 1 | A18/MPI_TSIZ0 |
| C26 | PT52A | 1 | MPI_TEA | PT54A | 1 | MPI_TEA |
| K24 | PT51D | 1 | D14/MPI_DATA14 | PT51D | 1 | D14/MPI_DATA14 |
| J24 | PT51C | 1 | DP1/MPI_PAR1 | PT51C | 1 | DP1/MPI_PAR1 |
| F24 | PT51B | 1 | A21/MPI_BURST | PT51B | 1 | A21/MPI_BURST |
| F25 | PT51A | 1 | D15/MPI_DATA15 | PT51A | 1 | D15/MPI_DATA15 |
| L26 | D_REFCLKP_L | - | | D_REFCLKP_L | - | |
| M26 | D_REFCLKN_L | - | | D_REFCLKN_L | - | |
| G27 | VCC12 | - | | VCC12 | - | |
| C29 | D_VDDIB3_L | - | | D_VDDIB3_L | - | |
| F28 | VCC12 | - | | VCC12 | - | |
| D26 | D_HDINP3_L | - | PCS 363 CH 3 IN P | D_HDINP3_L | - | PCS 363 CH 3 IN P |
| E26 | D_HDINN3_L | - | PCS 363 CH 3 IN N | D_HDINN3_L | - | PCS 363 CH 3 IN N |
| B25 | D_HDOUTP3_L | - | PCS 363 CH 3 OUT P | D_HDOUTP3_L | - | PCS 363 CH 3 OUT P |
| D24 | VCC12 | - | | VCC12 | - | |
| A25 | D_HDOUTN3_L | - | PCS 363 CH 3 OUT N | D_HDOUTN3_L | - | PCS 363 CH 3 OUT N |
| E25 | D_VDDOB3_L | - | | D_VDDOB3_L | - | |

LFSC/M80, LFSC/M115 Logic Signal Connections: 1704 fcBGA^{1,2} (Cont.)

| Ball Number | LFSC/M80 | | | LFSC/M115 | | |
|-------------|---------------|------------|--------------------|---------------|------------|--------------------|
| | Ball Function | VCCIO Bank | Dual Function | Ball Function | VCCIO Bank | Dual Function |
| A26 | D_HDOURN2_L | - | PCS 363 CH 2 OUT N | D_HDOURN2_L | - | PCS 363 CH 2 OUT N |
| C34 | D_VDDOB2_L | - | | D_VDDOB2_L | - | |
| B26 | D_HDOURP2_L | - | PCS 363 CH 2 OUT P | D_HDOURP2_L | - | PCS 363 CH 2 OUT P |
| C32 | VCC12 | - | | VCC12 | - | |
| E27 | D_HDINN2_L | - | PCS 363 CH 2 IN N | D_HDINN2_L | - | PCS 363 CH 2 IN N |
| D27 | D_HDINP2_L | - | PCS 363 CH 2 IN P | D_HDINP2_L | - | PCS 363 CH 2 IN P |
| G25 | D_VDDIB2_L | - | | D_VDDIB2_L | - | |
| F29 | VCC12 | - | | VCC12 | - | |
| H26 | D_VDDIB1_L | - | | D_VDDIB1_L | - | |
| F30 | VCC12 | - | | VCC12 | - | |
| D28 | D_HDINP1_L | - | PCS 363 CH 1 IN P | D_HDINP1_L | - | PCS 363 CH 1 IN P |
| E28 | D_HDINN1_L | - | PCS 363 CH 1 IN N | D_HDINN1_L | - | PCS 363 CH 1 IN N |
| B27 | D_HDOURP1_L | - | PCS 363 CH 1 OUT P | D_HDOURP1_L | - | PCS 363 CH 1 OUT P |
| F36 | VCC12 | - | | VCC12 | - | |
| A27 | D_HDOURN1_L | - | PCS 363 CH 1 OUT N | D_HDOURN1_L | - | PCS 363 CH 1 OUT N |
| F35 | D_VDDOB1_L | - | | D_VDDOB1_L | - | |
| A28 | D_HDOURN0_L | - | PCS 363 CH 0 OUT N | D_HDOURN0_L | - | PCS 363 CH 0 OUT N |
| M30 | D_VDDOB0_L | - | | D_VDDOB0_L | - | |
| B28 | D_HDOURP0_L | - | PCS 363 CH 0 OUT P | D_HDOURP0_L | - | PCS 363 CH 0 OUT P |
| F37 | VCC12 | - | | VCC12 | - | |
| E29 | D_HDINN0_L | - | PCS 363 CH 0 IN N | D_HDINN0_L | - | PCS 363 CH 0 IN N |
| D29 | D_HDINP0_L | - | PCS 363 CH 0 IN P | D_HDINP0_L | - | PCS 363 CH 0 IN P |
| H27 | D_VDDIB0_L | - | | D_VDDIB0_L | - | |
| G28 | VCC12 | - | | VCC12 | - | |
| J28 | C_REFCLKP_L | - | | C_REFCLKP_L | - | |
| K28 | C_REFCLKN_L | - | | C_REFCLKN_L | - | |
| F32 | VCC12 | - | | VCC12 | - | |
| G29 | C_VDDIB3_L | - | | C_VDDIB3_L | - | |
| C31 | VCC12 | - | | VCC12 | - | |
| D30 | C_HDINP3_L | - | PCS 362 CH 3 IN P | C_HDINP3_L | - | PCS 362 CH 3 IN P |
| E30 | C_HDINN3_L | - | PCS 362 CH 3 IN N | C_HDINN3_L | - | PCS 362 CH 3 IN N |
| B29 | C_HDOURP3_L | - | PCS 362 CH 3 OUT P | C_HDOURP3_L | - | PCS 362 CH 3 OUT P |
| F38 | VCC12 | - | | VCC12 | - | |
| A29 | C_HDOURN3_L | - | PCS 362 CH 3 OUT N | C_HDOURN3_L | - | PCS 362 CH 3 OUT N |
| J33 | C_VDDOB3_L | - | | C_VDDOB3_L | - | |
| A30 | C_HDOURN2_L | - | PCS 362 CH 2 OUT N | C_HDOURN2_L | - | PCS 362 CH 2 OUT N |
| K33 | C_VDDOB2_L | - | | C_VDDOB2_L | - | |
| B30 | C_HDOURP2_L | - | PCS 362 CH 2 OUT P | C_HDOURP2_L | - | PCS 362 CH 2 OUT P |
| J34 | VCC12 | - | | VCC12 | - | |
| F31 | C_HDINN2_L | - | PCS 362 CH 2 IN N | C_HDINN2_L | - | PCS 362 CH 2 IN N |
| E31 | C_HDINP2_L | - | PCS 362 CH 2 IN P | C_HDINP2_L | - | PCS 362 CH 2 IN P |
| G30 | C_VDDIB2_L | - | | C_VDDIB2_L | - | |
| H28 | VCC12 | - | | VCC12 | - | |
| C37 | C_VDDIB1_L | - | | C_VDDIB1_L | - | |
| H30 | VCC12 | - | | VCC12 | - | |

LFSC/M80, LFSC/M115 Logic Signal Connections: 1704 fcBGA^{1,2} (Cont.)

| Ball Number | LFSC/M80 | | | LFSC/M115 | | |
|-------------|---------------|------------|--------------------|---------------|------------|--------------------|
| | Ball Function | VCCIO Bank | Dual Function | Ball Function | VCCIO Bank | Dual Function |
| D32 | C_HDINP1_L | - | PCS 362 CH 1 IN P | C_HDINP1_L | - | PCS 362 CH 1 IN P |
| E32 | C_HDINN1_L | - | PCS 362 CH 1 IN N | C_HDINN1_L | - | PCS 362 CH 1 IN N |
| B31 | C_HDOUTP1_L | - | PCS 362 CH 1 OUT P | C_HDOUTP1_L | - | PCS 362 CH 1 OUT P |
| K32 | VCC12 | - | | VCC12 | - | |
| A31 | C_HDOUTN1_L | - | PCS 362 CH 1 OUT N | C_HDOUTN1_L | - | PCS 362 CH 1 OUT N |
| L32 | C_VDDOB1_L | - | | C_VDDOB1_L | - | |
| A32 | C_HDOUTN0_L | - | PCS 362 CH 0 OUT N | C_HDOUTN0_L | - | PCS 362 CH 0 OUT N |
| M31 | C_VDDOB0_L | - | | C_VDDOB0_L | - | |
| B32 | C_HDOUTP0_L | - | PCS 362 CH 0 OUT P | C_HDOUTP0_L | - | PCS 362 CH 0 OUT P |
| H37 | VCC12 | - | | VCC12 | - | |
| E33 | C_HDINN0_L | - | PCS 362 CH 0 IN N | C_HDINN0_L | - | PCS 362 CH 0 IN N |
| D33 | C_HDINP0_L | - | PCS 362 CH 0 IN P | C_HDINP0_L | - | PCS 362 CH 0 IN P |
| G31 | C_VDDIB0_L | - | | C_VDDIB0_L | - | |
| J29 | VCC12 | - | | VCC12 | - | |
| L29 | B_REFCLKP_L | - | | B_REFCLKP_L | - | |
| M29 | B_REFCLKN_L | - | | B_REFCLKN_L | - | |
| J31 | VCC12 | - | | VCC12 | - | |
| H31 | B_VDDIB3_L | - | | B_VDDIB3_L | - | |
| J30 | VCC12 | - | | VCC12 | - | |
| D34 | B_HDINP3_L | - | PCS 361 CH 3 IN P | B_HDINP3_L | - | PCS 361 CH 3 IN P |
| E34 | B_HDINN3_L | - | PCS 361 CH 3 IN N | B_HDINN3_L | - | PCS 361 CH 3 IN N |
| B33 | B_HDOUTP3_L | - | PCS 361 CH 3 OUT P | B_HDOUTP3_L | - | PCS 361 CH 3 OUT P |
| H38 | VCC12 | - | | VCC12 | - | |
| A33 | B_HDOUTN3_L | - | PCS 361 CH 3 OUT N | B_HDOUTN3_L | - | PCS 361 CH 3 OUT N |
| C38 | B_VDDOB3_L | - | | B_VDDOB3_L | - | |
| A34 | B_HDOUTN2_L | - | PCS 361 CH 2 OUT N | B_HDOUTN2_L | - | PCS 361 CH 2 OUT N |
| L31 | B_VDDOB2_L | - | | B_VDDOB2_L | - | |
| B34 | B_HDOUTP2_L | - | PCS 361 CH 2 OUT P | B_HDOUTP2_L | - | PCS 361 CH 2 OUT P |
| G38 | VCC12 | - | | VCC12 | - | |
| E35 | B_HDINN2_L | - | PCS 361 CH 2 IN N | B_HDINN2_L | - | PCS 361 CH 2 IN N |
| D35 | B_HDINP2_L | - | PCS 361 CH 2 IN P | B_HDINP2_L | - | PCS 361 CH 2 IN P |
| H32 | B_VDDIB2_L | - | | B_VDDIB2_L | - | |
| K29 | VCC12 | - | | VCC12 | - | |
| K30 | B_VDDIB1_L | - | | B_VDDIB1_L | - | |
| F33 | VCC12 | - | | VCC12 | - | |
| D36 | B_HDINP1_L | - | PCS 361 CH 1 IN P | B_HDINP1_L | - | PCS 361 CH 1 IN P |
| E36 | B_HDINN1_L | - | PCS 361 CH 1 IN N | B_HDINN1_L | - | PCS 361 CH 1 IN N |
| B35 | B_HDOUTP1_L | - | PCS 361 CH 1 OUT P | B_HDOUTP1_L | - | PCS 361 CH 1 OUT P |
| L34 | VCC12 | - | | VCC12 | - | |
| A35 | B_HDOUTN1_L | - | PCS 361 CH 1 OUT N | B_HDOUTN1_L | - | PCS 361 CH 1 OUT N |
| K35 | B_VDDOB1_L | - | | B_VDDOB1_L | - | |
| A36 | B_HDOUTN0_L | - | PCS 361 CH 0 OUT N | B_HDOUTN0_L | - | PCS 361 CH 0 OUT N |
| G39 | B_VDDOB0_L | - | | B_VDDOB0_L | - | |
| B36 | B_HDOUTP0_L | - | PCS 361 CH 0 OUT P | B_HDOUTP0_L | - | PCS 361 CH 0 OUT P |
| J35 | VCC12 | - | | VCC12 | - | |

LFSC/M80, LFSC/M115 Logic Signal Connections: 1704 fcBGA^{1,2} (Cont.)

| Ball Number | LFSC/M80 | | | LFSC/M115 | | |
|-------------|---------------|------------|--------------------|---------------|------------|--------------------|
| | Ball Function | VCCIO Bank | Dual Function | Ball Function | VCCIO Bank | Dual Function |
| E37 | B_HDINN0_L | - | PCS 361 CH 0 IN N | B_HDINN0_L | - | PCS 361 CH 0 IN N |
| D37 | B_HDINP0_L | - | PCS 361 CH 0 IN P | B_HDINP0_L | - | PCS 361 CH 0 IN P |
| F34 | B_VDDIB0_L | - | | B_VDDIB0_L | - | |
| N29 | VCC12 | - | | VCC12 | - | |
| L30 | A_VDDIB3_L | - | | A_VDDIB3_L | - | |
| K31 | VCC12 | - | | VCC12 | - | |
| D38 | A_HDINP3_L | - | PCS 360 CH 3 IN P | A_HDINP3_L | - | PCS 360 CH 3 IN P |
| E38 | A_HDINN3_L | - | PCS 360 CH 3 IN N | A_HDINN3_L | - | PCS 360 CH 3 IN N |
| A37 | A_HDOUTP3_L | - | PCS 360 CH 3 OUT P | A_HDOUTP3_L | - | PCS 360 CH 3 OUT P |
| G37 | VCC12 | - | | VCC12 | - | |
| B37 | A_HDOUTN3_L | - | PCS 360 CH 3 OUT N | A_HDOUTN3_L | - | PCS 360 CH 3 OUT N |
| L33 | A_VDDOB3_L | - | | A_VDDOB3_L | - | |
| B38 | A_HDOUTN2_L | - | PCS 360 CH 2 OUT N | A_HDOUTN2_L | - | PCS 360 CH 2 OUT N |
| D41 | A_VDDOB2_L | - | | A_VDDOB2_L | - | |
| A38 | A_HDOUTP2_L | - | PCS 360 CH 2 OUT P | A_HDOUTP2_L | - | PCS 360 CH 2 OUT P |
| K34 | VCC12 | - | | VCC12 | - | |
| E39 | A_HDINN2_L | - | PCS 360 CH 2 IN N | A_HDINN2_L | - | PCS 360 CH 2 IN N |
| D39 | A_HDINP2_L | - | PCS 360 CH 2 IN P | A_HDINP2_L | - | PCS 360 CH 2 IN P |
| M32 | A_VDDIB2_L | - | | A_VDDIB2_L | - | |
| J32 | VCC12 | - | | VCC12 | - | |
| E41 | A_VDDIB1_L | - | | A_VDDIB1_L | - | |
| M33 | VCC12 | - | | VCC12 | - | |
| D40 | A_HDINP1_L | - | PCS 360 CH 1 IN P | A_HDINP1_L | - | PCS 360 CH 1 IN P |
| E40 | A_HDINN1_L | - | PCS 360 CH 1 IN N | A_HDINN1_L | - | PCS 360 CH 1 IN N |
| B39 | A_HDOUTP1_L | - | PCS 360 CH 1 OUT P | A_HDOUTP1_L | - | PCS 360 CH 1 OUT P |
| B41 | VCC12 | - | | VCC12 | - | |
| A39 | A_HDOUTN1_L | - | PCS 360 CH 1 OUT N | A_HDOUTN1_L | - | PCS 360 CH 1 OUT N |
| C41 | A_VDDOB1_L | - | | A_VDDOB1_L | - | |
| B40 | A_HDOUTN0_L | - | PCS 360 CH 0 OUT N | A_HDOUTN0_L | - | PCS 360 CH 0 OUT N |
| E42 | A_VDDOB0_L | - | | A_VDDOB0_L | - | |
| A40 | A_HDOUTP0_L | - | PCS 360 CH 0 OUT P | A_HDOUTP0_L | - | PCS 360 CH 0 OUT P |
| F42 | VCC12 | - | | VCC12 | - | |
| D42 | A_HDINN0_L | - | PCS 360 CH 0 IN N | A_HDINN0_L | - | PCS 360 CH 0 IN N |
| C42 | A_HDINP0_L | - | PCS 360 CH 0 IN P | A_HDINP0_L | - | PCS 360 CH 0 IN P |
| H39 | A_VDDIB0_L | - | | A_VDDIB0_L | - | |
| F41 | VCC12 | - | | VCC12 | - | |
| P16 | VDDAX25_R | - | | VDDAX25_R | - | |
| P27 | VDDAX25_L | - | | VDDAX25_L | - | |
| K39 | NC | - | | PL32A | 7 | |
| L39 | NC | - | | PL32B | 7 | |
| M38 | NC | - | | PL35A | 7 | |
| K40 | NC | - | | PL36A | 7 | |
| L40 | NC | - | | PL36B | 7 | |
| N37 | NC | - | | PL39A | 7 | |
| P37 | NC | - | | PL39B | 7 | |

LFSC/M80, LFSC/M115 Logic Signal Connections: 1704 fcBGA^{1,2} (Cont.)

| Ball Number | LFSC/M80 | | | LFSC/M115 | | |
|-------------|---------------|------------|---------------|---------------|------------|---------------|
| | Ball Function | VCCIO Bank | Dual Function | Ball Function | VCCIO Bank | Dual Function |
| AG38 | NC | - | | PL95A | 6 | |
| AH38 | NC | - | | PL95B | 6 | |
| AJ39 | NC | - | | PL100A | 6 | |
| AK39 | NC | - | | PL100B | 6 | |
| AL41 | NC | - | | PL105A | 6 | |
| AM41 | NC | - | | PL105B | 6 | |
| AN40 | NC | - | | PL108A | 6 | |
| AM40 | NC | - | | PL108B | 6 | |
| AM39 | NC | - | | PL111A | 6 | |
| AN39 | NC | - | | PL111B | 6 | |
| AR42 | NC | - | | PL113A | 6 | |
| AT42 | NC | - | | PL113B | 6 | |
| AT1 | NC | - | | PR113B | 3 | |
| AR1 | NC | - | | PR113A | 3 | |
| AN4 | NC | - | | PR111B | 3 | |
| AM4 | NC | - | | PR111A | 3 | |
| AM3 | NC | - | | PR108B | 3 | |
| AN3 | NC | - | | PR108A | 3 | |
| AM2 | NC | - | | PR105B | 3 | |
| AL2 | NC | - | | PR105A | 3 | |
| AK4 | NC | - | | PR100B | 3 | |
| AJ4 | NC | - | | PR100A | 3 | |
| AH5 | NC | - | | PR95B | 3 | |
| AG5 | NC | - | | PR95A | 3 | |
| P6 | NC | - | | PR39B | 2 | |
| N6 | NC | - | | PR39A | 2 | |
| L3 | NC | - | | PR36B | 2 | |
| K3 | NC | - | | PR36A | 2 | |
| M5 | NC | - | | PR35A | 2 | |
| L4 | NC | - | | PR32B | 2 | |
| K4 | NC | - | | PR32A | 2 | |
| A2 | GND | - | | GND | - | |
| A41 | GND | - | | GND | - | |
| AA20 | GND | - | | GND | - | |
| AA23 | GND | - | | GND | - | |
| AA3 | GND | - | | GND | - | |
| AA39 | GND | - | | GND | - | |
| AB20 | GND | - | | GND | - | |
| AB23 | GND | - | | GND | - | |
| AB4 | GND | - | | GND | - | |
| AB40 | GND | - | | GND | - | |
| AC17 | GND | - | | GND | - | |
| AC19 | GND | - | | GND | - | |
| AC21 | GND | - | | GND | - | |
| AC22 | GND | - | | GND | - | |

LFSC/M80, LFSC/M115 Logic Signal Connections: 1704 fcBGA^{1,2} (Cont.)

| Ball Number | LFSC/M80 | | | LFSC/M115 | | |
|-------------|---------------|------------|---------------|---------------|------------|---------------|
| | Ball Function | VCCIO Bank | Dual Function | Ball Function | VCCIO Bank | Dual Function |
| AC24 | GND | - | | GND | - | |
| AC26 | GND | - | | GND | - | |
| AC35 | GND | - | | GND | - | |
| AC8 | GND | - | | GND | - | |
| AD12 | GND | - | | GND | - | |
| AD16 | GND | - | | GND | - | |
| AD18 | GND | - | | GND | - | |
| AD20 | GND | - | | GND | - | |
| AD23 | GND | - | | GND | - | |
| AD25 | GND | - | | GND | - | |
| AD27 | GND | - | | GND | - | |
| AD31 | GND | - | | GND | - | |
| AE17 | GND | - | | GND | - | |
| AE19 | GND | - | | GND | - | |
| AE24 | GND | - | | GND | - | |
| AE26 | GND | - | | GND | - | |
| AE3 | GND | - | | GND | - | |
| AE39 | GND | - | | GND | - | |
| AF18 | GND | - | | GND | - | |
| AF20 | GND | - | | GND | - | |
| AF23 | GND | - | | GND | - | |
| AF25 | GND | - | | GND | - | |
| AF36 | GND | - | | GND | - | |
| AF7 | GND | - | | GND | - | |
| AG11 | GND | - | | GND | - | |
| AG16 | GND | - | | GND | - | |
| AG19 | GND | - | | GND | - | |
| AG24 | GND | - | | GND | - | |
| AG27 | GND | - | | GND | - | |
| AG32 | GND | - | | GND | - | |
| AH15 | GND | - | | GND | - | |
| AH28 | GND | - | | GND | - | |
| AH4 | GND | - | | GND | - | |
| AH40 | GND | - | | GND | - | |
| AJ35 | GND | - | | GND | - | |
| AJ8 | GND | - | | GND | - | |
| AK12 | GND | - | | GND | - | |
| AK31 | GND | - | | GND | - | |
| AL13 | GND | - | | GND | - | |
| AL19 | GND | - | | GND | - | |
| AL24 | GND | - | | GND | - | |
| AL3 | GND | - | | GND | - | |
| AL30 | GND | - | | GND | - | |
| AL39 | GND | - | | GND | - | |
| AM16 | GND | - | | GND | - | |

LFSC/M80, LFSC/M115 Logic Signal Connections: 1704 fcBGA^{1,2} (Cont.)

| Ball Number | LFSC/M80 | | | LFSC/M115 | | |
|-------------|---------------|------------|---------------|---------------|------------|---------------|
| | Ball Function | VCCIO Bank | Dual Function | Ball Function | VCCIO Bank | Dual Function |
| AM27 | GND | - | | GND | - | |
| AM36 | GND | - | | GND | - | |
| AM7 | GND | - | | GND | - | |
| AP4 | GND | - | | GND | - | |
| AP40 | GND | - | | GND | - | |
| AR14 | GND | - | | GND | - | |
| AR20 | GND | - | | GND | - | |
| AR23 | GND | - | | GND | - | |
| AR29 | GND | - | | GND | - | |
| AR35 | GND | - | | GND | - | |
| AR8 | GND | - | | GND | - | |
| AT11 | GND | - | | GND | - | |
| AT17 | GND | - | | GND | - | |
| AT26 | GND | - | | GND | - | |
| AT32 | GND | - | | GND | - | |
| AU3 | GND | - | | GND | - | |
| AU39 | GND | - | | GND | - | |
| AW12 | GND | - | | GND | - | |
| AW18 | GND | - | | GND | - | |
| AW22 | GND | - | | GND | - | |
| AW28 | GND | - | | GND | - | |
| AW34 | GND | - | | GND | - | |
| AW6 | GND | - | | GND | - | |
| AY15 | GND | - | | GND | - | |
| AY21 | GND | - | | GND | - | |
| AY25 | GND | - | | GND | - | |
| AY31 | GND | - | | GND | - | |
| AY37 | GND | - | | GND | - | |
| AY9 | GND | - | | GND | - | |
| B1 | GND | - | | GND | - | |
| B42 | GND | - | | GND | - | |
| BA1 | GND | - | | GND | - | |
| BA42 | GND | - | | GND | - | |
| BB2 | GND | - | | GND | - | |
| BB41 | GND | - | | GND | - | |
| C10 | GND | - | | GND | - | |
| C12 | GND | - | | GND | - | |
| C13 | GND | - | | GND | - | |
| C16 | GND | - | | GND | - | |
| C18 | GND | - | | GND | - | |
| C19 | GND | - | | GND | - | |
| C22 | GND | - | | GND | - | |
| C24 | GND | - | | GND | - | |
| C27 | GND | - | | GND | - | |
| C28 | GND | - | | GND | - | |

LFSC/M80, LFSC/M115 Logic Signal Connections: 1704 fcBGA^{1,2} (Cont.)

| Ball Number | LFSC/M80 | | | LFSC/M115 | | |
|-------------|---------------|------------|---------------|---------------|------------|---------------|
| | Ball Function | VCCIO Bank | Dual Function | Ball Function | VCCIO Bank | Dual Function |
| C3 | GND | - | | GND | - | |
| C30 | GND | - | | GND | - | |
| C33 | GND | - | | GND | - | |
| C35 | GND | - | | GND | - | |
| C36 | GND | - | | GND | - | |
| C39 | GND | - | | GND | - | |
| C4 | GND | - | | GND | - | |
| C40 | GND | - | | GND | - | |
| C7 | GND | - | | GND | - | |
| C8 | GND | - | | GND | - | |
| D15 | GND | - | | GND | - | |
| D21 | GND | - | | GND | - | |
| D25 | GND | - | | GND | - | |
| D31 | GND | - | | GND | - | |
| F4 | GND | - | | GND | - | |
| F40 | GND | - | | GND | - | |
| G11 | GND | - | | GND | - | |
| G17 | GND | - | | GND | - | |
| G26 | GND | - | | GND | - | |
| G32 | GND | - | | GND | - | |
| H14 | GND | - | | GND | - | |
| H20 | GND | - | | GND | - | |
| H23 | GND | - | | GND | - | |
| H29 | GND | - | | GND | - | |
| H35 | GND | - | | GND | - | |
| H8 | GND | - | | GND | - | |
| J3 | GND | - | | GND | - | |
| J39 | GND | - | | GND | - | |
| L16 | GND | - | | GND | - | |
| L27 | GND | - | | GND | - | |
| L36 | GND | - | | GND | - | |
| L7 | GND | - | | GND | - | |
| M19 | GND | - | | GND | - | |
| M24 | GND | - | | GND | - | |
| M4 | GND | - | | GND | - | |
| M40 | GND | - | | GND | - | |
| N12 | GND | - | | GND | - | |
| N31 | GND | - | | GND | - | |
| P35 | GND | - | | GND | - | |
| P8 | GND | - | | GND | - | |
| R15 | GND | - | | GND | - | |
| R28 | GND | - | | GND | - | |
| R3 | GND | - | | GND | - | |
| R39 | GND | - | | GND | - | |
| T11 | GND | - | | GND | - | |

LFSC/M80, LFSC/M115 Logic Signal Connections: 1704 fcBGA^{1,2} (Cont.)

| Ball Number | LFSC/M80 | | | LFSC/M115 | | |
|-------------|---------------|------------|---------------|---------------|------------|---------------|
| | Ball Function | VCCIO Bank | Dual Function | Ball Function | VCCIO Bank | Dual Function |
| T16 | GND | - | | GND | - | |
| T19 | GND | - | | GND | - | |
| T24 | GND | - | | GND | - | |
| T27 | GND | - | | GND | - | |
| T32 | GND | - | | GND | - | |
| U18 | GND | - | | GND | - | |
| U20 | GND | - | | GND | - | |
| U23 | GND | - | | GND | - | |
| U25 | GND | - | | GND | - | |
| U36 | GND | - | | GND | - | |
| U7 | GND | - | | GND | - | |
| G36 | GND | - | | GND | - | |
| G7 | GND | - | | GND | - | |
| V17 | GND | - | | GND | - | |
| V19 | GND | - | | GND | - | |
| V24 | GND | - | | GND | - | |
| V26 | GND | - | | GND | - | |
| V4 | GND | - | | GND | - | |
| V40 | GND | - | | GND | - | |
| W12 | GND | - | | GND | - | |
| W16 | GND | - | | GND | - | |
| W18 | GND | - | | GND | - | |
| W20 | GND | - | | GND | - | |
| W23 | GND | - | | GND | - | |
| W25 | GND | - | | GND | - | |
| W27 | GND | - | | GND | - | |
| W31 | GND | - | | GND | - | |
| Y17 | GND | - | | GND | - | |
| Y19 | GND | - | | GND | - | |
| Y21 | GND | - | | GND | - | |
| Y22 | GND | - | | GND | - | |
| AA17 | VCC | - | | VCC | - | |
| AA18 | VCC | - | | VCC | - | |
| AA19 | VCC | - | | VCC | - | |
| AA21 | VCC | - | | VCC | - | |
| AA22 | VCC | - | | VCC | - | |
| AA24 | VCC | - | | VCC | - | |
| AA25 | VCC | - | | VCC | - | |
| AA26 | VCC | - | | VCC | - | |
| AB17 | VCC | - | | VCC | - | |
| AB18 | VCC | - | | VCC | - | |
| AB19 | VCC | - | | VCC | - | |
| AB21 | VCC | - | | VCC | - | |
| AB22 | VCC | - | | VCC | - | |
| AB24 | VCC | - | | VCC | - | |

LFSC/M80, LFSC/M115 Logic Signal Connections: 1704 fcBGA^{1,2} (Cont.)

| Ball Number | LFSC/M80 | | | LFSC/M115 | | |
|-------------|---------------|------------|---------------|---------------|------------|---------------|
| | Ball Function | VCCIO Bank | Dual Function | Ball Function | VCCIO Bank | Dual Function |
| AB25 | VCC | - | | VCC | - | |
| AB26 | VCC | - | | VCC | - | |
| AC16 | VCC | - | | VCC | - | |
| AC18 | VCC | - | | VCC | - | |
| AC20 | VCC | - | | VCC | - | |
| AC23 | VCC | - | | VCC | - | |
| AC25 | VCC | - | | VCC | - | |
| AC27 | VCC | - | | VCC | - | |
| AD17 | VCC | - | | VCC | - | |
| AD19 | VCC | - | | VCC | - | |
| AD21 | VCC | - | | VCC | - | |
| AD22 | VCC | - | | VCC | - | |
| AD24 | VCC | - | | VCC | - | |
| AD26 | VCC | - | | VCC | - | |
| AE16 | VCC | - | | VCC | - | |
| AE18 | VCC | - | | VCC | - | |
| AE20 | VCC | - | | VCC | - | |
| AE21 | VCC | - | | VCC | - | |
| AE22 | VCC | - | | VCC | - | |
| AE23 | VCC | - | | VCC | - | |
| AE25 | VCC | - | | VCC | - | |
| AE27 | VCC | - | | VCC | - | |
| AF17 | VCC | - | | VCC | - | |
| AF19 | VCC | - | | VCC | - | |
| AF21 | VCC | - | | VCC | - | |
| AF22 | VCC | - | | VCC | - | |
| AF24 | VCC | - | | VCC | - | |
| AF26 | VCC | - | | VCC | - | |
| AG18 | VCC | - | | VCC | - | |
| AG20 | VCC | - | | VCC | - | |
| AG23 | VCC | - | | VCC | - | |
| AG25 | VCC | - | | VCC | - | |
| T18 | VCC | - | | VCC | - | |
| T20 | VCC | - | | VCC | - | |
| T23 | VCC | - | | VCC | - | |
| T25 | VCC | - | | VCC | - | |
| U17 | VCC | - | | VCC | - | |
| U19 | VCC | - | | VCC | - | |
| U21 | VCC | - | | VCC | - | |
| U22 | VCC | - | | VCC | - | |
| U24 | VCC | - | | VCC | - | |
| U26 | VCC | - | | VCC | - | |
| V16 | VCC | - | | VCC | - | |
| V18 | VCC | - | | VCC | - | |
| V20 | VCC | - | | VCC | - | |

LFSC/M80, LFSC/M115 Logic Signal Connections: 1704 fcBGA^{1,2} (Cont.)

| Ball Number | LFSC/M80 | | | LFSC/M115 | | |
|-------------|---------------|------------|---------------|---------------|------------|---------------|
| | Ball Function | VCCIO Bank | Dual Function | Ball Function | VCCIO Bank | Dual Function |
| V21 | VCC | - | | VCC | - | |
| V22 | VCC | - | | VCC | - | |
| V23 | VCC | - | | VCC | - | |
| V25 | VCC | - | | VCC | - | |
| V27 | VCC | - | | VCC | - | |
| W17 | VCC | - | | VCC | - | |
| W19 | VCC | - | | VCC | - | |
| W21 | VCC | - | | VCC | - | |
| W22 | VCC | - | | VCC | - | |
| W24 | VCC | - | | VCC | - | |
| W26 | VCC | - | | VCC | - | |
| Y16 | VCC | - | | VCC | - | |
| Y18 | VCC | - | | VCC | - | |
| Y20 | VCC | - | | VCC | - | |
| Y23 | VCC | - | | VCC | - | |
| Y25 | VCC | - | | VCC | - | |
| Y27 | VCC | - | | VCC | - | |
| AG22 | VCC12 | - | | VCC12 | - | |
| AG26 | VCC12 | - | | VCC12 | - | |
| T17 | VCC12 | - | | VCC12 | - | |
| T21 | VCC12 | - | | VCC12 | - | |
| T22 | VCC12 | - | | VCC12 | - | |
| T26 | VCC12 | - | | VCC12 | - | |
| U16 | VCC12 | - | | VCC12 | - | |
| U27 | VCC12 | - | | VCC12 | - | |
| AC15 | VCCAUX | - | | VCCAUX | - | |
| AC28 | VCCAUX | - | | VCCAUX | - | |
| AD15 | VCCAUX | - | | VCCAUX | - | |
| AD28 | VCCAUX | - | | VCCAUX | - | |
| AE15 | VCCAUX | - | | VCCAUX | - | |
| AE28 | VCCAUX | - | | VCCAUX | - | |
| AF15 | VCCAUX | - | | VCCAUX | - | |
| AF28 | VCCAUX | - | | VCCAUX | - | |
| AG15 | VCCAUX | - | | VCCAUX | - | |
| AG28 | VCCAUX | - | | VCCAUX | - | |
| AH14 | VCCAUX | - | | VCCAUX | - | |
| AH16 | VCCAUX | - | | VCCAUX | - | |
| AH17 | VCCAUX | - | | VCCAUX | - | |
| AH18 | VCCAUX | - | | VCCAUX | - | |
| AH19 | VCCAUX | - | | VCCAUX | - | |
| AH20 | VCCAUX | - | | VCCAUX | - | |
| AH23 | VCCAUX | - | | VCCAUX | - | |
| AH24 | VCCAUX | - | | VCCAUX | - | |
| AH25 | VCCAUX | - | | VCCAUX | - | |
| AH26 | VCCAUX | - | | VCCAUX | - | |

LFSC/M80, LFSC/M115 Logic Signal Connections: 1704 fcBGA^{1,2} (Cont.)

| Ball Number | LFSC/M80 | | | LFSC/M115 | | |
|-------------|---------------|------------|---------------|---------------|------------|---------------|
| | Ball Function | VCCIO Bank | Dual Function | Ball Function | VCCIO Bank | Dual Function |
| AH27 | VCCAUX | - | | VCCAUX | - | |
| AH29 | VCCAUX | - | | VCCAUX | - | |
| AJ14 | VCCAUX | - | | VCCAUX | - | |
| AJ15 | VCCAUX | - | | VCCAUX | - | |
| AJ28 | VCCAUX | - | | VCCAUX | - | |
| AJ29 | VCCAUX | - | | VCCAUX | - | |
| P14 | VCCAUX | - | | VCCAUX | - | |
| P15 | VCCAUX | - | | VCCAUX | - | |
| P28 | VCCAUX | - | | VCCAUX | - | |
| P29 | VCCAUX | - | | VCCAUX | - | |
| R14 | VCCAUX | - | | VCCAUX | - | |
| R16 | VCCAUX | - | | VCCAUX | - | |
| R17 | VCCAUX | - | | VCCAUX | - | |
| R18 | VCCAUX | - | | VCCAUX | - | |
| R19 | VCCAUX | - | | VCCAUX | - | |
| R20 | VCCAUX | - | | VCCAUX | - | |
| R23 | VCCAUX | - | | VCCAUX | - | |
| R24 | VCCAUX | - | | VCCAUX | - | |
| R25 | VCCAUX | - | | VCCAUX | - | |
| R26 | VCCAUX | - | | VCCAUX | - | |
| R27 | VCCAUX | - | | VCCAUX | - | |
| R29 | VCCAUX | - | | VCCAUX | - | |
| T15 | VCCAUX | - | | VCCAUX | - | |
| T28 | VCCAUX | - | | VCCAUX | - | |
| U15 | VCCAUX | - | | VCCAUX | - | |
| U28 | VCCAUX | - | | VCCAUX | - | |
| V15 | VCCAUX | - | | VCCAUX | - | |
| V28 | VCCAUX | - | | VCCAUX | - | |
| W15 | VCCAUX | - | | VCCAUX | - | |
| W28 | VCCAUX | - | | VCCAUX | - | |
| Y15 | VCCAUX | - | | VCCAUX | - | |
| Y28 | VCCAUX | - | | VCCAUX | - | |
| F3 | VCCIO1 | - | | VCCIO1 | - | |
| F39 | VCCIO1 | - | | VCCIO1 | - | |
| G35 | VCCIO1 | - | | VCCIO1 | - | |
| G8 | VCCIO1 | - | | VCCIO1 | - | |
| L19 | VCCIO1 | - | | VCCIO1 | - | |
| L24 | VCCIO1 | - | | VCCIO1 | - | |
| M16 | VCCIO1 | - | | VCCIO1 | - | |
| M27 | VCCIO1 | - | | VCCIO1 | - | |
| N11 | VCCIO1 | - | | VCCIO1 | - | |
| N32 | VCCIO1 | - | | VCCIO1 | - | |
| AA4 | VCCIO2 | - | | VCCIO2 | - | |
| H7 | VCCIO2 | - | | VCCIO2 | - | |
| J4 | VCCIO2 | - | | VCCIO2 | - | |

LFSC/M80, LFSC/M115 Logic Signal Connections: 1704 fcBGA^{1,2} (Cont.)

| Ball Number | LFSC/M80 | | | LFSC/M115 | | |
|-------------|---------------|------------|---------------|---------------|------------|---------------|
| | Ball Function | VCCIO Bank | Dual Function | Ball Function | VCCIO Bank | Dual Function |
| L8 | VCCIO2 | - | | VCCIO2 | - | |
| M3 | VCCIO2 | - | | VCCIO2 | - | |
| P7 | VCCIO2 | - | | VCCIO2 | - | |
| R4 | VCCIO2 | - | | VCCIO2 | - | |
| T12 | VCCIO2 | - | | VCCIO2 | - | |
| U8 | VCCIO2 | - | | VCCIO2 | - | |
| V3 | VCCIO2 | - | | VCCIO2 | - | |
| W11 | VCCIO2 | - | | VCCIO2 | - | |
| Y7 | VCCIO2 | - | | VCCIO2 | - | |
| AB3 | VCCIO3 | - | | VCCIO3 | - | |
| AC7 | VCCIO3 | - | | VCCIO3 | - | |
| AD11 | VCCIO3 | - | | VCCIO3 | - | |
| AE4 | VCCIO3 | - | | VCCIO3 | - | |
| AF8 | VCCIO3 | - | | VCCIO3 | - | |
| AG12 | VCCIO3 | - | | VCCIO3 | - | |
| AH3 | VCCIO3 | - | | VCCIO3 | - | |
| AJ7 | VCCIO3 | - | | VCCIO3 | - | |
| AK11 | VCCIO3 | - | | VCCIO3 | - | |
| AL4 | VCCIO3 | - | | VCCIO3 | - | |
| AM8 | VCCIO3 | - | | VCCIO3 | - | |
| AP3 | VCCIO3 | - | | VCCIO3 | - | |
| AR7 | VCCIO3 | - | | VCCIO3 | - | |
| AU4 | VCCIO3 | - | | VCCIO3 | - | |
| AL16 | VCCIO4 | - | | VCCIO4 | - | |
| AM13 | VCCIO4 | - | | VCCIO4 | - | |
| AM19 | VCCIO4 | - | | VCCIO4 | - | |
| AR11 | VCCIO4 | - | | VCCIO4 | - | |
| AR17 | VCCIO4 | - | | VCCIO4 | - | |
| AT14 | VCCIO4 | - | | VCCIO4 | - | |
| AT20 | VCCIO4 | - | | VCCIO4 | - | |
| AT8 | VCCIO4 | - | | VCCIO4 | - | |
| AW15 | VCCIO4 | - | | VCCIO4 | - | |
| AW21 | VCCIO4 | - | | VCCIO4 | - | |
| AW9 | VCCIO4 | - | | VCCIO4 | - | |
| AY12 | VCCIO4 | - | | VCCIO4 | - | |
| AY18 | VCCIO4 | - | | VCCIO4 | - | |
| AY6 | VCCIO4 | - | | VCCIO4 | - | |
| AL27 | VCCIO5 | - | | VCCIO5 | - | |
| AM24 | VCCIO5 | - | | VCCIO5 | - | |
| AM30 | VCCIO5 | - | | VCCIO5 | - | |
| AR26 | VCCIO5 | - | | VCCIO5 | - | |
| AR32 | VCCIO5 | - | | VCCIO5 | - | |
| AT23 | VCCIO5 | - | | VCCIO5 | - | |
| AT29 | VCCIO5 | - | | VCCIO5 | - | |
| AT35 | VCCIO5 | - | | VCCIO5 | - | |

LFSC/M80, LFSC/M115 Logic Signal Connections: 1704 fcBGA^{1,2} (Cont.)

| Ball Number | LFSC/M80 | | | LFSC/M115 | | |
|-------------|---------------|------------|---------------|---------------|------------|---------------|
| | Ball Function | VCCIO Bank | Dual Function | Ball Function | VCCIO Bank | Dual Function |
| AW25 | VCCIO5 | - | | VCCIO5 | - | |
| AW31 | VCCIO5 | - | | VCCIO5 | - | |
| AW37 | VCCIO5 | - | | VCCIO5 | - | |
| AY22 | VCCIO5 | - | | VCCIO5 | - | |
| AY28 | VCCIO5 | - | | VCCIO5 | - | |
| AY34 | VCCIO5 | - | | VCCIO5 | - | |
| AB39 | VCCIO6 | - | | VCCIO6 | - | |
| AC36 | VCCIO6 | - | | VCCIO6 | - | |
| AD32 | VCCIO6 | - | | VCCIO6 | - | |
| AE40 | VCCIO6 | - | | VCCIO6 | - | |
| AF35 | VCCIO6 | - | | VCCIO6 | - | |
| AG31 | VCCIO6 | - | | VCCIO6 | - | |
| AH39 | VCCIO6 | - | | VCCIO6 | - | |
| AJ36 | VCCIO6 | - | | VCCIO6 | - | |
| AK32 | VCCIO6 | - | | VCCIO6 | - | |
| AL40 | VCCIO6 | - | | VCCIO6 | - | |
| AM35 | VCCIO6 | - | | VCCIO6 | - | |
| AP39 | VCCIO6 | - | | VCCIO6 | - | |
| AR36 | VCCIO6 | - | | VCCIO6 | - | |
| AU40 | VCCIO6 | - | | VCCIO6 | - | |
| AA40 | VCCIO7 | - | | VCCIO7 | - | |
| H36 | VCCIO7 | - | | VCCIO7 | - | |
| J40 | VCCIO7 | - | | VCCIO7 | - | |
| L35 | VCCIO7 | - | | VCCIO7 | - | |
| M39 | VCCIO7 | - | | VCCIO7 | - | |
| P36 | VCCIO7 | - | | VCCIO7 | - | |
| R40 | VCCIO7 | - | | VCCIO7 | - | |
| T31 | VCCIO7 | - | | VCCIO7 | - | |
| U35 | VCCIO7 | - | | VCCIO7 | - | |
| V39 | VCCIO7 | - | | VCCIO7 | - | |
| W32 | VCCIO7 | - | | VCCIO7 | - | |
| Y36 | VCCIO7 | - | | VCCIO7 | - | |
| AA14 | VTT_2 | 2 | | VTT_2 | 2 | |
| AA15 | VTT_2 | 2 | | VTT_2 | 2 | |
| R12 | VTT_2 | 2 | | VTT_2 | 2 | |
| V14 | VTT_2 | 2 | | VTT_2 | 2 | |
| AB14 | VTT_3 | 3 | | VTT_3 | 3 | |
| AB15 | VTT_3 | 3 | | VTT_3 | 3 | |
| AE14 | VTT_3 | 3 | | VTT_3 | 3 | |
| AJ13 | VTT_3 | 3 | | VTT_3 | 3 | |
| AH21 | VTT_4 | 4 | | VTT_4 | 4 | |
| AJ18 | VTT_4 | 4 | | VTT_4 | 4 | |
| AJ19 | VTT_4 | 4 | | VTT_4 | 4 | |
| AJ20 | VTT_4 | 4 | | VTT_4 | 4 | |
| AJ21 | VTT_4 | 4 | | VTT_4 | 4 | |

LFSC/M80, LFSC/M115 Logic Signal Connections: 1704 fcBGA^{1,2} (Cont.)

| Ball Number | LFSC/M80 | | | LFSC/M115 | | |
|-------------|---------------|------------|---------------|---------------|------------|---------------|
| | Ball Function | VCCIO Bank | Dual Function | Ball Function | VCCIO Bank | Dual Function |
| AH22 | VTT_5 | 5 | | VTT_5 | 5 | |
| AJ22 | VTT_5 | 5 | | VTT_5 | 5 | |
| AJ23 | VTT_5 | 5 | | VTT_5 | 5 | |
| AJ24 | VTT_5 | 5 | | VTT_5 | 5 | |
| AJ25 | VTT_5 | 5 | | VTT_5 | 5 | |
| AB28 | VTT_6 | 6 | | VTT_6 | 6 | |
| AB29 | VTT_6 | 6 | | VTT_6 | 6 | |
| AE29 | VTT_6 | 6 | | VTT_6 | 6 | |
| AJ30 | VTT_6 | 6 | | VTT_6 | 6 | |
| AA28 | VTT_7 | 7 | | VTT_7 | 7 | |
| AA29 | VTT_7 | 7 | | VTT_7 | 7 | |
| R31 | VTT_7 | 7 | | VTT_7 | 7 | |
| V29 | VTT_7 | 7 | | VTT_7 | 7 | |
| Y24 | GND | - | | GND | - | |
| Y26 | GND | - | | GND | - | |
| Y8 | GND | - | | GND | - | |
| Y35 | GND | - | | GND | - | |
| AA16 | VCC12 | - | | VCC12 | - | |
| AA27 | VCC12 | - | | VCC12 | - | |
| AB16 | VCC12 | - | | VCC12 | - | |
| AB27 | VCC12 | - | | VCC12 | - | |
| AF16 | VCC12 | - | | VCC12 | - | |
| AF27 | VCC12 | - | | VCC12 | - | |
| AG17 | VCC12 | - | | VCC12 | - | |
| AG21 | VCC12 | - | | VCC12 | - | |
| G33 | NC | - | | NC | - | |
| G10 | NC | - | | NC | - | |
| M15 | NC | - | | NC | - | |
| L15 | NC | - | | NC | - | |
| K16 | NC | - | | NC | - | |
| J16 | NC | - | | NC | - | |
| M18 | NC | - | | NC | - | |
| L18 | NC | - | | NC | - | |
| M25 | NC | - | | NC | - | |
| L25 | NC | - | | NC | - | |
| J27 | NC | - | | NC | - | |
| K27 | NC | - | | NC | - | |
| L28 | NC | - | | NC | - | |
| M28 | NC | - | | NC | - | |

1. Differential pair grouping within a PIC is A (True) and B (Complement) and C (True) and D (Complement).
2. The LatticeSC/M80 and LatticeSC/M115 in a 1704-pin package supports a 32-bit MPI interface.

Thermal Management

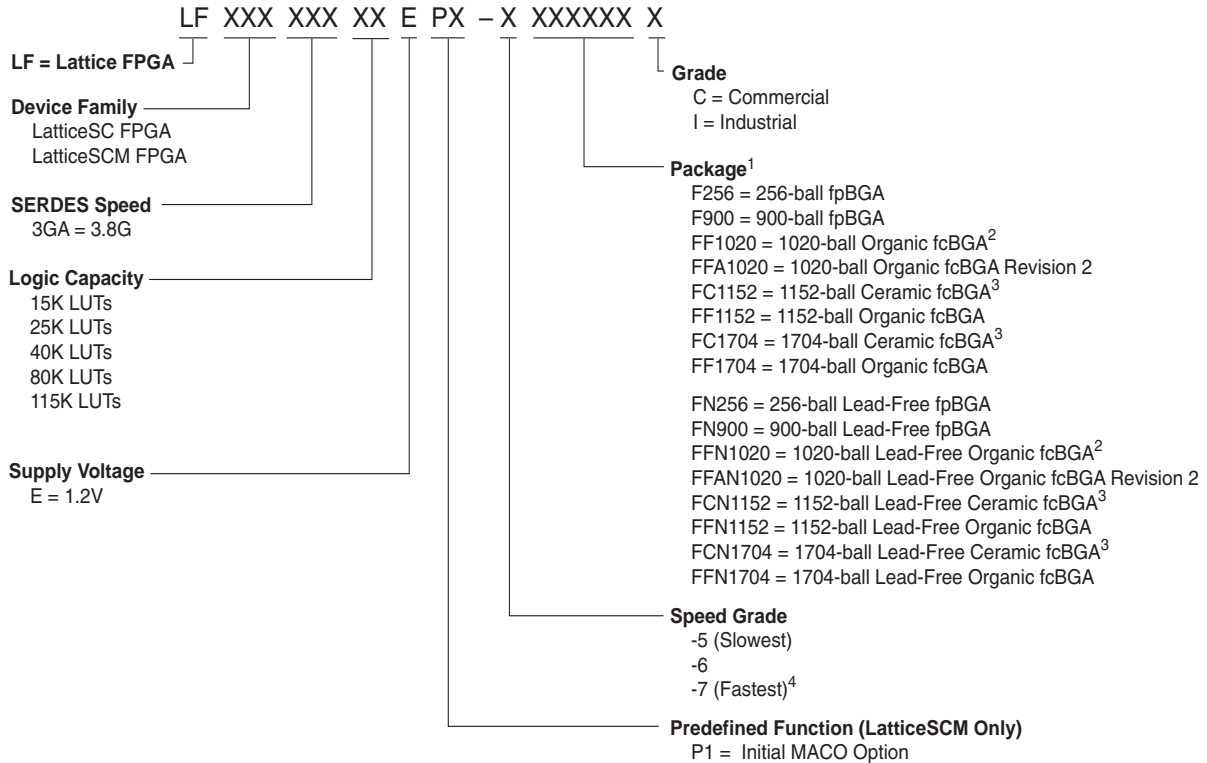
Thermal management is recommended as part of any sound FPGA design methodology. To assess the thermal characteristics of a system, Lattice specifies a maximum allowable junction temperature in all device data sheets. Designers must complete a thermal analysis of their specific design to ensure that the device and package do not exceed the junction temperature limits. Refer to the Thermal Management document to find the device/package specific thermal values.

For Further Information

For further information regarding Thermal Management, refer to the following located on the Lattice website at www.latticesemi.com.

- Thermal Management document
- Technical Note TN1101 - Power Estimation and Management for LatticeSC Devices
- Power Calculator tool included with Lattice's ispLEVER design tool, or as a standalone download from www.latticesemi.com/software

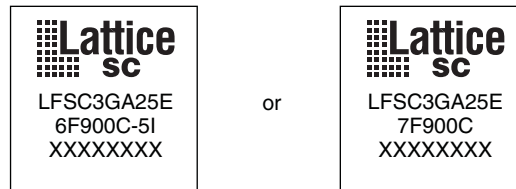
Part Number Description



1. fpBGA = 1.0 mm pitch BGA, fcBGA = 1.0 mm flip-chip BGA (organic and ceramic).
2. Converted to organic fcBGA per PCN #02A-10.
3. Converted to organic fcBGA per PCN #01A-10.
4. Not available in the LatticeSC115 and LatticeSCM115 devices.

Ordering Information

Depending on the speed and temperature grade, the device can either be dual marked or single marked. The commercial grade is one speed grade faster than the associated dual marked industrial grade. The slowest commercial speed grade does not have industrial markings. The markings appear as follows:



| Temperature Grade | Speed Grade | Single or Dual Mark? |
|-------------------|-------------|----------------------|
| Commercial | -7 | Either OK |
| | -6 | Dual Only |
| | -5 | Single Only |
| Industrial | -6 | Either OK |
| | -5 | Dual Only |

Conventional Packaging

Commercial

| Part Number | Grade | Package | Balls | Temp. | LUTs (K) |
|-------------------|-------|---------|-------|-------|----------|
| LFSC3GA15E-7F256C | -7 | fpBGA | 256 | COM | 15.2 |
| LFSC3GA15E-6F256C | -6 | fpBGA | 256 | COM | 15.2 |
| LFSC3GA15E-5F256C | -5 | fpBGA | 256 | COM | 15.2 |
| LFSC3GA15E-7F900C | -7 | fpBGA | 900 | COM | 15.2 |
| LFSC3GA15E-6F900C | -6 | fpBGA | 900 | COM | 15.2 |
| LFSC3GA15E-5F900C | -5 | fpBGA | 900 | COM | 15.2 |

| Part Number | Grade | Package | Balls | Temp. | LUTs (K) |
|----------------------|-------|---------|-------|-------|----------|
| LFSCM3GA15EP1-7F256C | -7 | fpBGA | 256 | COM | 15.2 |
| LFSCM3GA15EP1-6F256C | -6 | fpBGA | 256 | COM | 15.2 |
| LFSCM3GA15EP1-5F256C | -5 | fpBGA | 256 | COM | 15.2 |
| LFSCM3GA15EP1-7F900C | -7 | fpBGA | 900 | COM | 15.2 |
| LFSCM3GA15EP1-6F900C | -6 | fpBGA | 900 | COM | 15.2 |
| LFSCM3GA15EP1-5F900C | -5 | fpBGA | 900 | COM | 15.2 |

| Part Number | Grade | Package | Balls | Temp. | LUTs (K) |
|----------------------------------|-------|--------------------------|-------|-------|----------|
| LFSC3GA25E-7F900C | -7 | fpBGA | 900 | COM | 25.4 |
| LFSC3GA25E-6F900C | -6 | fpBGA | 900 | COM | 25.4 |
| LFSC3GA25E-5F900C | -5 | fpBGA | 900 | COM | 25.4 |
| LFSC3GA25E-7FF1020C ¹ | -7 | Organic fcBGA | 1020 | COM | 25.4 |
| LFSC3GA25E-6FF1020C ¹ | -6 | Organic fcBGA | 1020 | COM | 25.4 |
| LFSC3GA25E-5FF1020C ¹ | -5 | Organic fcBGA | 1020 | COM | 25.4 |
| LFSC3GA25E-7FFA1020C | -7 | Organic fcBGA Revision 2 | 1020 | COM | 25.4 |
| LFSC3GA25E-6FFA1020C | -6 | Organic fcBGA Revision 2 | 1020 | COM | 25.4 |
| LFSC3GA25E-5FFA1020C | -5 | Organic fcBGA Revision 2 | 1020 | COM | 25.4 |

1. Converted to organic flip-chip BGA package revision 2 per [PCN #02A-10](#).

| Part Number | Grade | Package | Balls | Temp. | LUTs (K) |
|-------------------------------------|-------|--------------------------|-------|-------|----------|
| LFSCM3GA25EP1-7F900C | -7 | fpBGA | 900 | COM | 25.4 |
| LFSCM3GA25EP1-6F900C | -6 | fpBGA | 900 | COM | 25.4 |
| LFSCM3GA25EP1-5F900C | -5 | fpBGA | 900 | COM | 25.4 |
| LFSCM3GA25EP1-7FF1020C ¹ | -7 | Organic fcBGA | 1020 | COM | 25.4 |
| LFSCM3GA25EP1-6FF1020C ¹ | -6 | Organic fcBGA | 1020 | COM | 25.4 |
| LFSCM3GA25EP1-5FF1020C ¹ | -5 | Organic fcBGA | 1020 | COM | 25.4 |
| LFSCM3GA25EP1-7FFA1020C | -7 | Organic fcBGA Revision 2 | 1020 | COM | 25.4 |
| LFSCM3GA25EP1-6FFA1020C | -6 | Organic fcBGA Revision 2 | 1020 | COM | 25.4 |
| LFSCM3GA25EP1-5FFA1020C | -5 | Organic fcBGA Revision 2 | 1020 | COM | 25.4 |

1. Converted to organic flip-chip BGA package revision 2 per [PCN #02A-10](#).

Commercial, Cont.

| Part Number | Grade | Package | Balls | Temp. | LUTs (K) |
|----------------------------------|-------|--------------------------|-------|-------|----------|
| LFSC3GA40E-7FF1020C ¹ | -7 | Organic fcBGA | 1020 | COM | 40.4 |
| LFSC3GA40E-6FF1020C ¹ | -6 | Organic fcBGA | 1020 | COM | 40.4 |
| LFSC3GA40E-5FF1020C ¹ | -5 | Organic fcBGA | 1020 | COM | 40.4 |
| LFSC3GA40E-7FFA1020C | -7 | Organic fcBGA Revision 2 | 1020 | COM | 40.4 |
| LFSC3GA40E-6FFA1020C | -6 | Organic fcBGA Revision 2 | 1020 | COM | 40.4 |
| LFSC3GA40E-5FFA1020C | -5 | Organic fcBGA Revision 2 | 1020 | COM | 40.4 |
| LFSC3GA40E-7FC1152C ² | -7 | Ceramic fcBGA | 1152 | COM | 40.4 |
| LFSC3GA40E-6FC1152C ² | -6 | Ceramic fcBGA | 1152 | COM | 40.4 |
| LFSC3GA40E-5FC1152C ² | -5 | Ceramic fcBGA | 1152 | COM | 40.4 |
| LFSC3GA40E-7FF1152C | -7 | Organic fcBGA | 1152 | COM | 40.4 |
| LFSC3GA40E-6FF1152C | -6 | Organic fcBGA | 1152 | COM | 40.4 |
| LFSC3GA40E-5FF1152C | -5 | Organic fcBGA | 1152 | COM | 40.4 |

1. Converted to organic flip-chip BGA package revision 2 per [PCN #02A-10](#).

2. Converted to organic flip-chip BGA package per [PCN #01A-10](#).

| Part Number | Grade | Package | Balls | Temp. | LUTs (K) |
|-------------------------------------|-------|--------------------------|-------|-------|----------|
| LFSCM3GA40EP1-7FF1020C ¹ | -7 | Organic fcBGA | 1020 | COM | 40.4 |
| LFSCM3GA40EP1-6FF1020C ¹ | -6 | Organic fcBGA | 1020 | COM | 40.4 |
| LFSCM3GA40EP1-5FF1020C ¹ | -5 | Organic fcBGA | 1020 | COM | 40.4 |
| LFSCM3GA40EP1-7FFA1020C | -7 | Organic fcBGA Revision 2 | 1020 | COM | 40.4 |
| LFSCM3GA40EP1-6FFA1020C | -6 | Organic fcBGA Revision 2 | 1020 | COM | 40.4 |
| LFSCM3GA40EP1-5FFA1020C | -5 | Organic fcBGA Revision 2 | 1020 | COM | 40.4 |
| LFSCM3GA40EP1-7FC1152C ² | -7 | Ceramic fcBGA | 1152 | COM | 40.4 |
| LFSCM3GA40EP1-6FC1152C ² | -6 | Ceramic fcBGA | 1152 | COM | 40.4 |
| LFSCM3GA40EP1-5FC1152C ² | -5 | Ceramic fcBGA | 1152 | COM | 40.4 |
| LFSCM3GA40EP1-7FF1152C | -7 | Organic fcBGA | 1152 | COM | 40.4 |
| LFSCM3GA40EP1-6FF1152C | -6 | Organic fcBGA | 1152 | COM | 40.4 |
| LFSCM3GA40EP1-5FF1152C | -5 | Organic fcBGA | 1152 | COM | 40.4 |

1. Converted to organic flip-chip BGA package revision 2 per [PCN #02A-10](#).

2. Converted to organic flip-chip BGA package per [PCN #01A-10](#).

Commercial, Cont.

| Part Number | Grade | Package | Balls | Temp. | LUTs (K) |
|----------------------------------|-------|---------------|-------|-------|----------|
| LFSC3GA80E-7FC1152C ¹ | -7 | Ceramic fcBGA | 1152 | COM | 80.1 |
| LFSC3GA80E-6FC1152C ¹ | -6 | Ceramic fcBGA | 1152 | COM | 80.1 |
| LFSC3GA80E-5FC1152C ¹ | -5 | Ceramic fcBGA | 1152 | COM | 80.1 |
| LFSC3GA80E-7FF1152C | -7 | Organic fcBGA | 1152 | COM | 80.1 |
| LFSC3GA80E-6FF1152C | -6 | Organic fcBGA | 1152 | COM | 80.1 |
| LFSC3GA80E-5FF1152C | -5 | Organic fcBGA | 1152 | COM | 80.1 |
| LFSC3GA80E-7FC1704C ¹ | -7 | Ceramic fcBGA | 1704 | COM | 80.1 |
| LFSC3GA80E-6FC1704C ¹ | -6 | Ceramic fcBGA | 1704 | COM | 80.1 |
| LFSC3GA80E-5FC1704C ¹ | -5 | Ceramic fcBGA | 1704 | COM | 80.1 |
| LFSC3GA80E-7FF1704C | -7 | Organic fcBGA | 1704 | COM | 80.1 |
| LFSC3GA80E-6FF1704C | -6 | Organic fcBGA | 1704 | COM | 80.1 |
| LFSC3GA80E-5FF1704C | -5 | Organic fcBGA | 1704 | COM | 80.1 |

1. Converted to organic flip-chip BGA package per [PCN #01A-10](#).

| Part Number | Grade | Package | Balls | Temp. | LUTs (K) |
|-------------------------------------|-------|---------------|-------|-------|----------|
| LFSCM3GA80EP1-7FC1152C ¹ | -7 | Ceramic fcBGA | 1152 | COM | 80.1 |
| LFSCM3GA80EP1-6FC1152C ¹ | -6 | Ceramic fcBGA | 1152 | COM | 80.1 |
| LFSCM3GA80EP1-5FC1152C ¹ | -5 | Ceramic fcBGA | 1152 | COM | 80.1 |
| LFSCM3GA80EP1-7FF1152C | -7 | Organic fcBGA | 1152 | COM | 80.1 |
| LFSCM3GA80EP1-6FF1152C | -6 | Organic fcBGA | 1152 | COM | 80.1 |
| LFSCM3GA80EP1-5FF1152C | -5 | Organic fcBGA | 1152 | COM | 80.1 |
| LFSCM3GA80EP1-7FC1704C ¹ | -7 | Ceramic fcBGA | 1704 | COM | 80.1 |
| LFSCM3GA80EP1-6FC1704C ¹ | -6 | Ceramic fcBGA | 1704 | COM | 80.1 |
| LFSCM3GA80EP1-5FC1704C ¹ | -5 | Ceramic fcBGA | 1704 | COM | 80.1 |
| LFSCM3GA80EP1-7FF1704C | -7 | Organic fcBGA | 1704 | COM | 80.1 |
| LFSCM3GA80EP1-6FF1704C | -6 | Organic fcBGA | 1704 | COM | 80.1 |
| LFSCM3GA80EP1-5FF1704C | -5 | Organic fcBGA | 1704 | COM | 80.1 |

1. Converted to organic flip-chip BGA package per [PCN #01A-10](#).

| Part Number | Grade | Package | Balls | Temp. | LUTs (K) |
|-----------------------------------|-------|---------------|-------|-------|----------|
| LFSC3GA115E-6FC1152C ¹ | -6 | Ceramic fcBGA | 1152 | COM | 115.2 |
| LFSC3GA115E-5FC1152C ¹ | -5 | Ceramic fcBGA | 1152 | COM | 115.2 |
| LFSC3GA115E-6FF1152C | -6 | Organic fcBGA | 1152 | COM | 115.2 |
| LFSC3GA115E-5FF1152C | -5 | Organic fcBGA | 1152 | COM | 115.2 |
| LFSC3GA115E-6FC1704C ¹ | -6 | Ceramic fcBGA | 1704 | COM | 115.2 |
| LFSC3GA115E-5FC1704C ¹ | -5 | Ceramic fcBGA | 1704 | COM | 115.2 |
| LFSC3GA115E-6FF1704C | -6 | Organic fcBGA | 1704 | COM | 115.2 |
| LFSC3GA115E-5FF1704C | -5 | Organic fcBGA | 1704 | COM | 115.2 |

1. Converted to organic flip-chip BGA package per [PCN #01A-10](#).

Commercial, Cont.

| Part Number | Grade | Package | Balls | Temp. | LUTs (K) |
|--------------------------------------|-------|---------------|-------|-------|----------|
| LFSCM3GA115EP1-6FC1152C ¹ | -6 | Ceramic fcBGA | 1152 | COM | 115.2 |
| LFSCM3GA115EP1-5FC1152C ¹ | -5 | Ceramic fcBGA | 1152 | COM | 115.2 |
| LFSCM3GA115EP1-6FF1152C | -6 | Organic fcBGA | 1152 | COM | 115.2 |
| LFSCM3GA115EP1-5FF1152C | -5 | Organic fcBGA | 1152 | COM | 115.2 |
| LFSCM3GA115EP1-6FC1704C ¹ | -6 | Ceramic fcBGA | 1704 | COM | 115.2 |
| LFSCM3GA115EP1-5FC1704C ¹ | -5 | Ceramic fcBGA | 1704 | COM | 115.2 |
| LFSCM3GA115EP1-6FF1704C | -6 | Organic fcBGA | 1704 | COM | 115.2 |
| LFSCM3GA115EP1-5FF1704C | -5 | Organic fcBGA | 1704 | COM | 115.2 |

1. Converted to organic flip-chip BGA package per [PCN #01A-10](#).

Industrial

| Part Number | Grade | Package | Balls | Temp. | LUTs (K) |
|-------------------|-------|---------|-------|-------|----------|
| LFSC3GA15E-6F256I | -6 | fpBGA | 256 | IND | 15.2 |
| LFSC3GA15E-5F256I | -5 | fpBGA | 256 | IND | 15.2 |
| LFSC3GA15E-6F900I | -6 | fpBGA | 900 | IND | 15.2 |
| LFSC3GA15E-5F900I | -5 | fpBGA | 900 | IND | 15.2 |

| Part Number | Grade | Package | Balls | Temp. | LUTs (K) |
|----------------------|-------|---------|-------|-------|----------|
| LFSCM3GA15EP1-6F256I | -6 | fpBGA | 256 | IND | 15.2 |
| LFSCM3GA15EP1-5F256I | -5 | fpBGA | 256 | IND | 15.2 |
| LFSCM3GA15EP1-6F900I | -6 | fpBGA | 900 | IND | 15.2 |
| LFSCM3GA15EP1-5F900I | -5 | fpBGA | 900 | IND | 15.2 |

| Part Number | Grade | Package | Balls | Temp. | LUTs (K) |
|----------------------------------|-------|--------------------------|-------|-------|----------|
| LFSC3GA25E-6F900I | -6 | fpBGA | 900 | IND | 25.4 |
| LFSC3GA25E-5F900I | -5 | fpBGA | 900 | IND | 25.4 |
| LFSC3GA25E-6FF1020I ¹ | -6 | Organic fcBGA | 1020 | IND | 25.4 |
| LFSC3GA25E-5FF1020I ¹ | -5 | Organic fcBGA | 1020 | IND | 25.4 |
| LFSC3GA25E-6FFA1020I | -6 | Organic fcBGA Revision 2 | 1020 | IND | 25.4 |
| LFSC3GA25E-5FFA1020I | -5 | Organic fcBGA Revision 2 | 1020 | IND | 25.4 |

1. Converted to organic flip-chip BGA package revision 2 per [PCN #02A-10](#).

| Part Number | Grade | Package | Balls | Temp. | LUTs (K) |
|-------------------------------------|-------|--------------------------|-------|-------|----------|
| LFSCM3GA25EP1-6F900I | -6 | fpBGA | 900 | IND | 25.4 |
| LFSCM3GA25EP1-5F900I | -5 | fpBGA | 900 | IND | 25.4 |
| LFSCM3GA25EP1-6FF1020I ¹ | -6 | Organic fcBGA | 1020 | IND | 25.4 |
| LFSCM3GA25EP1-5FF1020I ¹ | -5 | Organic fcBGA | 1020 | IND | 25.4 |
| LFSCM3GA25EP1-6FFA1020I | -6 | Organic fcBGA Revision 2 | 1020 | IND | 25.4 |
| LFSCM3GA25EP1-5FFA1020I | -5 | Organic fcBGA Revision 2 | 1020 | IND | 25.4 |

1. Converted to organic flip-chip BGA package revision 2 per [PCN #02A-10](#).

| Part Number | Grade | Package | Balls | Temp. | LUTs (K) |
|----------------------------------|-------|--------------------------|-------|-------|----------|
| LFSC3GA40E-6FF1020I ¹ | -6 | Organic fcBGA | 1020 | IND | 40.4 |
| LFSC3GA40E-5FF1020I ¹ | -5 | Organic fcBGA | 1020 | IND | 40.4 |
| LFSC3GA40E-6FFA1020I | -6 | Organic fcBGA Revision 2 | 1020 | IND | 40.4 |
| LFSC3GA40E-5FFA1020I | -5 | Organic fcBGA Revision 2 | 1020 | IND | 40.4 |
| LFSC3GA40E-6FC1152I ² | -6 | Ceramic fcBGA | 1152 | IND | 40.4 |
| LFSC3GA40E-5FC1152I ² | -5 | Ceramic fcBGA | 1152 | IND | 40.4 |
| LFSC3GA40E-6FF1152I | -6 | Organic fcBGA | 1152 | IND | 40.4 |
| LFSC3GA40E-5FF1152I | -5 | Organic fcBGA | 1152 | IND | 40.4 |

1. Converted to organic flip-chip BGA package revision 2 per [PCN #02A-10](#).

2. Converted to organic flip-chip BGA package per [PCN #01A-10](#).

Industrial, Cont.

| Part Number | Grade | Package | Balls | Temp. | LUTs (K) |
|-------------------------------------|-------|--------------------------|-------|-------|----------|
| LFSCM3GA40EP1-6FF1020I ¹ | -6 | Organic fcBGA | 1020 | IND | 40.4 |
| LFSCM3GA40EP1-5FF1020I ¹ | -5 | Organic fcBGA | 1020 | IND | 40.4 |
| LFSCM3GA40EP1-6FFA1020I | -6 | Organic fcBGA Revision 2 | 1020 | IND | 40.4 |
| LFSCM3GA40EP1-5FFA1020I | -5 | Organic fcBGA Revision 2 | 1020 | IND | 40.4 |
| LFSCM3GA40EP1-6FC1152I ² | -6 | Ceramic fcBGA | 1152 | IND | 40.4 |
| LFSCM3GA40EP1-5FC1152I ² | -5 | Ceramic fcBGA | 1152 | IND | 40.4 |
| LFSCM3GA40EP1-6FF1152I | -6 | Organic fcBGA | 1152 | IND | 40.4 |
| LFSCM3GA40EP1-5FF1152I | -5 | Organic fcBGA | 1152 | IND | 40.4 |

1. Converted to organic flip-chip BGA package revision 2 per [PCN #02A-10](#).
2. Converted to organic flip-chip BGA package per [PCN #01A-10](#).

| Part Number | Grade | Package | Balls | Temp. | LUTs (K) |
|----------------------------------|-------|---------------|-------|-------|----------|
| LFSC3GA80E-6FC1152I ¹ | -6 | Ceramic fcBGA | 1152 | IND | 80.1 |
| LFSC3GA80E-5FC1152I ¹ | -5 | Ceramic fcBGA | 1152 | IND | 80.1 |
| LFSC3GA80E-6FF1152I | -6 | Organic fcBGA | 1152 | IND | 80.1 |
| LFSC3GA80E-5FF1152I | -5 | Organic fcBGA | 1152 | IND | 80.1 |
| LFSC3GA80E-6FC1704I ¹ | -6 | Ceramic fcBGA | 1704 | IND | 80.1 |
| LFSC3GA80E-5FC1704I ¹ | -5 | Ceramic fcBGA | 1704 | IND | 80.1 |
| LFSC3GA80E-6FF1704I | -6 | Organic fcBGA | 1704 | IND | 80.1 |
| LFSC3GA80E-5FF1704I | -5 | Organic fcBGA | 1704 | IND | 80.1 |

1. Converted to organic flip-chip BGA package per [PCN #01A-10](#).

| Part Number | Grade | Package | Balls | Temp. | LUTs (K) |
|-------------------------------------|-------|---------------|-------|-------|----------|
| LFSCM3GA80EP1-6FC1152I ¹ | -6 | Ceramic fcBGA | 1152 | IND | 80.1 |
| LFSCM3GA80EP1-5FC1152I ¹ | -5 | Ceramic fcBGA | 1152 | IND | 80.1 |
| LFSCM3GA80EP1-6FF1152I | -6 | Organic fcBGA | 1152 | IND | 80.1 |
| LFSCM3GA80EP1-5FF1152I | -5 | Organic fcBGA | 1152 | IND | 80.1 |
| LFSCM3GA80EP1-6FC1704I ¹ | -6 | Ceramic fcBGA | 1704 | IND | 80.1 |
| LFSCM3GA80EP1-5FC1704I ¹ | -5 | Ceramic fcBGA | 1704 | IND | 80.1 |
| LFSCM3GA80EP1-6FF1704I | -6 | Organic fcBGA | 1704 | IND | 80.1 |
| LFSCM3GA80EP1-5FF1704I | -5 | Organic fcBGA | 1704 | IND | 80.1 |

1. Converted to organic flip-chip BGA package per [PCN #01A-10](#).

Industrial, Cont.

| Part Number | Grade | Package | Balls | Temp. | LUTs (K) |
|-----------------------------------|-------|---------------|-------|-------|----------|
| LFSC3GA115E-6FC1152I ¹ | -6 | Ceramic fcBGA | 1152 | IND | 115.2 |
| LFSC3GA115E-5FC1152I ¹ | -5 | Ceramic fcBGA | 1152 | IND | 115.2 |
| LFSC3GA115E-6FF1152I | -6 | Organic fcBGA | 1152 | IND | 115.2 |
| LFSC3GA115E-5FF1152I | -5 | Organic fcBGA | 1152 | IND | 115.2 |
| LFSC3GA115E-6FC1704I ¹ | -6 | Ceramic fcBGA | 1704 | IND | 115.2 |
| LFSC3GA115E-5FC1704I ¹ | -5 | Ceramic fcBGA | 1704 | IND | 115.2 |
| LFSC3GA115E-6FF1704I | -6 | Organic fcBGA | 1704 | IND | 115.2 |
| LFSC3GA115E-5FF1704I | -5 | Organic fcBGA | 1704 | IND | 115.2 |

1. Converted to organic flip-chip BGA package per [PCN #01A-10](#).

| Part Number | Grade | Package | Balls | Temp. | LUTs (K) |
|--------------------------------------|-------|---------------|-------|-------|----------|
| LFSCM3GA115EP1-6FC1152I ¹ | -6 | Ceramic fcBGA | 1152 | IND | 115.2 |
| LFSCM3GA115EP1-5FC1152I ¹ | -5 | Ceramic fcBGA | 1152 | IND | 115.2 |
| LFSCM3GA115EP1-6FF1152I | -6 | Organic fcBGA | 1152 | IND | 115.2 |
| LFSCM3GA115EP1-5FF1152I | -5 | Organic fcBGA | 1152 | IND | 115.2 |
| LFSCM3GA115EP1-6FC1704I ¹ | -6 | Ceramic fcBGA | 1704 | IND | 115.2 |
| LFSCM3GA115EP1-5FC1704I ¹ | -5 | Ceramic fcBGA | 1704 | IND | 115.2 |
| LFSCM3GA115EP1-6FF1704I | -6 | Organic fcBGA | 1704 | IND | 115.2 |
| LFSCM3GA115EP1-5FF1704I | -5 | Organic fcBGA | 1704 | IND | 115.2 |

1. Converted to organic flip-chip BGA package per [PCN #01A-10](#).

Lead-Free Packaging**Commercial**

| Part Number | Grade | Package | Balls | Temp. | LUTs (K) |
|--------------------|-------|-----------------|-------|-------|----------|
| LFSC3GA15E-7FN256C | -7 | Lead-Free fpBGA | 256 | COM | 15.2 |
| LFSC3GA15E-6FN256C | -6 | Lead-Free fpBGA | 256 | COM | 15.2 |
| LFSC3GA15E-5FN256C | -5 | Lead-Free fpBGA | 256 | COM | 15.2 |
| LFSC3GA15E-7FN900C | -7 | Lead-Free fpBGA | 900 | COM | 15.2 |
| LFSC3GA15E-6FN900C | -6 | Lead-Free fpBGA | 900 | COM | 15.2 |
| LFSC3GA15E-5FN900C | -5 | Lead-Free fpBGA | 900 | COM | 15.2 |

| Part Number | Grade | Package | Balls | Temp. | LUTs (K) |
|-----------------------|-------|-----------------|-------|-------|----------|
| LFSCM3GA15EP1-7FN256C | -7 | Lead-Free fpBGA | 256 | COM | 15.2 |
| LFSCM3GA15EP1-6FN256C | -6 | Lead-Free fpBGA | 256 | COM | 15.2 |
| LFSCM3GA15EP1-5FN256C | -5 | Lead-Free fpBGA | 256 | COM | 15.2 |
| LFSCM3GA15EP1-7FN900C | -7 | Lead-Free fpBGA | 900 | COM | 15.2 |
| LFSCM3GA15EP1-6FN900C | -6 | Lead-Free fpBGA | 900 | COM | 15.2 |
| LFSCM3GA15EP1-5FN900C | -5 | Lead-Free fpBGA | 900 | COM | 15.2 |

| Part Number | Grade | Package | Balls | Temp. | LUTs (K) |
|-----------------------------------|-------|------------------------------------|-------|-------|----------|
| LFSC3GA25E-7FN900C | -7 | Lead-Free fpBGA | 900 | COM | 25.4 |
| LFSC3GA25E-6FN900C | -6 | Lead-Free fpBGA | 900 | COM | 25.4 |
| LFSC3GA25E-5FN900C | -5 | Lead-Free fpBGA | 900 | COM | 25.4 |
| LFSC3GA25E-7FFN1020C ¹ | -7 | Lead-Free Organic fcBGA | 1020 | COM | 25.4 |
| LFSC3GA25E-6FFN1020C ¹ | -6 | Lead-Free Organic fcBGA | 1020 | COM | 25.4 |
| LFSC3GA25E-5FFN1020C ¹ | -5 | Lead-Free Organic fcBGA | 1020 | COM | 25.4 |
| LFSC3GA25E-7FFAN1020C | -7 | Lead-Free Organic fcBGA Revision 2 | 1020 | COM | 25.4 |
| LFSC3GA25E-6FFAN1020C | -6 | Lead-Free Organic fcBGA Revision 2 | 1020 | COM | 25.4 |
| LFSC3GA25E-5FFAN1020C | -5 | Lead-Free Organic fcBGA Revision 2 | 1020 | COM | 25.4 |

1. Converted to organic flip-chip BGA package revision 2 per [PCN #02A-10](#).

| Part Number | Grade | Package | Balls | Temp. | LUTs (K) |
|--------------------------------------|-------|------------------------------------|-------|-------|----------|
| LFSCM3GA25EP1-7FN900C | -7 | Lead-Free fpBGA | 900 | COM | 25.4 |
| LFSCM3GA25EP1-6FN900C | -6 | Lead-Free fpBGA | 900 | COM | 25.4 |
| LFSCM3GA25EP1-5FN900C | -5 | Lead-Free fpBGA | 900 | COM | 25.4 |
| LFSCM3GA25EP1-7FFN1020C ¹ | -7 | Lead-Free Organic fcBGA | 1020 | COM | 25.4 |
| LFSCM3GA25EP1-6FFN1020C ¹ | -6 | Lead-Free Organic fcBGA | 1020 | COM | 25.4 |
| LFSCM3GA25EP1-5FFN1020C ¹ | -5 | Lead-Free Organic fcBGA | 1020 | COM | 25.4 |
| LFSCM3GA25EP1-7FFAN1020C | -7 | Lead-Free Organic fcBGA Revision 2 | 1020 | COM | 25.4 |
| LFSCM3GA25EP1-6FFAN1020C | -6 | Lead-Free Organic fcBGA Revision 2 | 1020 | COM | 25.4 |
| LFSCM3GA25EP1-5FFAN1020C | -5 | Lead-Free Organic fcBGA Revision 2 | 1020 | COM | 25.4 |

1. Converted to organic flip-chip BGA package revision 2 per [PCN #02A-10](#).

Commercial, Cont.

| Part Number | Grade | Package | Balls | Temp. | LUTs (K) |
|-----------------------------------|-------|------------------------------------|-------|-------|----------|
| LFSC3GA40E-7FFN1020C ¹ | -7 | Lead-Free Organic fcBGA | 1020 | COM | 40.4 |
| LFSC3GA40E-6FFN1020C ¹ | -6 | Lead-Free Organic fcBGA | 1020 | COM | 40.4 |
| LFSC3GA40E-5FFN1020C ¹ | -5 | Lead-Free Organic fcBGA | 1020 | COM | 40.4 |
| LFSC3GA40E-7FFAN1020C | -7 | Lead-Free Organic fcBGA Revision 2 | 1020 | COM | 40.4 |
| LFSC3GA40E-6FFAN1020C | -6 | Lead-Free Organic fcBGA Revision 2 | 1020 | COM | 40.4 |
| LFSC3GA40E-5FFAN1020C | -5 | Lead-Free Organic fcBGA Revision 2 | 1020 | COM | 40.4 |
| LFSC3GA40E-7FCN1152C ² | -7 | Lead-Free Ceramic fcBGA | 1152 | COM | 40.4 |
| LFSC3GA40E-6FCN1152C ² | -6 | Lead-Free Ceramic fcBGA | 1152 | COM | 40.4 |
| LFSC3GA40E-5FCN1152C ² | -5 | Lead-Free Ceramic fcBGA | 1152 | COM | 40.4 |
| LFSC3GA40E-7FFN1152C | -7 | Lead-Free Organic fcBGA | 1152 | COM | 40.4 |
| LFSC3GA40E-6FFN1152C | -6 | Lead-Free Organic fcBGA | 1152 | COM | 40.4 |
| LFSC3GA40E-5FFN1152C | -5 | Lead-Free Organic fcBGA | 1152 | COM | 40.4 |

1. Converted to organic flip-chip BGA package revision 2 per [PCN #02A-10](#).

2. Converted to organic flip-chip BGA package per [PCN #01A-10](#).

| Part Number | Grade | Package | Balls | Temp. | LUTs (K) |
|--------------------------------------|-------|--------------------------|-------|-------|----------|
| LFSCM3GA40EP1-7FFN1020C ¹ | -7 | Organic fcBGA | 1020 | COM | 40.4 |
| LFSCM3GA40EP1-6FFN1020C ¹ | -6 | Organic fcBGA | 1020 | COM | 40.4 |
| LFSCM3GA40EP1-5FFN1020C ¹ | -5 | Organic fcBGA | 1020 | COM | 40.4 |
| LFSCM3GA40EP1-7FFAN1020C | -7 | Organic fcBGA Revision 2 | 1020 | COM | 40.4 |
| LFSCM3GA40EP1-6FFAN1020C | -6 | Organic fcBGA Revision 2 | 1020 | COM | 40.4 |
| LFSCM3GA40EP1-5FFAN1020C | -5 | Organic fcBGA Revision 2 | 1020 | COM | 40.4 |
| LFSCM3GA40EP1-7FCN1152C ² | -7 | Ceramic fcBGA | 1152 | COM | 40.4 |
| LFSCM3GA40EP1-6FCN1152C ² | -6 | Ceramic fcBGA | 1152 | COM | 40.4 |
| LFSCM3GA40EP1-5FCN1152C ² | -5 | Ceramic fcBGA | 1152 | COM | 40.4 |
| LFSCM3GA40EP1-7FFN1152C | -7 | Organic fcBGA | 1152 | COM | 40.4 |
| LFSCM3GA40EP1-6FFN1152C | -6 | Organic fcBGA | 1152 | COM | 40.4 |
| LFSCM3GA40EP1-5FFN1152C | -5 | Organic fcBGA | 1152 | COM | 40.4 |

1. Converted to organic flip-chip BGA package revision 2 per [PCN #02A-10](#).

2. Converted to organic flip-chip BGA package per [PCN #01A-10](#).

Commercial, Cont.

| Part Number | Grade | Package | Balls | Temp. | LUTs (K) |
|-----------------------------------|-------|-------------------------|-------|-------|----------|
| LFSC3GA80E-7FCN1152C ¹ | -7 | Lead-Free Ceramic fcBGA | 1152 | COM | 80.1 |
| LFSC3GA80E-6FCN1152C ¹ | -6 | Lead-Free Ceramic fcBGA | 1152 | COM | 80.1 |
| LFSC3GA80E-5FCN1152C ¹ | -5 | Lead-Free Ceramic fcBGA | 1152 | COM | 80.1 |
| LFSC3GA80E-7FFN1152C | -7 | Lead-Free Organic fcBGA | 1152 | COM | 80.1 |
| LFSC3GA80E-6FFN1152C | -6 | Lead-Free Organic fcBGA | 1152 | COM | 80.1 |
| LFSC3GA80E-5FFN1152C | -5 | Lead-Free Organic fcBGA | 1152 | COM | 80.1 |
| LFSC3GA80E-7FCN1704C ¹ | -7 | Lead-Free Ceramic fcBGA | 1704 | COM | 80.1 |
| LFSC3GA80E-6FCN1704C ¹ | -6 | Lead-Free Ceramic fcBGA | 1704 | COM | 80.1 |
| LFSC3GA80E-5FCN1704C ¹ | -5 | Lead-Free Ceramic fcBGA | 1704 | COM | 80.1 |
| LFSC3GA80E-7FFN1704C | -7 | Lead-Free Organic fcBGA | 1704 | COM | 80.1 |
| LFSC3GA80E-6FFN1704C | -6 | Lead-Free Organic fcBGA | 1704 | COM | 80.1 |
| LFSC3GA80E-5FFN1704C | -5 | Lead-Free Organic fcBGA | 1704 | COM | 80.1 |

1. Converted to organic flip-chip BGA package per [PCN #01A-10](#).

| Part Number | Grade | Package | Balls | Temp. | LUTs (K) |
|--------------------------------------|-------|-------------------------|-------|-------|----------|
| LFSCM3GA80EP1-7FCN1152C ¹ | -7 | Lead-Free Ceramic fcBGA | 1152 | COM | 80.1 |
| LFSCM3GA80EP1-6FCN1152C ¹ | -6 | Lead-Free Ceramic fcBGA | 1152 | COM | 80.1 |
| LFSCM3GA80EP1-5FCN1152C ¹ | -5 | Lead-Free Ceramic fcBGA | 1152 | COM | 80.1 |
| LFSCM3GA80EP1-7FFN1152C | -7 | Lead-Free Organic fcBGA | 1152 | COM | 80.1 |
| LFSCM3GA80EP1-6FFN1152C | -6 | Lead-Free Organic fcBGA | 1152 | COM | 80.1 |
| LFSCM3GA80EP1-5FFN1152C | -5 | Lead-Free Organic fcBGA | 1152 | COM | 80.1 |
| LFSCM3GA80EP1-7FCN1704C ¹ | -7 | Lead-Free Ceramic fcBGA | 1704 | COM | 80.1 |
| LFSCM3GA80EP1-6FCN1704C ¹ | -6 | Lead-Free Ceramic fcBGA | 1704 | COM | 80.1 |
| LFSCM3GA80EP1-5FCN1704C ¹ | -5 | Lead-Free Ceramic fcBGA | 1704 | COM | 80.1 |
| LFSCM3GA80EP1-7FFN1704C | -7 | Lead-Free Organic fcBGA | 1704 | COM | 80.1 |
| LFSCM3GA80EP1-6FFN1704C | -6 | Lead-Free Organic fcBGA | 1704 | COM | 80.1 |
| LFSCM3GA80EP1-5FFN1704C | -5 | Lead-Free Organic fcBGA | 1704 | COM | 80.1 |

1. Converted to organic flip-chip BGA package per [PCN #01A-10](#).

| Part Number | Grade | Package | Balls | Temp. | LUTs (K) |
|------------------------------------|-------|-------------------------|-------|-------|----------|
| LFSC3GA115E-6FCN1152C ¹ | -6 | Lead-Free Ceramic fcBGA | 1152 | COM | 115.2 |
| LFSC3GA115E-5FCN1152C ¹ | -5 | Lead-Free Ceramic fcBGA | 1152 | COM | 115.2 |
| LFSC3GA115E-6FFN1152C | -6 | Lead-Free Organic fcBGA | 1152 | COM | 115.2 |
| LFSC3GA115E-5FFN1152C | -5 | Lead-Free Organic fcBGA | 1152 | COM | 115.2 |
| LFSC3GA115E-6FCN1704C ¹ | -6 | Lead-Free Ceramic fcBGA | 1704 | COM | 115.2 |
| LFSC3GA115E-5FCN1704C ¹ | -5 | Lead-Free Ceramic fcBGA | 1704 | COM | 115.2 |
| LFSC3GA115E-6FFN1704C | -6 | Lead-Free Organic fcBGA | 1704 | COM | 115.2 |
| LFSC3GA115E-5FFN1704C | -5 | Lead-Free Organic fcBGA | 1704 | COM | 115.2 |

1. Converted to organic flip-chip BGA package per [PCN #01A-10](#).

Commercial, Cont.

| Part Number | Grade | Package | Balls | Temp. | LUTs (K) |
|---------------------------------------|-------|-------------------------|-------|-------|----------|
| LFSCM3GA115EP1-6FCN1152C ¹ | -6 | Lead-Free Ceramic fcBGA | 1152 | COM | 115.2 |
| LFSCM3GA115EP1-5FCN1152C ¹ | -5 | Lead-Free Ceramic fcBGA | 1152 | COM | 115.2 |
| LFSCM3GA115EP1-6FFN1152C | -6 | Lead-Free Organic fcBGA | 1152 | COM | 115.2 |
| LFSCM3GA115EP1-5FFN1152C | -5 | Lead-Free Organic fcBGA | 1152 | COM | 115.2 |
| LFSCM3GA115EP1-6FCN1704C ¹ | -6 | Lead-Free Ceramic fcBGA | 1704 | COM | 115.2 |
| LFSCM3GA115EP1-5FCN1704C ¹ | -5 | Lead-Free Ceramic fcBGA | 1704 | COM | 115.2 |
| LFSCM3GA115EP1-6FFN1704C | -6 | Lead-Free Organic fcBGA | 1704 | COM | 115.2 |
| LFSCM3GA115EP1-5FFN1704C | -5 | Lead-Free Organic fcBGA | 1704 | COM | 115.2 |

1. Converted to organic flip-chip BGA package per [PCN #01A-10](#).

Industrial

| Part Number | Grade | Package | Balls | Temp. | LUTs (K) |
|--------------------|-------|-----------------|-------|-------|----------|
| LFSC3GA15E-6FN256I | -6 | Lead-Free fpBGA | 256 | IND | 15.2 |
| LFSC3GA15E-5FN256I | -5 | Lead-Free fpBGA | 256 | IND | 15.2 |
| LFSC3GA15E-6FN900I | -6 | Lead-Free fpBGA | 900 | IND | 15.2 |
| LFSC3GA15E-5FN900I | -5 | Lead-Free fpBGA | 900 | IND | 15.2 |

| Part Number | Grade | Package | Balls | Temp. | LUTs (K) |
|-----------------------|-------|-----------------|-------|-------|----------|
| LFSCM3GA15EP1-6FN256I | -6 | Lead-Free fpBGA | 256 | IND | 15.2 |
| LFSCM3GA15EP1-5FN256I | -5 | Lead-Free fpBGA | 256 | IND | 15.2 |
| LFSCM3GA15EP1-6FN900I | -6 | Lead-Free fpBGA | 900 | IND | 15.2 |
| LFSCM3GA15EP1-5FN900I | -5 | Lead-Free fpBGA | 900 | IND | 15.2 |

| Part Number | Grade | Package | Balls | Temp. | LUTs (K) |
|-----------------------------------|-------|------------------------------------|-------|-------|----------|
| LFSC3GA25E-6FN900I | -6 | Lead-Free fpBGA | 900 | IND | 25.4 |
| LFSC3GA25E-5FN900I | -5 | Lead-Free fpBGA | 900 | IND | 25.4 |
| LFSC3GA25E-6FFN1020I ¹ | -6 | Lead-Free Organic fcBGA | 1020 | IND | 25.4 |
| LFSC3GA25E-5FFN1020I ¹ | -5 | Lead-Free Organic fcBGA | 1020 | IND | 25.4 |
| LFSC3GA25E-6FFAN1020I | -6 | Lead-Free Organic fcBGA Revision 2 | 1020 | IND | 25.4 |
| LFSC3GA25E-5FFAN1020I | -5 | Lead-Free Organic fcBGA Revision 2 | 1020 | IND | 25.4 |

1. Converted to organic flip-chip BGA package revision 2 per [PCN #02A-10](#).

| Part Number | Grade | Package | Balls | Temp. | LUTs (K) |
|--------------------------------------|-------|------------------------------------|-------|-------|----------|
| LFSCM3GA25EP1-6FN900I | -6 | Lead-Free fpBGA | 900 | IND | 25.4 |
| LFSCM3GA25EP1-5FN900I | -5 | Lead-Free fpBGA | 900 | IND | 25.4 |
| LFSCM3GA25EP1-6FFN1020I ¹ | -6 | Lead-Free Organic fcBGA | 1020 | IND | 25.4 |
| LFSCM3GA25EP1-5FFN1020I ¹ | -5 | Lead-Free Organic fcBGA | 1020 | IND | 25.4 |
| LFSCM3GA25EP1-6FFAN1020I | -6 | Lead-Free Organic fcBGA Revision 2 | 1020 | IND | 25.4 |
| LFSCM3GA25EP1-5FFAN1020I | -5 | Lead-Free Organic fcBGA Revision 2 | 1020 | IND | 25.4 |

1. Converted to organic flip-chip BGA package revision 2 per [PCN #02A-10](#).

| Part Number | Grade | Package | Balls | Temp. | LUTs (K) |
|-----------------------------------|-------|------------------------------------|-------|-------|----------|
| LFSC3GA40E-6FFN1020I ¹ | -6 | Lead-Free Organic fcBGA | 1020 | IND | 40.4 |
| LFSC3GA40E-5FFN1020I ¹ | -5 | Lead-Free Organic fcBGA | 1020 | IND | 40.4 |
| LFSC3GA40E-6FFAN1020I | -6 | Lead-Free Organic fcBGA Revision 2 | 1020 | IND | 40.4 |
| LFSC3GA40E-5FFAN1020I | -5 | Lead-Free Organic fcBGA Revision 2 | 1020 | IND | 40.4 |
| LFSC3GA40E-6FCN1152I ² | -6 | Lead-Free Ceramic fcBGA | 1152 | IND | 40.4 |
| LFSC3GA40E-5FCN1152I ² | -5 | Lead-Free Ceramic fcBGA | 1152 | IND | 40.4 |
| LFSC3GA40E-6FFN1152I | -6 | Lead-Free Organic fcBGA | 1152 | IND | 40.4 |
| LFSC3GA40E-5FFN1152I | -5 | Lead-Free Organic fcBGA | 1152 | IND | 40.4 |

1. Converted to organic flip-chip BGA package revision 2 per [PCN #02A-10](#).

2. Converted to organic flip-chip BGA package per [PCN #01A-10](#).

Industrial, Cont.

| Part Number | Grade | Package | Balls | Temp. | LUTs (K) |
|--------------------------------------|-------|------------------------------------|-------|-------|----------|
| LFSCM3GA40EP1-6FFN1020I ¹ | -6 | Lead-Free Organic fcBGA | 1020 | IND | 40.4 |
| LFSCM3GA40EP1-5FFN1020I ¹ | -5 | Lead-Free Organic fcBGA | 1020 | IND | 40.4 |
| LFSCM3GA40EP1-6FFAN1020I | -6 | Lead-Free Organic fcBGA Revision 2 | 1020 | IND | 40.4 |
| LFSCM3GA40EP1-5FFAN1020I | -5 | Lead-Free Organic fcBGA Revision 2 | 1020 | IND | 40.4 |
| LFSCM3GA40EP1-6FCN1152I ² | -6 | Lead-Free Ceramic fcBGA | 1152 | IND | 40.4 |
| LFSCM3GA40EP1-5FCN1152I ² | -5 | Lead-Free Ceramic fcBGA | 1152 | IND | 40.4 |
| LFSCM3GA40EP1-6FFN1152I | -6 | Lead-Free Organic fcBGA | 1152 | IND | 40.4 |
| LFSCM3GA40EP1-5FFN1152I | -5 | Lead-Free Organic fcBGA | 1152 | IND | 40.4 |

1. Converted to organic flip-chip BGA package revision 2 per [PCN #02A-10](#).

2. Converted to organic flip-chip BGA package per [PCN #01A-10](#).

| Part Number | Grade | Package | Balls | Temp. | LUTs (K) |
|-----------------------------------|-------|-------------------------|-------|-------|----------|
| LFSC3GA80E-6FCN1152I ¹ | -6 | Lead-Free Ceramic fcBGA | 1152 | IND | 80.1 |
| LFSC3GA80E-5FCN1152I ¹ | -5 | Lead-Free Ceramic fcBGA | 1152 | IND | 80.1 |
| LFSC3GA80E-6FFN1152I | -6 | Lead-Free Organic fcBGA | 1152 | IND | 80.1 |
| LFSC3GA80E-5FFN1152I | -5 | Lead-Free Organic fcBGA | 1152 | IND | 80.1 |
| LFSC3GA80E-6FCN1704I ¹ | -6 | Lead-Free Ceramic fcBGA | 1704 | IND | 80.1 |
| LFSC3GA80E-5FCN1704I ¹ | -5 | Lead-Free Ceramic fcBGA | 1704 | IND | 80.1 |
| LFSC3GA80E-6FFN1704I | -6 | Lead-Free Organic fcBGA | 1704 | IND | 80.1 |
| LFSC3GA80E-5FFN1704I | -5 | Lead-Free Organic fcBGA | 1704 | IND | 80.1 |

1. Converted to organic flip-chip BGA package per [PCN #01A-10](#).

| Part Number | Grade | Package | Balls | Temp. | LUTs (K) |
|--------------------------------------|-------|-------------------------|-------|-------|----------|
| LFSCM3GA80EP1-6FCN1152I ¹ | -6 | Lead-Free Ceramic fcBGA | 1152 | IND | 80.1 |
| LFSCM3GA80EP1-5FCN1152I ¹ | -5 | Lead-Free Ceramic fcBGA | 1152 | IND | 80.1 |
| LFSCM3GA80EP1-6FFN1152I | -6 | Lead-Free Organic fcBGA | 1152 | IND | 80.1 |
| LFSCM3GA80EP1-5FFN1152I | -5 | Lead-Free Organic fcBGA | 1152 | IND | 80.1 |
| LFSCM3GA80EP1-6FCN1704I ¹ | -6 | Lead-Free Ceramic fcBGA | 1704 | IND | 80.1 |
| LFSCM3GA80EP1-5FCN1704I ¹ | -5 | Lead-Free Ceramic fcBGA | 1704 | IND | 80.1 |
| LFSCM3GA80EP1-6FFN1704I | -6 | Lead-Free Organic fcBGA | 1704 | IND | 80.1 |
| LFSCM3GA80EP1-5FFN1704I | -5 | Lead-Free Organic fcBGA | 1704 | IND | 80.1 |

1. Converted to organic flip-chip BGA package per [PCN #01A-10](#).

Industrial, Cont.

| Part Number | Grade | Package | Balls | Temp. | LUTs (K) |
|------------------------------------|-------|-------------------------|-------|-------|----------|
| LFSC3GA115E-6FCN1152I ¹ | -6 | Lead-Free Ceramic fcBGA | 1152 | IND | 115.2 |
| LFSC3GA115E-5FCN1152I ¹ | -5 | Lead-Free Ceramic fcBGA | 1152 | IND | 115.2 |
| LFSC3GA115E-6FFN1152I | -6 | Lead-Free Organic fcBGA | 1152 | IND | 115.2 |
| LFSC3GA115E-5FFN1152I | -5 | Lead-Free Organic fcBGA | 1152 | IND | 115.2 |
| LFSC3GA115E-6FCN1704I ¹ | -6 | Lead-Free Ceramic fcBGA | 1704 | IND | 115.2 |
| LFSC3GA115E-5FCN1704I ¹ | -5 | Lead-Free Ceramic fcBGA | 1704 | IND | 115.2 |
| LFSC3GA115E-6FFN1704I | -6 | Lead-Free Organic fcBGA | 1704 | IND | 115.2 |
| LFSC3GA115E-5FFN1704I | -5 | Lead-Free Organic fcBGA | 1704 | IND | 115.2 |

1. Converted to organic flip-chip BGA package per [PCN #01A-10](#).

| Part Number | Grade | Package | Balls | Temp. | LUTs (K) |
|---------------------------------------|-------|-------------------------|-------|-------|----------|
| LFSCM3GA115EP1-6FCN1152I ¹ | -6 | Lead-Free Ceramic fcBGA | 1152 | IND | 115.2 |
| LFSCM3GA115EP1-5FCN1152I ¹ | -5 | Lead-Free Ceramic fcBGA | 1152 | IND | 115.2 |
| LFSCM3GA115EP1-6FFN1152I | -6 | Lead-Free Organic fcBGA | 1152 | IND | 115.2 |
| LFSCM3GA115EP1-5FFN1152I | -5 | Lead-Free Organic fcBGA | 1152 | IND | 115.2 |
| LFSCM3GA115EP1-6FCN1704I ¹ | -6 | Lead-Free Ceramic fcBGA | 1704 | IND | 115.2 |
| LFSCM3GA115EP1-5FCN1704I ¹ | -5 | Lead-Free Ceramic fcBGA | 1704 | IND | 115.2 |
| LFSCM3GA115EP1-6FFN1704I | -6 | Lead-Free Organic fcBGA | 1704 | IND | 115.2 |
| LFSCM3GA115EP1-5FFN1704I | -5 | Lead-Free Organic fcBGA | 1704 | IND | 115.2 |

1. Converted to organic flip-chip BGA package per [PCN #01A-10](#).

For Further Information

For further information about the flexiPCS, see the [LatticeSC/M Family flexiPCS Data Sheet](#).

A variety of technical notes for the LatticeSC/M family are also available on the Lattice Semiconductor website at www.latticesemi.com.

- [LatticeSC PURESPEED I/O Usage Guide](#) (TN1088)
- [LatticeSC PURESPEED I/O Adaptive Input Logic User's Guide](#) (TN1158)
- [LatticeSC sysCLOCK PLL/DLL User's Guide](#) (TN1098)
- [On-Chip Memory Usage Guide for LatticeSC Devices](#) (TN1094)
- [LatticeSC/M DDR/DDR2 SDRAM Memory Interface User's Guide](#) (TN1099)
- [LatticeSC QDRII/II+ SRAM Memory Interface User's Guide](#) (TN1096)
- [LatticeSC sysCONFIG Usage Guide](#) (TN1080)
- [LatticeSC MPI/System Bus](#) (TN1085)
- [SPI Serial Flash Programming Using ispJTAG in LatticeSC Devices](#) (TN1100)
- [Power Estimation and Management for LatticeSC Devices](#) (TN1101)
- [LatticeSC SERDES Jitter](#) (TN1084)
- [LatticeSC FPGAs: Implementing 3.3V Interfaces in 2.5V VCCIO Banks](#) (TN1110)
- [Lattice PCI Express Basic Demo User's Guide](#) (UG08)
- [LatticeSC flexiPCS/SERDES Design Guide](#) (TN1145)
- [Temperature Sensing Diode in LatticeSC Devices](#) (TN1115)
- [SPI4.2 Interoperability Between ORSPI4 and LatticeSC Devices](#) (TN1116)

For further information on Interface standards refer to the following websites:

- JEDEC Standards (LVTTTL, LVCMOS, SSTL, HSTL): www.jedec.org
- Optical Interface (SPI-4.2, XSBI, CSIX and XGMII): www.oiforum.com
- RAPIDIO: www.rapidio.org
- PCI/PCIX: www.pcisig.com

| Date | Version | Section | Change Summary |
|-------------------------------------|--|----------------------------------|---|
| February 2006 | 01.0 | — | Initial release. |
| March 2006 | 01.1 | Introduction | SC25 1020 I/O count changed to 476. |
| | | Architecture | Changed ROM 16X4 to ROM 16X2. |
| | | | Changed "X2 or X4" to "DIV2 or DIV4". |
| | | | Added Global Set/Reset Section. |
| | | DC and Switching Characteristics | Added notes 5 and 6 to Recommended Operating Conditions table. |
| | | | Added Power Supply Ramp Rates table. |
| | | | Removed -5 and -6 speed grades from Typical Building Block Performance table. |
| | | | Added Input Delay Timing table. |
| | | Pinout Information | Added Synchronous GSR Timing table. |
| | | | Expanded PROBE_VCC and PROBE_GND description. |
| | | | Removed A-RXREFCLKP_[L/R] from Signal Description table. |
| | | | Added RESP_[ULC/URC] to Signal Description table. |
| | | | Added notes 1 and 2 to Signal Description table. |
| | | | Changed number of NCs to 28. |
| | | | Changed number of SERDES (signal + power supply) to 74. |
| | | | Removed RESP balls from NC list (B2, C2, B29, C29). |
| | | | Added note to VTT table. |
| Changed RxRefclk (B2 and C2) to NC. | | | |
| June 2006 | 01.2 | Introduction | Added RESP_ULC. |
| | | | Added RESP_URC. |
| | | | Changed RxRefclk (B29 and C29) to NC. |
| | | | Changed SERDES min bandwidth from 622 Mbps to 600 Mbps. |
| | | Architecture | Changed max SERDES bandwidth from 3.4 Gbps to 3.8 Gbps. |
| | | | Corrected number of package I/Os for the SC80 and SC115 1704 pin packages. |
| | | | Updated speed performance for typical functions with ispLEVER 6.0 values. |
| | | | Changed "When these pins are not used they should be left unconnected." with "Unused VTT pins should be connected to GND if the internal or external VCMT function is not used in the bank. If the internal or external VCMT function for differential input termination is used, the VTT pins should be unconnected and allowed to float." |
| | | | Added "SERDES Power Supply Sequencing Requirements" section. |
| DC and Switching Characteristics | Changed total bandwidth per quad from 13.6 Gbps to 15.2 Gbps. | | |
| | Added the accuracy of the temperature-sensing diode to be typically +/- 10 °C. Also referred to a temperature-sensing diode application note for more information. | | |
| | Changed "CTAP" to "internal or external VCMT". | | |
| | Changed VCC12 parameter to include VDDP, VDDTX and VDDR. Changed typical values to match ispLEVER 6.0 Power Calculator. | | |

© 2011 Lattice Semiconductor Corp. All Lattice trademarks, registered trademarks, patents, and disclaimers are as listed at www.latticesemi.com/legal. All other brand or product names are trademarks or registered trademarks of their respective holders. The specifications and information herein are subject to change without notice.

| Date | Version | Section | Change Summary |
|---|---|--|---|
| June 2006 (cont.) | 01.2 (cont.) | DC and Switching Characteristics (cont.) | Updated Typical Building Block Performance with ispLEVER 6.0 values. |
| | | | Updated LatticeSC External Switching Characteristics with ispLEVER 6.0 values. |
| | | | Updated Lattice SC Internal Timing Parameters with ispLEVER 6.0 values. |
| | | | Updated Lattice SC Family Timing Adders with ispLEVER 6.0 values |
| | | | Changed % spread from 1 to 0.5 min and from 3 to 1.5 max. |
| | | | Changed conditions to refer to “with multiplication” and “without multiplication”. |
| | | | Changed the formula for t_{OPJIT} with multiplication (same result, different representation). |
| | | Pinout Information | Expanded definition of NC. |
| | | | Expanded definition of GND. |
| | | | Expanded definition of VTT_x. |
| | | | Expanded definition of VCC12. |
| | | | Added accuracy of TEMP pin. |
| | | | Added RESPN_[ULC/URC]. |
| | | | Updated Pin Information Summary with additional devices and packages. |
| | | | Added additional devices and packages pinouts. |
| | | | Removed Power Supply and NC connections table |
| | | | Removed VTT table |
| | | | Removed LFSC25 Logic Signal Connections: 900-Ball fBGA1 table |
| Changed all VDDP, VDDTX and VDDR _X to VCC12. | | | |
| Ordering Information | Added dual marking. | | |
| | Added lead free packaging information to part number description. | | |
| August 2006 | 01.3 | Introduction | Added SC40 1152 information to Table 1-1. |
| | | | Updated Table 1-3 with ispLEVER 6.0 SP1 results. |
| | | Architecture | Added SSTL18 II to Table 2-8. |
| | | | Changed Table 2-10 VCCIO column to “N/A” for LVDS, mini-LVDS, BLVDS25, MLVDS25, HYPT and RSDS. |
| | | | Changed Hypertransport performance to 700 MHz (1400 Mbps) in Table 2-11. |
| | | | Changed SPI4.2 performance to 500 MHz (1000 Mbps) in Table 2-11 |
| | | | Added “On packages that include PROBE_GND, the most accurate measurements will occur between the TEMP pin and the PROBE_GND pin. On packages that do not include PROBE_GND, measurements should be made between the TEMP pin and board ground.” |
| | | | Added VCCIO of 2.5 V for LVPECL33 in table 2-9. |
| | | DC and Switching Characteristics | Updated Typical Building Block Performance with ispLEVER 6.0 SP1 results. |
| | | | Updated Initialization and Standby Supply Current table to break out ICC and ICC12. |
| | | | Updated LatticeSC External Switching Characteristics with ispLEVER 6.0 SP1 results. |
| | | | Updated LatticeSC Internal Timing Parameters with ispLEVER 6.0 SP1 results. |

| Date | Version | Section | Change Summary |
|---|--|---|---|
| August 2006 (cont.) | 01.3 (cont.) | DC and Switching Characteristics (cont.) | Updated LatticeSC Family Timing Adders with ispLEVER 6.0 SP1 results |
| | | | Updated PLL Timing Parameters based on PDE testing results |
| | | | Removed RDDATA parameter from sysCONFIG readback timing table |
| | | Multiple | Changed TDO/RDDATA to TDO |
| | | Pinout Information | Removed all MPI signals from SC15 256 pin package Dual Function Column |
| | | | Added note to SC15, SC25 900 pin package that the package supports a 16 bit MPI |
| | | | Added note that pin D3 in an SC15 and SC25 900 pin package should not be used for single-ended outputs |
| | | | Added note that pin D28 in an SC15 and SC25 900 pin package should not be used for single-ended outputs |
| | | | Added note to SC25 1020 pin package that the package supports a 16 bit MPI |
| | | | Added note to SC80 1152 pin package that the package supports a 32 bit MPI |
| Added note to SC80 1704 pin package that the package supports a 32 bit MPI | | | |
| Ordering Information | Changed "fcBGA" for the 1020 packages to "ffBGA" | | |
| November 2006 | 01.4 | Introduction | LatticeSC Family Selection Guide table – I/O count for SC80 device, 1704 fcBGA package changed to 904/32. I/O count for SC115 device, 1704 fcBGA package changed to 942/32. |
| | | DC and Switching Characteristics | DC Electrical Characteristics table – Updated the initialization and standby supply current values. |
| | | | DC Electrical Characteristics table – Updated the sysCONFIG Master Parallel mode RCLK low and RCLK high time specifications. |
| | | | DC Electrical Characteristics table – Updated VCCIO values for LVPECL33 I/Os. |
| | | Pin Information | Pin Information Summary table - Changed number of single ended user I/Os from 906 to 904 for 1704 fcBGA. |
| | | | Removed the single-ended only output restriction on pins D3 and D28 in an SC15 and SC25 900 pin package. |
| | | Ordering Information | Ordering Information tables - Changed number of I/Os from 906 to 904 for 1704 fcBGA. |
| | | | Added ordering part numbers for LatticeSC/SCM 40K and 115K LUT devices. |
| | | | Added lead-free ordering part numbers. |
| | | Multiple | Changed number of available SC80 I/O from 906 to 904. |
| Changed number of available SC115 I/O from 944 to 942. | | | |
| January 2007 | 01.4a | Architecture | Added EBR Asynchronous Reset section. |
| February 2007 | 01.4b | Architecture | Updated EBR Asynchronous Reset section. |
| March 2007 | 01.5 | Architecture | Added EBR asynchronous reset clarification |
| | | | Clarified that differential drivers are not supported in banks 1, 4 and 5 |
| | | DC and Switching Characteristics | Added clarification for the description of the junction temperature specification in the Absolute Maximum Ratings section. |
| | | | Updated Initialization and Standby Current table. |
| Updated LatticeSC External Switching Characteristics with ispLEVER 6.1 SP1 results. | | | |

| Date | Version | Section | Change Summary |
|--|-----------------|--|---|
| March 2007 (cont.) | 01.5 (cont.) | DC and Switching Characteristics (cont.) | Updated LatticeSC Internal Timing Parameters with ispLEVER 6.1 SP1 results. |
| | | | Updated t_{FDEL} and t_{CDEL} specifications. |
| | | | Updated LatticeSC Family Timing Adders with ispLEVER 6.1 SP1 results. |
| | | | Updated PLL specifications to expand frequency range down to 2 MHz and break out jitter for the different ranges. |
| | | | Added footnote to sysCLOCK PLL Timing table specifying the conditions for the jitter measurements. |
| | | | Added t_{DLL} specification to sysCLOCK DLL Timing table. |
| | | | Added footnote to sysCLOCK DLL Timing table specifying the conditions for the jitter measurements. |
| | | | Added sysCONFIG Master Parallel Configuration Mode and sysCONFIG SPI Port to LatticeSC sysCONFIG Port Timing table. |
| | | Pin Information | Updated Pin Information Summary with SC40 information. |
| | | | Updated LFSC25 Logic Signal Connections: FF1020 with SC40 information. |
| Updated LFSC80 Logic Signal Connections: FC1152 with SC40 information. | | | |
| August 2007 | 01.6 | General | Changed references of "HDC" to "HDC/SI". |
| | | | Changed references of "LDCN" to "LDCN/SCS". |
| | | | Changed references of "BUSYN/RCLK" to "BUSYN/RCLK/SCK". |
| | | | Changed references of "RDCFGN" to "TSALLN". |
| | | | Changed references of "TDO/RDDATA" to "TDO". |
| | | Architecture | Updated text in Ripple Mode section. |
| | | | Added information to Global Set/Reset. |
| | | | Added information for Spread Spectrum Clocking |
| | | | Modified information for PLL/DLL Cascading. DLL to PLL is now supported. |
| | | | Modified AIL Block text and figure. |
| | | | Modified Figure 2-20 DDR/Shift Register Block. |
| | | | Added Information to Hot Socketing. |
| | | | Added new information for I/O Architecture Rules. |
| | | | Added information to SERDES Power Supply Sequencing Requirements. |
| | | DC and Switching Characteristics | Added footnote to Hot Socketing Specifications table. |
| | | | Modified Initialization and Standby Supply Current table. |
| | | | Modified GSR Timing table. |
| | | | Modified sysCLOCK DLL Timing table to include I_{DUTY} . |
| | | | Deleted Readback Timing information from sysCONFIG Port Timing table. |
| | | | Modified data in External Switching Characteristics table. |
| | | Pin Information | Added information to the Signal Descriptions table for HDC/SI, LDCN/SCS. |
| | | | Added footnote to Signal Descriptions table. |
| | | | Modified Description for signal BUSYN/RCLK/SCK. |
| | | | Modified data in Pin Information Summary and device-specific Pinout Information tables. |

| Date | Version | Section | Change Summary |
|---|--|----------------------------------|--|
| September 2007 | 01.7 | Pinout Information | Added Thermal Management text section. |
| | | Supplemental Information | Updated title list. |
| November 2007 | 01.8 | Ordering Information | Removed -7 speed grade information for 115K LUT devices in the Ordering Information tables. |
| January 2008 | 01.9 | Introduction | Corrections/Additions to memory controller list (Tables 1-2). |
| | | Architecture | AIL Overview – Modified power used by AIL block. |
| | | | PURESPEED I/O Buffer Banks – Modified VTT termination info. Added info about complimentary drivers for all banks. |
| | | | Supported Source Synchronous Interfaces – Modified data for DDRII in Table 2-11. |
| | | DC and Switching Characteristics | Recommended Operating Conditions – Changed footnote 3. |
| | | | Initialization and Standby Supply Current – Inserted a paragraph with info regarding the table. Also updated the table. |
| | | | Typical Building Block Function Performance – Added VCC=1.2V=1.2V+/-5% above Pin to Pin Performance table. |
| | | | LatticeSC External Switching Characteristics – Added VCC=1.2V=1.2V+/-5% above table. Reworded footnote 3. |
| | | | LatticeSC Family Timing Adders – Added VCC=1.2V=1.2V+/-5% above table. |
| | | | LatticeSC Internal Timing Parameters – Added VCC=1.2V=1.2V+/-5% above table. Reworded footnote 1. |
| GSR Timing – Added a new table for Internal System Bus Timing after GSR Timing. | | | |
| LatticeSC sysCONFIG Port Timing – Corrected sysCONFIG SPI Port information. | | | |
| Pinout Information | Signal Descriptions – Modified info for VTT_x, PROBE_VCC, and PROBE_GND. Modified info for [LOC]_DLL[T,C]_IN[C,D,E,F]. | | |
| Supplemental Information | Updated list of technical notes, added reference to LatticeSC/M flexiPCS Data Sheet. | | |
| March 2008 | 02.0 | DC and Switching Characteristics | Updated Internal Timing Parameters table. |
| | | | Updated Read Mode timing diagram. |
| | | | Updated Read Mode with Input Registers Only timing diagram. |
| June 2008 | 02.1 | — | Data sheet status changed from preliminary to final. |
| | | Architecture | Removed Read-Before-Write sysMEM EBR mode. |
| | | DC and Switching Characteristics | Updated LatticeSC/M External Switching Characteristics table. |
| | | | Updated LatticeSC/M Internal Timing Parameters table. |
| December 2008 | 02.2 | Architecture | Output/Tristate DDR/Shift Register Block Diagram - corrected connection to POS. |
| | | DC and Switching Characteristics | DC and Switching Characteristics table - updated data for t _{SUI_PIO} . |
| | | | Added T _R , T _F parameter to PURESPEED I/O Differential Electrical Characteristics (LVDS) table. |
| January 2010 | 02.3 | Multiple | Removed references to HyperTransport throughout the data sheet. |
| | | Introduction | Updated per PCN #01A-10 (ceramic fcBGA conversion to organic fcBGA for the 1152-ball and 1704-ball fcBGA packages) and PCN #02A-10 (1020-ball organic fcBGA conversion to 1020-ball organic fcBGA revision 2 package). |
| | | Ordering Information | |

| Date | Version | Section | Change Summary |
|---------------|---------|----------------------------------|--|
| December 2011 | 02.4 | DC and Switching Characteristics | Updated JTAG Port Timing Specifications table. |

Looking for pricing, stock, or lifecycle information?

Click below to explore more details on WIN SOURCE:

- ⊖ [View LFSCM3GA80EP1-5FC1704C on WIN SOURCE](#)
- ⊖ [Lattice Semiconductor Corporation Information](#)

Optimize Your Supply Chain with WIN SOURCE Solutions

- ✓ Global Sourcing Solution
- ✓ Obsolete Management
- ✓ Cost Control Management
- ✓ Shortage Management
- ✓ Alternative Solution
- ✓ Excess Inventory Management