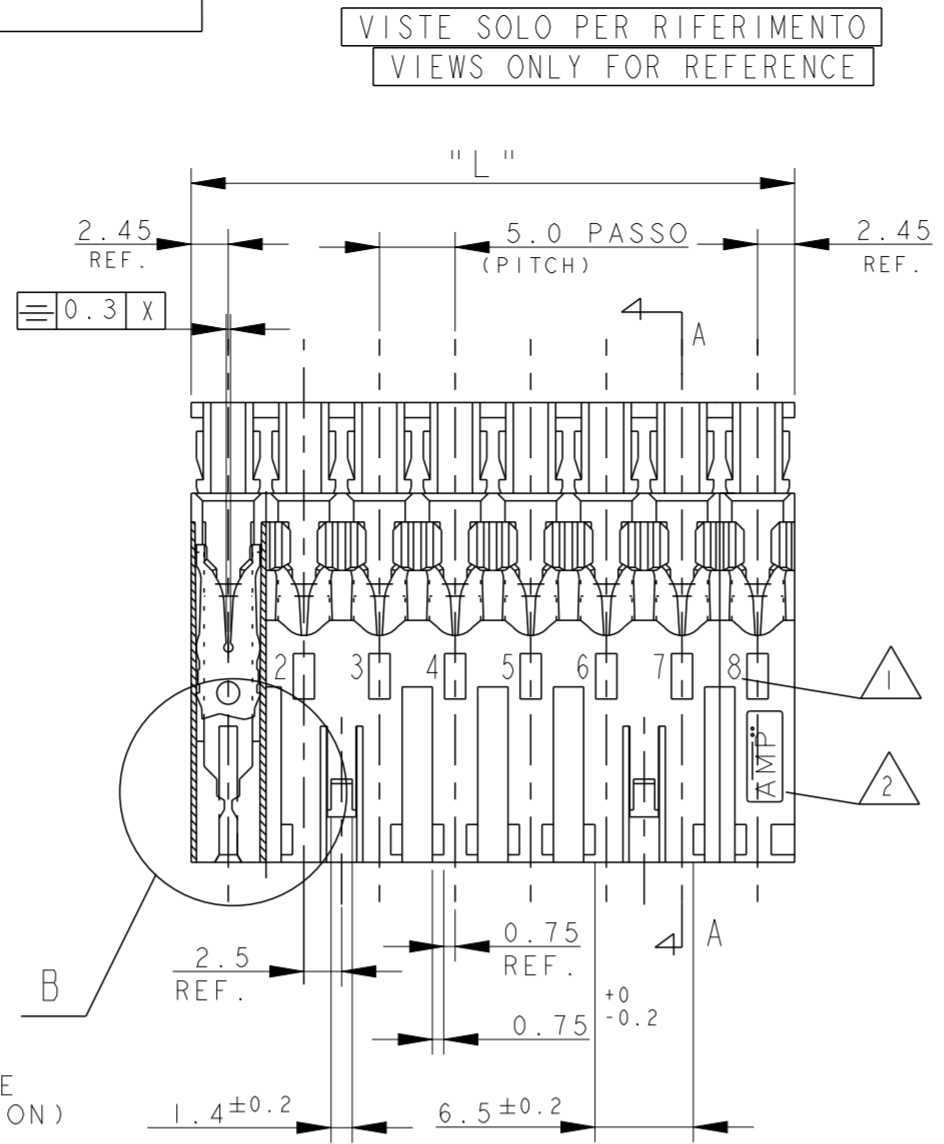
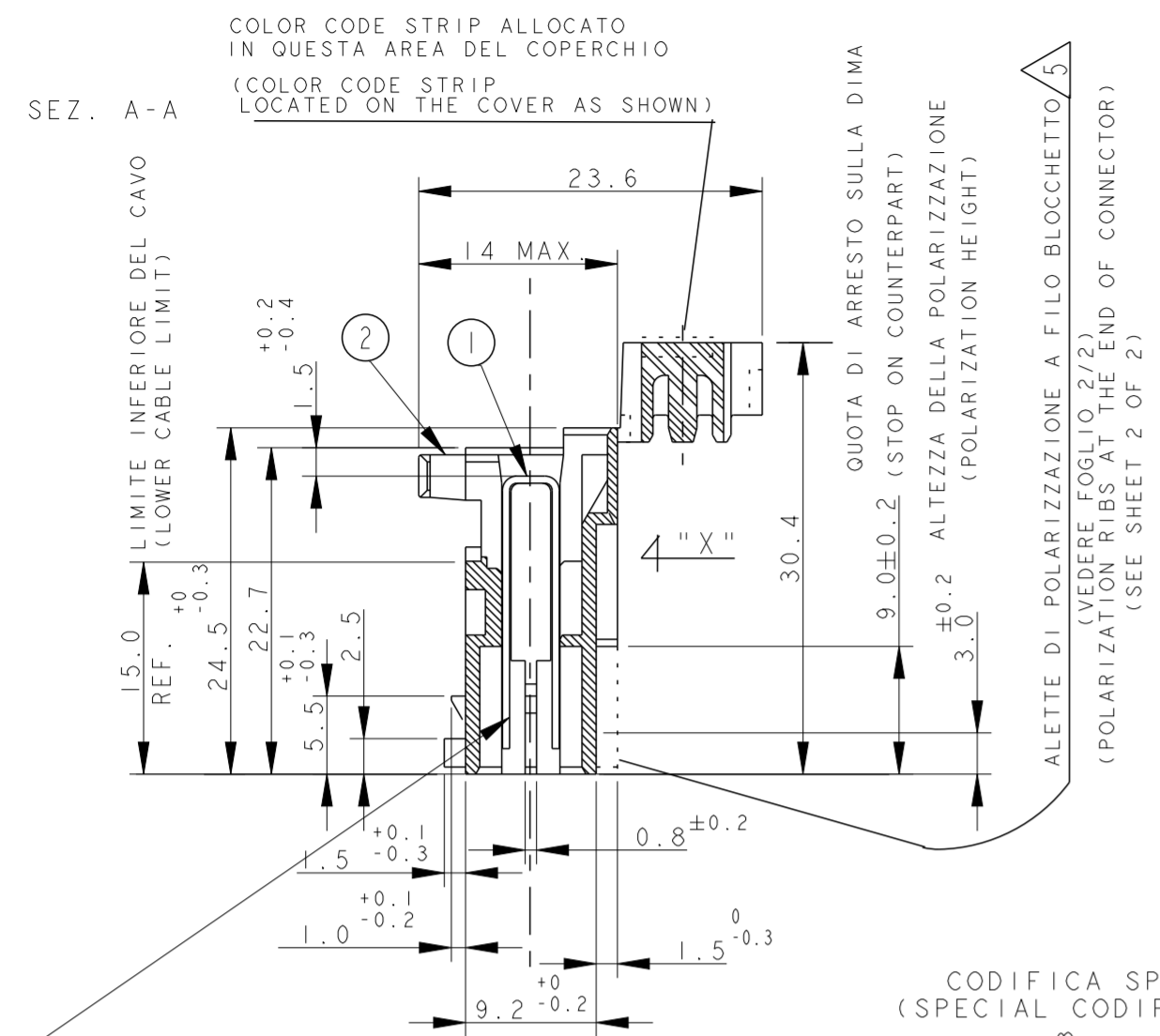




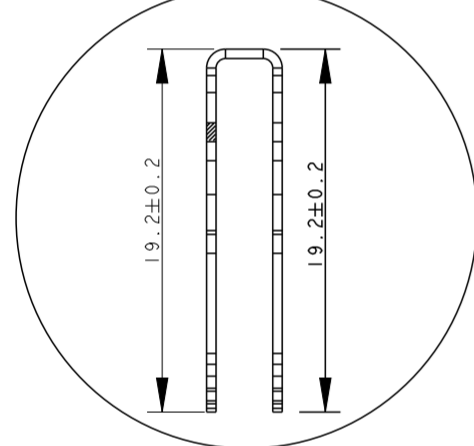
**THE DATASHEET OF**  
**1-282002-1**



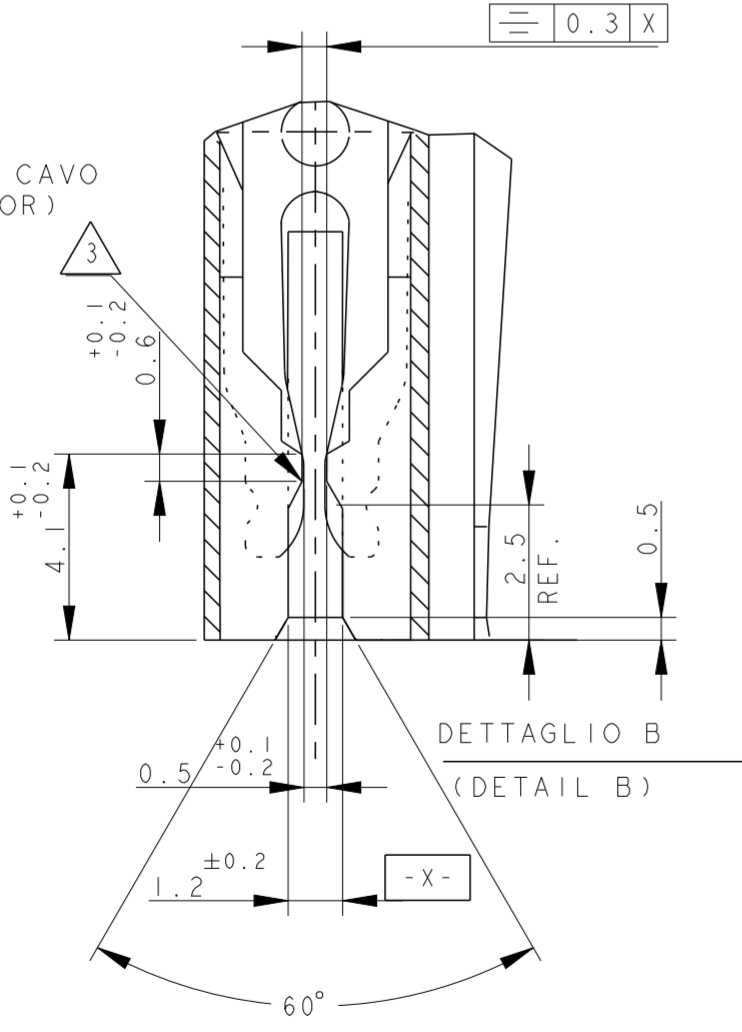
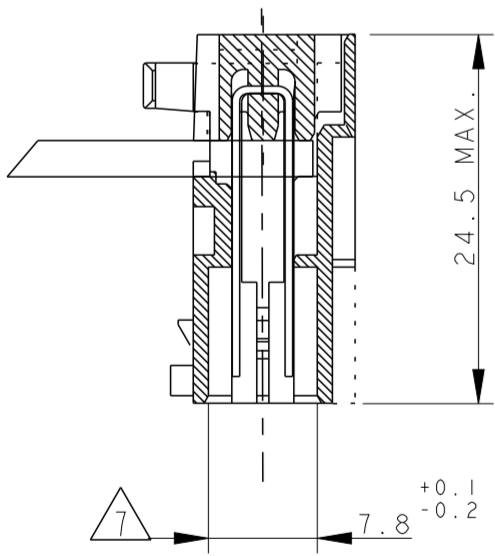
LOC		DIST		REVISIONS			
P	LTR	DESCRIPTION	DATE	DWN	APVD		
AA35		REVISED PER ECR-19-003353	04MAR2019	MG	DC		
AA36		REVISED PER ECR-19-005103	23MAR2019	MG	DC		



DETTAGLIO DEL CONTATTO, DIMENSIONI RIFERITE AL COMPONENTE INSERITO IN CAVITÀ (ENLARGED VIEW OF TAB CONTACT DIM. REFERRED TO CONTACT INSERTED IN THE HOUSING CAVITY)



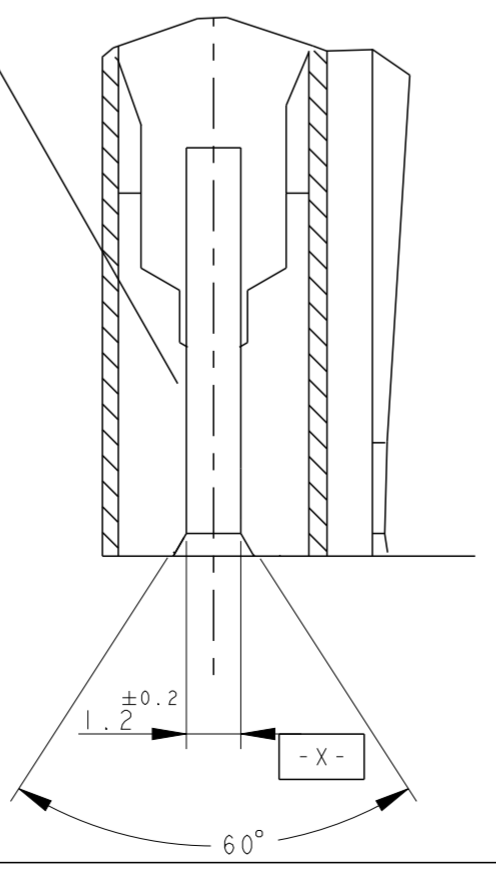
CONNETTORE COMPLETO DI CAVO (TERMINATED CONNECTOR)



DETAIL PN/s:  
 1-282006-3  
 2-282006-3  
 3-282006-3

POLARIZATION KEYS (VIEW FROM "X")

PN X-282002-8  
 PN I-2293382-2  
 (DETAIL "B" FOR CAVITY 1 & 2)

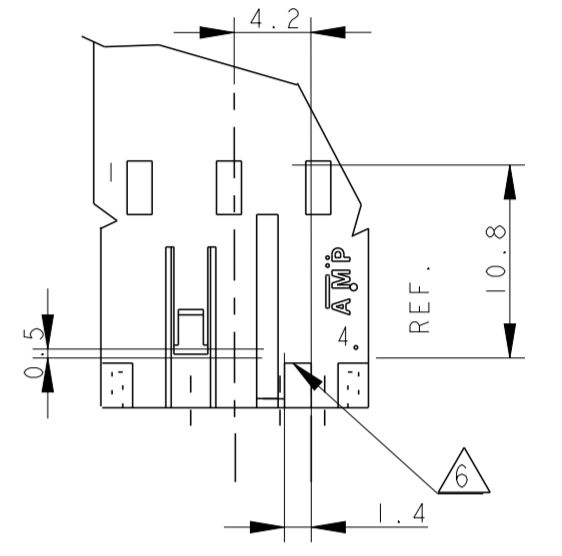


VISTE SOLO PER RIFERIMENTO  
 VIEWS ONLY FOR REFERENCE

NOTE/NOTES:

- 1 NUMERI DI IDENTIFICAZIONE CAVITÀ (CIRCUIT IDENTIFICATION)
- 2 MARCHIO DI FABBRICA LIBERA POSIZIONE (AMP LOGO FREE POSITION)
- 3 RETENTION TOOTH IS REQUESTED FOR THE 2 AND 3 POS. ONLY
- 4 PERTE PRELIMINARE, NON ANCORA IN PRODUZIONE (PRELIMINARY PART, NOT YET RELEASED FOR PRODUCTION)
- 5 PER QUESTI P/N LA POLARIZZAZIONE POSTERIORE DEVE INTENDERSI COMPLETA, A FINE BLOCCETTO (FOR THE INDICATE P/N THE POLARIZATION MUST BE AT THE END OF CONNECTOR (see sheet 2 of 2.
- 6 CODIFICA CON DIFFERENTE DIMENSIONE (CODIFICATION WITH DIFFERENT DIMENSION).
- 7 BECOMES 6.5 FOR BOTH CAVITIES ON THE 2 POS., ON CAVITY N.1 AND N.3 ON THE 3 POS. AND ON CAVITY N.1 ON THE 4 POS. CONNECTOR
- 8 INCLUDE LA POLARIZZAZIONE DOVE E' ESISTENTE (INCLUDING POLARIZATION KEY, WHEN EXISTING)
- 9 DETAIL FOR PN X-282002-8 AND PN I-2293382-2, SPECIAL VERSION, SEE ALSO NOTE 3
- 10 P/N NON RILASCIATO PER LA PRODUZIONE (P/N NOT YET RELEASED FOR PRODUCTION)
- 11 ---
- 12 GEOMETRIA ALTERNATIVA DEL DENTINO DI AGGANCIAMENTO VEDI NOTA 3 PER ALTRI DETTAGLI (ALTERNATIVE SHAPE FOR RETENTION TOOTH, SEE NOTE 3 FOR ADDITIONAL DETAILS)
- 13 STATO DI FORNITURA: CONFEZIONAMENTO IN "VASSOI + SCATOLA" (PACKAGING: "ON TRAY PLUS CARTON BOX")
- 14 CONFEZIONAMENTO IN BOBINA OBSOLETO (PACKAGING: ON REEL OBSOLETE)
- 15 OBSOLETE PARTS: OBSOLETE CIS STREAMLINING PER D.RENAUD/D.SINISI
- 16 THE DESIRED POLARIZATION CAN BE OBTAINED BY THE TERMINATION MACHINE
- 17 EXCEPTION MADE FOR PN FOR THIS PN CAVITY 1 IS WITHOUT RETENTION TOOTH AND HAS THE SAME DESIGN AS THE CAVITY N.2
- 18 OBSOLETE PART

DETAIL FOR PN 0-282233-2 ONLY



PASSO 11.4-12.4 (PITCH)

ITEM	DENOMINAZIONE (DESCRIPTION)	FINITURA / COLORE (FINISH / COLOUR)	MATERIALE (MATERIAL)
2	BLOCCETTO (HOUSING)	NATURALE (NATURAL)	PA 6.6 CARICATO VETRO (POLIAMIDE 6.6 GLASSFIBER FILLED)
1	CONTATTO (CONTACT)	STAGNATO (TIN-PLATED)	OTTONE (BRASS)

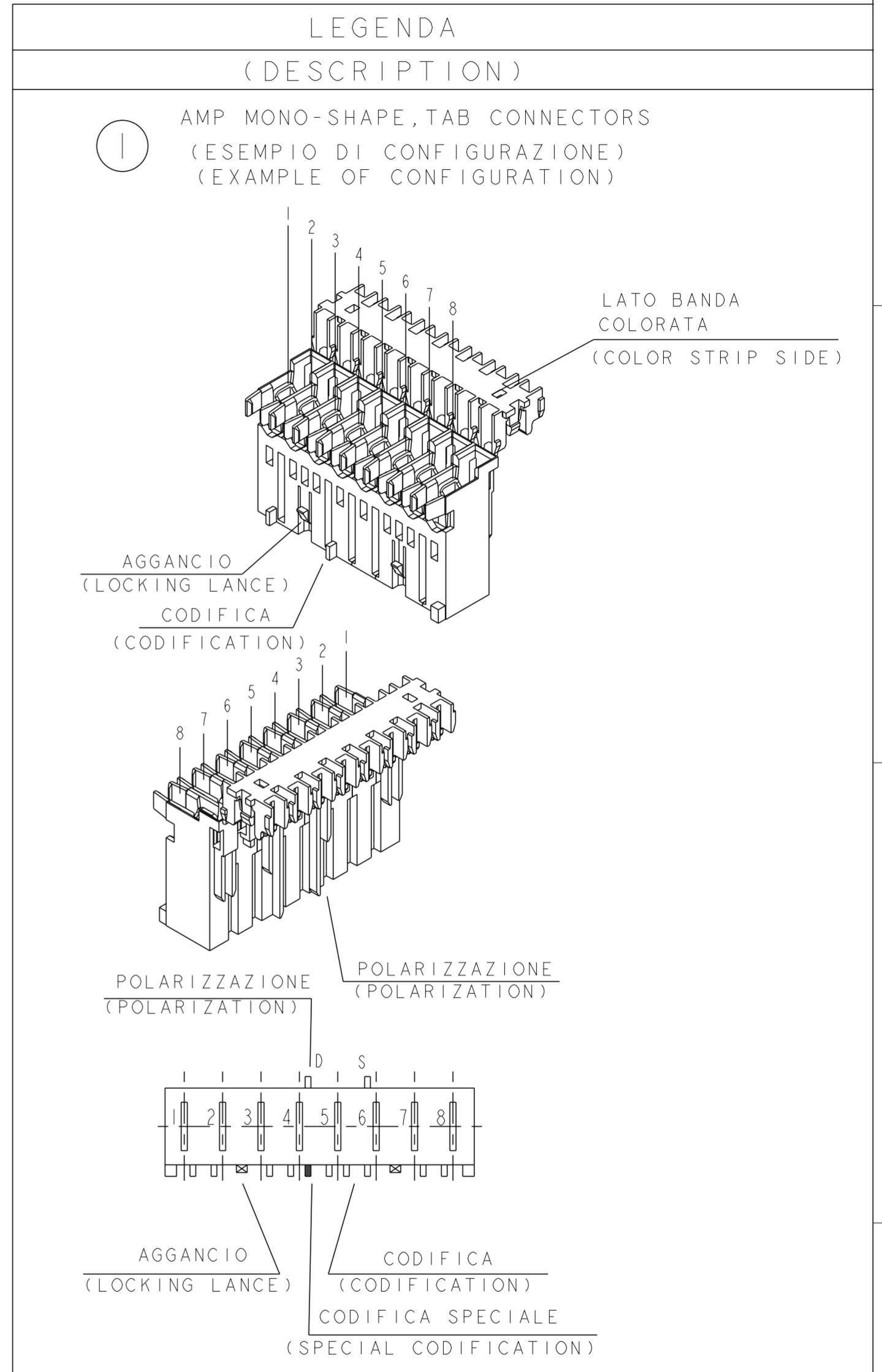
THIS DRAWING IS A CONTROLLED DOCUMENT.		DWN G. ENDRIZZI 23 JUL 1995	TE Connectivity <b>MONO-SHAPE MK1          TAB CONNECTORS 2-10 POS.</b>	
DIMENSIONS: mm		CHK G. TURCO 23 JUL 1995		
TOLERANCES UNLESS OTHERWISE SPECIFIED:		APVD G. TURCO 23 JUL 1995		
0 PLC ± 1 PLC ± 2 PLC ± 3 PLC ± 4 PLC ± ANGLES ± FINISH ±		NAME PRODUCT SPEC 108-20065-1, 108-20065-2 APPLICATION SPEC 114-20016, 114-20016-1 WEIGHT -		
MATERIAL SEE TABLE	SEE TABLE	Customer Drawing	SIZE A2	CAGE CODE 0779
			DRAWING NO. C-282002	RESTRICTED TO -
			SCALE -	SHEET 1 OF 6
			REV AA36	

THIS DRAWING IS UNPUBLISHED. RELEASED FOR PUBLICATION  
 © COPYRIGHT 2011 ALL RIGHTS RESERVED.

LOC		DIST		REVISIONS			
P	LTR	DESCRIPTION	DATE	DWN	APVD		
-	-	SEE SHEET 1					

VISTE SOLO PER RIFERIMENTO  
 VIEWS ONLY FOR REFERENCE

NUMERO DI VIE	CONFIGURAZIONE (Vista connettore dall'alto)	TE PART NUMBER ASSY CONN.				POSIZIONE POLARIZ. (LATO POSTERIORE)	POSIZIONE AGGANCIAMENTO (LATO ANTERIORE)	POSIZIONE CODIFICA SPECIALE (LATO ANTERIORE)	L +0.2 -0.3 (mm)	NOTE MARCHIATURA CON BANDA COLORATA	POSSIBILI RAST 5 POLARIZ.
		VERSIONE PEZZI IN VASSOIO	VERSIONE PEZZI SCIOLTI	TRAY PACKAGING VERSION	PART REV						
NO OF POS	CONFIGURATION (View from top side)	TRAY PACKAGING VERSION	PART REV	LOOSE PIECES PACKAGING VERSION	PART REV	POLARIZ. POSITION (BACK SIDE)	LOCKING POSITION (FRONT SIDE)	SPECIAL COD. POSITION (FRONT SIDE)	L +0.2 -0.3 (mm)	NOTE STRIP COLOUR	POSSIBLE RAST 5 POLARIZ.
2		4-282002-1	AA	-	-	2S	1-2	-	9.9	NERO BLACK	02-C
2		1-282002-1	V	2-282002-1	V	2S	1-2	-	9.9	NERO BLACK	02-C
2		1-282002-2	V	2-282002-2	V	1S	1-2	-	9.9	GRIGIO GREY	02-B 02-E 02-F
2		1-282002-3	V	<del>2-282002-3</del>	V	2D	1-2	-	9.9	ROSSO RED	02-L
2		1-282002-4	V	<del>2-282002-4</del>	V	1D	1-2	-	9.9	BLU BLUE	02-A
2		1-282002-5	V	2-282002-5	V	2S	1-2	-	9.9	NERO BLACK	02-Q
2		3-282002-5	AA	-	-	1D	1-2	-	9.9	NERO BLACK	02-Q
2		1-282002-6	V	2-282002-6	V	-	1-2	-	9.9	NERO BLACK	-
2		1-282002-7	V	<del>2-282002-7</del>	V	-	1-2	-	9.9	-	-
2		1-282002-8	V	<del>2-282002-8</del>	V	1S	1-2	-	9.9	VERDE GREEN	02-B 02-E 02-F
2		2-282002-9	I	-	-	1D	1-2	-	9.9	-	-
2		3-282002-0	I	-	-	2D	1-2	-	9.9	-	-
2		3-282002-4	AA	-	-	1D	1-2	-	9.9	-	02-A
2		5-282002-4	I	-	-	2S	1-2	-	9.9	YELLOW	02-B 02-E 02-F
2		6-282002-0	AA	-	-	2D	1-2	-	9.9	RED	-
3		1-282003-1	V	<del>2-282003-1</del>	V	1D	1-2	-	14.9	ARANCIO ORANGE	03-A 03-I
3		4-282003-1	AA	-	-	1D	1-2	-	14.9	ARANCIO ORANGE	03-A 03-I
3		1-282003-2	V	<del>2-282003-2</del>	V	2D	2-3	-	14.9	BLU BLUE	03-B
3		1-282003-3	V	<del>2-282003-3</del>	V	3D	1-2	-	14.9	VERDE GREEN	03-F
3		1-282003-4	V	<del>2-282003-4</del>	V	3D	2-3	-	14.9	ROSSO RED	03-B
3		1-282003-5	V	2-282003-5	V	2D	2-3	-	14.9	GRIGIO GREY	03-B
3		1-282003-6	V	2-282003-6	V	-	1-2	-	14.9	VIOLA VIOLET	-
3		1-282003-7	V	-	-	2D	2-3	-	14.9	NERO BLACK	03-B
3		3-282003-3	I	-	-	3D	1-2	-	14.9	-	-
3		3-282003-4	I	-	-	1D - 2S	1-2	-	14.9	-	-
3		3-282003-5	I	-	-	2D - 3S	2-3	-	14.9	-	-
3		3-282003-6	AA	-	-	3D	1-2	-	14.9	-	-
3		3-282003-6	AA	-	-	1S - 1D 2S - 2D	1-2	-	14.9	-	-
3		<del>0-282233-2</del>	V	<del>2-282233-2</del>	V	1S	1-2	-	14.9	-	03-D
3		1-284396-1	Z	-	-	2S	2-3	-	14.9	NERO BLACK	-



THIS DRAWING IS A CONTROLLED DOCUMENT.		DWN G. ENDRIZZI 23 JUL 1995	TE Connectivity MONO-SHAPE MK1 TAB CONNECTORS 2-10 POS.
DIMENSIONS: mm		CHK G. TURCO 23 JUL 1995	
TOLERANCES UNLESS OTHERWISE SPECIFIED:		APVD G. TURCO 23 JUL 1995	
0 PLC ± 1 PLC ± 2 PLC ± 3 PLC ± 4 PLC ± ANGLES ±		NAME	
SEE TABLE		PRODUCT SPEC 108-20065-1, 108-20065-2	RESTRICTED TO
SEE TABLE		APPLICATION SPEC 114-20016, 114-20016-1	SIZE CAGE CODE DRAWING NO
MATERIAL FINISH		WEIGHT	A20779 C-282002
Customer Drawing		SCALE	SHEET 2 OF 6 REV AA36

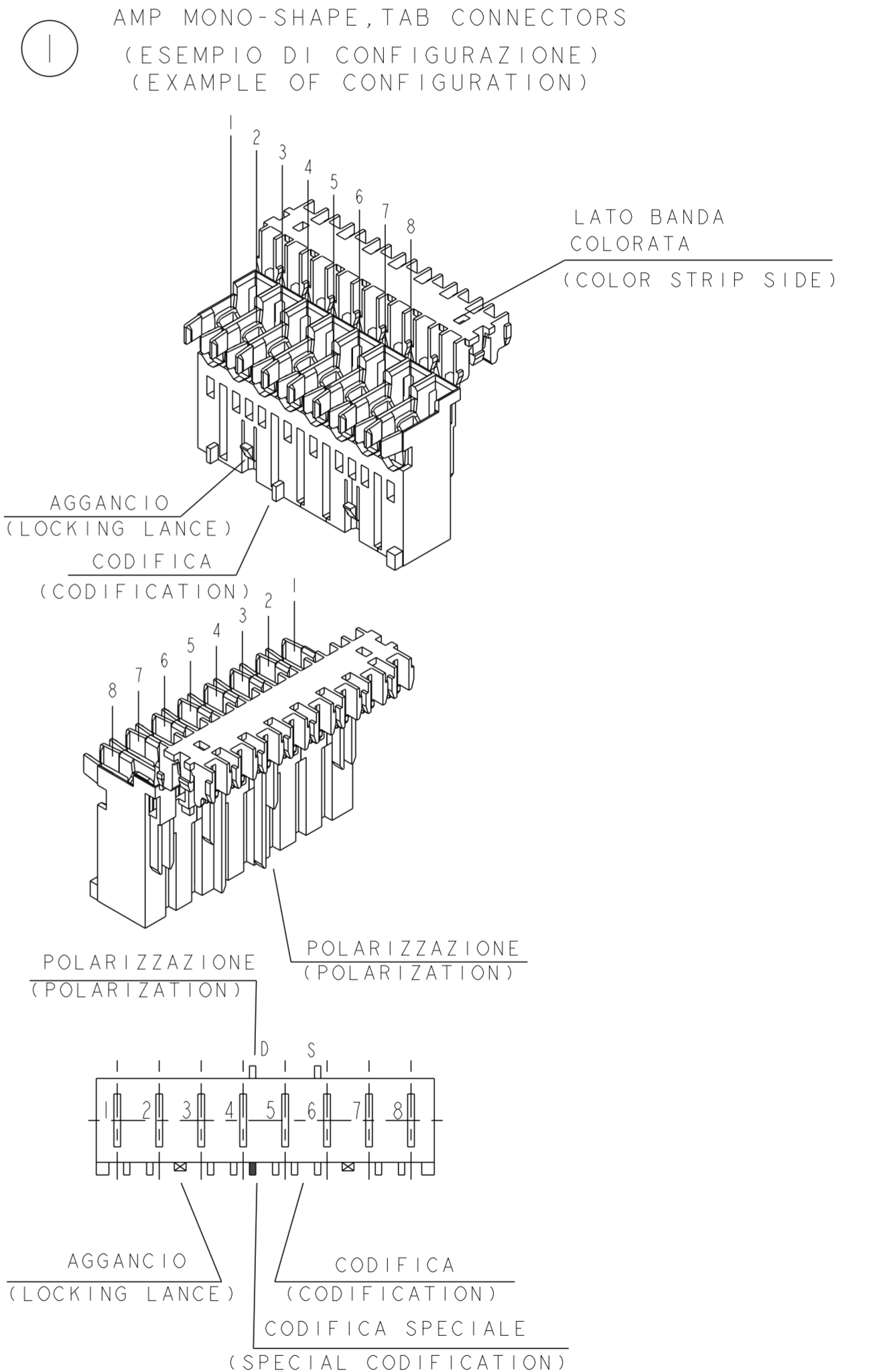
THIS DRAWING IS UNPUBLISHED. RELEASED FOR PUBLICATION  
 © COPYRIGHT 2011 ALL RIGHTS RESERVED.

LOC	DIST	REVISIONS			
P	LTR	DESCRIPTION	DATE	DWN	APVD
-	-	SEE SHEET 1			

NUMERO DI VIE NO OF POS	CONFIGURAZIONE (Vista connettore dall'alto) CONFIGURATION (View from top side)	TE PART NUMBER ASSY CONN.		VERSIONE PEZZI IN VASSOIO	VERSIONE PEZZI SCIOLTI	POSIZIONE POLARIZ. (LATO POSTERIORE)	POSIZIONE AGGANCIO (LATO ANTERIORE)	POSIZIONE CODIFICA SPECIALE (LATO ANTERIORE)	L +0.2 -0.3 (mm)	NOTE MARCHIATURA CON BANDA COLORATA	POSSIBLE RAST 5 POLARIZ.
		TRAY PACKAGING VERSION	PART REV								
4		1-282004-1	V	2-282004-1	V	1D	1-2	2D	19.9	GRIGIO GREY	04-A
4		1-282004-2	V	2-282004-2	V	3D	2-3	-	19.9	NERO BLACK	04-D
4		1-282004-3	V	2-282004-3	V	1D	1-2	2D	19.9	ROSSO RED	04-A
4		1-282004-4	S	-	-	3D	1-2	-	19.9	BLU BLUE	-
4		3-282004-4	AA	-	-	4D	3-4	-	19.9	-	04-A
4		4-282004-4	I	-	-	1S	1-2	-	19.9	-	-
5		1-282005-1	V	2-282005-1	V	4D	4-5	-	24.9	ROSSO RED	-
5		1-284545-1	Z	-	-	2S	4-5	-	24.9	ROSSO RED	-
5		1-284545-2	A	-	-	1S	-	3D	24.9	-	-
5		1-284545-3	A	-	-	5D	3-4	-	24.9	BLU BLUE	-
5		1-293003-5	Z	-	-	-	4-5	-	24.9	NERO BLACK	-
6		1-282006-2	V	2-282006-2	V	2S	2-3	-	29.9	VIOLA VIOLET	-
6		1-282006-3	V	2-282006-3	V	5D	4-5	-	29.9	-	-
6		2-282006-4	V	-	-	4D - 5D	-	5S	29.9	NERO BLACK	-
6		1-284745-1	Z	-	-	3D	4-5	-	29.9	ROSSO RED	-
6		1-284745-2	I	-	-	5D	-	4D	29.9	RED	-
6		1-284745-3	AA	-	-	6D	3-4	-	29.9	VIOLET	-
6		1-284745-4	AA	-	-	5D	-	-	29.9	ORANGE	-
7		1-282007-1	V	2-282007-1	V	1S	1-2	3S	34.9	-	-
7		2-282007-2	V	-	-	5D	5-6	-	34.9	-	-
7		2-282007-3	I	-	-	4D	-	6S	34.9	VIOLA VIOLET	-
7		2-282007-3	I	-	-	6D	5-6	-	34.9	-	-
7		3-282007-2	AA	-	-	1S - 2S - 2D 3S - 3D - 4D 5S - 6S - 6D 7S - 7D	1-2	5S	34.9	-	-
7		1-284397-1	Z	-	-	-	1-2	-	34.9	NERO BLACK	-
7		1-293004-7	Z	-	-	2D	1-2	-	34.9	ROSSO RED	-
7		2-293004-7	I	-	-	-	5-6	-	34.9	GRIGIO GREY	-
8		0-284085-1	V	2-284085-1	V	-	1-2	-	39.9	-	-
8		0-284085-2	V	2-284085-2	V	2D - 6S 4D - 6D	2-3	4S	39.9	VIOLA VIOLET	-

VISTE SOLO PER RIFERIMENTO  
 VIEWS ONLY FOR REFERENCE

LEGENDA  
 (DESCRIPTION)



THIS DRAWING IS A CONTROLLED DOCUMENT.		DWN G. ENDRIZZI	23 JUL 1995	TE Connectivity MONO-SHAPE MK1 TAB CONNECTORS 2-10 POS.
DIMENSIONS: mm		CHK G. TURCO	23 JUL 1995	
TOLERANCES UNLESS OTHERWISE SPECIFIED: 0 PLC ±: 1 PLC ±: 2 PLC ±: 3 PLC ±: 4 PLC ±: PLC ANGLES ±		APVD G. TURCO	23 JUL 1995	
MATERIAL SEE TABLE		FINISH SEE TABLE	PRODUCT SPEC 108-20065-1, 108-20065-2 APPLICATION SPEC 114-20016, 114-20016-1	
WEIGHT SEE TABLE		Customer Drawing		SIZE A2
SCALE -		SHEET 3 OF 6		RESTRICTED TO REV AA36

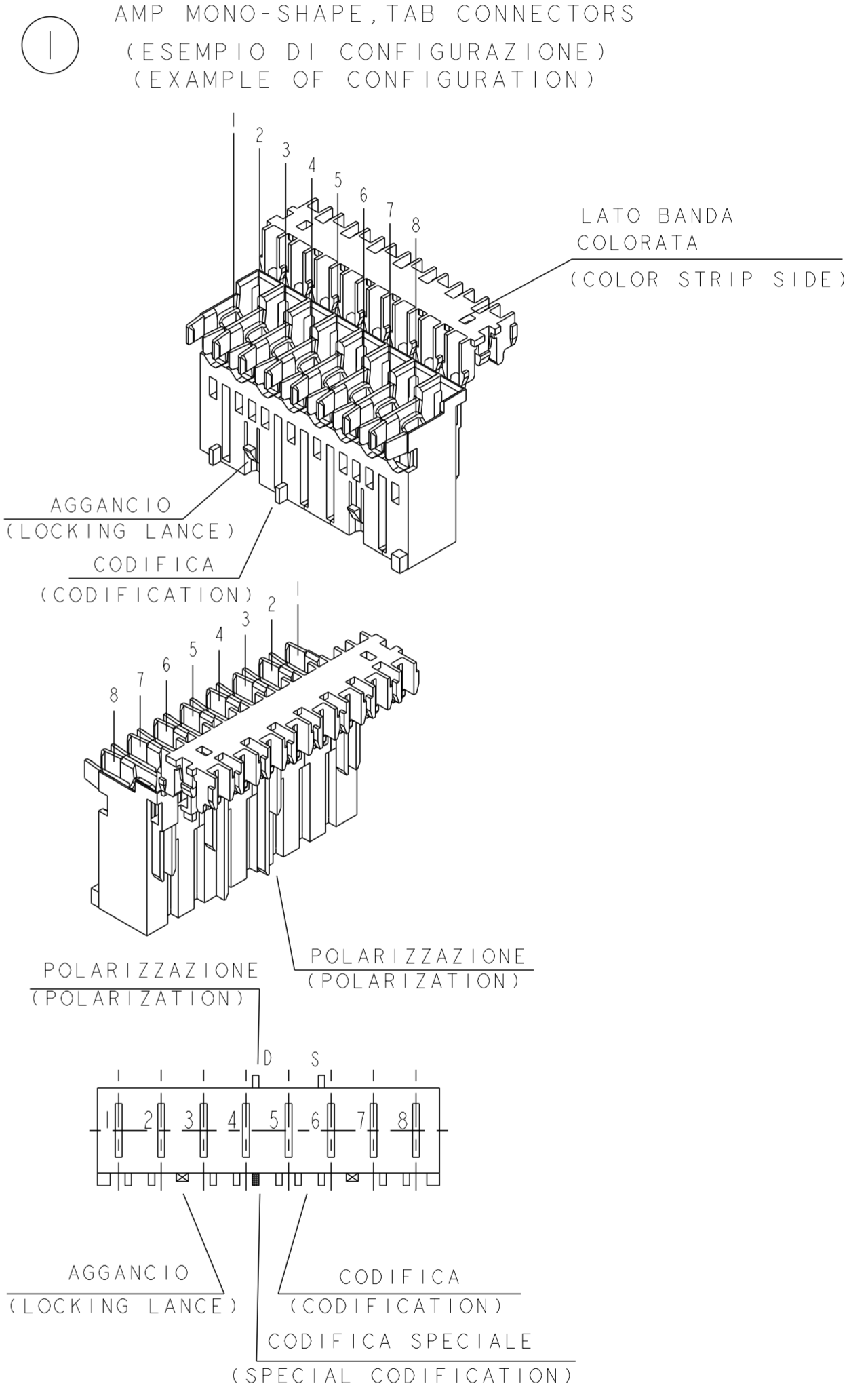
THIS DRAWING IS UNPUBLISHED. RELEASED FOR PUBLICATION  
 © COPYRIGHT 2011 ALL RIGHTS RESERVED.

LOC		DIST		REVISIONS			
P	LTR	DESCRIPTION		DATE	DWN	APVD	
-	-	SEE SHEET 1					

NUMERO DI VIE	CONFIGURAZIONE (Vista connettore dall'alto)	TE PART NUMBER ASSY CONN.				POSIZIONE POLARIZ. (LATO POSTERIORE)	POSIZIONE AGGANCIO (LATO ANTERIORE)	POSIZIONE CODIFICA SPECIALE (LATO ANTERIORE)	L +0.2 / -0.3 (mm)	NOTE MARCHIATURA CON BANDA COLORATA
		VERSIONE PEZZI IN VASSOIO	TRAY PACKAGING VERSION	PART REV	LOOSE PIECES PACKAGING VERSION					
10		1-282010-1	V	2-282010-1	V	6D 8S	4-5 8-9	6S	49.9	-
10		0-284004-1	V	-	-	6D 8S	4-5 8-9	6S	49.9	-

VISTE SOLO PER RIFERIMENTO  
 VIEWS ONLY FOR REFERENCE

LEGENDA  
 (DESCRIPTION)



THIS DRAWING IS A CONTROLLED DOCUMENT.		DWN G. ENDRIZZI 23 JUL 1995	TE Connectivity	
DIMENSIONS: mm		CHK G. TURCO 23 JUL 1995		
TOLERANCES UNLESS OTHERWISE SPECIFIED:		APVD G. TURCO 23 JUL 1995	NAME MONO-SHAPE MK1 TAB CONNECTORS 2-10 POS.	
0 PLC ±		PRODUCT SPEC 108-20065-1, 108-20065-2	RESTRICTED TO	
1 PLC ± > 0.3		APPLICATION SPEC 114-20016, 114-20016-1	SIZE A2	CAGE CODE 0779
2 PLC ±		WEIGHT --	DRAWING NO C-282002	REV AA36
3 PLC ±			SCALE -	SHEET 4 OF 6
4 PLC ±				
ANGLES ±				
FINISH				
MATERIAL SEE TABLE		Customer Drawing		

THIS DRAWING IS UNPUBLISHED. RELEASED FOR PUBLICATION  
 © COPYRIGHT 2011 ALL RIGHTS RESERVED.

LOC		DIST		REVISIONS			
P	LTR	DESCRIPTION	DATE	DWN	APVD		
-	-	SEE SHEET 1					

### PA GF, UL-VO GWPT 750° C NO FLAME, NATURAL

No. of POS.	CONFIGURATION ONLY FOR REF	ON TRAY		LOOSE PIECES		SEE SHEET 1 FOR ADDITIONAL DETAILS AND NOTES					POSSIBLE RAST 5 POLARIZ.
		P/N ASS'Y	PART REV.	P/N ASS'Y	PART REV.	POLARIZ. POSITION (BACK SIDE)	LOCKING POSITION (FRONT SIDE)	SPECIAL CODIFICAT. POSITION (FRONT SIDE)	L (mm)	COLOR CODE	
2		2293382-2	AA			1S 2D	1-2	-	9.9		02-B 02-E 02-F
2		1-2293382-2	AA			1S 2D	1-2		9.9	GREEN	02-B 02-E 02-F
	2					1D 2D	1-2	-	9.9		
	2		AA			1D 2S	1-2	-	9.9	BLUE	02-A
	2		I			1S 1D	1-2	-	9.9		
	2		AA			1S 2D	1-2	-	9.9	GREY	02-B 02-E 02-F
	3		AA			2S	2-3	-	14.9		
	3		AA			-	1-2	-	14.9	VIOLET	-
	3		AA			1D	1-2	-	14.9	ORANGE	03-A 03-1
	3		I			1S 1D	1-2	-	14.9		
	3		AA			1D 2S 2D 3S	1-2	-	14.9		
	3		I			1S 3D	2-3	-	14.9		
	3		AA			1S 1D 2S 2D	1-2	-	14.9		
	3		AA			1S 3D	1-2	-	14.9	GREEN	03-F
	4		AA			1D	1-2 3-4	2D	19.9	GREY	04-A
	4		AA			1S 4D	1-2 3-4	-	19.9		
	4		I			TBD	TBD	TBD	19.9		
	5		AA			-	4-5	-	24.9		
	5		AA			-	3-4	3S	24.9		
	6		I			TBD	TBD	TBD	29.9		



THIS DRAWING IS A CONTROLLED DOCUMENT.		DWN G. ENDRIZZI 23 JUL 1995	TE Connectivity NAME MONO-SHAPE MK1 TAB CONNECTORS 2-10 POS.
DIMENSIONS: mm		CHK G. TURCO 23 JUL 1995	
TOLERANCES UNLESS OTHERWISE SPECIFIED: 0 PLC ± 1 PLC ± 2 PLC ± 3 PLC ± 4 PLC ± ANGLES ± FINISH ±		APVD G. TURCO 23 JUL 1995	
		PRODUCT SPEC 108-20065-1, 108-20065-2 APPLICATION SPEC 114-20016, 114-20016-1	
MATERIAL SEE TABLE	FINISH SEE TABLE	WEIGHT --	SIZE A20779 CAGE CODE C-282002 DRAWING NO Customer Drawing RESTRICTED TO - SCALE - SHEET 5 OF 6 REV AA36

THIS DRAWING IS UNPUBLISHED. RELEASED FOR PUBLICATION  
 © COPYRIGHT 2011 ALL RIGHTS RESERVED.

LOC		DIST		REVISIONS			
P	LTR	DESCRIPTION	DATE	DWN	APVD		
		SEE SHEET 1					

### PA GF, UL-V0 GWEPT 750° C NO FLAME, NATURAL

No. of POS.	CONFIGURATION ONLY FOR REF	ON TRAY		LOOSE PIECES		SEE SHEET 1 FOR ADDITIONAL DETAILS AND NOTES					
		P/N ASS'Y	PART REV.	P/N ASS'Y	PART REV.	POLARIZ. POSITION (BACK SIDE)	LOCKING POSITION (FRONT SIDE)	SPECIAL CODIFICAT. POSITION (FRONT SIDE)	L (mm)	COLOR CODE	POSSIBLE RAST 5 POLARIZ.
7		2293382-7	1			-	1-2 5-6	-	34.9		
7		2-2293382-7	1			1S 2S 2D 3S 3D 4D 5S 6S 6D 7S 7D	1-2 5-6		34.9		
8		2293382-8	1			TBD	TBD	TBD	39.9		
9		2293382-9	1			TBD	TBD	TBD	44.9		
10		1-2293382-0	1			6D 8S	4-5 8-9	6S	49.9		

THIS DRAWING IS A CONTROLLED DOCUMENT.		DWN G. ENDRIZZI 23 JUL 1995	TE Connectivity MONO-SHAPE MK1 TAB CONNECTORS 2-10 POS.	
DIMENSIONS: mm		CHK G. TURCO 23 JUL 1995		
TOLERANCES UNLESS OTHERWISE SPECIFIED:		APVD G. TURCO 23 JUL 1995	NAME	
0 PLC ± 1 PLC ± 2 PLC ± 3 PLC ± 4 PLC ± ANGLES ± FINISH		PRODUCT SPEC 108-20065-1, 108-20065-2	RESTRICTED TO	
MATERIAL		APPLICATION SPEC 114-20016, 114-20016-1	SIZE A200779	CAGE CODE C-282002
SEE TABLE		WEIGHT -	DRAWING NO C-282002	
		Customer Drawing	SCALE -	SHEET 6 OF 6
			REV AA36	

## Looking for pricing, stock, or lifecycle information?

Click below to explore more details on WIN SOURCE:

 [View 1-282002-1 on WIN SOURCE](#)

 [TE Connectivity](#) Information

## Optimize Your Supply Chain with WIN SOURCE Solutions

-  Global Sourcing Solution
-  Obsolete Management
-  Cost Control Management
-  Shortage Management
-  Alternative Solution
-  Excess Inventory Management