



**THE DATASHEET OF  
V3021SO8A+**



# Ultra Low Power 1-Bit 32 kHz RTC

## Description

The V3021 is a low power CMOS real time clock. Data is transmitted serially as 4 address bits and 8 data bits, over one line of a standard parallel data bus. The device is accessed by chip select ( $\overline{CS}$ ) with read and write control timing provided by either  $\overline{RD}$  and  $\overline{WR}$  pulse (Intel CPU) or  $\overline{DS}$  with advanced R/ $\overline{W}$  (Motorola CPU). Data can also be transmitted over a conventional 3 wire serial interface having CLK, data I/O and strobe. The V3021 has no busy states and there is no danger of a clock update while accessing. Supply current is typically 800 nA at  $V_{DD} = 3.0V$ . Battery operation is supported by complete functionality down to 2.0V. The oscillator is typically 0.3 ppm/V.

## Applications

- Utility meters
- Battery operated and portable equipment
- Consumer electronics
- White/brown goods
- Pay phones
- Cash registers
- Personal computers
- Programmable controller systems
- Data loggers
- Automotive systems

## Features

- Supply current typically 800 nA at 3V
- 50 ns access time with 50 pF load capacitance
- Fully operational from 2.0V to 5.5V
- No busy states or danger of a clock update while accessing
- Serial communication on one line of a standard parallel data bus or over a conventional 3 wire serial interface
- Interface compatible with both Intel and Motorola
- Seconds, minutes, hours, day of month, month, year, week day and week number in BCD format
- Leap year and week number correction
- Time set lock mode to prevent unauthorized setting of the current time or date
- Oscillator stability 0.3 ppm / volt
- No external capacitor needed
- Frequency measurement and test modes
- Temperature range: -40°C to +85°C
- On request extended temperature range, -40°C to +125°C
- Packages DIP8 and SO8

## Typical Operating Configuration

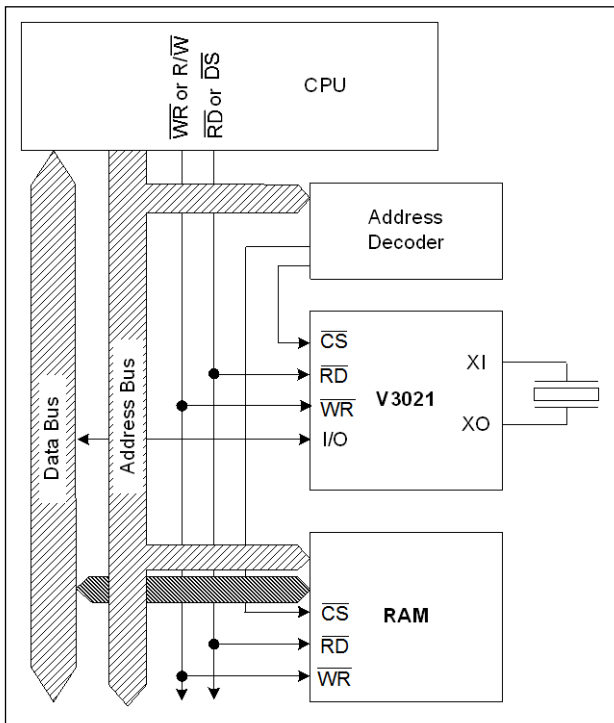


Fig. 1

## Pin Assignment

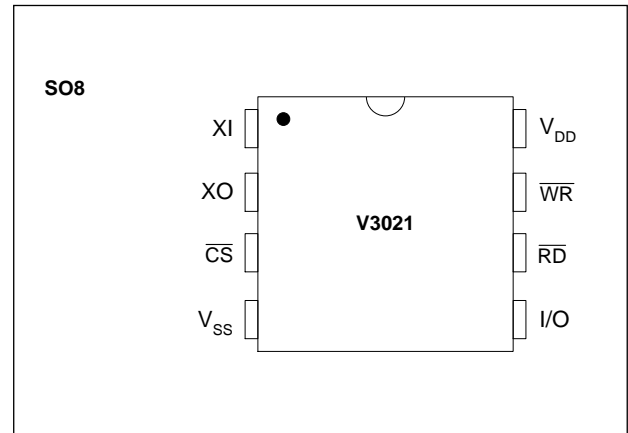


Fig. 2

**Absolute Maximum Ratings**

Parameter	Symbol	Conditions
Maximum voltage at $V_{DD}$	$V_{DDmax}$	$V_{SS} + 7.0V$
Minimum voltage at $V_{DD}$	$V_{DDmin}$	$V_{SS} - 0.3V$
Maximum voltage at any signal pin	$V_{max}$	$V_{DD} + 0.3V$
Minimum voltage at any signal pin	$V_{min}$	$V_{SS} - 0.3V$
Maximum storage temperature	$T_{STOmax}$	+150°C
Minimum storage temperature	$T_{STOmin}$	-65°C
Electrostatic discharge maximum to MIL-STD-883C method 3015.7 with ref. to $V_{SS}$	$V_{Smax}$	1000V
Maximum soldering conditions	$T_{Smax}$	250°C x 10s

**Table 1**

Stresses above these listed maximum ratings may cause permanent damages to the device. Exposure beyond specified operating conditions may affect device reliability or cause malfunction.

**Handling Procedures**

This device has built-in protection against high static voltages or electric fields; however, anti-static precautions must be taken as for any other CMOS component. Unless otherwise specified, proper operation can only occur when all terminal voltages are kept within the voltage range. Unused inputs must always be tied to a defined logic voltage level.

**Operating Conditions**

Parameter	Symbol	Min	Typ	Max	Unit
Operating temperature	$T_A$	-40		+125	°C
Logic supply voltage	$V_{DD}$	2.0	5.0	5.5	V
Supply voltage dv/dt (power-up & power-down)				6	V/ $\mu$ s
Decoupling capacitor			100		nF
<b>Crystal Characteristics</b>					
Frequency <sup>1)</sup>	f		32.768		kHz
Load capacitance	$C_L$	7	8.2	12.5	pF
Series resistance	$R_S$		35	50	k $\Omega$

**Table 2**

1) See Fig. 3

**Electrical Characteristics (standard temperature range)**

$V_{DD} = 5.0V \pm 10\%$ ,  $V_{SS} = 0V$  and  $T_A = -40$  to  $+85^\circ C$ , unless otherwise specified

Parameter	Symbol	Test Conditions	Min	Typ	Max	Unit
Total static supply	$I_{SS}$	All outputs open, all inputs at $V_{DD}$ $V_{DD} = 3.0V$ , address 0 = 0		0.8	1.8	$\mu A$
Total static supply	$I_{SS}$	All outputs open, all inputs at $V_{DD}$ $V_{DD} = 5V$ , address 0 = 0 $T_A = +25^\circ C$		1.3	10	$\mu A$
Dynamic current	$I_{SS}$	I/O to $V_{SS}$ through 1M $\Omega$ $\overline{RD} = V_{SS}$ , $\overline{WR} = V_{DD}$ , $\overline{CS} = 4$ MHz address 0 = 0, read all 0			300	$\mu A$
<b>Input / Output</b>						
Input logic low	$V_{IL}$				1.0	V
Input logic high	$V_{IH}$		3.5			V
Output logic low	$V_{OL}$	$I_{OL} = 4$ mA			0.4	V
Output logic high	$V_{OH}$	$I_{OH} = 4$ mA	2.4			V
Input leakage	$I_{IN}$	$0.0 < V_{IN} < 5.0V$		0.1	1	$\mu A$
Output tri-state leakage on I/O pin	$I_{TS}$	$\overline{CS}$ high, and address 0, bit 0, low		0.1	1	$\mu A$
<b>Oscillator</b>						
Starting voltage	$V_{STA}$		1.8			V
Input capacitance on XI	$C_{IN}$	$T_A = +25^\circ C$		13		pF
Output capacitance on XO	$C_{OUT}$	$T_A = +25^\circ C$		9		pF
Start-up time	$T_{STA}$			1		s
Frequency stability	$\Delta f/f$	$1.5 \leq V_{DD} \leq 5.5V$ , $T_A = +25^\circ C$		0.3	0.5	ppm/V
<b>Frequency Measurement Mode</b>						
Current source on I/O pin pulsed on/off @ 256 Hz	$I_{ONF}$	$\overline{CS}$ high, addr.0, bit 0, high $V_{I/O} = 1V$	10	25	60	$\mu A$

**Table 3**



**Electrical Characteristics (extended temperature range)**

V<sub>DD</sub>= 5.0V ±10%, V<sub>SS</sub> = 0V and T<sub>A</sub>=-40 to +125°C, unless otherwise specified

Parameter	Symbol	Test Conditions	Min	Typ	Max	Unit
Total static supply	I <sub>SS</sub>	All outputs open, all inputs at V <sub>DD</sub> V <sub>DD</sub> = 3.0V, address 0 = 0			4.9	µA
Total static supply	I <sub>SS</sub>	All outputs open, all inputs at V <sub>DD</sub> address 0 = 0			8.3	µA
Dynamic current	I <sub>SS</sub>	I/O to V <sub>SS</sub> through 1MΩ RD = V <sub>SS</sub> , WR = V <sub>DD</sub> , CS = 4 MHz address 0 = 0, read all 0			300	µA
<b>Input / Output</b>						
Input logic low	V <sub>IL</sub>				1.0	V
Input logic high	V <sub>IH</sub>		3.5			V
Output logic low	V <sub>OL</sub>	I <sub>OL</sub> = 4 mA			0.4	V
Output logic high	V <sub>OH</sub>	I <sub>OH</sub> = 4 mA	2.4			V
Input leakage	I <sub>IN</sub>	0.0 < V <sub>IN</sub> < 5.0V		0.1	1	µA
Output tri-state leakage on I/O pin	I <sub>TS</sub>	CS high, and address 0, bit 0, low		0.1	1	µA
<b>Oscillator</b>						
Starting voltage	V <sub>STA</sub>		2.0			V
Supply voltage dV/dt (power-up & power-down)		+85°C ≤ T <sub>A</sub> ≤ +125°C	0.006		6	V/µs
Input capacitance on XI	C <sub>IN</sub>	T <sub>A</sub> = +25°C		13		pF
Output capacitance on XO	C <sub>OUT</sub>	T <sub>A</sub> = +25°C		9		pF
Series resistance of the crystal	R <sub>S</sub>	-40°C ≤ T <sub>A</sub> ≤ +85°C			90	kΩ
Start-up time	T <sub>STA</sub>	T <sub>A</sub> = +125°C (note 1)		10		s
Frequency stability	Δf/f	2.0 ≤ V <sub>DD</sub> ≤ 5.5V, T <sub>A</sub> = +25°C		0.3	0.5	ppm/V
<b>Frequency Measurement Mode</b>						
Current source on I/O pin pulsed on/off @ 256 Hz	I <sub>ONF</sub>	CS high, addr.0, bit 0, high V <sub>I/O</sub> = 1V	8	25	60	µA

Table 3 ex

**Note 1:** Analyses done at high temperature with crystal type Micro Crystal CX2V-02

The V3021 will run slightly too fast, in order to allow the user to adjust the frequency, depending on the mean operating temperature. This is made since the crystal adjustment can only work by lowering the frequency with an added capacitor between XO and V<sub>SS</sub>. The printed

circuit capacitance has also to be taken into consideration. The V3021 in DIL 8 package, running with an 8.2 pF crystal at room temperature, will be adjusted to better than ±1s/day with a 6.8 pF capacitor.

### Typical Frequency on I/O Pin

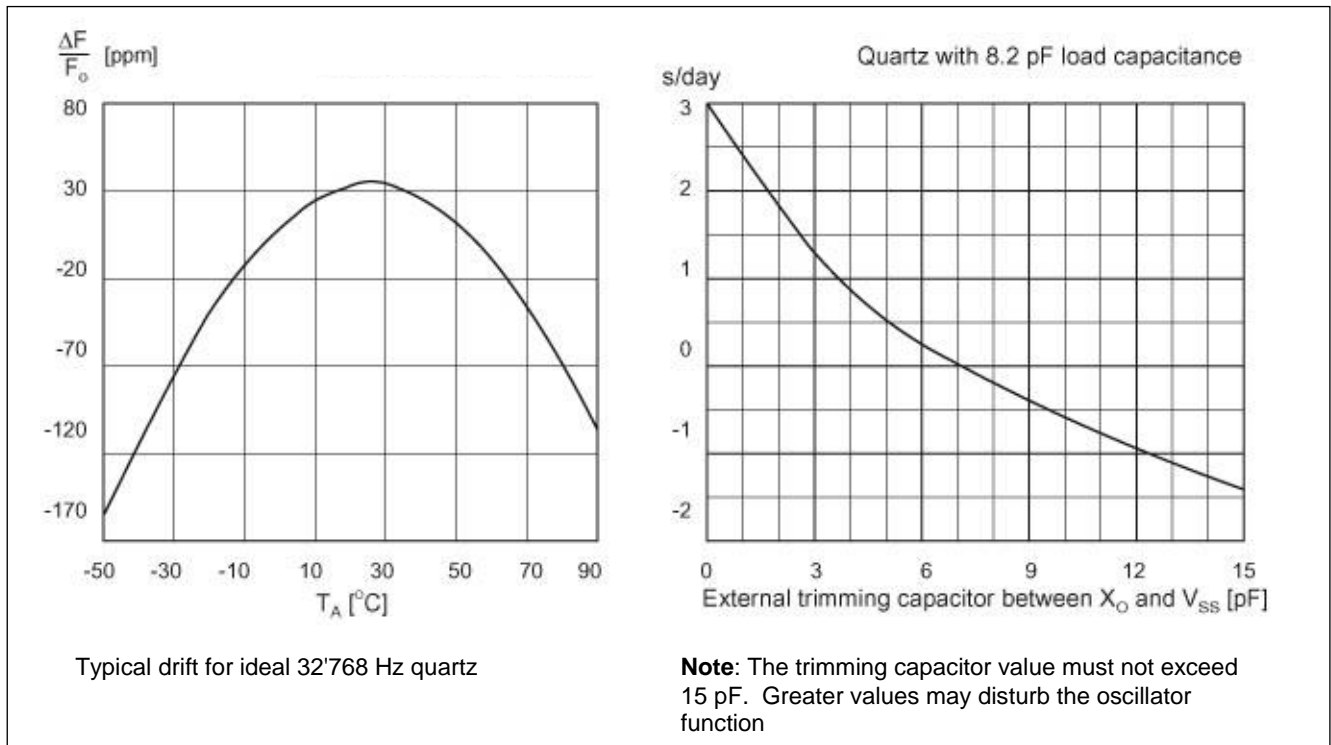


Fig. 3

### Quartz Characteristics

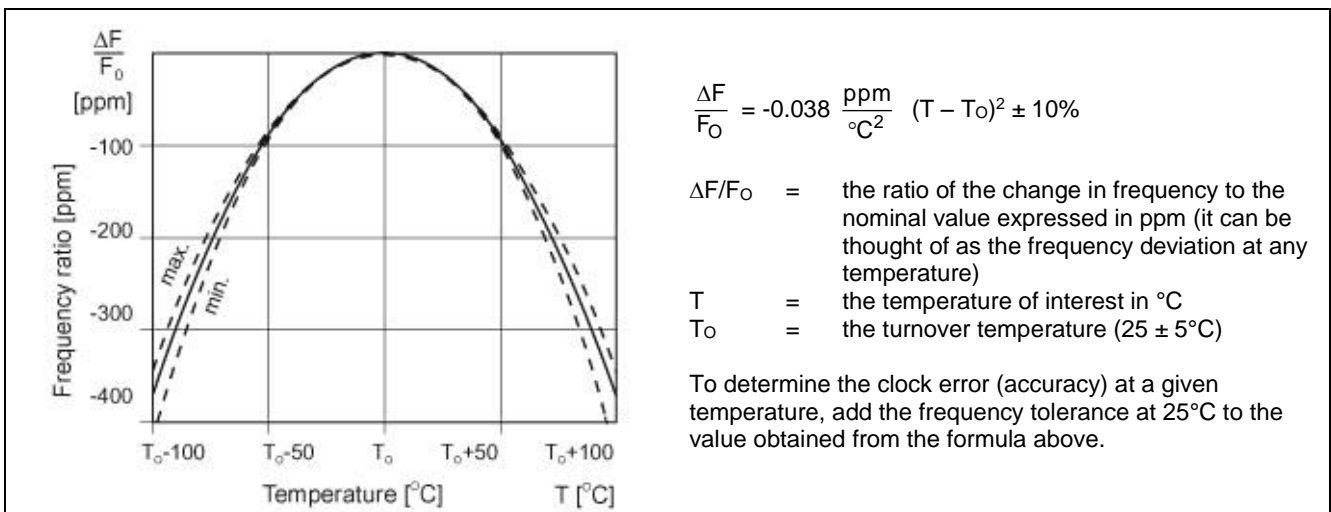


Fig. 4

**Timing Characteristics (standard temperature range)** $V_{SS} = 0V$  and  $T_A = -40$  to  $+85^\circ C$ , unless otherwise specified

Parameter	Symbol	Test Conditions	Min.	Max.	Min.	Typ.	Max.	Unit
			$V_{DD} \geq 2V$		$V_{DD} = 5.0V \pm 10\%$			
Chip select duration	$t_{CS}$	Write cycle	200		50			ns
RAM access time (note 1)	$t_{ACC}$	$C_{LOAD} = 50pF$		180		50	60	ns
Time between two transfers	$t_w$		500		100			ns
Rise time (note 2)	$t_R$		10	200	10		200	ns
Fall time (note 2)	$t_F$		10	200	10		200	ns
Data valid to Hi-impedance (note 3)	$t_{DF}$		10	100	15	30	40	ns
Write data settle time (note 4)	$t_{DW}$		60		50			ns
Data hold time (note 5)	$t_{DH}$		80		25			ns
Advance write time	$t_{ADW}$		25		10			ns
Write pulse time (note 6)	$t_{WC}$		200		50			ns

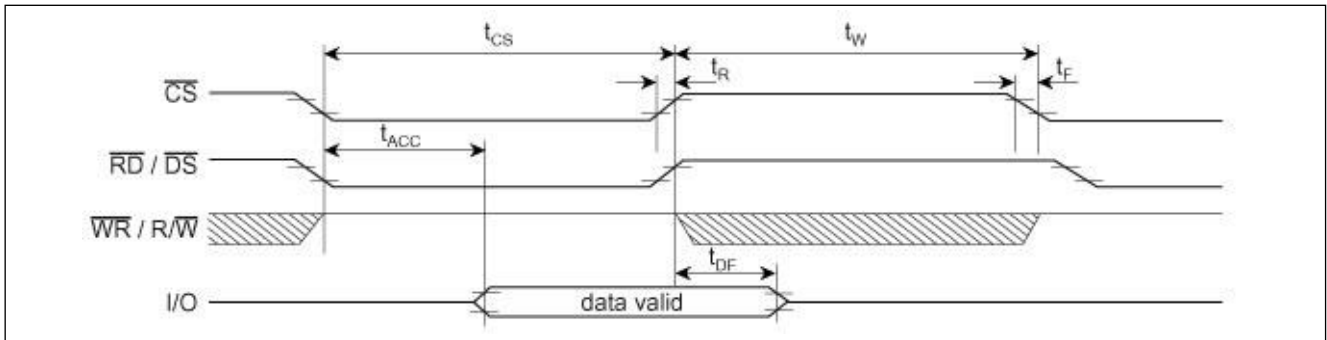
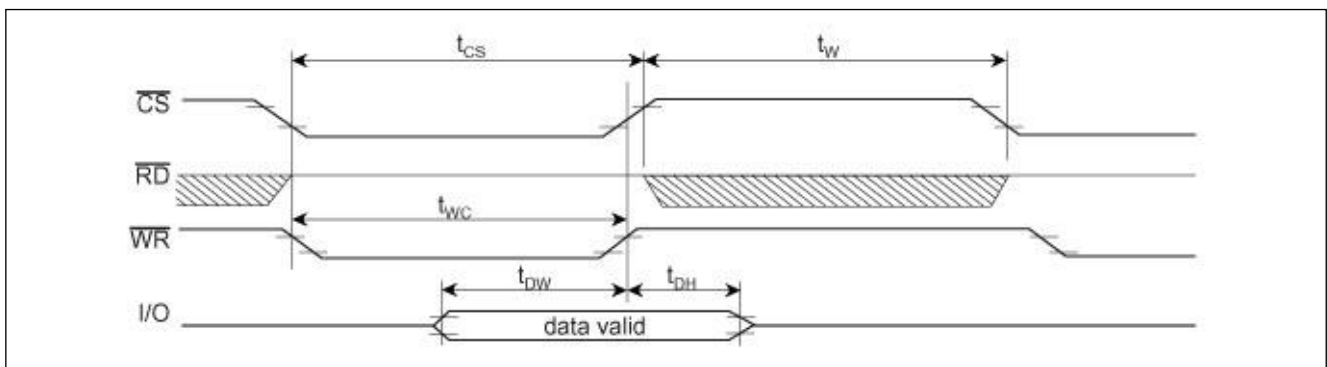
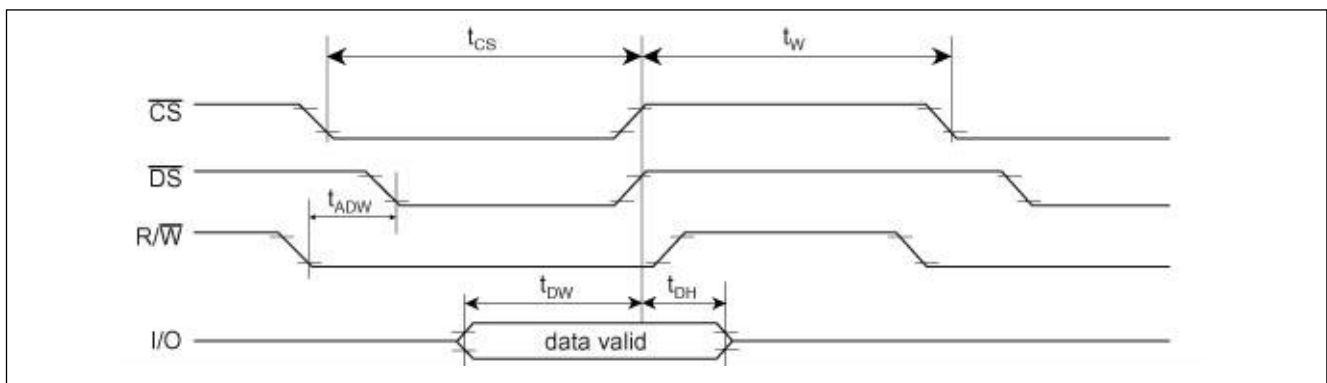
Table 4

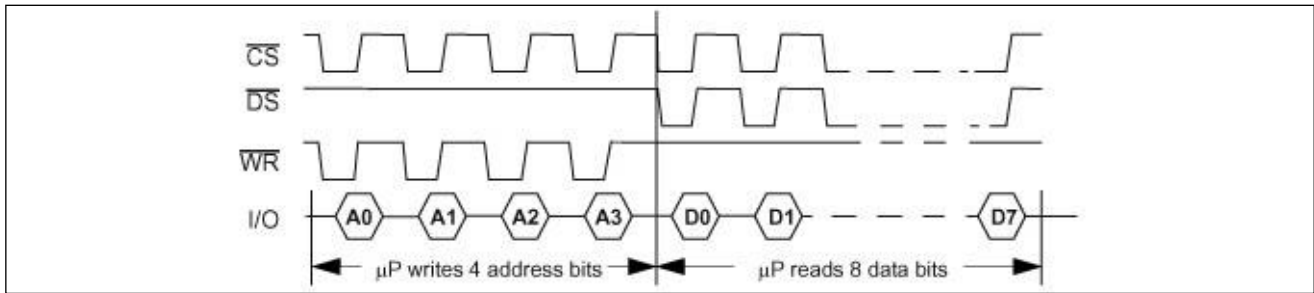
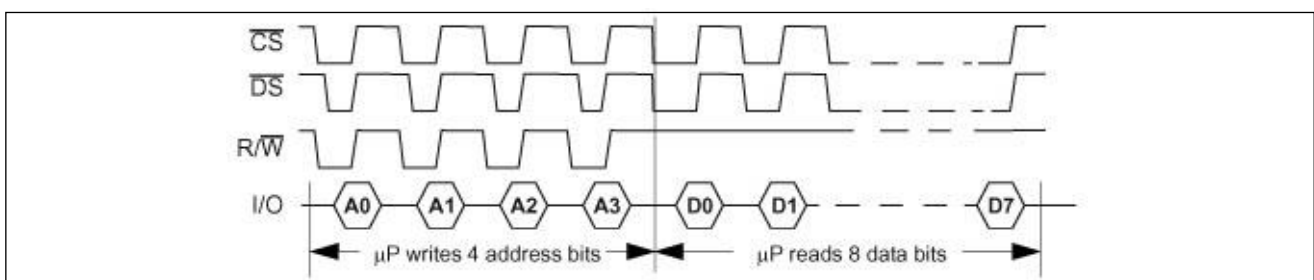
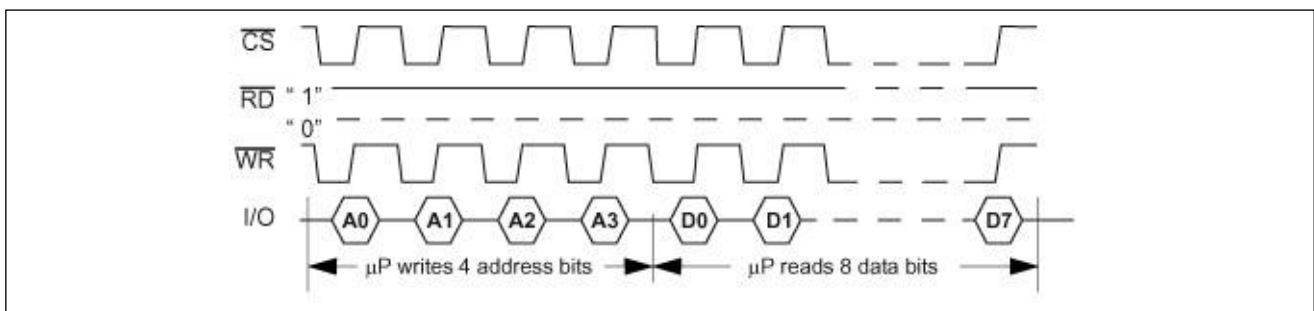
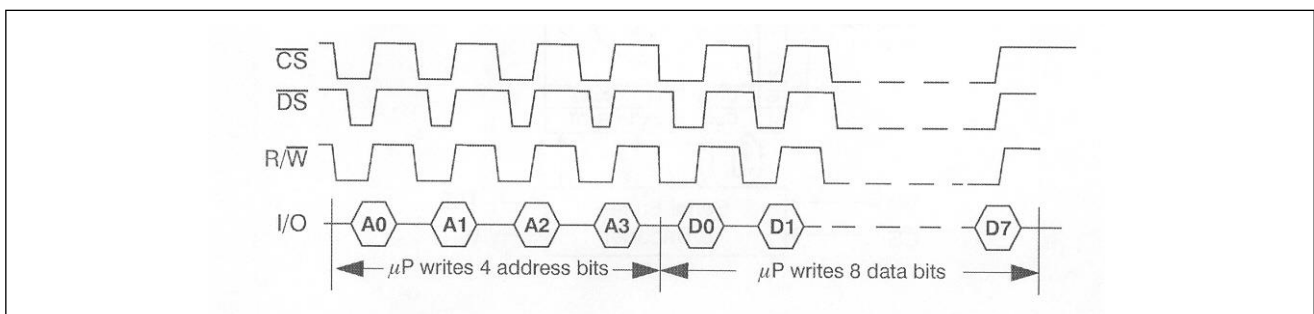
**Timing Characteristics (standard temperature range)** $V_{SS} = 0V$  and  $T_A = -40$  to  $+125^\circ C$ , unless otherwise specified

Parameter	Symbol	Test Conditions	Min.	Max.	Min.	Typ.	Max.	Unit
			$V_{DD} \geq 2V$		$V_{DD} = 5.0V \pm 10\%$			
Chip select duration	$t_{CS}$	Write cycle	200		60			ns
RAM access time (note 1)	$t_{ACC}$	$C_{LOAD} = 50pF$		180		50	60	ns
Time between two transfers	$t_w$		500		120			ns
Rise time (note 2)	$t_R$		10	100	10		100	ns
Fall time (note 2)	$t_F$		10	100	10		100	ns
Data valid to Hi-impedance (note 3)	$t_{DF}$		10	100	5	30	50	ns
Write data settle time (note 4)	$t_{DW}$		60		50			ns
Data hold time (note 5)	$t_{DH}$		80		25			ns
Advance write time	$t_{ADW}$		25		15			ns
Write pulse time (note 6)	$t_{WC}$		200		60			ns

Table 4 ex.

**Note 1:**  $t_{ACC}$  starts from  $\overline{RD}$  or  $\overline{CS}$ , whichever activates lastTypically,  $t_{ACC} = 5 + 0.9 C_{EXT}$  in ns; where  $C_{EXT}$  (external parasitic capacitance) is in pF**Note 2:**  $\overline{CS}$ ,  $\overline{RD}$ ,  $\overline{DS}$ ,  $\overline{WR}$  and  $R/\overline{W}$  rise and fall times are specified by  $t_R$  and  $t_F$ **Note 3:**  $t_{DF}$  starts from  $\overline{RD}$  or  $\overline{CS}$ , whichever deactivates first**Note 4:**  $t_{DW}$  ends at  $\overline{WR}$  or  $\overline{CS}$ , whichever deactivates first**Note 5:**  $t_{DH}$  starts from  $\overline{WR}$  or  $\overline{CS}$ , whichever deactivates first**Note 6:**  $t_{WC}$  starts from  $\overline{WR}$  or  $\overline{CS}$ , whichever activates last and ends at  $\overline{WR}$  or  $\overline{CS}$ , whichever deactivates first

**Timing Waveforms**
**Read Timing for Intel ( $\overline{RD}$  and  $\overline{WR}$  Pulse) and Motorola ( $\overline{DS}$  (or  $\overline{RD}$  pin tied to  $\overline{CS}$ ) and  $R/\overline{W}$ )**

**Fig. 5a**
**Write Timing for Intel ( $\overline{RD}$  and  $\overline{WR}$  Pulse)**

**Fig. 5b**
**Write Timing for Motorola ( $\overline{DS}$  (or  $\overline{RD}$  pin tied to  $\overline{CS}$ ) and  $R/\overline{W}$ )**

**Fig. 5c**

**Communication Cycles**
**Read Data Cycle for Intel ( $\overline{RD}$  and  $\overline{WR}$  Pulse)**

**Fig. 6a**
**Read Data Cycle for Motorola ( $\overline{DS}$  (or  $\overline{RD}$  pin tied to  $\overline{CS}$ ) and  $R/\overline{W}$ )**

**Fig. 6b**
**Write Data Cycle for Intel ( $\overline{RD}$  and  $\overline{WR}$  Pulse)**

**Fig. 6c**
**Write Data Cycle for Motorola ( $\overline{DS}$  (or  $\overline{RD}$  pin tied to  $\overline{CS}$ ) and  $R/\overline{W}$ )**

**Fig. 6d**

**Address Command Cycle for Intel**  
( $\overline{RD}$  and  $\overline{WR}$  Pulse)

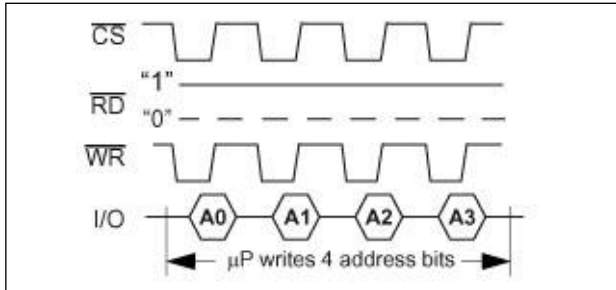


Fig. 6e

**Address Command Cycle for Motorola**  
( $\overline{DS}$  (or  $\overline{RD}$  pin tied to  $\overline{CS}$ ) and  $R/\overline{W}$ )

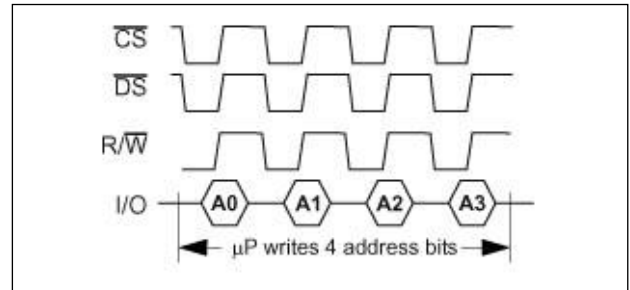


Fig. 6f

**Block Diagram**

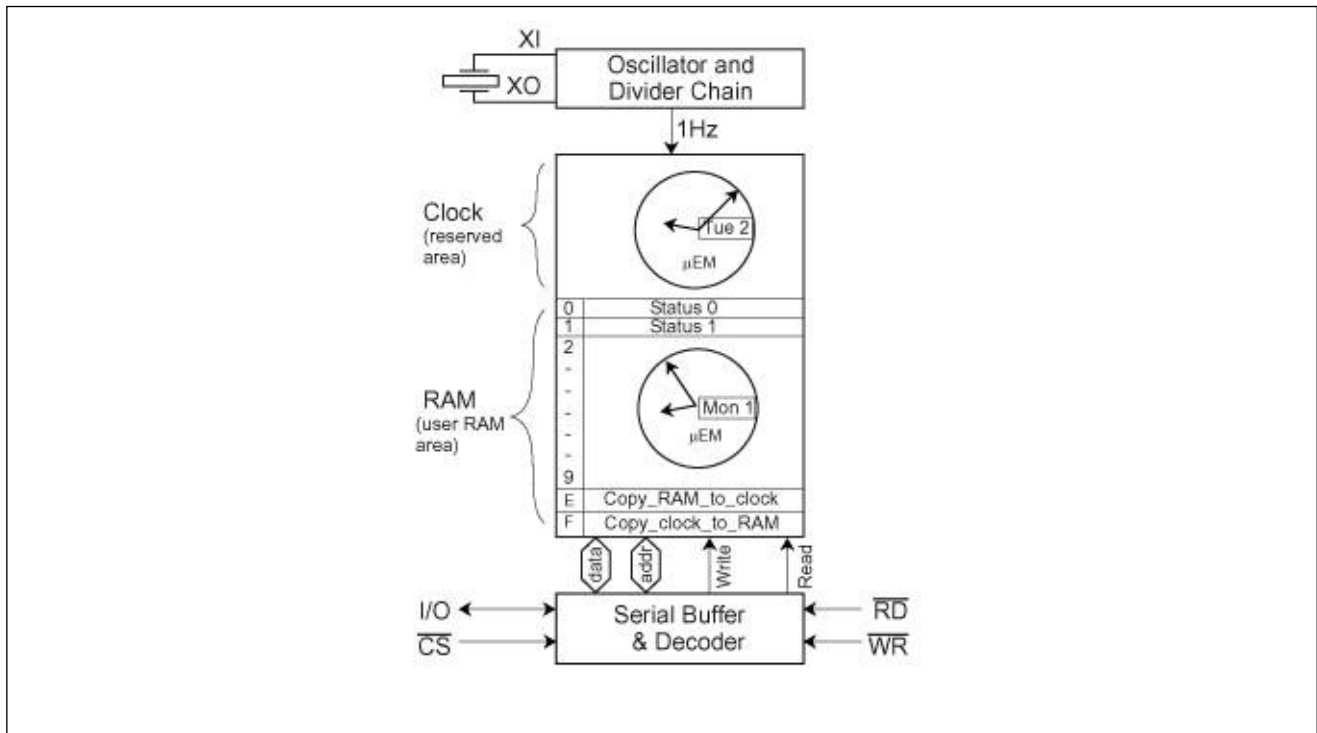


Fig. 7

**Pin Description**

Pin	Name	Function
1	XI	32 kHz crystal input
2	XO	32 kHz crystal output
3	$\overline{CS}$	Chip select input
4	V <sub>SS</sub>	Ground supply
5	I/O	Data input and output
6	$\overline{RD}$	Intel $\overline{RD}$ , Motorola $\overline{DS}$ (or tie to $\overline{CS}$ )
7	$\overline{WR}$	Intel $\overline{WR}$ , Motorola R/ $\overline{W}$
8	V <sub>DD</sub>	Positive supply

**Table 5**
**Functional Description**
**Serial Communication**

The V3021 resides on the parallel data and address buses as a standard peripheral (see Fig.13 and 14). Address decoding provides an active low chip select ( $\overline{CS}$ ) to the device. For Intel compatible bus timing the control signals  $\overline{RD}$  and  $\overline{WR}$  pulse and  $\overline{CS}$  are used for a single bit read or write (see Fig. 7a and 7b). Two options exist for Motorola compatible bus timing. The first is to use the control signals  $\overline{DS}$  with R/ $\overline{W}$  and  $\overline{CS}$ , the second is to tie the  $\overline{RD}$  input to  $\overline{CS}$  and use the control signals R/ $\overline{W}$  and  $\overline{CS}$  (see Fig. 7a and 7c). Data transfer is accomplished through a single input/output line (I/O). Any data bus line can be chosen. A conventional 3 wire serial interface can also be used to communicate with the V3021 (see Fig. 15).

**Communication Cycles**

The V3021 has 3 serial communication cycles. These are:

- 1) Read data cycle
- 2) Write data cycle
- 3) Address command cycle

A communication cycle always begins by writing the 4 address bits, A0 to A3. A microprocessor read from the V3021 cannot begin a communication cycle. Read and write data cycles are similar and consist of 4 address bits and 8 data bits. The 4 address bits, A0 to A3, define the RAM location and the 8 data bits D0 and D7 provide the relevant information. An address command cycle consists of only 4 address bits.

**Read Data Cycle**

A read data cycle commences by writing the 4 RAM address bits (A3, A2, A1 and A0) to the V3021. The LSB, A0, is transmitted first (see Fig. 6a and 6b). Eight microprocessor reads from the V3021 will read the RAM data at this address, beginning with the LSB, D0. The read data cycle finishes on reading the 8<sup>th</sup> data bit, D7.

**Write Data Cycle**

A write data cycle commences by writing the 4 RAM address bits (A3, A2, A1 and A0) to the V3021. The LSB, A0, is transmitted first (see Fig. 8c and 8d). Eight microprocessor writes to the V3021 will write the new RAM data. The LSB, D0, is loaded first. The write data cycle finishes on writing the 8<sup>th</sup> data bit, D7.

**Address Command Cycle**

An address command cycle consists of just 4 address bits. The LSB, A0, is transmitted first (see Fig. 8e and 8f). On writing the fourth address bit, A3, the address will be decoded. If the address bits are recognized as one of the command codes E hex or F hex (see Table 6), then the communication cycle is terminated and the corresponding command is executed. Subsequent microprocessor writes to the V3021 begin another communication cycle with the first bit being interpreted as the address LSB, A0.

**Clock Configuration**

The V3021 has a reserved clock area and a user RAM area (see Fig. 7). The clock is not directly accessible, it is used for internal time keeping and contains the current time and data. The contents of the RAM is shown in Table 6, it contains a data space and an address command space. The data space is directly accessible. Addresses 0 and 1 contain status information (see Tables 7a and 7b), addresses 2 to 5, time data, and addresses 6 to 9, date data. The address command space is used to issue commands to the V3021.

**RAM Map**

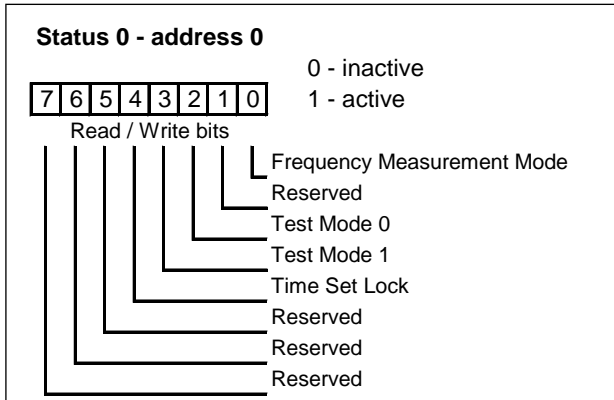
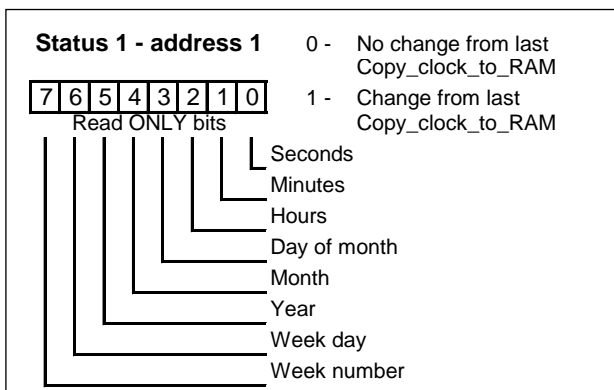
Address		Parameter	BCD range
Dec	Hex		
<b>Data Space</b>			
0	0	Status 0	
1	1	Status 1	
2	2	Seconds	00-59
3	3	Minutes	00-59
4	4	Hours	00-23
5	5	Day of month	01-31
6	6	Month	01-12
7	7	Year	00-99
8	8	Week day	01-07
9	9	Week number	00-52
<b>Address Command Space</b>			
14	E	Copy_RAM_to_clock	
15	F	Copy_clock_to_RAM	

**Table 6**
**Commands**

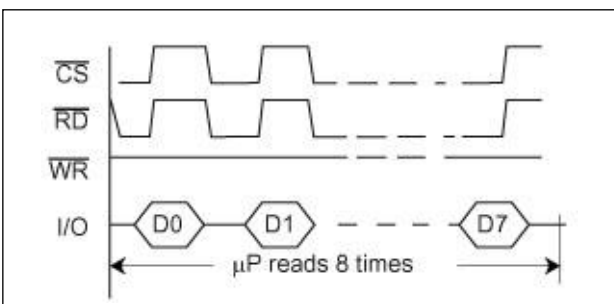
Two commands are available (see Table 6). The Copy\_RAM\_to\_clock command is used to set the current time and date in the clock and the Copy\_clock\_to\_RAM command to copy the current time and date from the clock to the RAM. The Copy\_RAM\_to\_clock command, address data E hex, causes the clock time and date to be overwritten by the time and date stored in the RAM at addresses 2 to 9. Address 1 is also cleared (see section "Time and Date Status Bits"). Prior to using this command, the desired time and date must be loaded into the RAM using write data cycles and the time set lock bit, address 0, bit 4, must be clear (see section "Time Set Lock").

**Status Information**

The RAM addresses 0 and 1 contain status control data for the V3021. The function of each bit (0 and 7) within address locations 0 and 1 is shown in Table 7a and 7b respectively.

**Status Word**

**Table 7a**

**Table 7b**
**Reset and Initialization**

Upon microprocessor recovery from a system reset, the V3021 must be initialized by software in order to guarantee that it is expecting a communication cycle (ie. the internal serial buffer is waiting for the address bit A0). Software can initialize the V3021 to expect a communication cycle by executing 8 microprocessor reads (see Fig. 8).

**Initializing Access to the V3021**

**Fig. 8**

On first startup or whenever power has failed ( $V_{DD} < 2.0V$ ) the status register 0 and the clock must be initialized by software. Having initialized the interface to expect the address bit A0, write 0 to status register 0, then set the clock (see section "Clock and Calendar").

**Time and Date Status Bits**

There are time and date status bits at address 1 in the RAM. Upon executing a Copy\_clock\_to\_RAM command, the time and date status bits in the RAM show which time and date parameters changed since the last time this command was used. A logic 1 in the seconds status bit (address1, bit 0) in the RAM indicates that the seconds location in the RAM (address 2) changed since the last Copy\_clock\_to\_RAM command and thus need to be read. The seconds location must change before any other time or date location can change. If the seconds status bit is clear, then no time or date location changed since the last Copy\_clock\_to\_RAM command and so the RAM need not to be read by software.

Table 7b shows the seconds, minutes, hours, day of the month, month, year, week day, and week number status bit locations. They are set or cleared similar to the seconds location. It should be noted that if the minutes status bit is clear, then the seconds bit may be set, but all other status bits are clear. Similarly with hours, the bits representing the units less than hours may have been set, but the bits for the higher units will be clear. This rule holds true for the week day or day of month locations also.

The time and date status bits can be used to drive software routines which need to be executed every

- second,
- minute,
- hour,
- day of month / weekday,
- month,
- year,

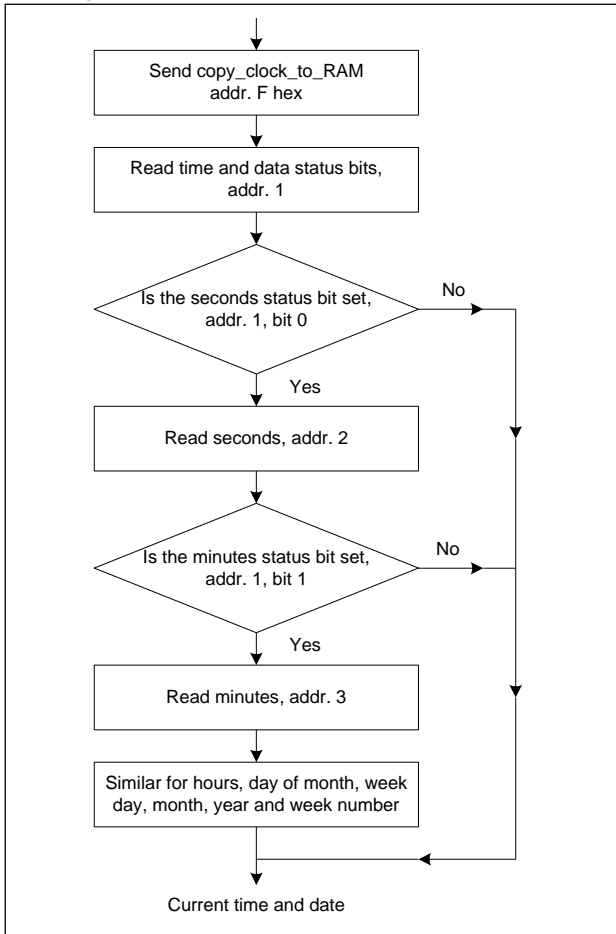
or -week.

In this application it is necessary to poll the V3021 at least once every time interval used as it does not generate an interrupt.

Upon executing a Copy\_RAM\_to\_clock command, the time and date status bits in the RAM are cleared.

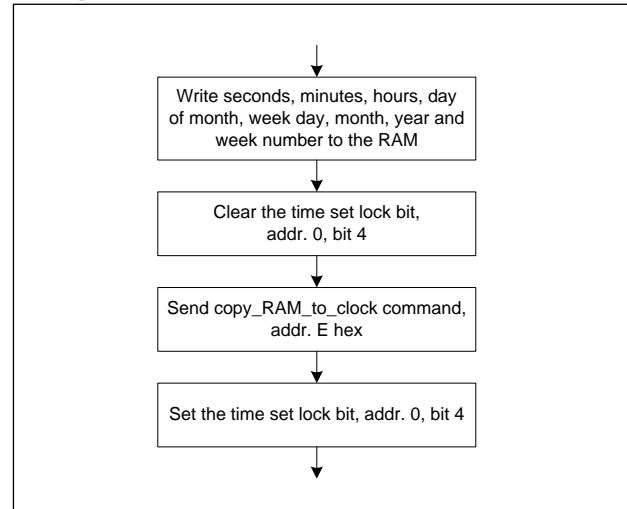
**Time Set Lock**

The time set lock control bit is located at address 0, bit 4 (see Table 7a). When set by software, the bit disables the Copy\_RAM\_to\_clock command (see section "Commands".) A set bit prevents unauthorized overwriting of the current time and date in the clock. Clearing the time set lock bit by software will re-enable the Copy\_RAM\_to\_clock command. On first startup or whenever power has failed ( $V_{DD} < 2.0 V$ ), the time set lock bit must be setup by software.

**Reading the Current Time and Date**

**Fig. 9**
**Clock and Calendar**

The Time and date addresses in the RAM (see Table 6) provide access to the seconds, minutes, hours, day of month, month, year, week day, and week number. These parameters have the ranges indicated on Table 6 and are in BCD format. If a parameter is found to be out of range, it will be cleared on its being next incremented. The V3021 incorporates leap year correction and week number calculation. The week number changes only at the incrementation of the day number from 7 to 1. If week 52 day 7 falls on the 25<sup>th</sup>, 26<sup>th</sup> or 27<sup>th</sup> of December, then the week number will change to 0, otherwise it will be week 1. Week days are numbered from 1 to 7 with Monday as 1.

Reading of the current time and date must be preceded by a Copy\_clock\_to\_RAM command. The time and date status bits will indicate which time and date addresses changed since the last time the command was used (see Fig. 9). The time and date from the last Copy\_clock\_to\_RAM command is held unchanged in the RAM, except when power ( $V_{DD}$ ) has failed totally. To change the current time and date in the clock, the desired time and date must first be written to the RAM, the time set lock bit cleared, and then a Copy\_RAM\_to\_clock command sent (see Fig. 10). The time set lock bit can be used to prevent unauthorized setting of the clock.

**Setting the Current Time and Date**

**Fig. 10**
**Frequency Measurement**

Setting bit 0 at address 0 will put a pulsed current source (25  $\mu$ A) onto the I/O pin, when the device is not chip selected (ie. CS input high). The current source will be pulsed on/off at 256 Hz. The period for  $\pm 0$  ppm time keeping is 3.90625 ms. To measure the frequency signal on pin I/O, the data bus must be high impedance. The best way to ensure this is to hold the microprocessor and peripherals in reset mode while measuring the frequency. The clarity of the signal measured at pin I/O will depend on both the probe input impedance (typically 1 M $\Omega$ ) and the magnitude of the leakage current from other devices driving the line connected to pin I/O. If the signal measured is unclear, put a 200 k $\Omega$  resistor from pin I/O to  $V_{SS}$ . It should be noted that the magnitude of the current source (25  $\mu$ A) is not sufficient to drive the data bus line in case of any other device driving the line, but it is sufficient to take the line to a high logic level when the data bus is in high impedance.

Use a crystal of nominal  $C_L = 8.2$  pF as specified in the section "Operating Conditions". The MX series from Microcrystal is recommended. The accuracy of the time keeping is dependent upon the frequency tolerance and the load capacitance of the crystal. 11.57 ppm corresponds to one second a day.

**Test**

From the various test features added to the V3021 some may be activated by the user. Table 7a shows the test mode bits. Table 8 shows the 3 available test modes and how they can be activated. Test mode 0 is activated by setting bit 2, address 0, and causes all time keeping to be accelerated by 32. Test mode 1 is activated by setting bit 3, address 0, and causes all the time and date locations, address 2 to address9, to be incremented in parallel at 1 Hz with no carry over (independent of each other). The third test mode combines the previous two resulting in parallel incrementing at 32 Hz.

### Test Modes

Addr. 0 bit 3	Addr. 0 bit 2	Function
0	0	Normal operation
0	1	All time keeping accelerated by 32
1	0	Parallel increment of all time data at 1 Hz with no carry over
1	1	Parallel increment of all time data at 32 Hz with no carry over

Table 8

An external signal generator can be used to drive the divider chain of the V3021. Fig. 11a and 11b show how to connect the signal generator. The speed can be increased by increasing the signal generator frequency to a maximum of 128 kHz. An external signal generator and test modes can be combined.

To leave test both test bits (address 0, bits 2 and 3) must be cleared by software. Test corrupts the current time and date and so the time and date should be reloaded after a test session.

### Signal Generator Connection

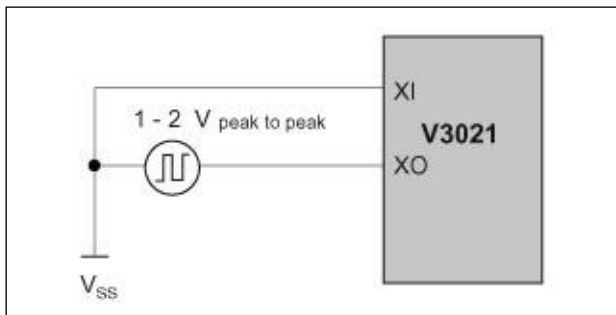


Fig. 11a

**Note:** The peak value of the signal provided by the signal generator should not exceed 2 V on XO.

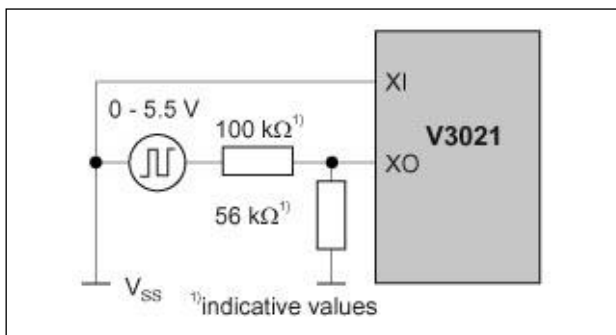


Fig. 11b

**Note:** The peak value of the signal provided by the signal generator should not exceed 2 V on XO.

### Crystal Layout

In order to ensure proper oscillator operation we recommend the following standard practices:

- Keep traces as short as possible
  - Use a guard ring around the crystal
- Fig. 12 shows the recommended layout.

### Oscillator Layout

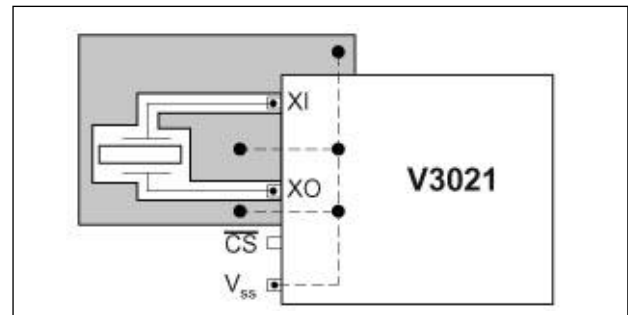
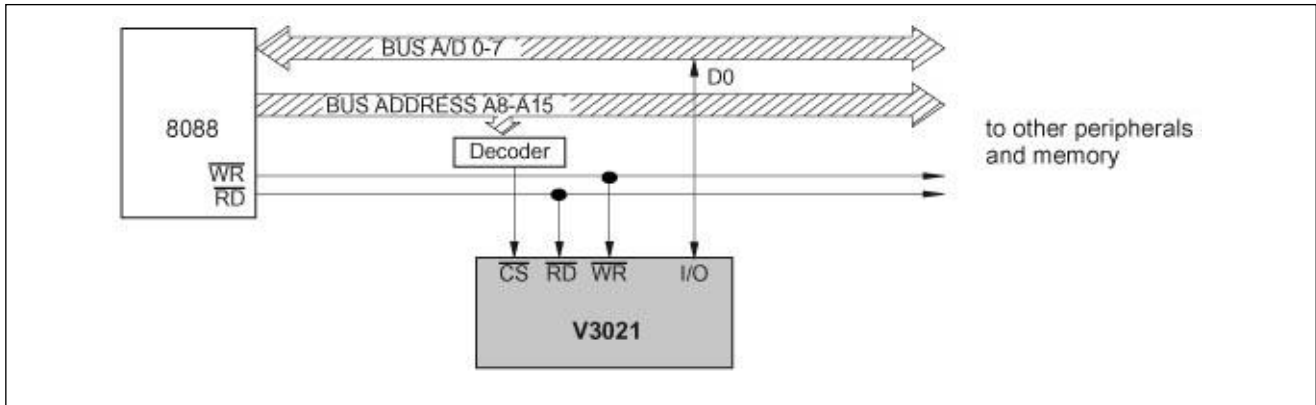
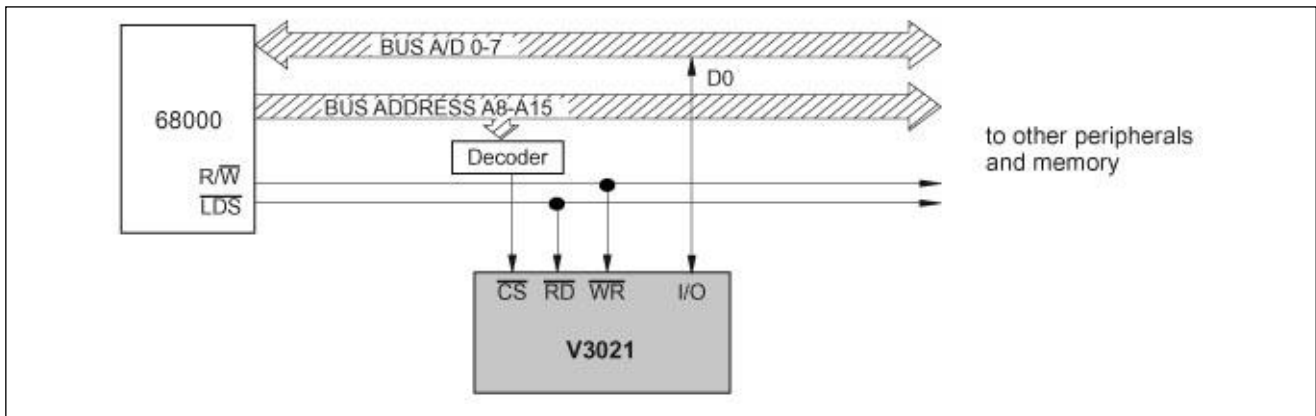
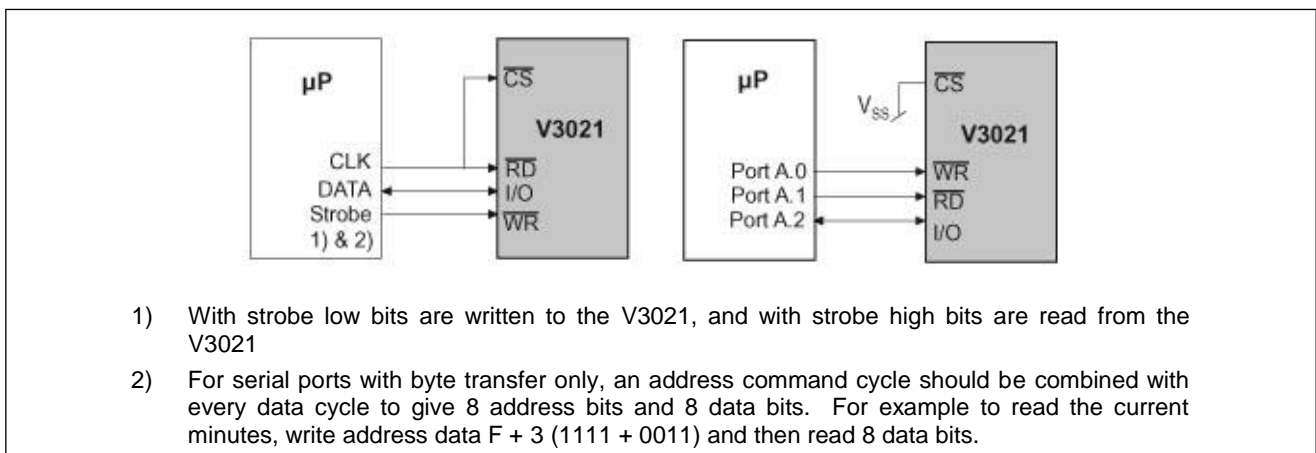


Fig. 12

### Access Considerations

The section "Communication Cycles" describes the serial data sequences necessary to complete a communication cycle. In common with all serial peripherals, the serial data sequences are not re-entrant, thus a high priority interrupt, or another software task, should not attempt to access the V3021 if it is already in the middle of a cycle. A semaphore (software flag) on access would allow the V3021 to be shared with other software tasks or interrupt routines. There is no time limit on the duration of a communication cycle and thus interrupt routines (which do not use the V3021) can be fully executed in mid cycles without any consequences for the V3021.

**Typical Applications**
**V3021 Interfaced with Intel CPU (RD/WR Pulse)**

**Fig. 13**
**V3021 Interfaced with Motorola CPU (Advanced R/W)**

**Fig. 14**
**3 Wire Serial Interface**

**Fig. 15**

## Battery Switch Over Circuit

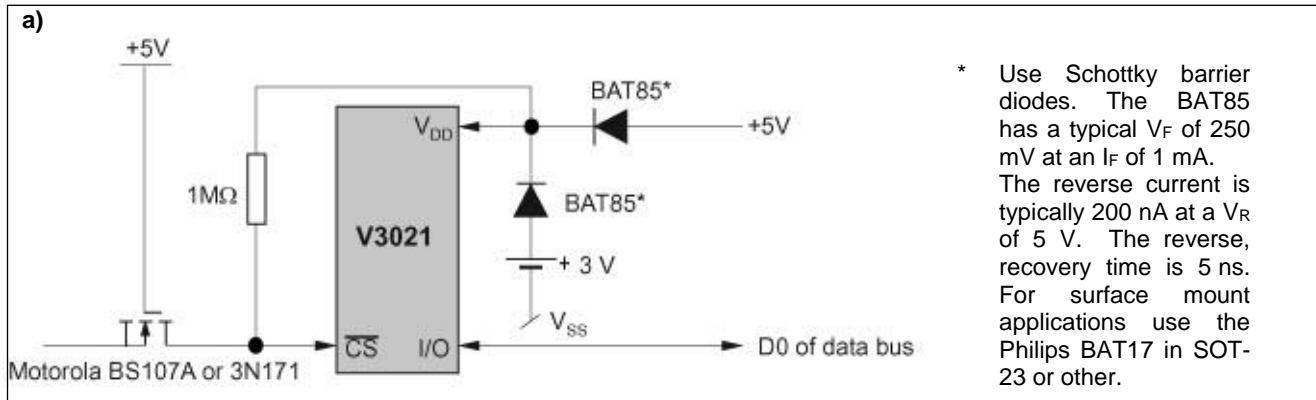


Fig. 16

## Ordering and Package Information Dimensions of 8-Pin SOIC Package

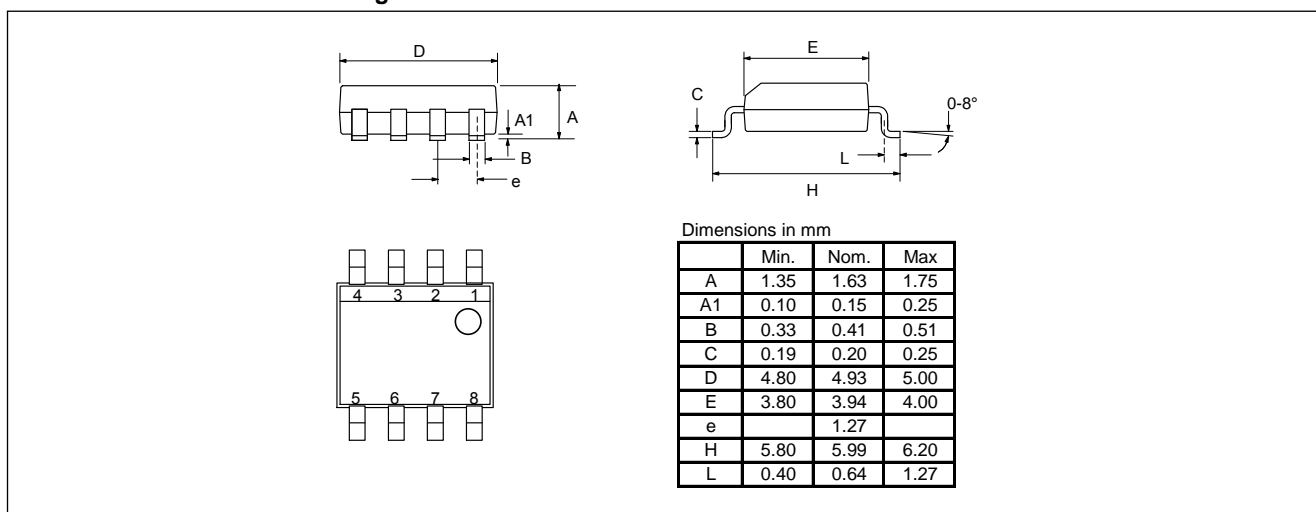


Fig. 17

## Dimensions of 8-Pin DIP Package

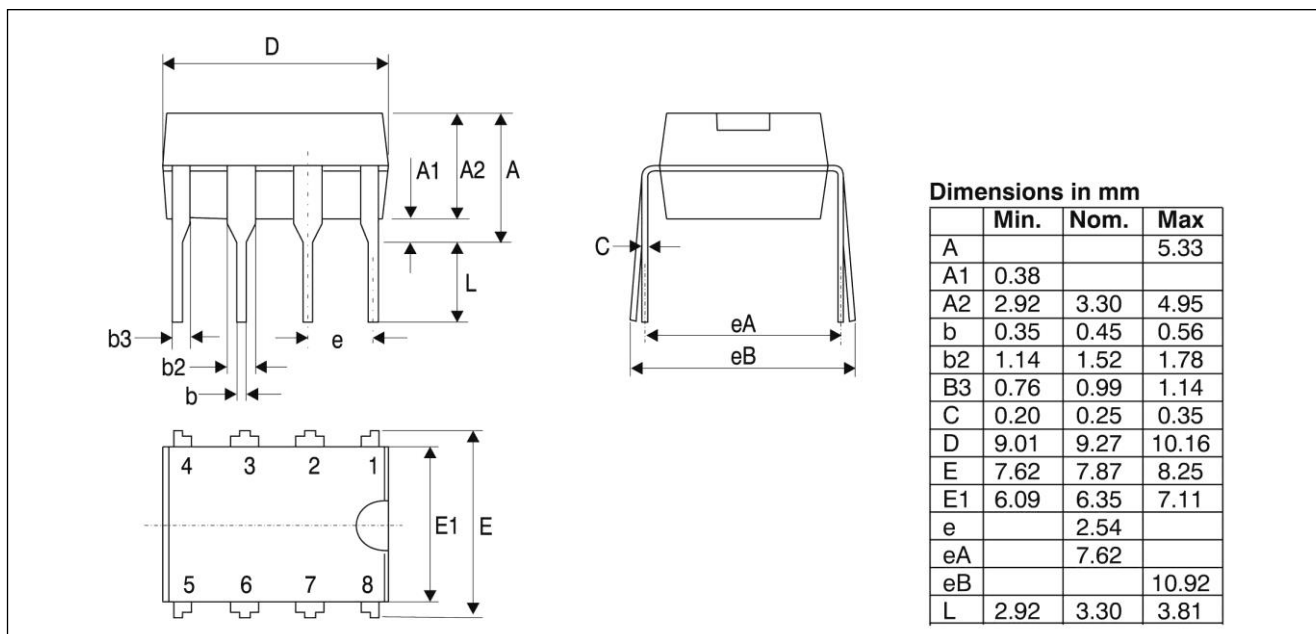


Fig. 18



## Ordering Information

When ordering, please specify the complete Part Number

Part Number	Temperature Range	Package	Delivery Form	Package Marking
V3021SO8B+	-40°C to +85°C	8-pin SOIC	Tape & Reel	V3021 EM% ##
V3021SO8A+		8-pin SOIC	Stick	V3021 EM% ##
V3021DL8A+		8-pin plastic DIP	Stick	V3021
V3021XSO8B+	-40°C to +125°C	8-pin SOIC	Tape & Reel	V3021 EM%X##
V3021XSO8A+		8-pin SOIC	Stick	V3021 EM%X##
V3021XDL8A+		8-pin plastic DIP	Stick	V3021 X

Where % and ## refer to the lot number and date (EM internal reference only).

EM Microelectronic-Marin SA ("EM") makes no warranties for the use of EM products, other than those expressly contained in EM's applicable General Terms of Sale, located at <http://www.emmicroelectronic.com>. EM assumes no responsibility for any errors which may have crept into this document, reserves the right to change devices or specifications detailed herein at any time without notice, and does not make any commitment to update the information contained herein.



No licenses to patents or other intellectual property rights of EM are granted in connection with the sale of EM products, neither expressly nor implicitly.

In respect of the intended use of EM products by customer, customer is solely responsible for observing existing patents and other intellectual property rights of third parties and for obtaining, as the case may be, the necessary licenses.

**Important note: The use of EM products as components in medical devices and/or medical applications, including but not limited to, safety and life supporting systems, where malfunction of such EM products might result in damage to and/or injury or death of persons is expressly prohibited, as EM products are neither destined nor qualified for use as components in such medical devices and/or medical applications. The prohibited use of EM products in such medical devices and/or medical applications is exclusively at the risk of the customer**

## Looking for pricing, stock, or lifecycle information?

Click below to explore more details on WIN SOURCE:

-  [View V3021SO8A+ on WIN SOURCE](#)
-  [EM Microelectronic Information](#)

## Optimize Your Supply Chain with WIN SOURCE Solutions

-  Global Sourcing Solution
-  Obsolete Management
-  Cost Control Management
-  Shortage Management
-  Alternative Solution
-  Excess Inventory Management