



DAC7613

For most current data sheet and other product information, visit www.burr-brown.com

12-Bit, Voltage Output DIGITAL-TO-ANALOG CONVERTER

FEATURES

- **LOW POWER:** 1.8mW
- **UNIPOLAR OR BIPOLAR OPERATION**
- **SETTLING TIME:** 10 μ s to 0.012%
- **12-BIT LINEARITY AND MONOTONICITY:** -40°C to +85°C
- **DATA READBACK**
- **DOUBLE-BUFFERED DATA INPUTS**
- **24-LEAD SSOP PACKAGE**

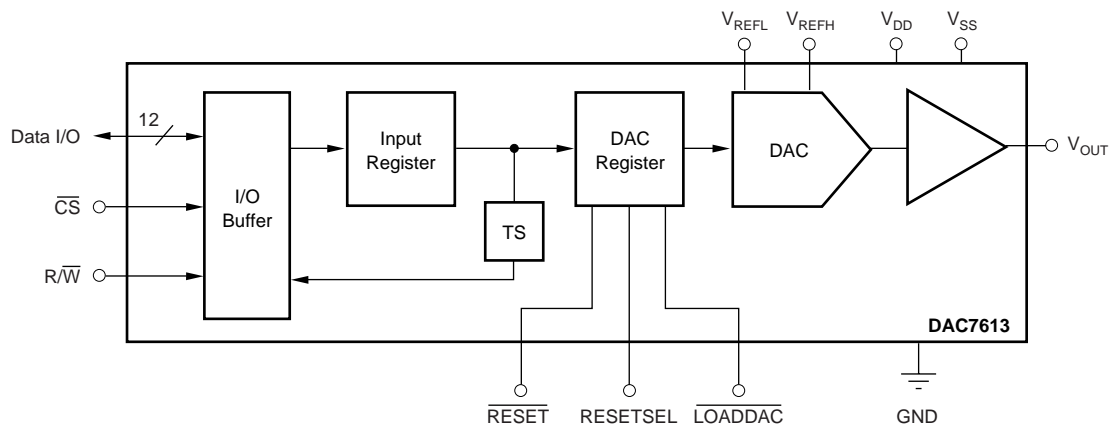
APPLICATIONS

- **PROCESS CONTROL**
- **CLOSED-LOOP SERVO-CONTROL**
- **MOTOR CONTROL**
- **DATA ACQUISITION SYSTEMS**

DESCRIPTION

The DAC7613 is a 12-bit, voltage output digital-to-analog converter with guaranteed 12-bit monotonic performance over the specified temperature range. The DAC7613 accepts a 12-bit parallel input data, has double-buffered DAC input logic and provides a readback mode of the internal input register. An asynchronous reset clears all registers to a mid-scale code of 800_H or to a zero-scale of 000_H. The DAC7613 can operate from a single +5V supply or from +5V and -5V supplies.

Low power and small size makes the DAC7613 ideal for data acquisition systems and closed-loop servo-control. The DAC7613 is available in a plastic SSOP-24 package, and offers guaranteed specifications over the -40°C to +85°C temperature range.



International Airport Industrial Park • Mailing Address: PO Box 11400, Tucson, AZ 85734 • Street Address: 6730 S. Tucson Blvd., Tucson, AZ 85706 • Tel: (520) 746-1111
Twx: 910-952-1111 • Internet: <http://www.burr-brown.com/> • Cable: BBRCORP • Telex: 066-6491 • FAX: (520) 889-1510 • Immediate Product Info: (800) 548-6132

SPECIFICATION

At $T_A = -40^{\circ}\text{C}$ to $+85^{\circ}\text{C}$, $V_{DD} = +5\text{V}$, $V_{SS} = -5\text{V}$, $V_{REFH} = +2.5\text{V}$, and $V_{REFL} = -2.5\text{V}$, unless otherwise noted.

PARAMETER	CONDITIONS	DAC7613E			DAC7613EB			UNITS
		MIN	TYP	MAX	MIN	TYP	MAX	
ACCURACY								
Linearity Error ⁽¹⁾	$V_{SS} = 0\text{V}$ or -5V			± 2			± 1	LSB ⁽²⁾
Differential Linearity Error	$V_{SS} = 0\text{V}$ or -5V			± 1			± 1	LSB
Monotonicity	T_{MIN} to T_{MAX}	12			*			Bits
Zero-Scale Error	Code = 000_H			± 4			*	LSB
Zero-Scale Drift			2	5		*	*	ppm/ $^{\circ}\text{C}$
Full-Scale Error	Code = FFF_H			± 4			*	LS
Zero-Scale Error	Code = $00A_H$, $V_{SS} = 0\text{V}$			± 8			*	LSB
Zero-Scale Drift	$V_{SS} = 0\text{V}$		5	10		*	*	ppm/ $^{\circ}\text{C}$
Full-Scale Error	Code = FFF_H , $V_{SS} = 0\text{V}$			± 8			*	LSB
Power Supply Rejection			30			*		ppm/V
ANALOG OUTPUT								
Voltage Output ⁽³⁾	$V_{REFL} = 0\text{V}$, $V_{SS} = 0\text{V}$ $V_{SS} = -5\text{V}$	0 V_{REFL} -1.25		V_{REFH} V_{REFH} +1.25	*		*	V V mA
Output Current								
Load Capacitance	No Oscillation		100			*		pF
Short-Circuit Current			+5, -15			*		mA
Short-Circuit Duration			Indefinite			*		
REFERENCE INPUT								
V_{REFH} Input Range	$V_{SS} = 0\text{V}$ or -5V	$V_{REFL} + 1.25$		+2.5	*		*	V
V_{REFL} Input Range	$V_{SS} = 0\text{V}$	0		$V_{REFH} - 1.25$	*		*	V
V_{REFL} Input Range	$V_{SS} = -5\text{V}$	-2.5		$V_{REFH} - 1.25$	*		*	V
DYNAMIC PERFORMANCE								
Settling Time ⁽⁴⁾	To $\pm 0.012\%$		5	10		*	*	μs
Output Noise Voltage	0Hz to 1MHz		40			*		nV/ $\sqrt{\text{Hz}}$
DIGITAL INPUT/OUTPUT								
Logic Family			CMOS		*			
Logic Levels								
V_{IH}	$I_{IH} \leq \pm 10\mu\text{A}$	$0.7 V_{DD}$		$V_{DD} + 0.3$	*		*	V
V_{IL}	$I_{IL} \leq \pm 10\mu\text{A}$	-0.3		$0.3 V_{DD}$	*		*	V
V_{OH}	$I_{OH} = -0.8\text{mA}$	3.6		V_{DD}	*		*	V
V_{OL}	$I_{OL} = 1.6\text{mA}$	0.0		0.4	*		*	V
Data Format			Straight Binary			*		
POWER SUPPLY REQUIREMENTS								
V_{DD}		4.75		5.25	*		*	V
V_{SS}	If $V_{SS} \neq 0\text{V}$	-5.25		-4.75	*		*	V
I_{DD}			0.35	0.5		*	*	mA
I_{SS}		-0.65	-0.45		*	*	*	mA
Power Dissipation	$V_{SS} = -5\text{V}$		4	5.75		*	*	mW
	$V_{SS} = 0\text{V}$		1.8	2.5		*	*	mW
TEMPERATURE RANGE								
Specified Performance		-40		+85	*		*	$^{\circ}\text{C}$

NOTES: (1) If $V_{SS} = 0\text{V}$, specification applies at code $00A_H$ and above. (2) LSB means Least Significant Bit, when V_{REFH} equals +2.5V and V_{REFL} equals -2.5V, then one LSB equals 1.22mV. (3) Ideal output voltage, does not take into account zero or full-scale error. (4) If $V_{SS} = -5\text{V}$, full-scale 5V step. If $V_{SS} = 0\text{V}$, full-scale positive 2.5V step and negative step from code FFF_H to $00A_H$.

The information provided herein is believed to be reliable; however, BURR-BROWN assumes no responsibility for inaccuracies or omissions. BURR-BROWN assumes no responsibility for the use of this information, and all use of such information shall be entirely at the user's own risk. Prices and specifications are subject to change without notice. No patent rights or licenses to any of the circuits described herein are implied or granted to any third party. BURR-BROWN does not authorize or warrant any BURR-BROWN product for use in life support devices and/or systems.

ABSOLUTE MAXIMUM RATINGS⁽¹⁾

V_{DD} to V_{SS}	-0.3V to 11V
V_{DD} to GND	-0.3V to 5.5V
V_{REFL} to V_{SS}	-0.3V to ($V_{DD} - V_{SS}$)
V_{DD} to V_{REFH}	-0.3V to ($V_{DD} - V_{SS}$)
V_{REFH} to V_{REFL}	-0.3V to ($V_{DD} - V_{SS}$)
Digital Input Voltage to GND	-0.3V to $V_{DD} + 0.3V$
Digital Output Voltage to GND	-0.3V to $V_{DD} + 0.3V$
Maximum Junction Temperature	+150°C
Operating Temperature Range	-40°C to +85°C
Storage Temperature Range	-65°C to +150°C
Lead Temperature (soldering, 10s)	+300°C

NOTE: (1) Stresses above those listed under "Absolute Maximum Ratings" may cause permanent damage to the device. Exposure to absolute maximum conditions for extended periods may affect device reliability.



ELECTROSTATIC DISCHARGE SENSITIVITY

This integrated circuit can be damaged by ESD. Burr-Brown recommends that all integrated circuits be handled with appropriate precautions. Failure to observe proper handling and installation procedures can cause damage.

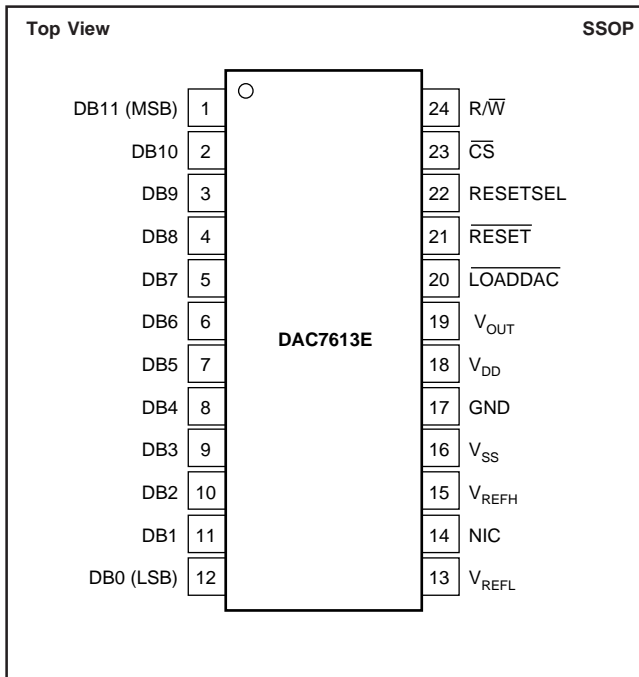
ESD damage can range from subtle performance degradation to complete device failure. Precision integrated circuits may be more susceptible to damage because very small parametric changes could cause the device not to meet its published specifications.

PACKAGE/ORDERING INFORMATION

PRODUCT	MAXIMUM LINEARITY ERROR (LSB)	MAXIMUM DIFFERENTIAL LINEARITY ERROR (LSB)	PACKAGE	PACKAGE DRAWING NUMBER	SPECIFICATION TEMPERATURE RANGE	ORDERING NUMBER ⁽¹⁾	TRANSPORT MEDIA
DAC7613E	±2	±1	SSOP-24	338	-40°C to +85°C	DAC7613E	Rails
"	"	"	"	"	"	DAC7613E/1K	Tape and Reel
DAC7613EB	±1	±1	SSOP-24	338	-40°C to +85°C	DAC7613EB	Rails
"	"	"	"	"	"	DAC7613EB/1K	Tape and Reel

NOTE: (1) Models with a slash (/) are available only in Tape and Reel in the quantities indicated (e.g., /1K indicates 1000 devices per reel). Ordering 1000 pieces of "DAC7613E/1K" will get a single 1000-piece Tape and Reel.

PIN CONFIGURATION

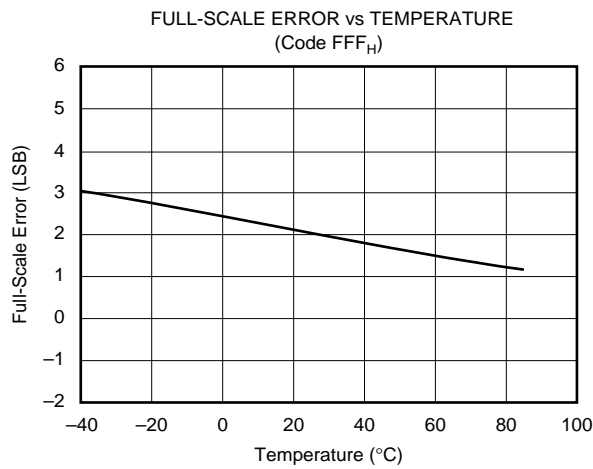
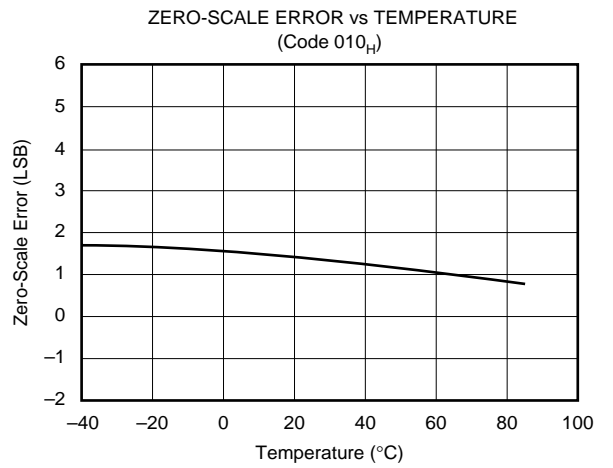
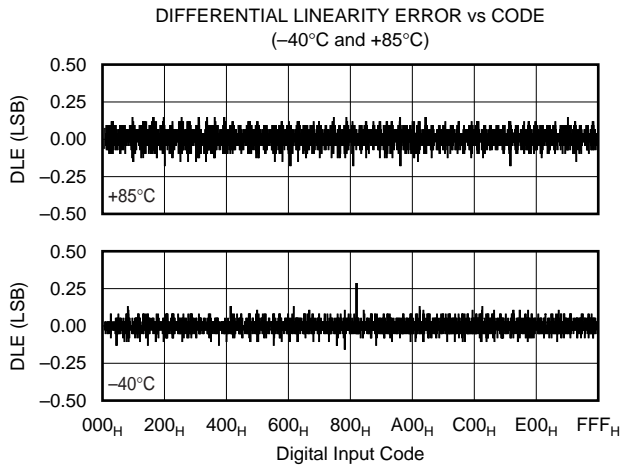
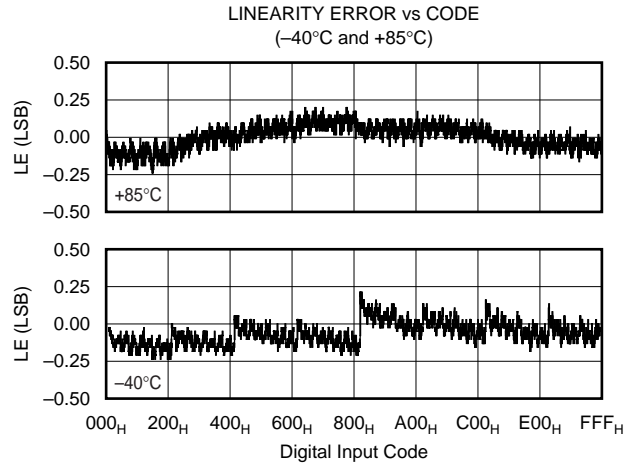
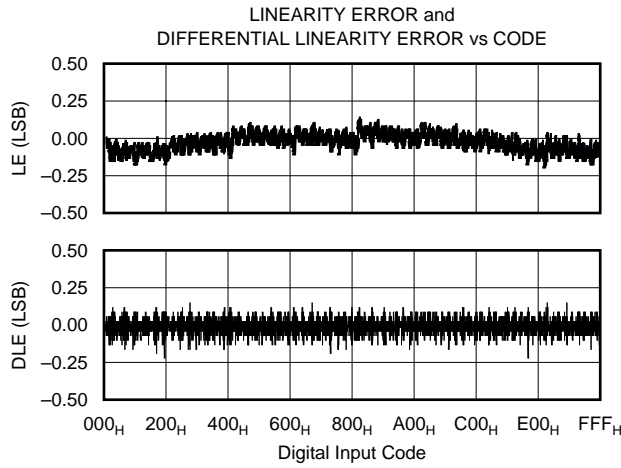


PIN DESCRIPTIONS

PIN	LABEL	DESCRIPTION
1	DB11	Data Bit 11, MSB
2	DB10	Data Bit 10
3	DB9	Data Bit 9
4	DB8	Data Bit 8
5	DB7	Data Bit 7
6	DB6	Data Bit 6
7	DB5	Data Bit 5
8	DB4	Data Bit 4
9	DB3	Data Bit 3
10	DB2	Data Bit 2
11	DB1	Data Bit 1
12	DB0	Data Bit 0, LSB
13	V _{REFL}	Reference Input Voltage Low. Sets minimum output voltage for the DAC.
14	NIC	Not Internally Connected
15	V _{REFH}	Reference Input Voltage High. Sets maximum output voltage for the DAC.
16	V _{SS}	Negative Analog Supply Voltage, 0V or -5V nominal.
17	GND	Ground
18	V _{DD}	Positive Power Supply
19	V _{OUT}	DAC Voltage Output
20	LOADDAC	The selected DAC register becomes transparent when $\overline{LOADDAC}$ is LOW. It is in the latched state when $\overline{LOADDAC}$ is HIGH.
21	RESET	Asynchronous Reset Input. Sets the DAC register to either zero-scale (000 _H) or mid-scale (800 _H) when LOW. RESETSEL determines which code is active.
22	RESETSEL	When LOW, a LOW on \overline{RESET} will cause the DAC register to be set to code 000 _H . When RESETSEL is HIGH, a LOW on \overline{RESET} will set the registers to code 800 _H .
23	\overline{CS}	Chip Select. Active LOW.
24	R/W	Enabled by \overline{CS} . Controls data read and write from the input register.

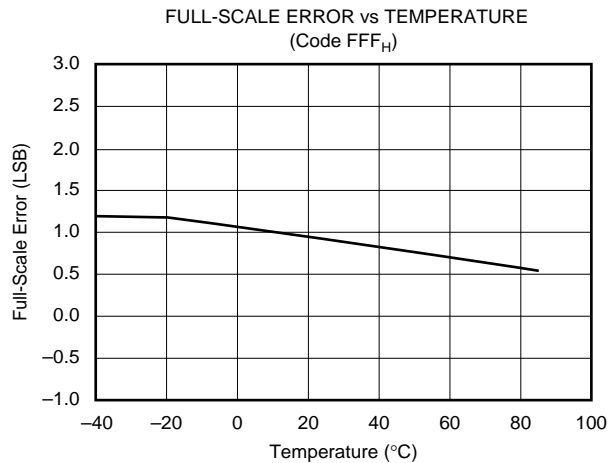
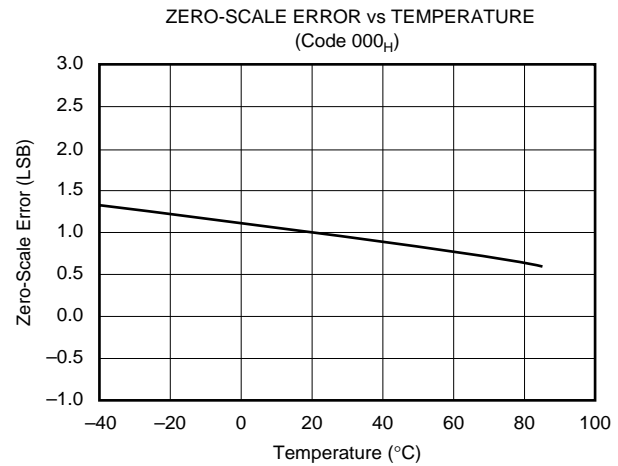
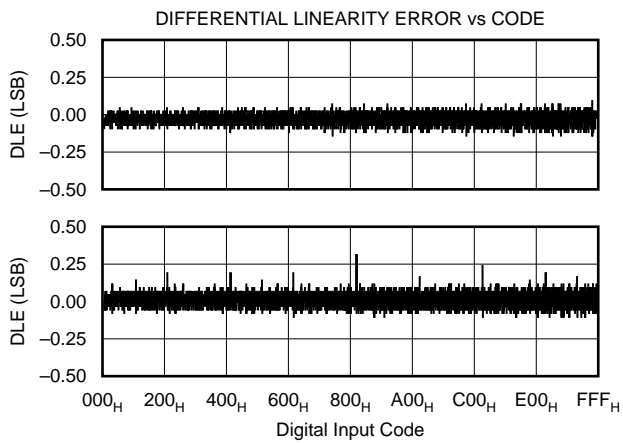
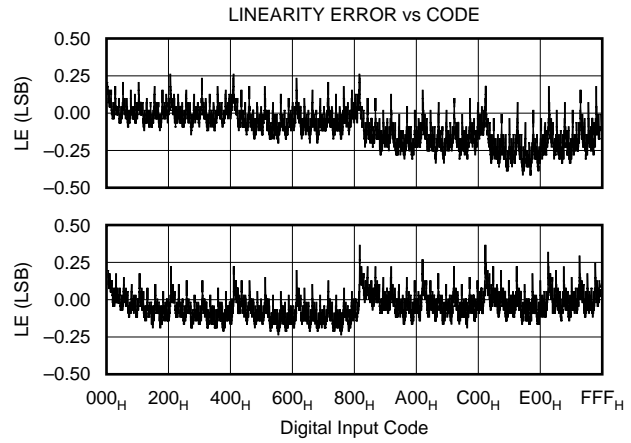
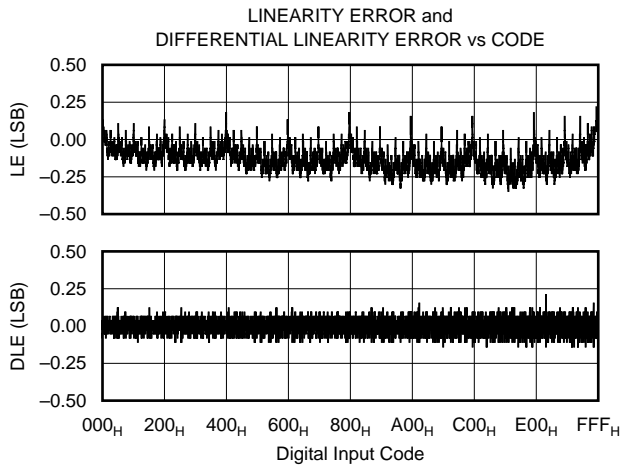
TYPICAL PERFORMANCE CURVES: $V_{SS} = 0V$

At $T_A = +25^\circ C$, $V_{DD} = +5V$, $V_{REFH} = +2.5V$, and $V_{REFL} = 0V$, representative unit, unless otherwise specified.



TYPICAL PERFORMANCE CURVES: $V_{SS} = -5V$

At $T_A = +25^\circ C$, $V_{DD} = +5V$, $V_{REFH} = +2.5V$, and $V_{REFL} = 0V$, representative unit, unless otherwise specified.



THEORY OF OPERATION

The DAC7613 is a 12-bit, voltage output Digital-to-Analog Converter (DAC). The architecture is a classic R-2R ladder configuration followed by an operational amplifier that serves as a buffer. The minimum voltage output (“zero-scale”) and maximum voltage output (“full-scale”) are set by the external voltage references (V_{REFL} and V_{REFH} , respectively). The digital input is a 12-bit parallel word and the DAC input

register offers a readback capability. The converter can be powered from a single +5V supply or a dual $\pm 5V$ supply. The device offers a reset function which immediately sets the DAC output voltage and DAC register to mid-scale (code 800_H) or to zero-scale (code 000_H), depending on the status of the reset selection. See Figures 1 and 2 for the basic operation of the DAC7613.

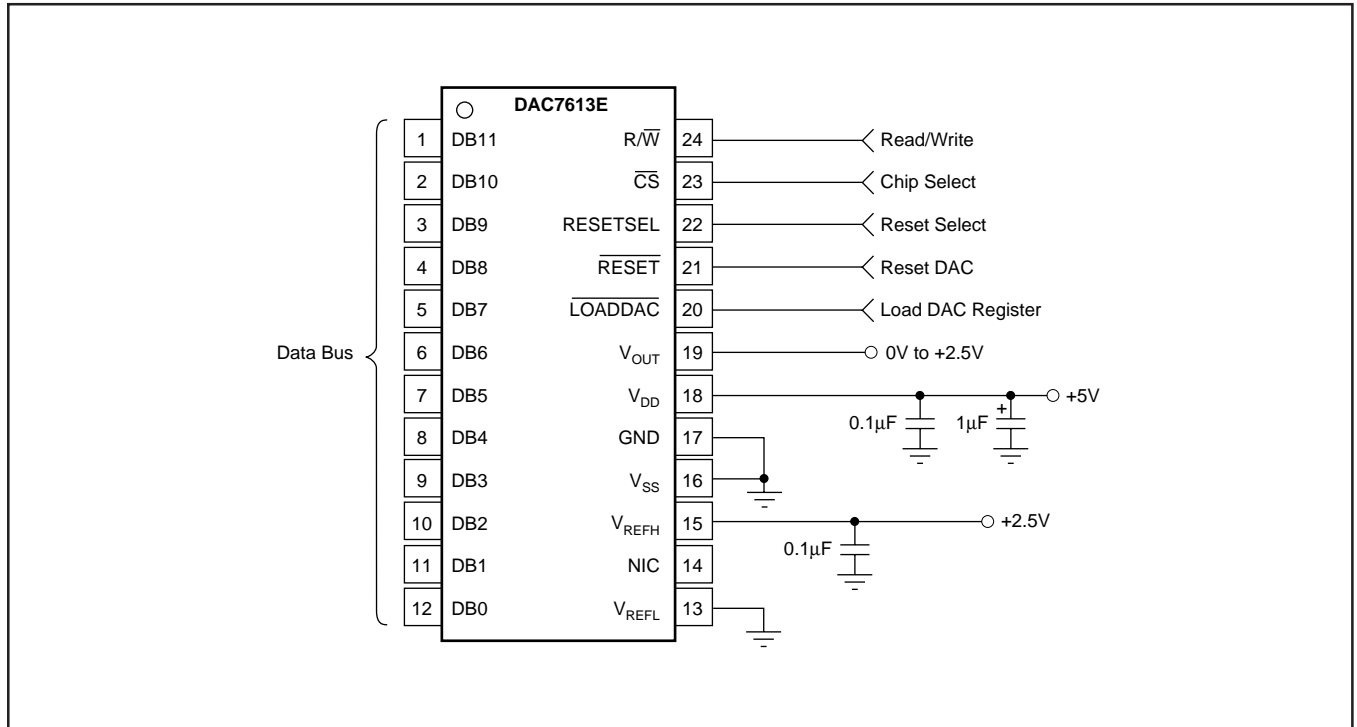


FIGURE 1. Basic Single-Supply Operation of the DAC7613.

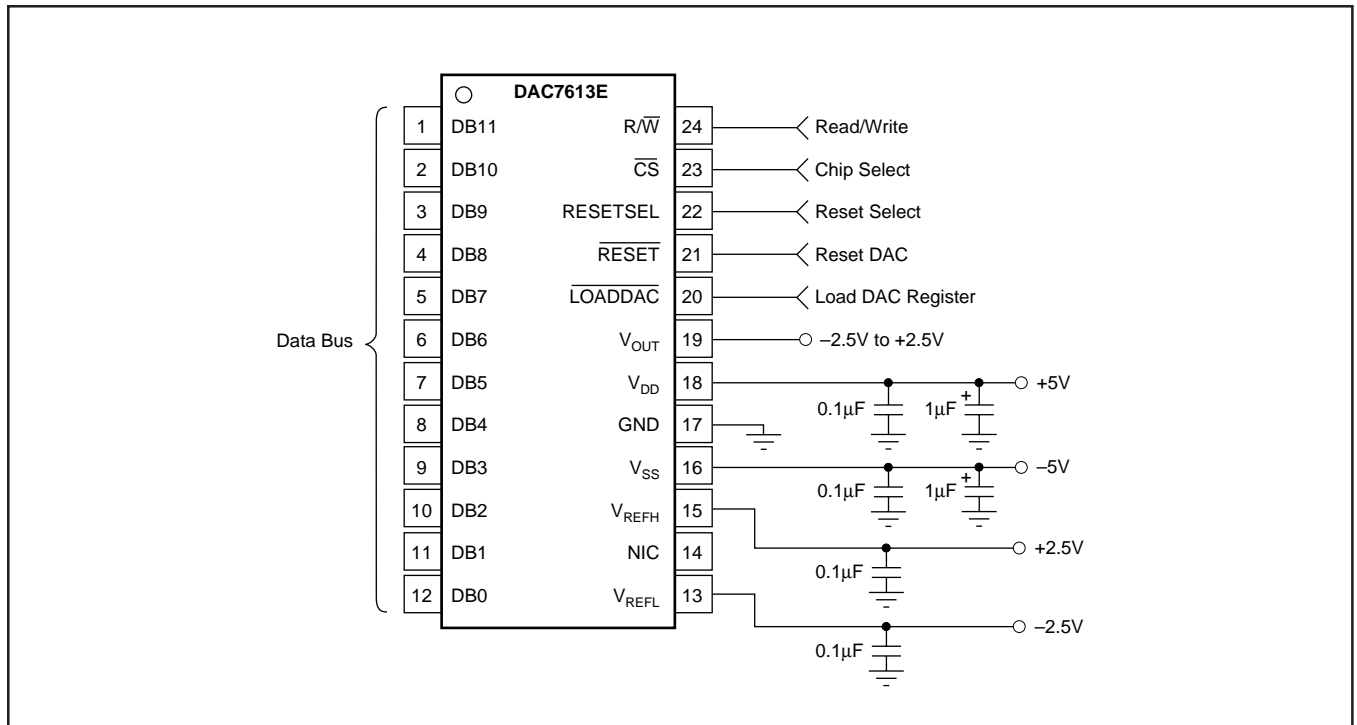


FIGURE 2. Basic Dual-Supply Operation of the DAC7613.

ANALOG OUTPUTS

When $V_{SS} = -5V$ (dual supply operation), the output amplifier can swing to within 2.25V of the supply rails, guaranteed over the $-40^{\circ}C$ to $+85^{\circ}C$ temperature range. With $V_{SS} = 0V$ (single-supply operation), the output can swing to ground. Note that the settling time of the output op amp will be longer with voltages very near ground. Additionally, care must be taken when measuring the zero-scale error when $V_{SS} = 0V$. Since the output voltage cannot swing below ground, the output voltage may not change for the first few digital input codes (000_H, 001_H, 002_H, etc.) if the output amplifier has a negative offset.

The behavior of the output amplifier can be critical in some applications. Under short-circuit conditions (DAC output shorted to ground), the output amplifier can sink a great deal more current than it can source. See the Specifications table for more details concerning short-circuit current.

REFERENCE INPUTS

The reference inputs, V_{REFL} and V_{REFH} , can be any voltage between $V_{SS} + 2.25V$ and $V_{DD} - 2.25V$ provided that V_{REFH} is at least 1.25V greater than V_{REFL} . The minimum output of each DAC is equal to V_{REFL} plus a small offset voltage (essentially, the offset of the output op amp). The maximum output is equal to V_{REFH} plus a similar offset voltage. Note that V_{SS} (the negative power supply) must either be connected to ground or must be in the range of $-4.75V$ to $-5.25V$. The voltage on V_{SS} sets several bias points within the converter. If V_{SS} is not in one of these two configurations, the bias values may be in error and proper operation of the device is not guaranteed.

The current into the V_{REFH} input depends on the DAC output voltages and can vary from a few microamps to approximately 0.1 milliamp. The V_{REFH} source will not be required to sink current, only source it. Bypassing the reference voltage or voltages with at least a 0.1 μF capacitor placed as close to the DAC7613 package is strongly recommended.

DIGITAL INTERFACE

Table I shows the basic control logic for the DAC7613. Note that the internal register is level triggered and not edge triggered. When the appropriate signal is LOW, the register becomes transparent. When this signal is returned HIGH, the digital word currently in the register is latched. The first register (the input register) is triggered via the R/W, and CS inputs. The second register (the DAC register) is transparent when $\overline{LOADDAC}$ input is pulled LOW.

The double-buffered architecture is mainly designed so that the DAC input register can be written at any time and then the DAC voltage updated by pulling $\overline{LOADDAC}$ LOW.

R/W	CS	RST	LOADDAC	INPUT REGISTER	DAC REGISTER	MODE
L	L	H	L	Write	Write	Write
L	L	H	H	Write	Hold	Write Input
H	L	H	H	Read	Hold	Read Input
X	H	H	L	Hold	Update	Update
X	H	H	H	Hold	Hold	Hold
X	H	L	X	Hold	Reset	Reset

X = Don't Care.

TABLE I. DAC7613 Control Logic Truth Table.

DIGITAL TIMING

Figure 3 and Table II provide detailed timing for the digital interface of the DAC7613.

DIGITAL INPUT CODING

The DAC7613 input data is in Straight Binary format. The output voltage is given by the following equation:

$$V_{OUT} = V_{REFL} + \frac{(V_{REFH} - V_{REFL}) \cdot N}{4096} \quad (1)$$

where N is the digital input code. This equation does not include the effects of offset (zero-scale) or gain (full-scale) errors.

SYMBOL	DESCRIPTION	MIN	TYP	MAX	UNITS
t_{RCS}	\overline{CS} LOW for Read	200			ns
t_{RDS}	R/\overline{W} HIGH to \overline{CS} LOW	10			ns
t_{RDH}	R/\overline{W} HIGH after \overline{CS} HIGH	0			ns
t_{DZ}	\overline{CS} HIGH to Data Bus in High Impedance		100		ns
t_{CSD}	\overline{CS} LOW to Data Bus Valid		100	160	ns
t_{WCS}	\overline{CS} LOW for Write	50			ns
t_{WS}	R/\overline{W} LOW to \overline{CS} LOW	0			ns
t_{WH}	R/\overline{W} LOW after \overline{CS} HIGH	5			ns
t_{DS}	Data Valid to \overline{CS} HIGH	0			ns
t_{DH}	Data Valid after \overline{CS} HIGH	5			ns
t_{LWD}	$\overline{LOADDAC}$ LOW	50			ns
t_{RESET}	RESET LOW	50			ns

TABLE II. Timing Specifications ($T_A = -40^\circ\text{C}$ to $+85^\circ\text{C}$).

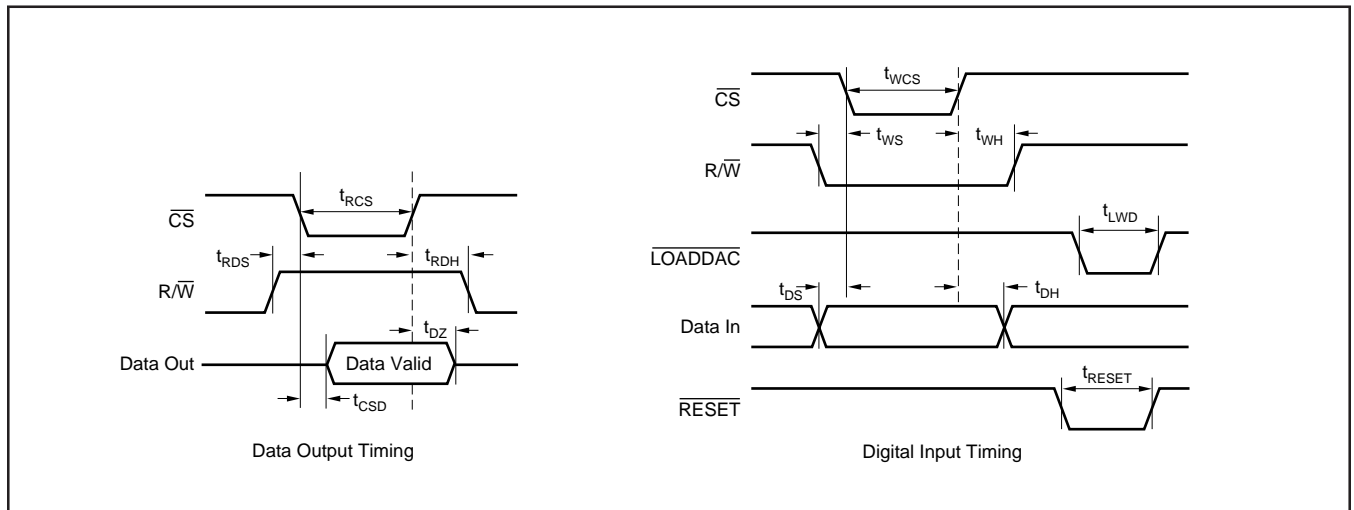


FIGURE 3. Digital Input and Output Timing.

PACKAGING INFORMATION

Orderable Device	Status (1)	Package Type	Package Drawing	Pins	Package Qty	Eco Plan (2)	Lead/Ball Finish (6)	MSL Peak Temp (3)	Op Temp (°C)	Device Marking (4/5)	Samples
DAC7613E	ACTIVE	SSOP	DB	24	60	Green (RoHS & no Sb/Br)	CU NIPDAU	Level-3-260C-168 HR	-40 to 85	DAC7613E	Samples
DAC7613E/1K	ACTIVE	SSOP	DB	24	1000	Green (RoHS & no Sb/Br)	CU NIPDAU	Level-3-260C-168 HR	-40 to 85	DAC7613E	Samples
DAC7613EB	ACTIVE	SSOP	DB	24	60	Green (RoHS & no Sb/Br)	CU NIPDAU	Level-3-260C-168 HR	-40 to 85	DAC7613E B	Samples
DAC7613EB/1K	ACTIVE	SSOP	DB	24	1000	Green (RoHS & no Sb/Br)	CU NIPDAU	Level-3-260C-168 HR	-40 to 85	DAC7613E B	Samples

(1) The marketing status values are defined as follows:

ACTIVE: Product device recommended for new designs.

LIFEBUY: TI has announced that the device will be discontinued, and a lifetime-buy period is in effect.

NRND: Not recommended for new designs. Device is in production to support existing customers, but TI does not recommend using this part in a new design.

PREVIEW: Device has been announced but is not in production. Samples may or may not be available.

OBSELETE: TI has discontinued the production of the device.

(2) **RoHS:** TI defines "RoHS" to mean semiconductor products that are compliant with the current EU RoHS requirements for all 10 RoHS substances, including the requirement that RoHS substance do not exceed 0.1% by weight in homogeneous materials. Where designed to be soldered at high temperatures, "RoHS" products are suitable for use in specified lead-free processes. TI may reference these types of products as "Pb-Free".

RoHS Exempt: TI defines "RoHS Exempt" to mean products that contain lead but are compliant with EU RoHS pursuant to a specific EU RoHS exemption.

Green: TI defines "Green" to mean the content of Chlorine (Cl) and Bromine (Br) based flame retardants meet JS709B low halogen requirements of <=1000ppm threshold. Antimony trioxide based flame retardants must also meet the <=1000ppm threshold requirement.

(3) MSL, Peak Temp. - The Moisture Sensitivity Level rating according to the JEDEC industry standard classifications, and peak solder temperature.

(4) There may be additional marking, which relates to the logo, the lot trace code information, or the environmental category on the device.

(5) Multiple Device Markings will be inside parentheses. Only one Device Marking contained in parentheses and separated by a "-" will appear on a device. If a line is indented then it is a continuation of the previous line and the two combined represent the entire Device Marking for that device.

(6) Lead/Ball Finish - Orderable Devices may have multiple material finish options. Finish options are separated by a vertical ruled line. Lead/Ball Finish values may wrap to two lines if the finish value exceeds the maximum column width.

Important Information and Disclaimer:The information provided on this page represents TI's knowledge and belief as of the date that it is provided. TI bases its knowledge and belief on information provided by third parties, and makes no representation or warranty as to the accuracy of such information. Efforts are underway to better integrate information from third parties. TI has taken and

continues to take reasonable steps to provide representative and accurate information but may not have conducted destructive testing or chemical analysis on incoming materials and chemicals. TI and TI suppliers consider certain information to be proprietary, and thus CAS numbers and other limited information may not be available for release.

In no event shall TI's liability arising out of such information exceed the total purchase price of the TI part(s) at issue in this document sold by TI to Customer on an annual basis.

TAPE AND REEL INFORMATION



QUADRANT ASSIGNMENTS FOR PIN 1 ORIENTATION IN TAPE



*All dimensions are nominal

Device	Package Type	Package Drawing	Pins	SPQ	Reel Diameter (mm)	Reel Width W1 (mm)	A0 (mm)	B0 (mm)	K0 (mm)	P1 (mm)	W (mm)	Pin1 Quadrant
DAC7613E/1K	SSOP	DB	24	1000	330.0	16.4	8.2	8.8	2.5	12.0	16.0	Q1
DAC7613EB/1K	SSOP	DB	24	1000	330.0	16.4	8.2	8.8	2.5	12.0	16.0	Q1

TAPE AND REEL BOX DIMENSIONS


*All dimensions are nominal

Device	Package Type	Package Drawing	Pins	SPQ	Length (mm)	Width (mm)	Height (mm)
DAC7613E/1K	SSOP	DB	24	1000	346.0	346.0	33.0
DAC7613EB/1K	SSOP	DB	24	1000	346.0	346.0	33.0

IMPORTANT NOTICE

Texas Instruments Incorporated (TI) reserves the right to make corrections, enhancements, improvements and other changes to its semiconductor products and services per JESD46, latest issue, and to discontinue any product or service per JESD48, latest issue. Buyers should obtain the latest relevant information before placing orders and should verify that such information is current and complete.

TI's published terms of sale for semiconductor products (<http://www.ti.com/sc/docs/stdterms.htm>) apply to the sale of packaged integrated circuit products that TI has qualified and released to market. Additional terms may apply to the use or sale of other types of TI products and services.

Reproduction of significant portions of TI information in TI data sheets is permissible only if reproduction is without alteration and is accompanied by all associated warranties, conditions, limitations, and notices. TI is not responsible or liable for such reproduced documentation. Information of third parties may be subject to additional restrictions. Resale of TI products or services with statements different from or beyond the parameters stated by TI for that product or service voids all express and any implied warranties for the associated TI product or service and is an unfair and deceptive business practice. TI is not responsible or liable for any such statements.

Buyers and others who are developing systems that incorporate TI products (collectively, "Designers") understand and agree that Designers remain responsible for using their independent analysis, evaluation and judgment in designing their applications and that Designers have full and exclusive responsibility to assure the safety of Designers' applications and compliance of their applications (and of all TI products used in or for Designers' applications) with all applicable regulations, laws and other applicable requirements. Designer represents that, with respect to their applications, Designer has all the necessary expertise to create and implement safeguards that (1) anticipate dangerous consequences of failures, (2) monitor failures and their consequences, and (3) lessen the likelihood of failures that might cause harm and take appropriate actions. Designer agrees that prior to using or distributing any applications that include TI products, Designer will thoroughly test such applications and the functionality of such TI products as used in such applications.

TI's provision of technical, application or other design advice, quality characterization, reliability data or other services or information, including, but not limited to, reference designs and materials relating to evaluation modules, (collectively, "TI Resources") are intended to assist designers who are developing applications that incorporate TI products; by downloading, accessing or using TI Resources in any way, Designer (individually or, if Designer is acting on behalf of a company, Designer's company) agrees to use any particular TI Resource solely for this purpose and subject to the terms of this Notice.

TI's provision of TI Resources does not expand or otherwise alter TI's applicable published warranties or warranty disclaimers for TI products, and no additional obligations or liabilities arise from TI providing such TI Resources. TI reserves the right to make corrections, enhancements, improvements and other changes to its TI Resources. TI has not conducted any testing other than that specifically described in the published documentation for a particular TI Resource.

Designer is authorized to use, copy and modify any individual TI Resource only in connection with the development of applications that include the TI product(s) identified in such TI Resource. NO OTHER LICENSE, EXPRESS OR IMPLIED, BY ESTOPPEL OR OTHERWISE TO ANY OTHER TI INTELLECTUAL PROPERTY RIGHT, AND NO LICENSE TO ANY TECHNOLOGY OR INTELLECTUAL PROPERTY RIGHT OF TI OR ANY THIRD PARTY IS GRANTED HEREIN, including but not limited to any patent right, copyright, mask work right, or other intellectual property right relating to any combination, machine, or process in which TI products or services are used. Information regarding or referencing third-party products or services does not constitute a license to use such products or services, or a warranty or endorsement thereof. Use of TI Resources may require a license from a third party under the patents or other intellectual property of the third party, or a license from TI under the patents or other intellectual property of TI.

TI RESOURCES ARE PROVIDED "AS IS" AND WITH ALL FAULTS. TI DISCLAIMS ALL OTHER WARRANTIES OR REPRESENTATIONS, EXPRESS OR IMPLIED, REGARDING RESOURCES OR USE THEREOF, INCLUDING BUT NOT LIMITED TO ACCURACY OR COMPLETENESS, TITLE, ANY EPIDEMIC FAILURE WARRANTY AND ANY IMPLIED WARRANTIES OF MERCHANTABILITY, FITNESS FOR A PARTICULAR PURPOSE, AND NON-INFRINGEMENT OF ANY THIRD PARTY INTELLECTUAL PROPERTY RIGHTS. TI SHALL NOT BE LIABLE FOR AND SHALL NOT DEFEND OR INDEMNIFY DESIGNER AGAINST ANY CLAIM, INCLUDING BUT NOT LIMITED TO ANY INFRINGEMENT CLAIM THAT RELATES TO OR IS BASED ON ANY COMBINATION OF PRODUCTS EVEN IF DESCRIBED IN TI RESOURCES OR OTHERWISE. IN NO EVENT SHALL TI BE LIABLE FOR ANY ACTUAL, DIRECT, SPECIAL, COLLATERAL, INDIRECT, PUNITIVE, INCIDENTAL, CONSEQUENTIAL OR EXEMPLARY DAMAGES IN CONNECTION WITH OR ARISING OUT OF TI RESOURCES OR USE THEREOF, AND REGARDLESS OF WHETHER TI HAS BEEN ADVISED OF THE POSSIBILITY OF SUCH DAMAGES.

Unless TI has explicitly designated an individual product as meeting the requirements of a particular industry standard (e.g., ISO/TS 16949 and ISO 26262), TI is not responsible for any failure to meet such industry standard requirements.

Where TI specifically promotes products as facilitating functional safety or as compliant with industry functional safety standards, such products are intended to help enable customers to design and create their own applications that meet applicable functional safety standards and requirements. Using products in an application does not by itself establish any safety features in the application. Designers must ensure compliance with safety-related requirements and standards applicable to their applications. Designer may not use any TI products in life-critical medical equipment unless authorized officers of the parties have executed a special contract specifically governing such use. Life-critical medical equipment is medical equipment where failure of such equipment would cause serious bodily injury or death (e.g., life support, pacemakers, defibrillators, heart pumps, neurostimulators, and implantables). Such equipment includes, without limitation, all medical devices identified by the U.S. Food and Drug Administration as Class III devices and equivalent classifications outside the U.S.

TI may expressly designate certain products as completing a particular qualification (e.g., Q100, Military Grade, or Enhanced Product). Designers agree that it has the necessary expertise to select the product with the appropriate qualification designation for their applications and that proper product selection is at Designers' own risk. Designers are solely responsible for compliance with all legal and regulatory requirements in connection with such selection.

Designer will fully indemnify TI and its representatives against any damages, costs, losses, and/or liabilities arising out of Designer's non-compliance with the terms and provisions of this Notice.

Looking for pricing, stock, or lifecycle information?

Click below to explore more details on WIN SOURCE:

 [View DAC7613EB/1K on WIN SOURCE](#)

 [Texas Instruments](#) Information

Optimize Your Supply Chain with WIN SOURCE Solutions

-  Global Sourcing Solution
-  Obsolete Management
-  Cost Control Management
-  Shortage Management
-  Alternative Solution
-  Excess Inventory Management