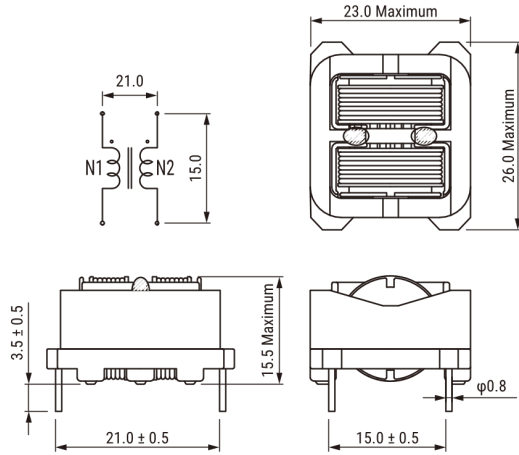




**THE DATASHEET OF  
SSHB21H-R051100**





Click [here](#) for the 3D model.

### General Information

|               |                                 |
|---------------|---------------------------------|
| Series        | SSHB21H                         |
| Style         | Through-Hole                    |
| RoHS          | Yes                             |
| Notes         | Marking: R05 Lot No.            |
| Miscellaneous | Temperature Rise Maximum: 60 K. |
| Core          | Mn-Zn Ferrite                   |

### Specifications

|                   |                               |
|-------------------|-------------------------------|
| Voltage AC        | 250 VAC, 320 VAC (IEC60664-1) |
| Inductance        | 110 mH (10 kHz)               |
| Current           | 500 mA                        |
| Temperature Range | -40/+120°C                    |
| DC Resistance     | 2.1 Ohms (Per Line)           |

### Dimensions

|           |                |
|-----------|----------------|
| L         | 26mm MAX       |
| T         | 23mm MAX       |
| H         | 15.5mm MAX     |
| LL        | 3.5mm +/-0.5mm |
| S         | 21mm +/-0.5mm  |
| S1        | 15mm NOM       |
| Wire Size | 0.23mm         |

### Packaging Specifications

|                          |      |
|--------------------------|------|
| Packaging                | Tray |
| Packaging Quantity       | 360  |
| Typical Component Weight | 14 g |

## Looking for pricing, stock, or lifecycle information?

Click below to explore more details on WIN SOURCE:

 [View SSHB21H-R051100 on WIN SOURCE](#)

 [Kemet Information](#)

## Optimize Your Supply Chain with WIN SOURCE Solutions

-  Global Sourcing Solution
-  Obsolete Management
-  Cost Control Management
-  Shortage Management
-  Alternative Solution
-  Excess Inventory Management