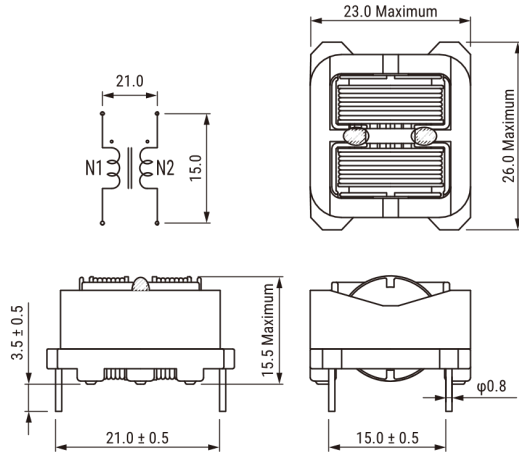




**THE DATASHEET OF  
SSHB21HS-06378**





Click [here](#) for the 3D model.

### General Information

Series	SSHB21HS
Style	Through-Hole
RoHS	Yes
Notes	Marking: 06 Lot No.
Miscellaneous	Temperature Rise Maximum: 60 K.
Core	Mn-Zn Ferrite

### Specifications

Voltage AC	250 VAC, 320 VAC (IEC60664-1)
Inductance	37.8 mH (10 kHz)
Current	600 mA
Temperature Range	-40/+130°C
DC Resistance	1.48 Ohms (Per Line)

### Dimensions

L	26mm MAX
T	23mm MAX
H	15.5mm MAX
LL	3.5mm +/-0.5mm
S	21mm +/-0.5mm
S1	15mm NOM
Wire Size	0.25mm

### Packaging Specifications

Packaging	Tray
Packaging Quantity	360
Typical Component Weight	14 g

## Looking for pricing, stock, or lifecycle information?

Click below to explore more details on WIN SOURCE:

 [View SSHB21HS-06378 on WIN SOURCE](#)

 [Kemet Information](#)

## Optimize Your Supply Chain with WIN SOURCE Solutions

-  Global Sourcing Solution
-  Obsolete Management
-  Cost Control Management
-  Shortage Management
-  Alternative Solution
-  Excess Inventory Management