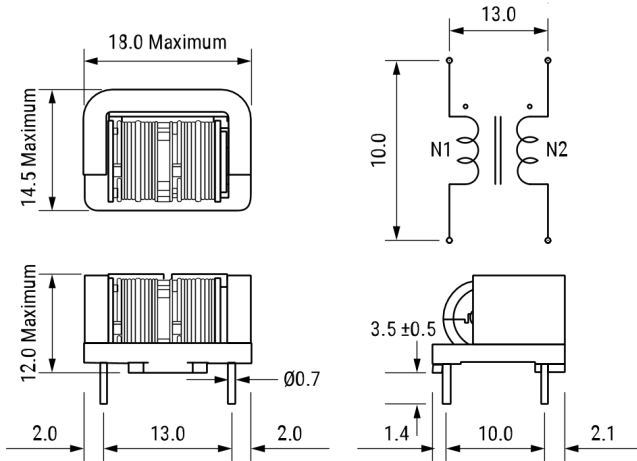




**THE DATASHEET OF
SSRH7HS-M08134**





Click [here](#) for the 3D model.

General Information

| | |
|---------------|---------------------------------|
| Series | SSRH7HS-M |
| Style | Through-Hole |
| RoHS | Yes |
| Notes | M08 Lot No. |
| Miscellaneous | Temperature Rise Maximum: 50 K. |
| Core | Mn-Zn Ferrite |

Specifications

| | |
|-------------------|---------------------|
| Voltage AC | 250 VAC |
| Inductance | 13.4 mH (10 kHz) |
| Current | 800 mA |
| Temperature Range | -40/+120°C |
| DC Resistance | 0.5 Ohms (Per Line) |

Dimensions

| | |
|-----------|----------------|
| L | 18mm MAX |
| T | 14.5mm MAX |
| H | 12mm MAX |
| LL | 3.5mm +/-0.5mm |
| S | 13mm NOM |
| SI | 10mm NOM |
| Wire Size | 0.7mm |

Packaging Specifications

| | |
|--------------------------|------|
| Packaging | Tray |
| Packaging Quantity | 600 |
| Typical Component Weight | 5.1g |

Looking for pricing, stock, or lifecycle information?

Click below to explore more details on WIN SOURCE:

- ⊖ [View SSRH7HS-M08134 on WIN SOURCE](#)
- ⊖ [Kemet Information](#)

Optimize Your Supply Chain with WIN SOURCE Solutions

- ✓ Global Sourcing Solution
- ✓ Obsolete Management
- ✓ Cost Control Management
- ✓ Shortage Management
- ✓ Alternative Solution
- ✓ Excess Inventory Management