



NOTES:

1. MATERIAL #1: PPS, GLASS FILLED, 94V-0, BLACK
2. MATERIAL #2: NYLON 6/6, 94V-0, BLACK
3. MATERIAL #3: PPS, 94V-0, BLACK
4. SW-032-135 ACCEPTABLE TORQUE RANGE: 300-400 mN-m.
5. SW-040-140 ACCEPTABLE TORQUE RANGE: 300-400 mN-m.

| REVISIONS |                                      |           |          |
|-----------|--------------------------------------|-----------|----------|
| REV.      | DESCRIPTION                          | DATE      | APPROVED |
| T         | ECO-1062, ADD TORQUE RANGE NOTE      | 7/13/20   | A.V.     |
| U         | ECO-1112, ADD TORQUE RANGE NOTE      | 12/13/21  | A.V.     |
| V         | ECO-1237, UPDATE MAT'L CALL OUT      | 3/4/2024  | A.V.     |
| W         | ECO-1253, UPDATE TOLERANCE CALL OUTS | 5/14/2024 | A.V.     |

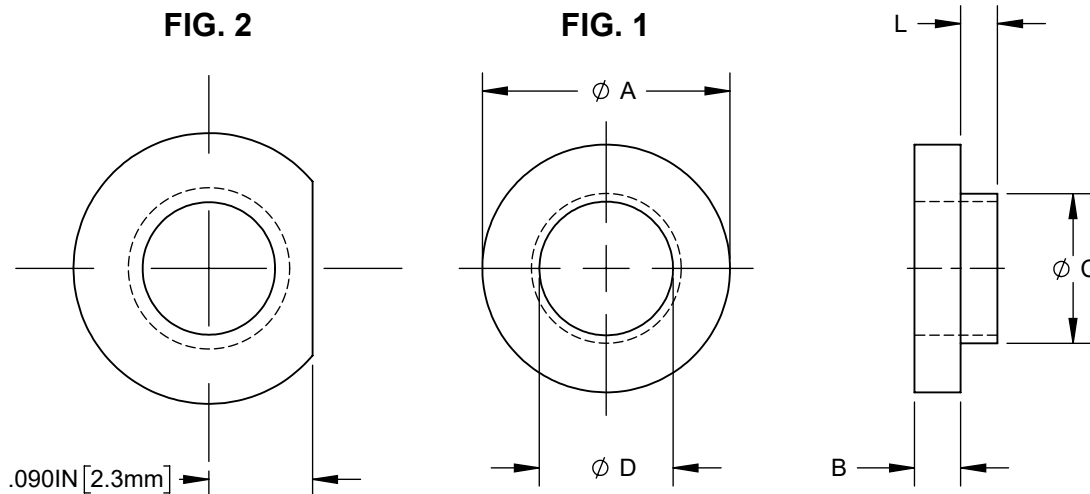
| PARTNO.    | L            | ØA           | B            | ØC           | ØD           | SCREWSIZE | FIG. | MATERIAL |
|------------|--------------|--------------|--------------|--------------|--------------|-----------|------|----------|
| SW-032-135 | .032 (0.8mm) | .215 (5.5mm) | .040 (1.0mm) | .130 (3.3mm) | .116 (3.0mm) | 4         | 1    | 1        |
| SW-040-140 | .040 (1.0mm) | .245 (6.2mm) | .040 (1.0mm) | .140 (3.6mm) | .119 (3.0mm) | 4         | 2    | 1        |
| SW-125-140 | .125 (3.2mm) | .280 (7.1mm) | .042 (1.1mm) | .140 (3.6mm) | .112 (2.8mm) | 4         | 1    | 1        |
| SW-031-145 | .031 (0.8mm) | .280 (7.1mm) | .047 (1.2mm) | .145 (3.7mm) | .118 (3.0mm) | 4         | 1    | 1        |
| SW-093-145 | .093 (2.4mm) | .235 (6.0mm) | .047 (1.2mm) | .140 (3.6mm) | .115 (2.9mm) | 4         | 1    | 2        |
| SW-187-145 | .187 (4.8mm) | .235 (6.0mm) | .047 (1.2mm) | .140 (3.6mm) | .115 (2.9mm) | 4         | 1    | 2        |
| SW-125-150 | .125 (3.2mm) | .280 (7.1mm) | .042 (1.1mm) | .150 (3.8mm) | .112 (2.8mm) | 4         | 1    | 3        |
| SW-185-150 | .185 (4.7mm) | .280 (7.1mm) | .042 (1.1mm) | .150 (3.8mm) | .122 (3.1mm) | 4         | 1    | 1        |
| SW-031-177 | .031 (0.8mm) | .312 (7.9mm) | .047 (1.2mm) | .177 (4.5mm) | .144 (3.7mm) | 6         | 1    | 1        |
| SW-031-190 | .031 (0.8mm) | .312 (7.9mm) | .047 (1.2mm) | .190 (4.8mm) | .146 (3.7mm) | 6         | 1    | 3        |

| DIMENSION | TOLERANCE<br>0.0 TO 0.193<br>(0.0mm TO 4.9mm) | TOLERANCE<br>0.197 TO 0.394<br>(5.0mm TO 10.0mm) |
|-----------|---|--|
| ØA        | ±0.008(±0.2mm)                                | ±0.012(±0.3mm)                                   |
| B         | ±0.008(±0.2mm)                                |  |
| L         | ±0.008(±0.2mm)                                |  |



ISO VIEW



**CUSTOMER USE DRAWING**



|  |         |  |                     |                             |                     |
|--|---------|--|---------------------|-----------------------------|---------------------|
| STANDARD TOLERANCE<br>(UNLESS OTHERWISE SPECIFIED) |         | <br>4 THOMAS, IRVINE, CA. 92618<br>TEL: (949) 951-8808 FAX: (949) 951-3974 |                     |                             |                     |
| DECIMALS   | ANGULAR |  |                     |                             |                     |
| .X ± .1  | X° ± 1° | TITLE: HIGH TEMPERATURE<br>SHOULDER WASHER                                 |                     |                             |                     |
| .XX ± .01  |         |  |                     |                             |                     |
| .XXX ± .005  |         | DESIGNED:<br>D. GREEN  | DATE:<br>01/17/2003 | DRAWING NO:<br>SW-XXX-XXX-W | REVISION:<br>W      |
|  |         | REVISED:<br>D. ASHBY   | DATE:<br>05/14/2024 | SHEET SIZE<br>A             | CAGE CODE:<br>32559 |
|  |         | CHECKED:<br>A. VALDEZ  | DATE:<br>05/14/2024 | SCALE: 6:1                  | SHEET # 1 OF 1      |
| CAD GENERATED DOCUMENT, DO NOT MEASURE DRAWING     |         |  |                     |                             |                     |

## Looking for pricing, stock, or lifecycle information?

Click below to explore more details on WIN SOURCE:

-  [View SW-125-140 on WIN SOURCE](#)
-  [Bivar Inc. Information](#)

## Optimize Your Supply Chain with WIN SOURCE Solutions

-  Global Sourcing Solution
-  Obsolete Management
-  Cost Control Management
-  Shortage Management
-  Alternative Solution
-  Excess Inventory Management