



**THE DATASHEET OF
SW-031-177**



NOTES:

1. MATERIAL #1: PPS, GLASS FILLED, 94V-0, BLACK
2. MATERIAL #2: NYLON 6/6, 94V-0, BLACK
3. MATERIAL #3: PPS, 94V-0, BLACK
4. SW-032-135 ACCEPTABLE TORQUE RANGE: 300-400 mN-m.
5. SW-040-140 ACCEPTABLE TORQUE RANGE: 300-400 mN-m.

| REVISIONS | | | |
|-----------|--------------------------------------|-----------|----------|
| REV. | DESCRIPTION | DATE | APPROVED |
| T | ECO-1062, ADD TORQUE RANGE NOTE | 7/13/20 | A.V. |
| U | ECO-1112, ADD TORQUE RANGE NOTE | 12/13/21 | A.V. |
| V | ECO-1237, UPDATE MAT'L CALL OUT | 3/4/2024 | A.V. |
| W | ECO-1253, UPDATE TOLERANCE CALL OUTS | 5/14/2024 | A.V. |

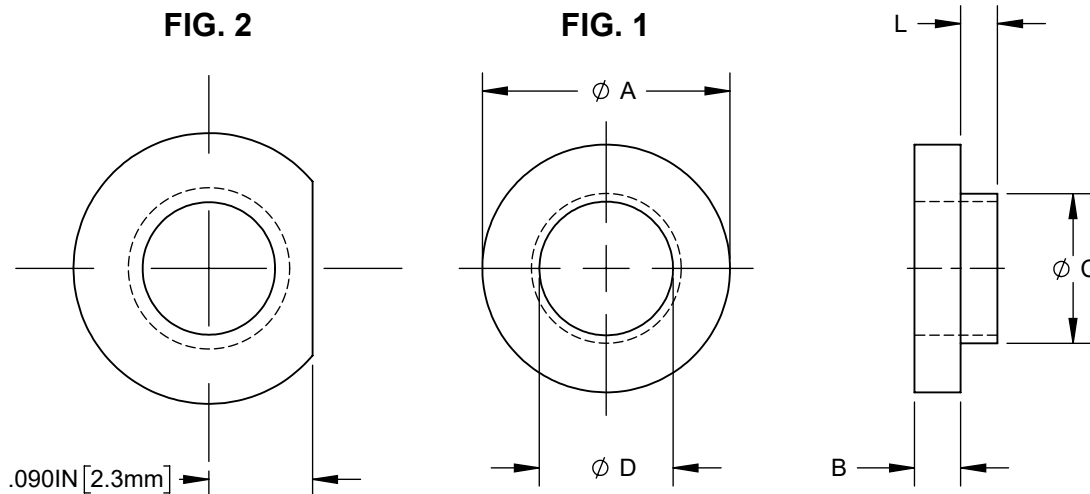
| PARTNO. | L | ØA | B | ØC | ØD | SCREWSIZE | FIG. | MATERIAL |
|------------|--------------|--------------|--------------|--------------|--------------|-----------|------|----------|
| SW-032-135 | .032 (0.8mm) | .215 (5.5mm) | .040 (1.0mm) | .130 (3.3mm) | .116 (3.0mm) | 4 | 1 | 1 |
| SW-040-140 | .040 (1.0mm) | .245 (6.2mm) | .040 (1.0mm) | .140 (3.6mm) | .119 (3.0mm) | 4 | 2 | 1 |
| SW-125-140 | .125 (3.2mm) | .280 (7.1mm) | .042 (1.1mm) | .140 (3.6mm) | .112 (2.8mm) | 4 | 1 | 1 |
| SW-031-145 | .031 (0.8mm) | .280 (7.1mm) | .047 (1.2mm) | .145 (3.7mm) | .118 (3.0mm) | 4 | 1 | 1 |
| SW-093-145 | .093 (2.4mm) | .235 (6.0mm) | .047 (1.2mm) | .140 (3.6mm) | .115 (2.9mm) | 4 | 1 | 2 |
| SW-187-145 | .187 (4.8mm) | .235 (6.0mm) | .047 (1.2mm) | .140 (3.6mm) | .115 (2.9mm) | 4 | 1 | 2 |
| SW-125-150 | .125 (3.2mm) | .280 (7.1mm) | .042 (1.1mm) | .150 (3.8mm) | .112 (2.8mm) | 4 | 1 | 3 |
| SW-185-150 | .185 (4.7mm) | .280 (7.1mm) | .042 (1.1mm) | .150 (3.8mm) | .122 (3.1mm) | 4 | 1 | 1 |
| SW-031-177 | .031 (0.8mm) | .312 (7.9mm) | .047 (1.2mm) | .177 (4.5mm) | .144 (3.7mm) | 6 | 1 | 1 |
| SW-031-190 | .031 (0.8mm) | .312 (7.9mm) | .047 (1.2mm) | .190 (4.8mm) | .146 (3.7mm) | 6 | 1 | 3 |

| DIMENSION | TOLERANCE 0.0 TO 0.193 (0.0mm TO 4.9mm) | TOLERANCE 0.197 TO 0.394 (5.0mm TO 10.0mm) |
|-----------|---|--|
| ØA | ±0.008(±0.2mm) | ±0.012(±0.3mm) |
| B | ±0.008(±0.2mm) | |
| L | ±0.008(±0.2mm) | |



ISO VIEW

CUSTOMER USE DRAWING



| | | | | | |
|--|---------|--|---------------------|-----------------------------|---------------------|
| STANDARD TOLERANCE (UNLESS OTHERWISE SPECIFIED) | | 4 THOMAS, IRVINE, CA. 92618 TEL: (949) 951-8808 FAX: (949) 951-3974 | | | |
| DECIMALS | ANGULAR | | | | |
| .X ± .1 | X° ± 1° | TITLE: HIGH TEMPERATURE SHOULDER WASHER | | | |
| .XX ± .01 | | | | | |
| .XXX ± .005 | | DESIGNED: D. GREEN | DATE: 01/17/2003 | DRAWING NO: SW-XXX-XXX-W | REVISION: W |
| | | REVISED: D. ASHBY | DATE: 05/14/2024 | SHEET SIZE A | CAGE CODE: 32559 |
| | | CHECKED: A. VALDEZ | DATE: 05/14/2024 | SCALE: 6:1 | SHEET # 1 OF 1 |
| CAD GENERATED DOCUMENT, DO NOT MEASURE DRAWING | | | | | |

Looking for pricing, stock, or lifecycle information?

Click below to explore more details on WIN SOURCE:

 [View SW-031-177 on WIN SOURCE](#)

 [Bivar Inc. Information](#)

Optimize Your Supply Chain with WIN SOURCE Solutions

-  Global Sourcing Solution
-  Obsolete Management
-  Cost Control Management
-  Shortage Management
-  Alternative Solution
-  Excess Inventory Management