



**THE DATASHEET OF
SDR0403-300JL**



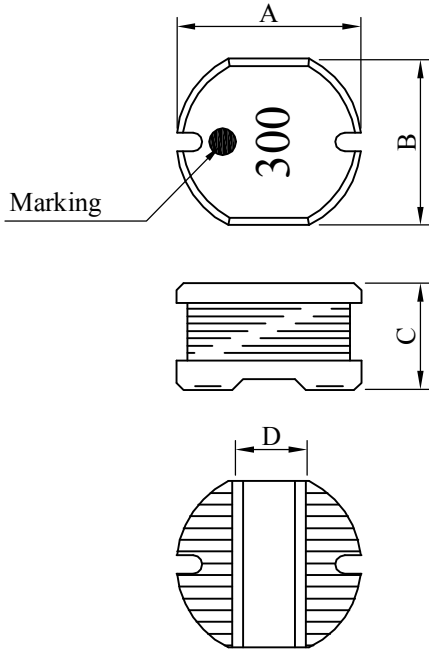
SPECIFICATION FOR APPROVAL

REF :

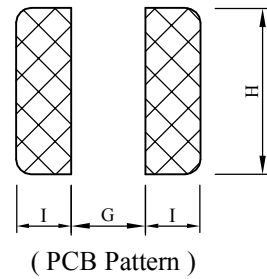
PAGE: 1

PROD. NAME	SMD POWER INDUCTOR	DWG NO.	SDR0403-300JL
		ITEM NO.	

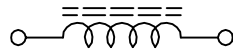
I . CONFIGURATION & DIMENSIONS :



A	: 4.5±0.3	m/m
B	: 4.0±0.3	m/m
C	: 3.2±0.3	m/m
D	: 1.5 typ.	m/m
G	: 1.5 ref.	m/m
H	: 4.5 ref.	m/m
I	: 1.8 ref.	m/m

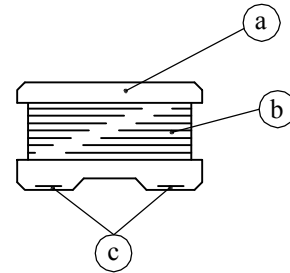


II . SCHEMATIC DIAGRAM :



III . MATERIALS :

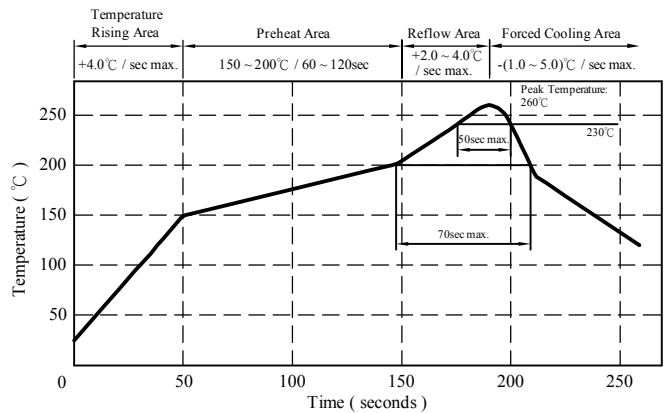
- a . Core : Ferrite DR core
- b . Wire : Enamelled copper wire (class F)
Winding : 2SFBW 0.14ψx36.5Ts (ref.)
- c . Terminal : Ag /Ni/Sn
- d . Remark : Products comply with RoHS' requirements



Peak Temp : 260°C max.
Max time above 230°C : 50sec max.
Max time above 200°C : 70sec max.

IV . GENERAL SPECIFICATION :

- a . Temp. rise : 40°C max.
- b . Rated current : Base on temp. rise & ΔL / L0A=10% max.
- c . Storage temp. : -40°C ----+125°C
- d . Operating temp. : -40°C ----+105°C
- e . Resistance to solder heat : 260°C.10 secs.



SPECIFICATION FOR APPROVAL

REF :

PAGE: 2

PROD. NAME	SMD POWER INDUCTOR	DWG NO.	SDR0403-300JL
		ITEM NO.	

V . ELECTRICAL CHARACTERISTICS :

DWG No.	Inductance (μ H)	Test Freq. (Hz)	RDC (Ω) max.	IDC (A) max.
SDR0403-300JL	30.0 \pm 5%	133K	0.530	0.660

. □ : : :



SPECIFICATION FOR APPROVAL

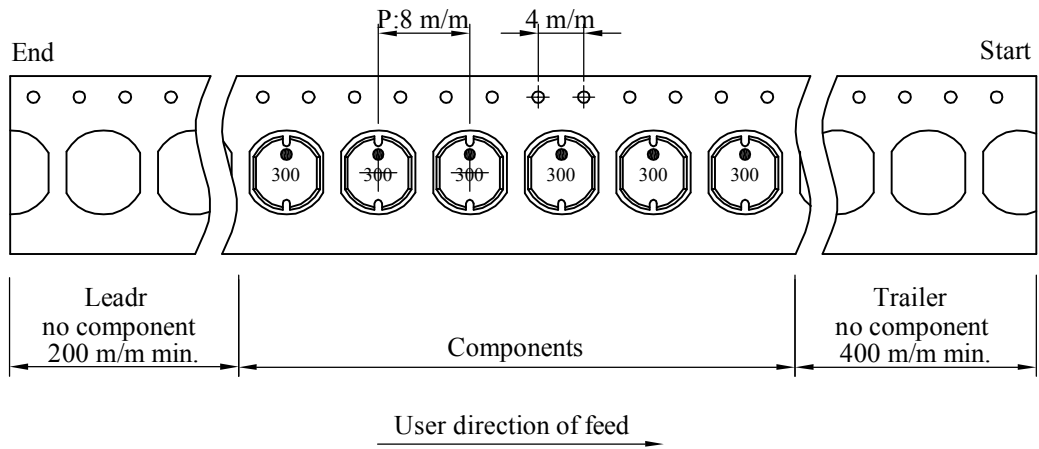
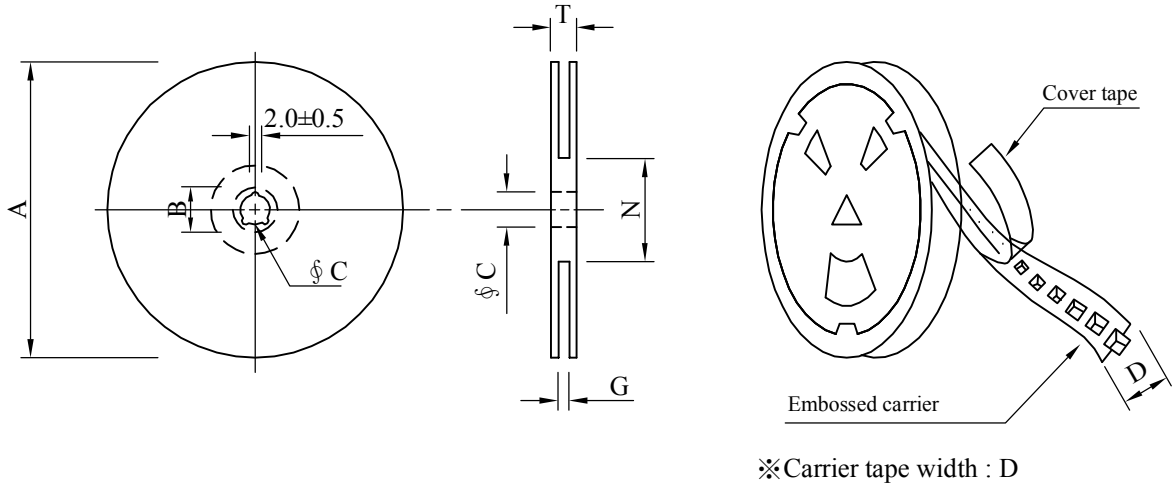
REF :

PAGE: 3

PROD. NAME	SMD POWER INDUCTOR	DWG NO.	SDR0403-300JL
		ITEM NO.	

VI . PACKAGING INFORMATION

(1) Configuration



(2) Dimensions

Unit:m/m



Style	A	B	C	D	G	N	T
13 - 12	330	21±0.8	13±0.5	12	14 ⁺⁰	50 ⁻⁰	18.4

(3) Q'TY & G.W. Per package

Series	Inner : Reel			Outer : Carton		
	Q'TY (pcs)	G.W. (gw)	Style	Q'TY (pcs)	G.W. (Kg)	Size (cm)
SDR0403	2000	1100	13 - 12	16,000	11.9	40 x 40 x 24

Looking for pricing, stock, or lifecycle information?

Click below to explore more details on WIN SOURCE:

-  [View SDR0403-300JL on WIN SOURCE](#)
-  [Bourns Inc. Information](#)

Optimize Your Supply Chain with WIN SOURCE Solutions

-  Global Sourcing Solution
-  Obsolete Management
-  Cost Control Management
-  Shortage Management
-  Alternative Solution
-  Excess Inventory Management