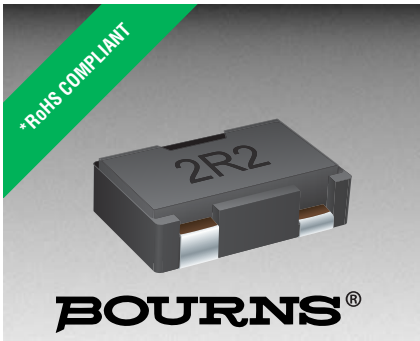




**THE DATASHEET OF
SRP1055-R36Y**





Features

- Shielded construction
- Unit height of 5.5 mm
- Inductance range: 0.36 μ H to 8.8 μ H
- Current up to 28 A
- RoHS compliant*



This series is **Not Recommended** for new designs.

SRP1055 Series - Shielded Power Inductors

Electrical Specifications

Bourns Part No.	Inductance L (μ H)	I rms (A)	I sat (A)	DCR (m Ω) max.
SRP1055-R36Y	0.36 \pm 30 %	28.0	26.0	1.7
SRP1055-R80M	0.80 \pm 20 %	20.0	18.0	2.5
SRP1055-1R4M	1.40 \pm 20 %	16.0	14.0	3.2
SRP1055-2R2M	2.20 \pm 20 %	12.0	10.0	5.8
SRP1055-3R2M	3.20 \pm 20 %	11.0	9.0	7.2
SRP1055-4R3M	4.30 \pm 20 %	10.0	8.0	8.5
SRP1055-5R7M	5.70 \pm 20 %	7.6	7.0	13.2
SRP1055-7R2M	7.20 \pm 20 %	7.0	6.2	15.5
SRP1055-8R8M	8.80 \pm 20 %	6.0	5.6	17.2

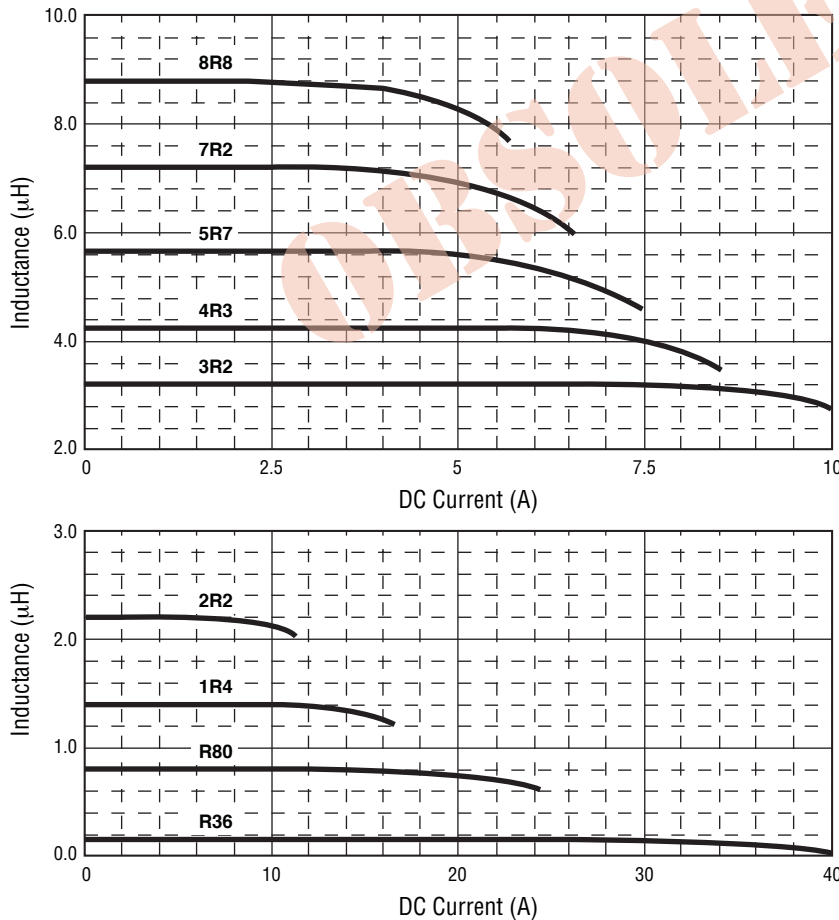
General Specifications

Test Voltage.....1 V
 Test Frequency100 KHz
 Reflow Soldering.....230 °C; 50 sec max.
 Operating Temperature...-55 °C to +150 °C
 (Temperature rise included)
 Storage Temperature...-55 °C to +150 °C
 Resistance to Soldering Heat
+260 °C for 10 sec.

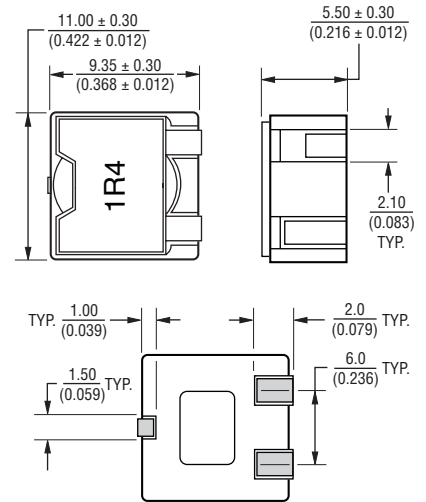
Materials

Core.....Ferrite ER
 Wire.....Enameled copper
 Terminal.....Cu/Ni/Sn
 Rated Current.....Ind. drops 25 % at I sat
 Temperature Rise.....40 °C at rated I rms
 Packaging300 pcs. per 13-inch reel

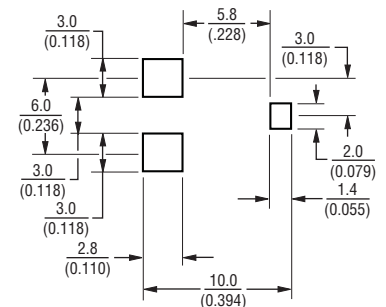
Inductance vs. DC Superposition Characteristics



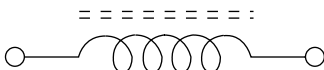
Product Dimensions



Recommended Layout



Electrical Schematic



*RoHS Directive 2002/95/EC Jan 27, 2003 including Annex. Specifications are subject to change without notice. Customers should verify actual device performance in their specific applications.

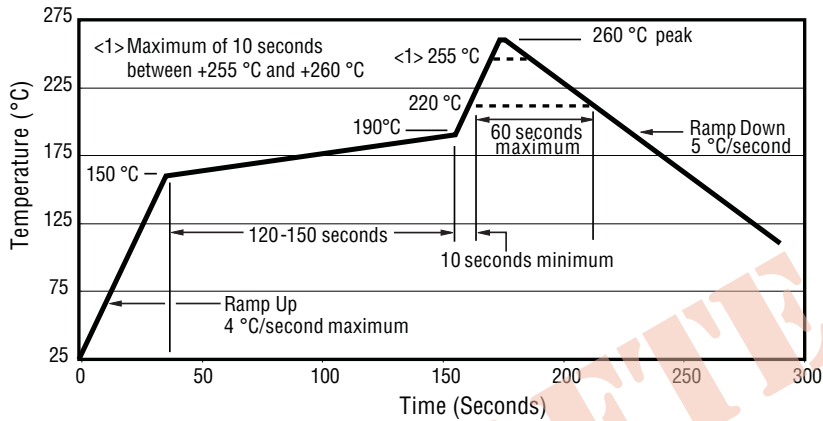
Applications

- Input/output of DC/DC converters
- Power supplies for:
 - Portable communications equipment
 - Camcorders
 - LCD TVs
 - Car audio systems

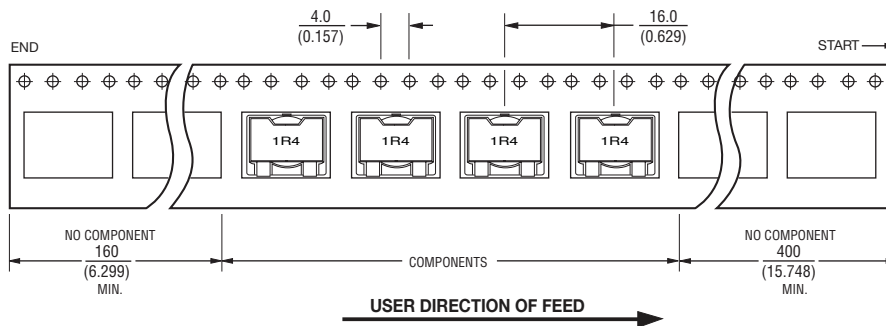
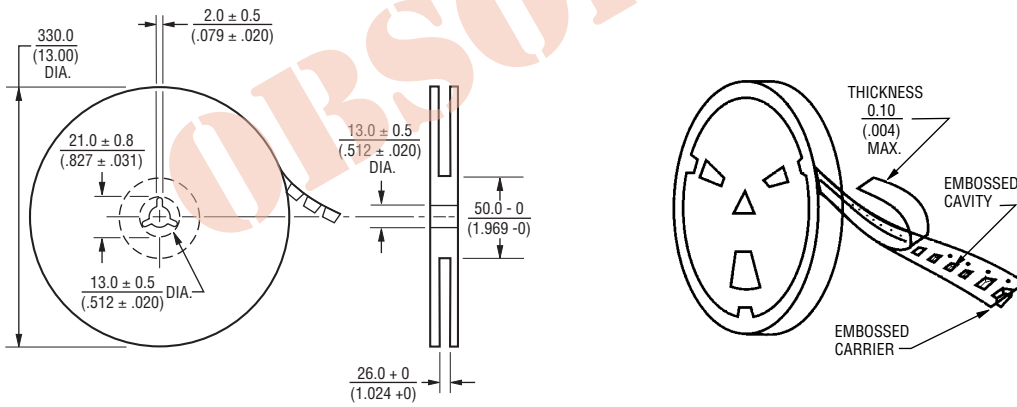
SRP1055 Series - Shielded Power Inductors

BOURNS®

Soldering Profile



Packaging Specifications



DIMENSIONS: $\frac{\text{MM}}{\text{(INCHES)}}$

REV. 10/15

Specifications are subject to change without notice.
Customers should verify actual device performance in their specific applications.






Looking for pricing, stock, or lifecycle information?

Click below to explore more details on WIN SOURCE:

 [View SRP1055-R36Y on WIN SOURCE](#)

 [Bourns Inc. Information](#)

Optimize Your Supply Chain with WIN SOURCE Solutions

-  Global Sourcing Solution
-  Obsolete Management
-  Cost Control Management
-  Shortage Management
-  Alternative Solution
-  Excess Inventory Management