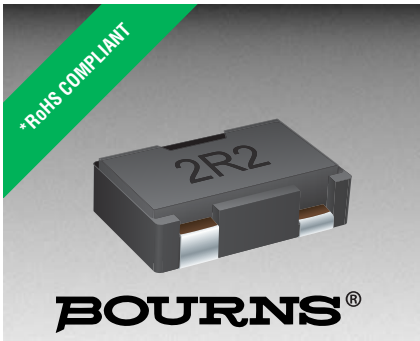




**THE DATASHEET OF  
SRP1055-4R3M**





## Features

- Shielded construction
- Unit height of 5.5 mm
- Inductance range: 0.36  $\mu$ H to 8.8  $\mu$ H
- Current up to 28 A
- RoHS compliant\*



This series is **Not Recommended** for new designs.

## SRP1055 Series - Shielded Power Inductors

### Electrical Specifications

Bourns Part No.	Inductance L ( $\mu$ H)	I rms (A)	I sat (A)	DCR (m $\Omega$ ) max.
SRP1055-R36Y	0.36 $\pm$ 30 %	28.0	26.0	1.7
SRP1055-R80M	0.80 $\pm$ 20 %	20.0	18.0	2.5
SRP1055-1R4M	1.40 $\pm$ 20 %	16.0	14.0	3.2
SRP1055-2R2M	2.20 $\pm$ 20 %	12.0	10.0	5.8
SRP1055-3R2M	3.20 $\pm$ 20 %	11.0	9.0	7.2
SRP1055-4R3M	4.30 $\pm$ 20 %	10.0	8.0	8.5
SRP1055-5R7M	5.70 $\pm$ 20 %	7.6	7.0	13.2
SRP1055-7R2M	7.20 $\pm$ 20 %	7.0	6.2	15.5
SRP1055-8R8M	8.80 $\pm$ 20 %	6.0	5.6	17.2

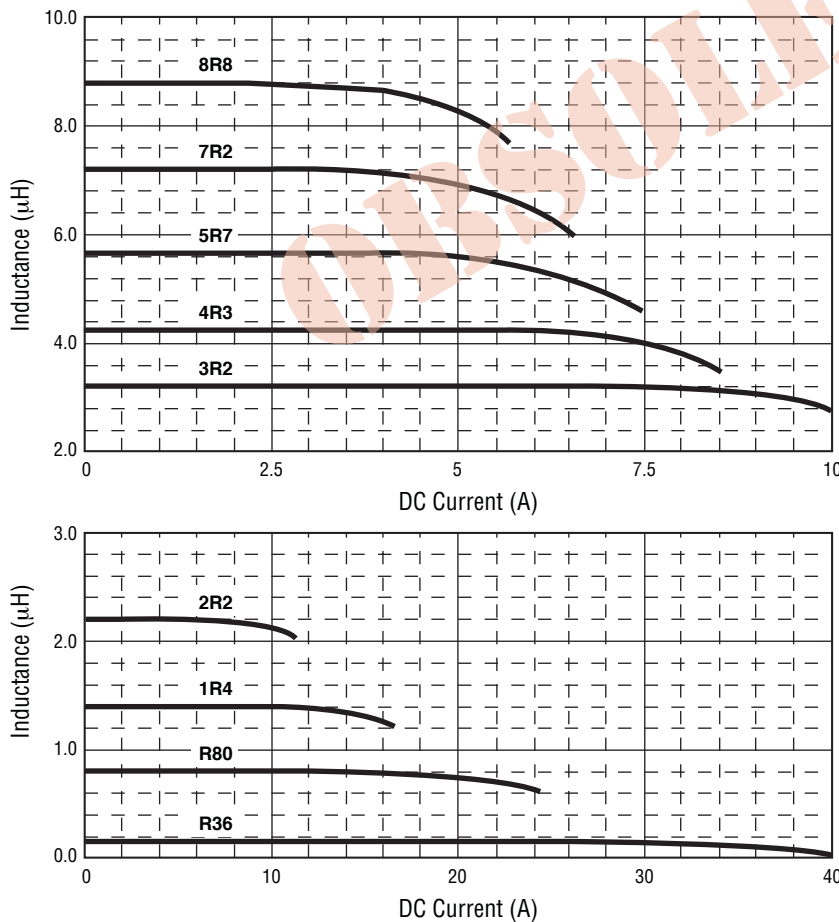
### General Specifications

Test Voltage.....1 V  
 Test Frequency .....100 KHz  
 Reflow Soldering.....230 °C; 50 sec max.  
 Operating Temperature...-55 °C to +150 °C  
 (Temperature rise included)  
 Storage Temperature...-55 °C to +150 °C  
 Resistance to Soldering Heat  
 .....+260 °C for 10 sec.

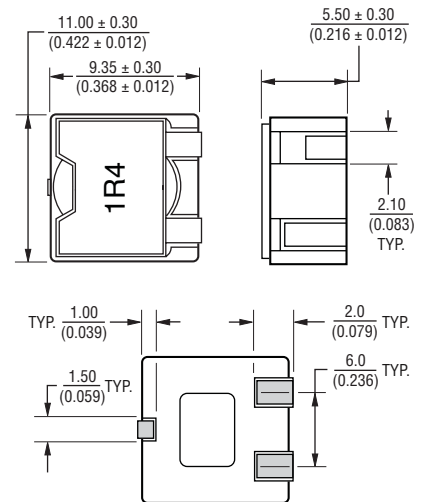
### Materials

Core.....Ferrite ER  
 Wire.....Enameled copper  
 Terminal.....Cu/Ni/Sn  
 Rated Current.....Ind. drops 25 % at I sat  
 Temperature Rise.....40 °C at rated I rms  
 Packaging .....300 pcs. per 13-inch reel

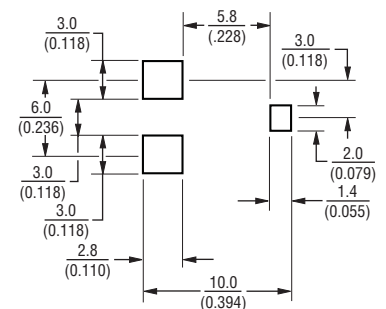
### Inductance vs. DC Superposition Characteristics



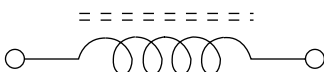
### Product Dimensions



### Recommended Layout



### Electrical Schematic



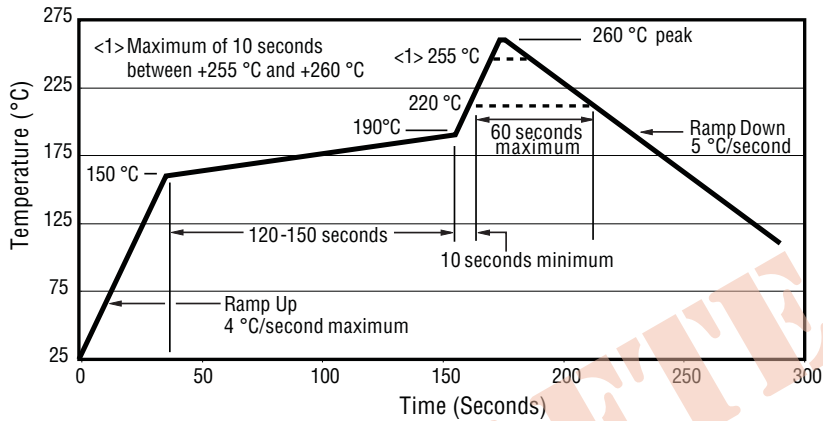
\*RoHS Directive 2002/95/EC Jan 27, 2003 including Annex. Specifications are subject to change without notice. Customers should verify actual device performance in their specific applications.

## Applications

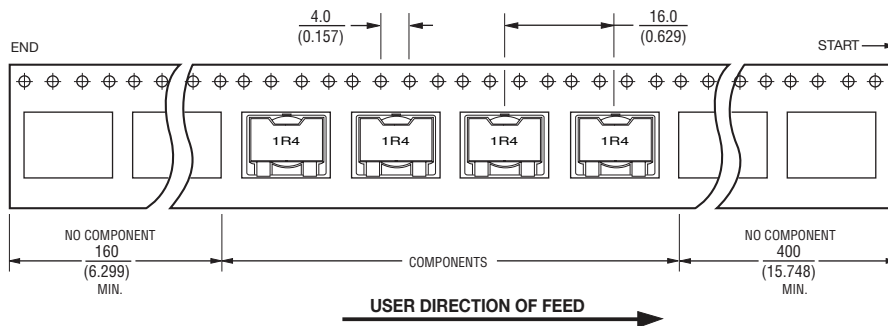
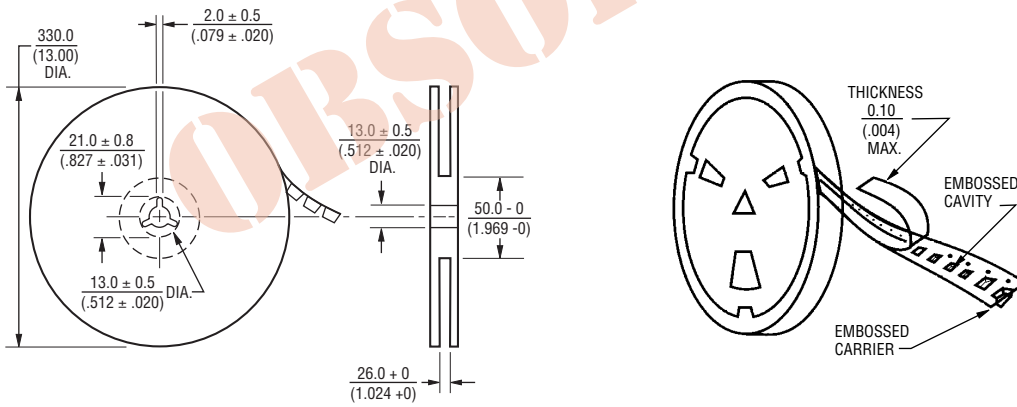
- Input/output of DC/DC converters
- Power supplies for:
  - Portable communications equipment
  - Camcorders
  - LCD TVs
  - Car audio systems

# SRP1055 Series - Shielded Power Inductors **BOURNS®**

## Soldering Profile



## Packaging Specifications



DIMENSIONS:  $\frac{\text{MM}}{\text{(INCHES)}}$






## Looking for pricing, stock, or lifecycle information?

Click below to explore more details on WIN SOURCE:

 [View SRP1055-4R3M on WIN SOURCE](#)

 [Bourns Inc. Information](#)

## Optimize Your Supply Chain with WIN SOURCE Solutions

-  Global Sourcing Solution
-  Obsolete Management
-  Cost Control Management
-  Shortage Management
-  Alternative Solution
-  Excess Inventory Management