



THE DATASHEET OF
DA9036



6-32 SET SCREW

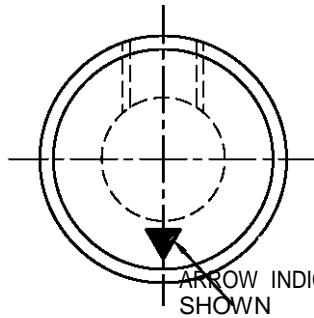
ZONE

REVISIONS

DESCRIPTION

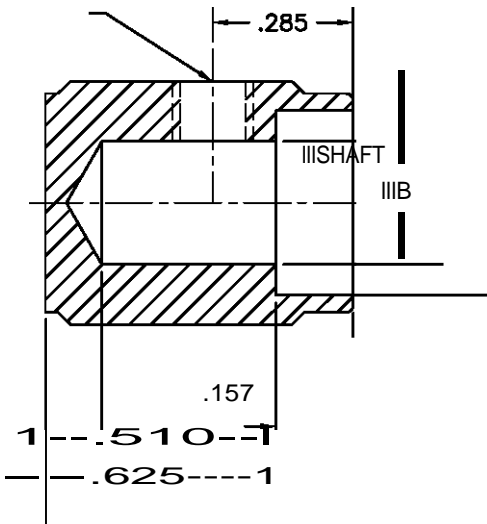
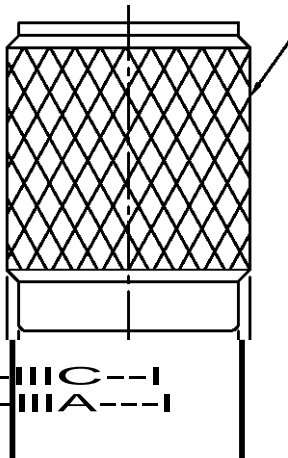
DATE

APPROVED



ARROW INDICATOR SHOWN

DIAMOND KNURL



1 --- .510 --- 1
1 --- .625 --- 1

INDICATOR	MODEL	A	B	C	COLOR CHOICE	SHAFT
A - ARROW	50	.500	.375	.445	1 - CLEAR GLOSS	5 - .250
L - LINE	63	.625	.500	.570	2 - BLACK GLOSS	6 - .125
NI - No Indicator	75	.750	.590	.695	3 - CLEAR MATIE	7 - 6MM
	90	.925	.708	.882	4 - BLACK MATTE	

1 --- III C --- 1
1 --- III A --- 1

UNLESS OTHERWISE SPECIFIED
DIMENSIONS ARE IN INCHES
TOLERANCES
X = ±.03
XX = ±.01
XXX = ±.005
ANGLES = ±5°
BREAK ALL SHARP EDGES .016-.020
ALL SMALL FILLETS .020 - .040
ALL FINISHED SURFACES 125/✓
DO NOT SCALE DRAWING

KILO INTERNATIONAL PROPRIETARY
THIS DOCUMENT AND THE DATA DISCLOSED HEREIN OR HEREVITH IS NOT TO BE REPRODUCED, USED OR DISCLOSED IN WHOLE OR IN PART TO ANYONE WITHOUT WRITTEN PERMISSION OF KILO INTERNATIONAL.

KILO
INTERNATIONAL

1525 IRONTON BOULEVARD
P.O. BOX 51005
PROVO, UTAH 84606 USA
WWW.KILOINTERNATIONAL.COM

DRAWN K FOWLER	DATE 03/05	SIZE B	FSCM NO.	DWG NO. OED-002	REV A
APPROVED C JOHNSON	03/05	SCALE: 4/1	TITLE OED CATALOG	SHEET 1 OF 1	

Looking for pricing, stock, or lifecycle information?

Click below to explore more details on WIN SOURCE:

- ⊖ [View DA9036 on WIN SOURCE](#)
- ⊖ [Dialog Semiconductor GmbH Information](#)

Optimize Your Supply Chain with WIN SOURCE Solutions

- ✓ Global Sourcing Solution
- ✓ Obsolete Management
- ✓ Cost Control Management
- ✓ Shortage Management
- ✓ Alternative Solution
- ✓ Excess Inventory Management