



**THE DATASHEET OF  
SL2125-152KR99-PF**



# Radial Lead Inductors(Coils) For Power Line

Conformity to RoHS Directive

## SL Series SL2125

### FEATURES

- This is a low Rdc, best for the power supply line.
- There is a series of many types from low inductance to high inductance in large current.
- It is a product conforming to RoHS directive.

### APPLICATIONS

Televisions, CRT displays, printers, and various types of electronic products.

### SPECIFICATIONS

|                             |   |
|-----------------------------|---|
| Operating temperature range | -40 to +85°C<br>[Including self-temperature rise] |
| Storage temperature range   | -40 to +85°C [Unit of products]                   |
| Terminal strength           | 9.8N min.   |
| Flow soldering condition    | 260°C /10 seconds                                 |

### PRODUCT IDENTIFICATION

|     |      |     |     |     |     |   |    |
|-----|------|-----|-----|-----|-----|---|----|
| SL  | 2125 | -   | 102 | K   | 1R3 | - | PF |
| (1) | (2)  | (3) | (4) | (5) | (6) |   |    |

(1)Series name

(2)Dimensions

| Type | Dimension    | Lead pitch |
|------|--------------|------------|
| 2125 | ø20.8×25.5mm | 10mm       |

(3)Inductance value

|     |         |
|-----|---------|
| 102 | 1000μH  |
| 103 | 10000μH |

(4)Inductance tolerance

|   |      |
|---|------|
| K | ±10% |
|---|------|

(5)Rated current

|     |       |
|-----|-------|
| 1R3 | 1.3A  |
| R41 | 0.41A |

(6)Lead-free compatible product

|    |                              |
|----|------------------------------|
| PF | Lead-free compatible product |
|----|------------------------------|

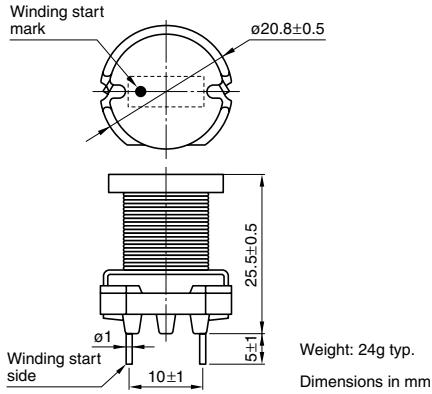
### PACKAGING STYLE AND QUANTITIES

| Packaging style | Quantity        |
|-----------------|-----------------|
| Bulk            | 100 pieces/tray |

• Conformity to RoHS Directive: This means that, in conformity with EU Directive 2002/95/EC, lead, cadmium, mercury, hexavalent chromium, and specific bromine-based flame retardants, PBB and PBDE, have not been used, except for exempted applications.

• All specifications are subject to change without notice.

## SHAPES AND DIMENSIONS



## ELECTRICAL CHARACTERISTICS

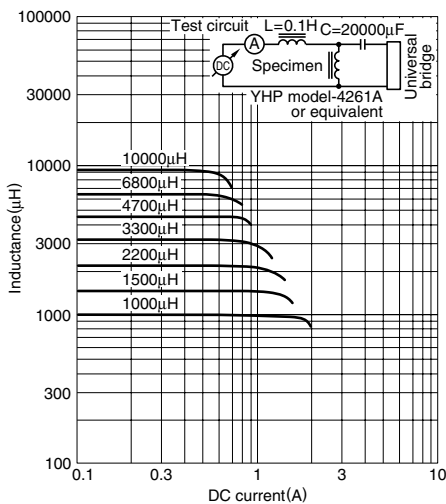
| Inductance ( $\mu\text{H}$ ) | Inductance tolerance | Test frequency L (kHz) | DC resistance ( $\Omega$ )max. | Rated current(A)*max.      |                           | Part No.          |
|------------------------------|----------------------|------------------------|--------------------------------|----------------------------|---------------------------|-------------------|
|                              |                      |                        |                                | Based on inductance change | Based on temperature rise |                   |
| 1000                         | $\pm 10\%$           | 1                      | 0.35                           | 1.7                        | 1.3                       | SL2125-102K1R3-PF |
| 1500                         | $\pm 10\%$           | 1                      | 0.61                           | 1.3                        | 0.99                      | SL2125-152KR99-PF |
| 2200                         | $\pm 10\%$           | 1                      | 0.78                           | 1.1                        | 0.87                      | SL2125-222KR87-PF |
| 3300                         | $\pm 10\%$           | 1                      | 1.15                           | 0.95                       | 0.72                      | SL2125-332KR72-PF |
| 4700                         | $\pm 10\%$           | 1                      | 1.71                           | 0.78                       | 0.59                      | SL2125-472KR59-PF |
| 6800                         | $\pm 10\%$           | 1                      | 2.61                           | 0.66                       | 0.47                      | SL2125-682KR47-PF |
| 10000                        | $\pm 10\%$           | 1                      | 3.41                           | 0.55                       | 0.41                      | SL2125-103KR41-PF |

\* Rated current: Value obtained when current flows and self-temperature has risen to 25°C.

- Test equipment Inductance: LCR METER YHP4261A, or equivalent  
Rdc: MILLIOHM METER VP-2941A MATSUSHITA, or equivalent

## TYPICAL ELECTRICAL CHARACTERISTICS

### INDUCTANCE CHANGE vs. DC SUPERPOSITION CHARACTERISTICS



• All specifications are subject to change without notice.

## Looking for pricing, stock, or lifecycle information?

Click below to explore more details on WIN SOURCE:

- ⊖ [View SL2125-152KR99-PF on WIN SOURCE](#)
- ⊖ [TDK Corporation Information](#)

## Optimize Your Supply Chain with WIN SOURCE Solutions

- ✓ Global Sourcing Solution
- ✓ Obsolete Management
- ✓ Cost Control Management
- ✓ Shortage Management
- ✓ Alternative Solution
- ✓ Excess Inventory Management