

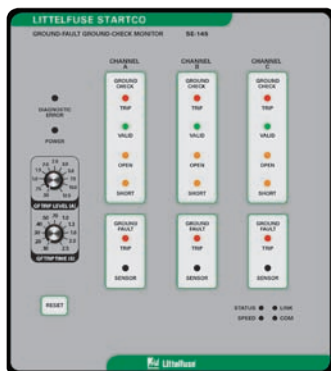


# THE DATASHEET OF SE-105DL

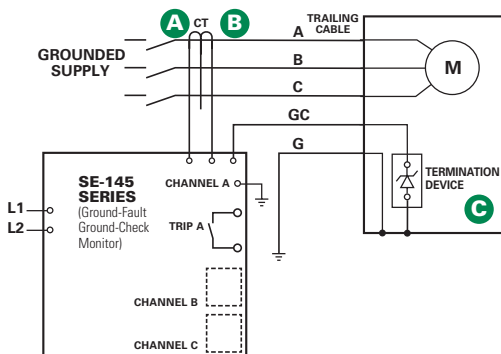


# SE-145 SERIES

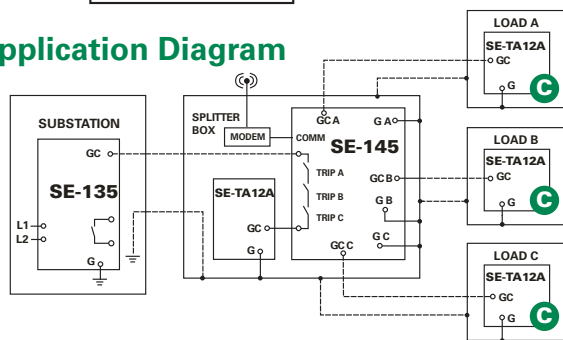
## Ground-Fault Ground-Check Monitor



### Simplified Circuit Diagram



### Application Diagram



### Ordering Information

ORDERING NUMBER	CONTROL POWER	COMM
SE-145-00-00	120/240 Vac; 110-250 Vdc	—
SE-145-03-00	120/240 Vac; 110-250 Vdc	Modbus® TCP
SE-145-30-00	24 Vdc Battery Back-up	—
SE-145-33-00	24 Vdc Battery Back-up	Modbus® TCP

ACCESSORIES	REQUIREMENT
SE-CS10 or SE-CS40 Series	Required
SE-TA12A Series	Required
RK-132	Optional

See Current Transformer Selection Guide and Accessory Information.

### Description

The SE-145 is a three-channel, microprocessor-based, combination ground-wire monitor and ground-fault relay for resistance-grounded or solidly grounded systems. It continuously monitors the integrity of the ground wire to protect portable equipment from hazardous voltages caused by ground faults. The SE-145 is designed for use on three-way splitter box applications.

### Features & Benefits

FEATURES	BENEFITS
<b>Adjustable pickup (0.5- 12.5 A)</b>	Unit can be used on a wide variety of trailing cable applications
<b>Adjustable time delay (1-2.5 s)</b>	Adjustable trip delay for quick protection and system coordination
<b>Output contacts</b>	Separate annunciation of ground-fault and ground-check faults
<b>Ground-check LED indication</b>	Indication of open or short ground-check wire makes it easier to find faults
<b>CT-Loop monitoring</b>	Alarms when CT is not connected
<b>High-induced-ac rejection</b>	Makes unit suitable for applications with high voltages and long cables
<b>DFT (harmonic) filter</b>	Prevents false operation
<b>Zener-characteristic termination assembly</b>	Provides reliable ground-check loop verification
<b>Fail-safe circuits</b>	Ensures ground-check and ground-fault circuits remain safe even in the event of equipment failure
<b>Conformal coating</b>	Additional coating protects circuit boards against harsh environment

### Accessories



- A** **SE-CS10 Series Ground-Fault Current Transformer**  
Zero-sequence current transformer detects ground-fault current. Provides 0.5 to 12.5 A trip range.
- B** **SE-CS40 Series Ground-Fault Current Transformer**  
Zero-sequence current transformer detects ground-fault current. Provides 2.0 to 50 A trip range.
- C** **SE-TA12A Series Termination Assembly**  
Required termination assembly; temperature compensated.

### Specifications

<b>IEEE Device Numbers</b>	Checking or Interlocking Relay (3GC), Ground fault (50G/N, 51G/N)
<b>Input Voltage</b>	60-265 Vac, 60VA; 82-275 Vdc, 45W; 18-30Vdc, 45W
<b>Dimensions</b>	<b>H</b> 213 mm (8.4"); <b>W</b> 192 mm (7.6"); <b>D</b> 176 mm (7.0")
<b>Trip Level Settings</b>	0.5-12.5 A or 2.0-50.0 A
<b>Trip Time Settings</b>	0.1-2.5 s
<b>Contact Operating Mode</b>	Selectable fail-safe or non-fail-safe
<b>Harmonic Filtering</b>	Standard feature
<b>Test Button</b>	Standard feature
<b>Reset Button</b>	Standard feature
<b>Communications</b>	Ethernet Optional
<b>Output Contacts</b>	Isolated Form A and Form B
<b>Conformally Coated</b>	Standard feature
<b>Warranty</b>	5 years
<b>Mounting</b>	Panel, Surface

## Looking for pricing, stock, or lifecycle information?

Click below to explore more details on WIN SOURCE:

-  [View SE-105DL on WIN SOURCE](#)
-  [Littelfuse Inc. Information](#)

## Optimize Your Supply Chain with WIN SOURCE Solutions

-  Global Sourcing Solution
-  Obsolete Management
-  Cost Control Management
-  Shortage Management
-  Alternative Solution
-  Excess Inventory Management