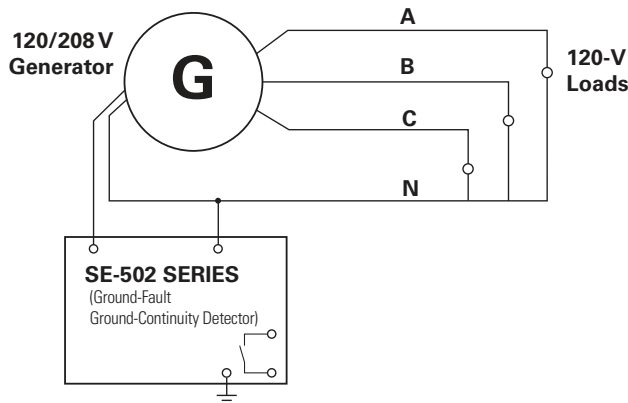


SE-502 SERIES

Ground-Fault Ground-Continuity Detector



Simplified Circuit Diagram



Ordering Information

ORDERING NUMBER	CONTROL POWER
SE-502-01	120 Vac

Description

The SE-502 Ground-Fault Ground-Continuity Detector provides Class-A GFCI trip level and trip times for personnel protection. As little as 5 mA of ground-fault current can be detected, and the internal neutral-grounding resistor limits the maximum ground-fault current to 100 mA. The SE-502 can be used on both energized and de-energized systems, and will continuously monitor neutral continuity, detect a load-side grounded neutral, and is capable of ground proving. These features make the SE-502 ideal for use with 120/208 V portable generators and in heat-trace applications.

Features & Benefits



FEATURES	BENEFITS
Sensitive 5 mA ground-fault detection	Can be used with an appropriate breaker to provide Class A GFCI people protection
Internal neutral-grounding resistor	Limits maximum ground-fault current to 100 mA, creates a safer system and eliminates arc-flash ground-fault hazards
Neutral-to-ground connection monitoring	Can detect a hazardous ungrounded condition and trip or alarm
On- and off-line monitoring	Can detect a ground fault when the system is energized or de-energized
Output contacts	Two Form C output contacts for alarming or tripping purposes

Specifications

IEEE Device Numbers	Ground (Earth) Detector Relay (64) Lockout Relay (86) Open-Neutral Detector Relay (95)
Input Voltage	120 Vac, 50/60 Hz
Dimensions	H 75 mm (3.0") W 100 mm (4.0") D 113 mm (4.4")
Trip Level Settings	5 ± 0.9 mA
Trip Time Settings	Class A GFCI to 25 ms maximum
Contact Operating Mode	Trip: fail-safe or non-fail-safe Alarm: fail-safe
Reset Button	Standard feature plus remote input
Output Contacts	Two Form C
Warranty	5 years
Mounting	DIN, Surface

Looking for pricing, stock, or lifecycle information?

Click below to explore more details on WIN SOURCE:

-  [View SE-601-0U on WIN SOURCE](#)
-  [Littelfuse Inc. Information](#)

Optimize Your Supply Chain with WIN SOURCE Solutions

-  Global Sourcing Solution
-  Obsolete Management
-  Cost Control Management
-  Shortage Management
-  Alternative Solution
-  Excess Inventory Management