

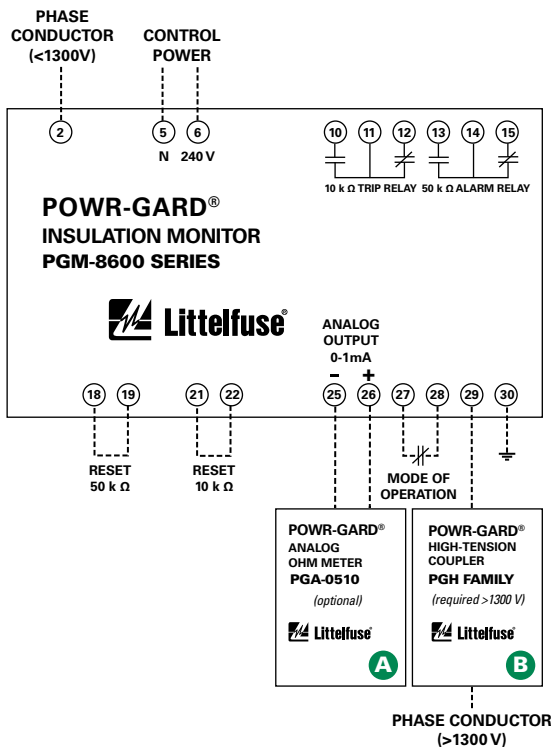


# PGM-8600 SERIES (GFR4001-IM)

## Insulation Monitor



### Wiring Diagram



### Ordering Information

CATALOG/ SYSTEM NUMBER	CONTROL POWER	
PGM-8600	240 Vac	
ACCESSORIES	REQUIREMENT	PAGE
PGH Family	Required >1300 V	42
PGA-0510	Optional	41

Note: For optional conformal coating please consult factory.


### Description


The PGM-8600 relay monitors the insulation resistance to ground for failures. It provides two warnings, one alarm, and an analog output for predictive maintenance. The relay can operate on 1 or 3-phase grounded, resistance grounded or ungrounded systems up to 6 kV. When the power system is de-energized, the relay monitors the insulation for damage, allowing for predictive maintenance and troubleshooting for developing ground faults. When the power system is energized in ungrounded systems, the relay continues to monitor the insulation. In grounded systems, the relay switches off to prevent nuisance tripping. The mode of operation terminals (27-28) are connected to the circuit breaker or contactor auxiliary contacts to toggle the relay off when the contactor or breaker is closed.

### Features & Benefits

FEATURES	BENEFITS
<b>Analog Output (0–1 mA)</b>	Provides means for connecting an optional PGA-0510 meter to display insulation resistance.
<b>Output Contacts (50 kΩ)</b>	Form C output contact for alarming purposes
<b>Output Contacts (10 kΩ)</b>	Form C output contact for tripping purposes

### Accessories

**A**  **PGA-0510 Analog Ohm Meter**  
Optional PGA-0510 Analog meter allows for remote metering of insulation resistance.

**B**  **PGH Family High Tension Couplers**  
Required (for systems >1,300 V) PGH Family high-tension coupler must be connected between the phase conductor and the PGM-8600 insulation monitor.

### Specifications

<b>IEEE Device Numbers</b>	Lockout Relay (86)
<b>Input Voltage</b>	240 Vac, 50–60 Hz
<b>Dimensions</b>	<b>H</b> 99.7 mm (3.9"); <b>W</b> 75 mm (3"); <b>D</b> 110 mm (4.3")
<b>Resistance Ratings</b>	Insulation warnings (30 kΩ and 50 kΩ) Insulation alarm (10 kΩ)
<b>Contact Operating Mode</b>	Non-fail-safe
<b>Test Button</b>	Standard feature
<b>Reset Button</b>	Standard feature
<b>Output Contacts</b>	Two Form C
<b>Communications</b>	Analog output
<b>Conformally Coated</b>	Optional
<b>Warranty</b>	5 years
<b>Mounting</b>	DIN, Surface

## Looking for pricing, stock, or lifecycle information?

Click below to explore more details on WIN SOURCE:

 [View SE-703-0T-00 on WIN SOURCE](#)

 [Littelfuse Inc. Information](#)

## Optimize Your Supply Chain with WIN SOURCE Solutions

-  Global Sourcing Solution
-  Obsolete Management
-  Cost Control Management
-  Shortage Management
-  Alternative Solution
-  Excess Inventory Management