



SKYWORKS®

Si52142xx

PCI-EXPRESS GEN 1, GEN 2, & GEN 3 TWO-OUTPUT CLOCK GENERATOR WITH 25 MHz REFERENCE CLOCK

Features

- PCI-Express Gen 1, Gen 2, Gen 3, and Gen 4 common clock compliant
- Gen 3 SRNS Compliant
- Two 100 MHz, 125 MHz, or 200 MHz differential clock outputs
- Supports Serial ATA (SATA) at 100 MHz
- Low power, push-pull HCSL compatible differential outputs
- No termination resistors required
- Dedicated output enable hardware pins for each clock output
- Dedicated hardware pins for spread spectrum and frequency control on differential outputs
- Up to two PCI-Express clocks
- 25 MHz reference clock output
- 25 MHz crystal input or clock input
- Signal integrity tuning
- I²C support with readback capabilities
- Triangular spread spectrum profile for maximum electromagnetic interference (EMI) reduction
- Industrial temperature -40 to 85 °C
- 3.3 V power supply
- 24-pin QFN package



Applications

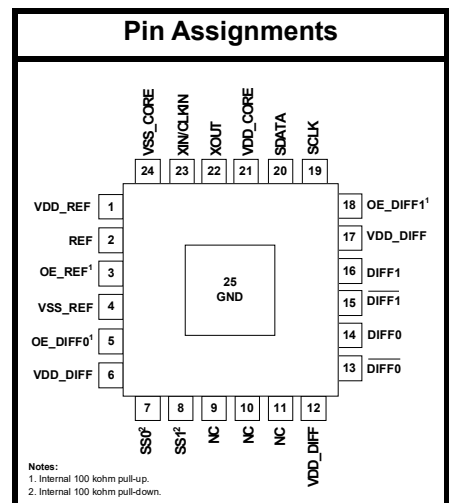
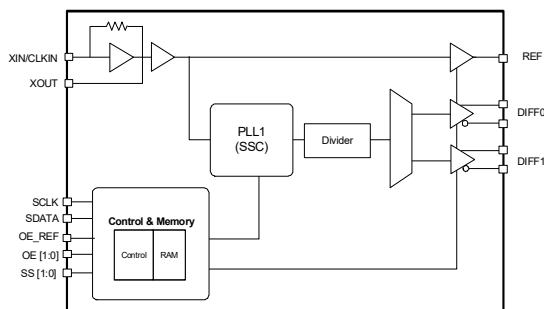
- Network attached storage
- Multi-function printer
- Wireless access point
- Routers

Description

The Si52142 is a spread-spectrum enabled PCIe clock generator that can source two PCIe clocks and a 25 MHz reference clock. The device has three hardware output enable pins for enabling the respective outputs, and two hardware pins to control spread spectrum and frequency on PCIe clock outputs. In addition to the hardware control pins, I²C programmability is also available to dynamically control skew, edge rate, and amplitude on the true, compliment, or both differential signals on the PCIe clock outputs. This control feature enables optimal signal integrity as well as optimal EMI signature on the PCIe clock outputs.

Refer to AN636 for signal integrity and configurability. Measuring PCIe clock jitter is quick and easy with the Skyworks Solutions PCIe Clock Jitter Tool. Download it for free at <https://www.skyworksinc.com/en/application-pages/pci-express-learning-center>.

Functional Block Diagram



Patents pending

TABLE OF CONTENTS

Section	Page
1. Electrical Specifications	4
2. Functional Description	7
2.1. Crystal Recommendations	7
2.2. OE Pin Definition	8
2.3. OE Assertion	8
2.4. OE Deassertion	8
2.5. SS[1:0] Pin Definition	8
3. Test and Measurement Setup	9
4. Control Registers	11
4.1. I2C Interface	11
4.2. Data Protocol	11
5. Pin Descriptions: 24-Pin QFN	16
6. Ordering Guide	18
7. Package Outline	19
8. Land Pattern	20
Document Change List	22

Si52142xx

1. Electrical Specifications

Table 1. DC Electrical Specifications

Parameter	Symbol	Test Condition	Min	Typ	Max	Unit
3.3 V Operating Voltage	VDD core	3.3 ± 5%	3.135	3.3	3.465	V
3.3 V Input High Voltage	V _{IH}	Control input pins	2.0	—	V _{DD} + 0.3	V
3.3 V Input Low Voltage	V _{IL}	Control input pins	V _{SS} - 0.3	—	0.8	V
Input High Voltage	V _{IHI2C}	SDATA, SCLK	2.2	—	—	V
Input Low Voltage	V _{ILI2C}	SDATA, SCLK	—	—	1.0	V
Input High Leakage Current	I _{IH}	Except internal pull-down resistors, 0 < V _{IN} < V _{DD}	—	—	5	μA
Input Low Leakage Current	I _{IL}	Except internal pull-up resistors, 0 < V _{IN} < V _{DD}	-5	—	—	μA
3.3 V Output High Voltage (Single-Ended Outputs)	V _{OH}	I _{OH} = -1 mA	2.4	—	—	V
3.3 V Output High Voltage (Single-Ended Outputs)	V _{OL}	I _{OL} = 1 mA	—	—	0.4	V
High-impedance Output Current	I _{OZ}		-10	—	10	μA
Input Pin Capacitance	C _{IN}		1.5	—	5	pF
Output Pin Capacitance	C _{OUT}		—	—	6	pF
Pin Inductance	L _{IN}		—	—	7	nH
Dynamic Supply Current	I _{DD_3.3V}	All outputs enabled. Differential clocks with 5" traces and 2 pF load.	—	—	40	mA

Table 2. AC Electrical Specifications

Parameter	Symbol	Test Condition	Min	Typ	Max	Unit
Crystal						
Long-term Accuracy	L _{ACC}	Measured at VDD/2 differential	—	—	250	ppm
Clock Input						
Duty Cycle	T _{DC}	Measured at VDD/2	45	—	55	%
CLKIN Rising and Falling Slew Rate	T _R /T _F	Measured between 0.2 V _{DD} and 0.8 V _{DD}	0.5	—	4.0	V/ns
Cycle to Cycle Jitter	T _{CCJ}	Measured at VDD/2	—	—	250	ps
Notes:						
1. Visit www.pcisig.com for complete PCIe specifications.						
2. Gen 4 specifications based on the PCI-Express Base Specification 4.0 rev. 0.5.						
3. Download the Skyworks Solutions PCIe Clock Jitter Tool at https://www.skyworksinc.com/en/application-pages/pci-express-learning-center .						

Table 2. AC Electrical Specifications (Continued)

Parameter	Symbol	Test Condition	Min	Typ	Max	Unit
Long Term Jitter	T_{LTJ}	Measured at VDD/2	—	—	350	ps
Input High Voltage	V_{IH}	XIN/CLKIN pin	2	—	VDD+0.3	V
Input Low Voltage	V_{IL}	XIN/CLKIN pin	—	—	0.8	V
Input High Current	I_{IH}	XIN/CLKIN pin, $V_{IN} = VDD$	—	—	35	μA
Input Low Current	I_{IL}	XIN/CLKIN pin, $0 < V_{IN} < 0.8$	-35	—	—	μA
DIFF at 0.7 V						
Duty Cycle	T_{DC}	Measured at 0 V differential	45	—	55	%
Output-Output Skew	T_{SKEW}	Measured at 0 V differential	—	—	50	ps
Cycle to Cycle Jitter	T_{CCJ}	Measured at 0 V differential	—	35	50	ps
PCIe Gen 1 Pk-Pk Jitter, Common Clock	Pk-Pk	PCIe Gen 1	0	40	45	ps
PCIe Gen 2 Phase Jitter, Common Clock	RMS_{GEN2}	$10 \text{ kHz} < F < 1.5 \text{ MHz}$	0	1.8	2.0	ps
		$1.5 \text{ MHz} < F < \text{Nyquist Rate}$	0	1.8	2.0	ps
PCIe Gen 3 Phase Jitter, Common Clock	RMS_{GEN3}	PLL BW 2–4 MHz CDR = 10 MHz	0	0.5	0.6	ps
PCIe Gen 3 Phase Jitter, Separate Reference No Spread, SRNS	RMS_{GEN3_SRNS}	PLL BW of 2–4 or 2–5 MHz, CDR = 10 MHz	—	0.35	0.42	ps
PCIe Gen 4 Phase Jitter, Common Clock	RMS_{GEN4}	PLL BW of 2–4 or 2–5 MHz, CDR = 10 MHz	—	0.5	0.6	ps
Long Term Accuracy	L_{ACC}	Measured at 0 V differential	—	—	100	ppm
Rising/Falling Slew Rate	T_R / T_F	Measured differentially from $\pm 150 \text{ mV}$	1	—	8	V/ns
Voltage High	V_{HIGH}		—	—	1.15	V
Voltage Low	V_{LOW}		-0.3	—	—	V
Crossing Point Voltage at 0.7 V Swing	V_{OX}		300	—	550	mV
Spread Range	SPR	Down spread	—	-0.5	—	%
Modulation Frequency	F_{MOD}		30	31.5	33	kHz

Notes:

1. Visit www.pcisig.com for complete PCIe specifications.
2. Gen 4 specifications based on the PCI-Express Base Specification 4.0 rev. 0.5.
3. Download the Skyworks Solutions PCIe Clock Jitter Tool at <https://www.skyworksinc.com/en/application-pages/pci-express-learning-center>.

Si52142xx

Table 2. AC Electrical Specifications (Continued)

Parameter	Symbol	Test Condition	Min	Typ	Max	Unit
REF(25 MHz) at 3.3 V						
Duty Cycle	T_{DC}	Measurement at 1.5 V	45	—	55	%
Rising and Falling Edge Rate	T_R / T_F	Measured between 0.8 and 2.0 V	1.0	—	4.0	V/ns
Cycle to Cycle Jitter	T_{CCJ}	Measurement at 1.5 V	—	—	300	ps
Long Term Accuracy	L_{ACC}	Measured at 1.5 V	—	—	100	ppm
Enable/Disable and Set-Up						
Clock Stabilization from Power-up	T_{STABLE}	Measured from the point both V_{DD} and clock input are valid	—	—	1.8	ms
Stopclock Set-up Time	T_{SS}		10.0	—	—	ns
Notes:						
<ol style="list-style-type: none"> 1. Visit www.pcisig.com for complete PCIe specifications. 2. Gen 4 specifications based on the PCI-Express Base Specification 4.0 rev. 0.5. 3. Download the Skyworks Solutions PCIe Clock Jitter Tool at https://www.skyworksinc.com/en/application-pages/pci-express-learning-center. 						

Table 3. Absolute Maximum Conditions

Parameter	Symbol	Test Condition	Min	Typ	Max	Unit
Main Supply Voltage	$V_{DD_3.3V}$	Functional	—	—	4.6	V
Input Voltage	V_{IN}	Relative to V_{SS}	-0.5	—	4.6	V_{DC}
Temperature, Storage	T_S	Non-functional	-65	—	150	°C
Temperature, Operating Ambient	T_A	Functional	-40	—	85	°C
Temperature, Junction	T_J	Functional	—	—	150	°C
Dissipation, Junction to Case	θ_{JC}	JEDEC (JESD 51)	—	—	25	°C/W
Dissipation, Junction to Ambient	θ_{JA}	JEDEC (JESD 51)	—	—	37	°C/W
ESD Protection (Human Body Model)	ESD_{HBM}	JEDEC (JESD 22-A114)	2000	—	—	V
Flammability Rating	UL-94	UL (Class)	V-0			
Note: While using multiple power supplies, the voltage on any input or I/O pin cannot exceed the power pin during power-up. Power supply sequencing is not required.						

2. Functional Description

2.1. Crystal Recommendations

If using crystal input, the device requires a parallel resonance 25 MHz crystal.

Table 4. Crystal Recommendations

Frequency (Fund)	Cut	Loading	Load Cap	Shunt Cap (max)	Motional (max)	Tolerance (max)	Stability (max)	Aging (max)
25 MHz	AT	Parallel	12–15 pF	5 pF	0.016 pF	35 ppm	30 ppm	5 ppm

2.1.1. Crystal Loading

Crystal loading is critical for ppm accuracy. In order to achieve low/zero ppm error, use the calculations below in section 2.1.2 to estimate the appropriate capacitive loading (CL).

Figure 1 shows a typical crystal configuration using two trim capacitors. It is important that the trim capacitors are in series with the crystal.

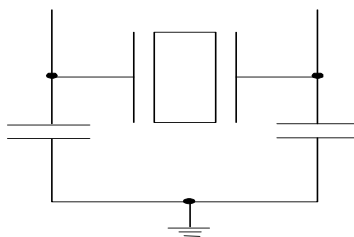


Figure 1. Crystal Capacitive Clarification

2.1.2. Calculating Load Capacitors

In addition to the standard external trim capacitors, consider the trace capacitance and pin capacitance to calculate the crystal loading correctly. The capacitance on each side is in series with the crystal. The total capacitance on both sides is twice the specified crystal load capacitance (CL). Trim capacitors are calculated to provide equal capacitive loading on both sides.

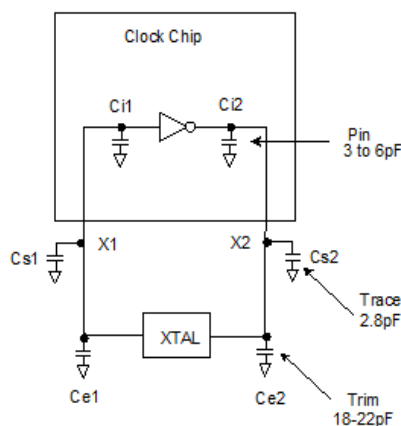


Figure 2. Crystal Loading Example

Si52142xx

Use the following formulas to calculate the trim capacitor values for Ce1 and Ce2.

Load Capacitance (each side)

$$C_e = 2 \times CL - (C_s + C_i)$$

Total Capacitance (as seen by the crystal)

$$CL_e = \frac{1}{\left(\frac{1}{C_{e1} + C_{s1} + C_{i1}} + \frac{1}{C_{e2} + C_{s2} + C_{i2}} \right)}$$

- CL: Crystal load capacitance
- CL_e: Actual loading seen by crystal using standard value trim capacitors
- C_e: External trim capacitors
- C_s: Stray capacitance (terraced)
- C_i: Internal capacitance (lead frame, bond wires, etc.)

2.2. OE Pin Definition

The OE pins are active high inputs used to enable and disable the output clocks. To enable the output clock, the OE pin needs to be logic high and the I²C output enable bit needs to be logic high. There are two methods to disable the output clocks: the OE is pulled to a logic low, or the I²C enable bit is set to a logic low. The OE pins is required to be driven at all time and even though it has an internally 100 kΩ resistor.

2.3. OE Assertion

The OE signals are active high input used for synchronous stopping and starting the output clocks respectively while the rest of the clock generator continues to function. The assertion of the OE signal by making it logic high causes stopped respective output clocks to resume normal operation. No short or stretched clock pulses are produced when the clock resumes. The maximum latency from the assertion to active outputs is no more than two to six output clock cycles.

2.4. OE Deassertion

When the OE pin is deasserted by making its logic low, the corresponding output clocks are stopped cleanly, and the final output state is driven low.

2.5. SS[1:0] Pin Definition

SS[1:0] are active inputs used to select differential output frequency and enable spread of –0.5% on all DIFF outputs as per Table 5.

Table 5. SS0 and SS1 Frequency/Spread Selection

SS1	SS0	Differential Frequency	Differential Spread	Configuration
0	0	100 MHz	Spread Off	Default
0	1	100 MHz	–0.50%	
1	0	125 MHz	Spread Off	
1	1	200 MHz	Spread Off	

3. Test and Measurement Setup

Figure 3 shows the test load configuration for the HCSL compatible clock outputs.

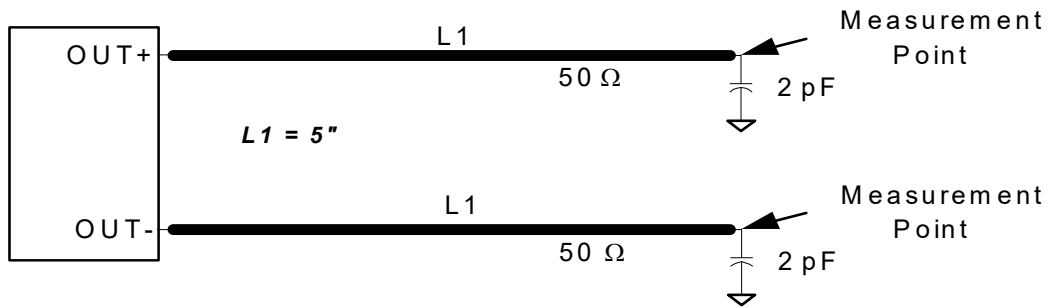


Figure 3. 0.7 V Differential Load Configuration

Please reference application note AN781 for recommendations on how to terminate the differential outputs for LVDS, LVPECL, or CML signaling levels.

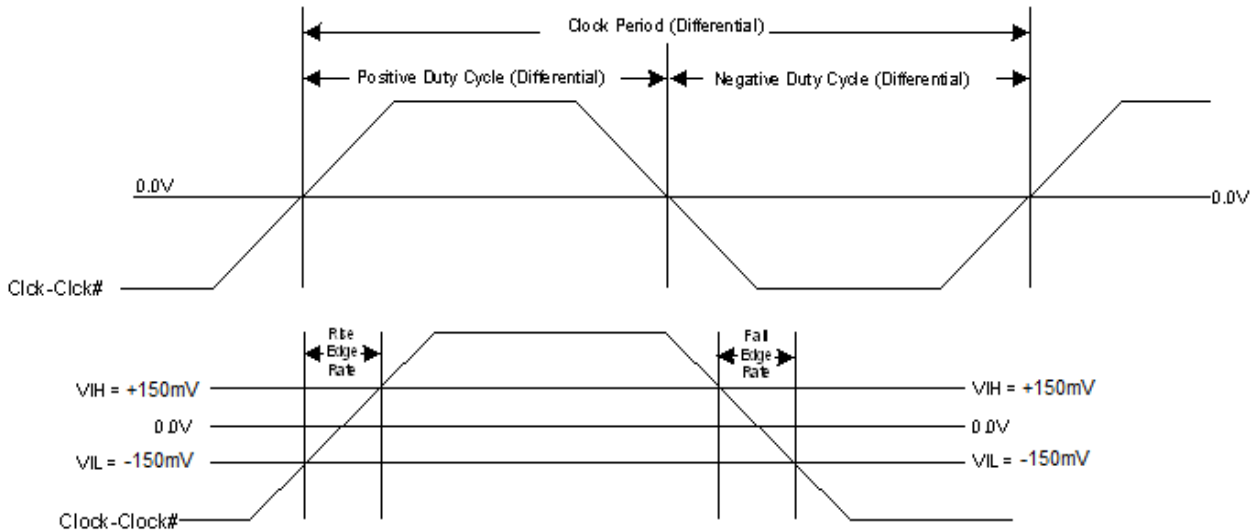


Figure 4. Differential Measurement for Differential Output Signals (for AC Parameters Measurement)

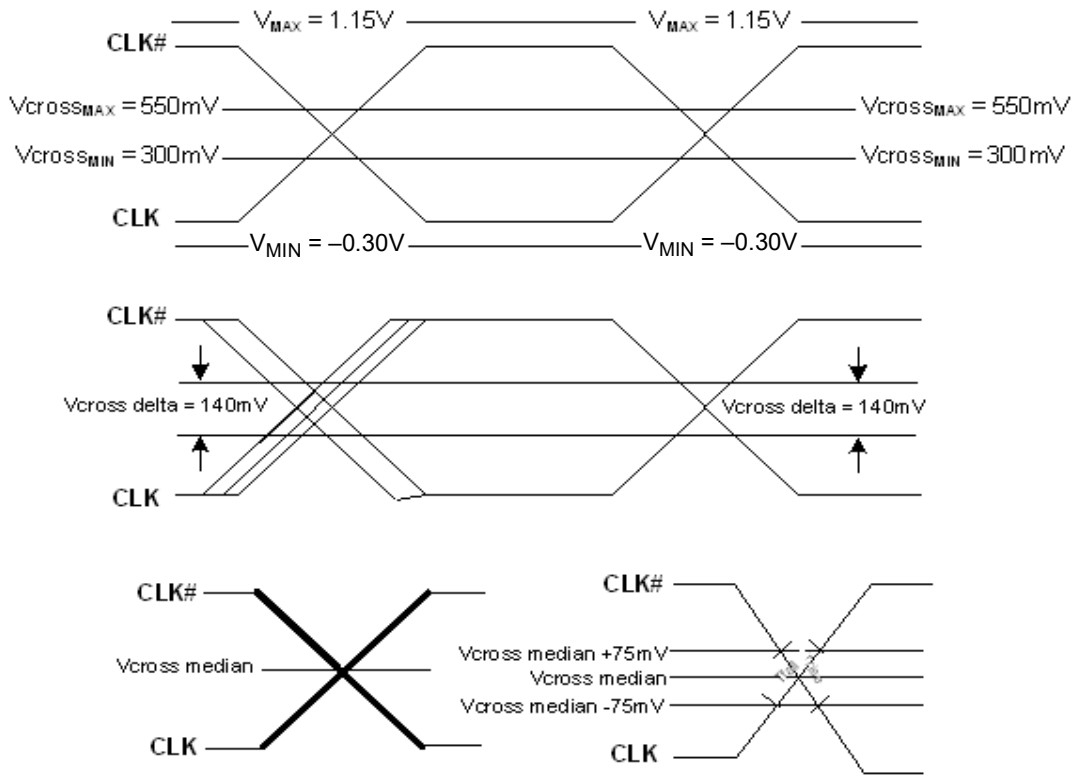


Figure 5. Single-ended Measurement for Differential Output Signals (for AC Parameters Measurement)

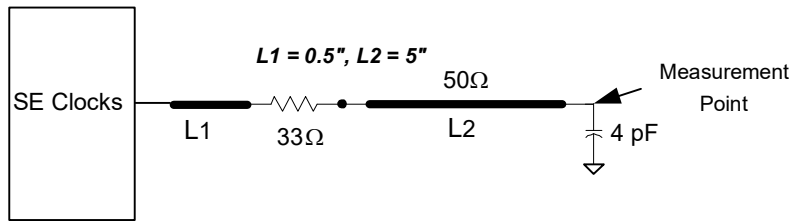


Figure 6. Single-ended Clocks with Single Load Configuration

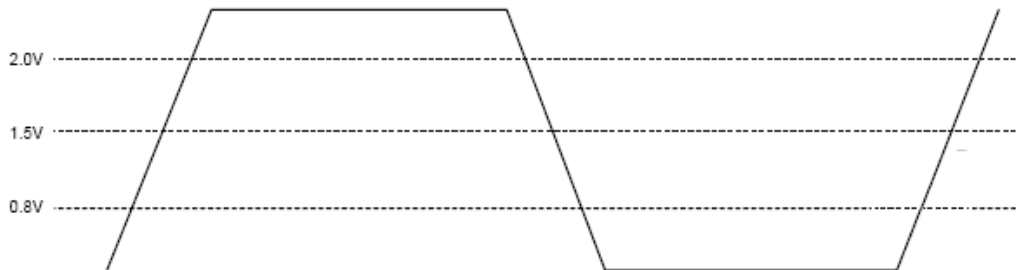


Figure 7. Single-ended Output Signal (for AC Parameter Measurement)

4. Control Registers

4.1. I²C Interface

To enhance the flexibility and function of the clock synthesizer, an I²C interface is provided. Through the I²C Interface, various device functions are available, such as individual clock enablement. The registers associated with the I²C Interface initialize to their default setting at power-up. The use of this interface is optional. Clock device register changes are normally made at system initialization, if any are required. Power management functions can only be programmed in program mode and not in normal operation modes.

4.2. Data Protocol

The clock driver I²C protocol accepts byte write, byte read, block write, and block read operations from the controller. For block write/read operation, access the bytes in sequential order from lowest to highest (most significant bit first) with the ability to stop after any complete byte is transferred. For byte write and byte read operations, the system controller can access individually indexed bytes.

The block write and block read protocol is outlined in Table 6 while Table 7 outlines byte write and byte read protocol. The slave receiver address is 11010110 (D6h).

Table 6. Block Read and Block Write Protocol

Block Write Protocol		Block Read Protocol	
Bit	Description	Bit	Description
1	Start	1	Start
8:2	Slave address—7 bits	8:2	Slave address—7 bits
9	Write	9	Write
10	Acknowledge from slave	10	Acknowledge from slave
18:11	Command Code—8 bits	18:11	Command Code—8 bits
19	Acknowledge from slave	19	Acknowledge from slave
27:20	Byte Count—8 bits	20	Repeat start
28	Acknowledge from slave	27:21	Slave address—7 bits
36:29	Data byte 1—8 bits	28	Read = 1
37	Acknowledge from slave	29	Acknowledge from slave
45:38	Data byte 2—8 bits	37:30	Byte Count from slave—8 bits
46	Acknowledge from slave	38	Acknowledge
....	Data Byte /Slave Acknowledges	46:39	Data byte 1 from slave—8 bits
....	Data Byte N—8 bits	47	Acknowledge
....	Acknowledge from slave	55:48	Data byte 2 from slave—8 bits
....	Stop	56	Acknowledge
		Data bytes from slave/Acknowledge
		Data Byte N from slave—8 bits
		NOT Acknowledge
		Stop

Table 7. Byte Read and Byte Write Protocol

Byte Write Protocol		Byte Read Protocol	
Bit	Description	Bit	Description
1	Start	1	Start
8:2	Slave address–7 bits	8:2	Slave address–7 bits
9	Write	9	Write
10	Acknowledge from slave	10	Acknowledge from slave
18:11	Command Code–8 bits	18:11	Command Code–8 bits
19	Acknowledge from slave	19	Acknowledge from slave
27:20	Data byte–8 bits	20	Repeated start
28	Acknowledge from slave	27:21	Slave address–7 bits
29	Stop	28	Read
		29	Acknowledge from slave
		37:30	Data from slave–8 bits
		38	NOT Acknowledge
		39	Stop

Control Register 0. Byte 0

Bit	D7	D6	D5	D4	D3	D2	D1	D0
Name						REF_OE		
Type	R/W	R/W	R/W	R/W	R/W	R/W	R/W	R/W

Reset settings = 00000100

Bit	Name	Function
7:3	Reserved	
2	REF_OE	Output Enable for REF. 0: Output disabled. 1: Output enabled.
1:0	Reserved	

Register 1. Byte 1

Bit	D7	D6	D5	D4	D3	D2	D1	D0
Name								
Type	R/W	R/W	R/W	R/W	R/W	R/W	R/W	R/W

Reset settings = 00000000

Bit	Name	Function
7:0	Reserved	

Si52142xx

Register 2. Byte 2

Bit	D7	D6	D5	D4	D3	D2	D1	D0
Name	DIFF0_OE	DIFF1_OE						
Type	R/W	R/W	R/W	R/W	R/W	R/W	R/W	R/W

Reset settings = 11000000

Bit	Name	Function
7	DIFF0_OE	Output Enable for DIFF0. 0: Output disabled. 1: Output enabled.
6	DIFF1_OE	Output Enable for DIFF1. 0: Output disabled. 1: Output enabled.
5:0	Reserved	

Register 3. Byte 3

Bit	D7	D6	D5	D4	D3	D2	D1	D0
Name	Rev Code[3:0]				Vendor ID[3:0]			
Type	R/W	R/W	R/W	R/W	R/W	R/W	R/W	R/W

Reset settings = 00001000

Bit	Name	Function
7:4	Rev Code[3:0]	Program Revision Code.
3:0	Vendor ID[3:0]	Vendor Identification Code.

Register 4. Byte 4

Bit	D7	D6	D5	D4	D3	D2	D1	D0
Name	BC[7:0]							
Type	R/W	R/W	R/W	R/W	R/W	R/W	R/W	R/W

Reset settings = 00000110

Bit	Name	Function
7:0	BC[7:0]	Byte Count Register.

Register 5. Byte 5

Bit	D7	D6	D5	D4	D3	D2	D1	D0
Name	DIFF_Amp_Sel	DIFF_Amp_Cntl[2]	DIFF_Amp_Cntl[1]	DIFF_Amp_Cntl[0]				
Type	R/W	R/W	R/W	R/W	R/W	R/W	R/W	R/W

Reset settings = 11011000

Bit	Name	Function
7	DIFF_Amp_Sel	Amplitude Control for DIFF Differential Outputs. 0: Differential outputs with Default amplitude. 1: Differential outputs amplitude is set by Byte 5[6:4].
6	DIFF_Amp_Cntl[2]	DIFF Differential Outputs Amplitude Adjustment. 000: 300 mV 001: 400 mV 010: 500 mV 011: 600 mV 100: 700 mV 101: 800 mV 110: 900 mV 111: 1000 mV
5	DIFF_Amp_Cntl[1]	
4	DIFF_Amp_Cntl[0]	
3:0	Reserved	

Si52142xx

5. Pin Descriptions: 24-Pin QFN

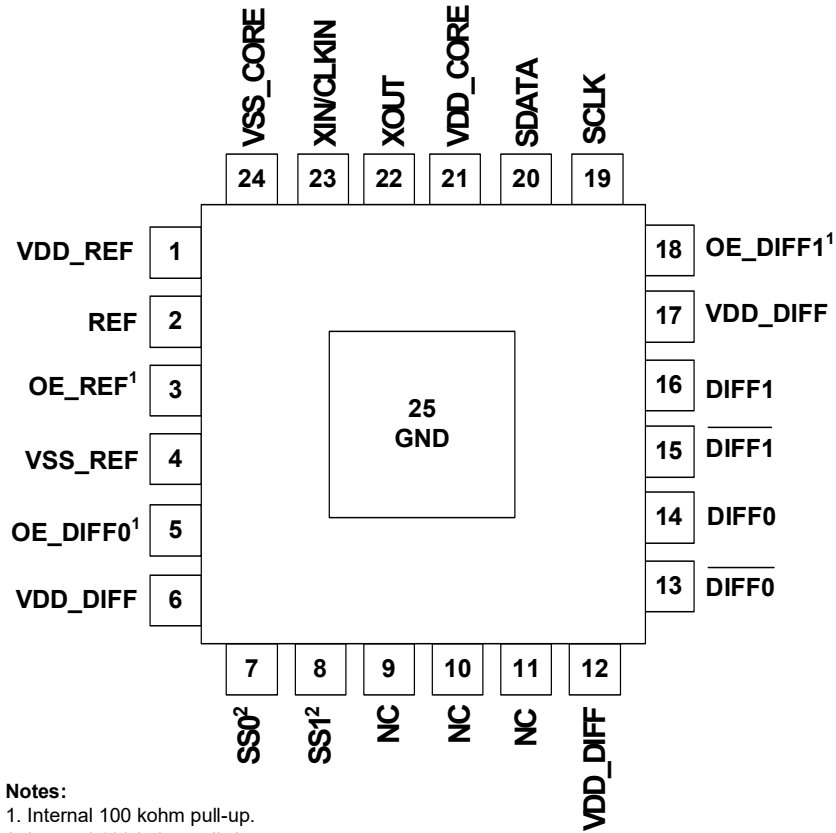


Table 8. Si52142 24-Pin QFN Descriptions

Pin #	Name	Type	Description
1	VDD_REF	PWR	3.3 V power supply.
2	REF	O, SE	3.3 V, 25 MHz crystal reference clock output.
3	OE_REF	I,PU	Active high input pin to enable or disable REF clock (internal 100 kΩ pull-up).
4	VSS_REF	GND	Ground.
5	OE_DIFF0	I,PU	Active high input pin to enable or disable DIFF0 clock (internal 100 kΩ pull-up).
6	VDD_DIFF	PWR	3.3 V power supply.
7	SS0	I, PD	3.3 V tolerant latch-input for enabling Frequency/ Spread selection on DIFF0 and DIFF1 outputs. Refer to Table 1 on page 4 for SS[1:0] specifications (internal 100 kΩ pull-down).
8	SS1	I, PD	
9	NC	NC	No Connect.
10	NC	NC	No connect.

Table 8. Si52142 24-Pin QFN Descriptions (Continued)

Pin #	Name	Type	Description
11	NC	NC	No connect.
12	VDD_DIFF	PWR	3.3 V power supply.
13	$\overline{\text{DIFF0}}$	O, DIF	0.7 V, 100 MHz differential clock output.
14	DIFF0	O, DIF	0.7 V, 100 MHz differential clock output.
15	$\overline{\text{DIFF1}}$	O, DIF	0.7 V, 100 MHz differential clock output.
16	DIFF1	O, DIF	0.7 V, 100 MHz differential clock output.
17	VDD_DIFF	PWR	3.3 V power supply.
18	OE_DIFF1	I,PU	Active high input pin to enable or disable DIFF1 clock (internal 100 k Ω pull-up).
19	SCLK	I	I ² C SCLOCK.
20	SDATA	I/O	I ² C SDATA.
21	VDD_CORE	PWR	3.3 V power supply.
22	XOUT	O	25.00 MHz Crystal output, Float XOUT if using only CLKIN (Clock input).
23	XIN/CLKIN	I	25.00 MHz Crystal input or 3.3 V, 25 MHz Clock Input.
24	VSS_CORE	GND	Ground.
25	GND	GND	Ground for bottom pad of the IC.

Si52142xx

6. Ordering Guide

Part Number	Package Type	Temperature
Lead-free		
Si52142-A01AGM	24-pin QFN	Industrial, –40 to 85 °C
Si52142-A01AGMR	24-pin QFN—Tape and Reel	Industrial, –40 to 85 °C

7. Package Outline

Figure 8 illustrates the package details for the Si52142. Table 9 lists the values for the dimensions shown in the illustration.

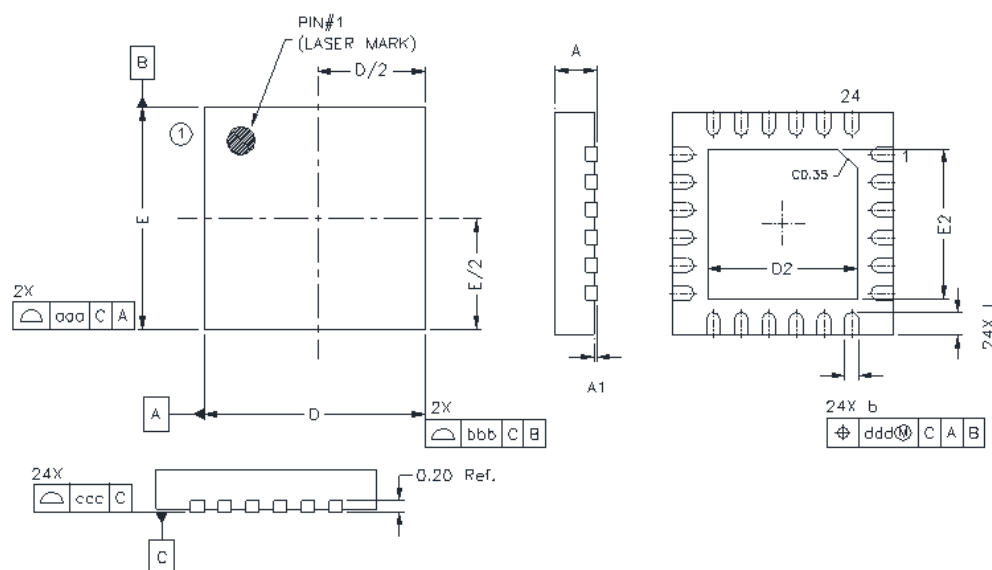


Figure 8. 24-Pin Quad Flat No Lead (QFN) Package

Table 9. Package Diagram Dimensions

Symbol	Millimeters		
	Min	Nom	Max
A	0.70	0.75	0.80
A1	0.00	0.025	0.05
b	0.20	0.25	0.30
D	4.00 BSC		
D2	2.60	2.70	2.80
e	0.50 BSC		
E	4.00 BSC		
E2	2.60	2.70	2.80
L	0.30	0.40	0.50
aaa	0.10		
bbb	0.10		
ccc	0.08		
ddd	0.07		

Notes:

- All dimensions shown are in millimeters (mm) unless otherwise noted.
- Dimensioning and Tolerancing per ANSI Y14.5M-1994.
- This drawing conforms to JEDEC outline MO-220, variation VGGD-8.
- Recommended card reflow profile is per the JEDEC/IPC J-STD-020 specification for Small Body Components.

8. Land Pattern

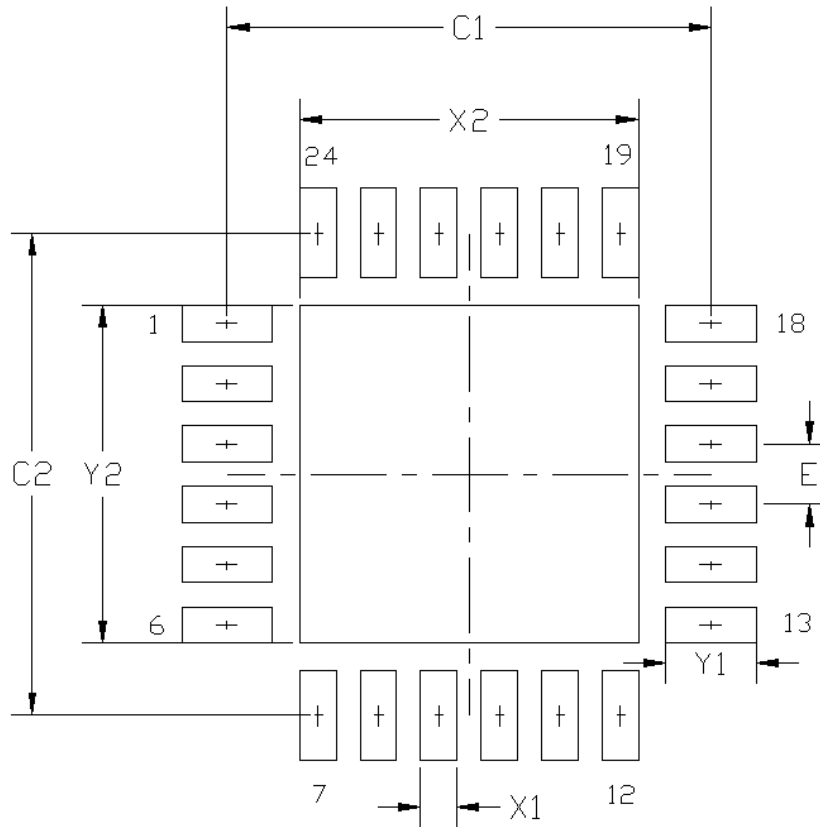


Figure 9. QFN Land Pattern

Table 10. Land Pattern Dimensions

Dimension	Unit mm
C1	4.0
C2	4.0
E	0.50 BSC
X1	0.30
X2	2.70
Y1	0.80

Table 10. Land Pattern Dimensions (Continued)

Y2	2.70
<p>Notes:</p> <p>General</p> <ol style="list-style-type: none"> 1. All dimensions shown are in millimeters (mm) unless otherwise noted. 2. This land pattern design is based on the IPC-7351 guidelines. <p>Solder Mask Design</p> <ol style="list-style-type: none"> 3. All metal pads are to be non-solder mask defined (NSMD). Clearance between the solder mask and the metal pad is to be 60 μm minimum, all the way around the pad. <p>Stencil Design</p> <ol style="list-style-type: none"> 4. A stainless steel, laser-cut and electro-polished stencil with trapezoidal walls should be used to assure good solder paste release. 5. The stencil thickness should be 0.125 mm (5 mils). 6. The ratio of stencil aperture to land pad size should be 1:1 for all perimeter 7. pads. 8. A 2x2 array of 1.10 mm x 1.10 mm openings on 1.30mm pitch should be used for the center ground pad. <p>Card Assembly</p> <ol style="list-style-type: none"> 9. A No-Clean, Type-3 solder paste is recommended. 10. The recommended card reflow profile is per the JEDEC/IPC J-STD-020 specification for Small Body Components. 	

DOCUMENT CHANGE LIST

Revision 0.1 to Revision 1.0

- Updated Features on page 1.
- Updated Description on page 1.
- Updated Table 1 on page 4.
- Updated Table 2 on page 5.
- Updated Section 2.1 on page 7.
- Updated Section 2.1.1 on page 7.
- Updated Section 4.1 on page 11.
- Updated Section 4.2 on page 11.
- Updated Pin Descriptions on page 16.

Revision 1.0 to Revision 1.1

- Removed Moisture Sensitivity Level specification from Table 3.

Revision 1.1 to Revision 1.2

- Updated Table 2.
- Updated Section 3.

Revision 1.2 to Revision 1.3

- Updated Features on page 1.
- Updated Description on page 1.
- Updated Table 2, "AC Electrical Specifications," on page 4.

Revision 1.3 to Revision 1.4

- Added test condition for Tstable in Table 2.



SKYWORKS®

ClockBuilder Pro

Customize Skyworks clock generators, jitter attenuators and network synchronizers with a single tool. With CBPro you can control evaluation boards, access documentation, request a custom part number, export for in-system programming and more!

www.skyworksinc.com/CBPro



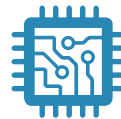
Portfolio

www.skyworksinc.com/ia/timing



SW/HW

www.skyworksinc.com/CBPro



Quality

www.skyworksinc.com/quality



Support & Resources

www.skyworksinc.com/support

Copyright © 2021 Skyworks Solutions, Inc. All Rights Reserved.

Information in this document is provided in connection with Skyworks Solutions, Inc. ("Skyworks") products or services. These materials, including the information contained herein, are provided by Skyworks as a service to its customers and may be used for informational purposes only by the customer. Skyworks assumes no responsibility for errors or omissions in these materials or the information contained herein. Skyworks may change its documentation, products, services, specifications or product descriptions at any time, without notice. Skyworks makes no commitment to update the materials or information and shall have no responsibility whatsoever for conflicts, incompatibilities, or other difficulties arising from any future changes.

No license, whether express, implied, by estoppel or otherwise, is granted to any intellectual property rights by this document. Skyworks assumes no liability for any materials, products or information provided hereunder, including the sale, distribution, reproduction or use of Skyworks products, information or materials, except as may be provided in Skyworks' Terms and Conditions of Sale.

THE MATERIALS, PRODUCTS AND INFORMATION ARE PROVIDED "AS IS" WITHOUT WARRANTY OF ANY KIND, WHETHER EXPRESS, IMPLIED, STATUTORY, OR OTHERWISE, INCLUDING FITNESS FOR A PARTICULAR PURPOSE OR USE, MERCHANTABILITY, PERFORMANCE, QUALITY OR NON-INFRINGEMENT OF ANY INTELLECTUAL PROPERTY RIGHT; ALL SUCH WARRANTIES ARE HEREBY EXPRESSLY DISCLAIMED. SKYWORKS DOES NOT WARRANT THE ACCURACY OR COMPLETENESS OF THE INFORMATION, TEXT, GRAPHICS OR OTHER ITEMS CONTAINED WITHIN THESE MATERIALS. SKYWORKS SHALL NOT BE LIABLE FOR ANY DAMAGES, INCLUDING BUT NOT LIMITED TO ANY SPECIAL, INDIRECT, INCIDENTAL, STATUTORY, OR CONSEQUENTIAL DAMAGES, INCLUDING WITHOUT LIMITATION, LOST REVENUES OR LOST PROFITS THAT MAY RESULT FROM THE USE OF THE MATERIALS OR INFORMATION, WHETHER OR NOT THE RECIPIENT OF MATERIALS HAS BEEN ADVISED OF THE POSSIBILITY OF SUCH DAMAGE.

Skyworks products are not intended for use in medical, lifesaving or life-sustaining applications, or other equipment in which the failure of the Skyworks products could lead to personal injury, death, physical or environmental damage. Skyworks customers using or selling Skyworks products for use in such applications do so at their own risk and agree to fully indemnify Skyworks for any damages resulting from such improper use or sale.

Customers are responsible for their products and applications using Skyworks products, which may deviate from published specifications as a result of design defects, errors, or operation of products outside of published parameters or design specifications. Customers should include design and operating safeguards to minimize these and other risks. Skyworks assumes no liability for applications assistance, customer product design, or damage to any equipment resulting from the use of Skyworks products outside of Skyworks' published specifications or parameters.

Skyworks, the Skyworks symbol, Sky5®, SkyOne®, SkyBlue™, Skyworks Green™, Clockbuilder®, DSPLL®, ISOModem®, ProSLIC®, and SiPHY® are trademarks or registered trademarks of Skyworks Solutions, Inc. or its subsidiaries in the United States and other countries. Third-party brands and names are for identification purposes only and are the property of their respective owners. Additional information, including relevant terms and conditions, posted at www.skyworksinc.com, are incorporated by reference.

Looking for pricing, stock, or lifecycle information?

Click below to explore more details on WIN SOURCE:

- ⊖ [View SI52142-A01AGMR on WIN SOURCE](#)
- ⊖ [Skyworks Solutions Inc. Information](#)

Optimize Your Supply Chain with WIN SOURCE Solutions

- ✓ Global Sourcing Solution
- ✓ Obsolete Management
- ✓ Cost Control Management
- ✓ Shortage Management
- ✓ Alternative Solution
- ✓ Excess Inventory Management