



**THE DATASHEET OF  
SI5395P-A10049-GMR**



# Si5395/94/92 Data Sheet

## 12-Channel, Any-Frequency, Any-Output Jitter Attenuator/Clock Multiplier with Ultra-Low Jitter

The Si5395/94/92 Jitter attenuators combine fourth-generation DSPLL™ and MultiSynth™ technologies to deliver ultra-low jitter (69 fs) for high performance applications like 56G SerDes. They are used in applications that demand the highest level of integration and jitter performance. All PLL components are integrated on-chip, eliminating the risk of noise coupling associated with discrete solutions. Device grades J/K/L/M/E have an integrated reference to save board space, improve system reliability and reduces the effect of acoustic emissions noise caused by temperature ramps. Grades A/B/C/D/P use an external crystal (XTAL) or crystal oscillator (XO) reference.

The Si5395/94/92 support free-run, synchronous and holdover modes as well as enhanced hitless switching, minimizing the phase transients associated when switching between input clocks. These devices are programmable via a serial interface with in-circuit programmable non-volatile memory (NVM) so they always power up with a known frequency configuration. Programming the Si5395/94/92 is easy with Skyworks' ClockBuilder™ Pro software. Factory preprogrammed devices are also available.

For more information, visit <https://www.skyworksinc.com/en/Products/Timing> page.

### Applications:

- 56G/112G PAM4 SerDes clocking
- OTN muxponders and transponders
- 10/40/100/200/400G networking line cards
- 10/40/100/400 GbE Synchronous Ethernet (ITU-T G.8262)
- Medical imaging
- Test and measurement

### KEY FEATURES

- Generates any combination of output frequencies from any input frequency
- Ultra low phase jitter:
  - 69 fs RMS (Grade P)
  - 71 fs RMS (Grade E)
  - 85 fs RMS (integer mode)
  - 100 fs RMS (fractional mode)
- Enhanced hitless switching minimizes output phase transients (0.2 ns typ)
- Input frequency range
  - Differential: 8 kHz to 750 MHz
  - LVCMOS: 8 kHz to 250 MHz
- Output frequency range
  - Differential: 100 Hz to 1028 MHz
  - LVCMOS: 100 Hz to 250 MHz
- Meets G.8262, E.8262.1 EEC Standards
- Status monitoring
- Si5395: 4 input, 12 output (64-QFN/LGA)
- Si5394: 4 input, 4 output (44-QFN/LGA)
- Si5392: 4 input, 2 output (44-QFN/LGA)
- External reference: Grades A/B/C/D/P
- Integrated reference: Grades J/K/L/M/E
- Drop-in compatible with Si5345/44/42



\*Only for Si539x J/K/L/M/E grades. Si539x A/B/C/D/P grades have external reference (XTAL or XO)

## 1. Features List

The Si5395/94/92 features are listed below:

- Generates any output frequency in any format from any input frequency
- External XTAL or XO reference (A/B/C/D/P)
- Integrated reference (J/K/L/M/E)
- Ultra-low phase jitter of 69 fs (P-Grade)
- Dynamic phase adjust
- Input frequency range
  - Differential: 8 kHz–750 MHz
  - LVCMOS: 8 kHz–250 MHz
- Output frequency range
  - Differential: 100 Hz to 1028 MHz
  - LVCMOS: 100 Hz to 250 MHz
- Programmable jitter attenuation bandwidth: 0.1 Hz to 4 kHz
- Meets requirements of:
  - ITU-T G.8262 (SyncE) EEC Options 1 and 2
  - ITU-T G.8262.1 (Enhanced SyncE) eEEC
- Highly configurable outputs compatible with LVDS, LVPECL, LVCMOS, CML, and HCSL with programmable signal amplitude
- Status monitoring (LOS, OOF, LOL)
- Enhanced hitless switching for 8 kHz, 19.44 MHz, 25 MHz inputs and other frequencies
- Locks to gapped clock inputs
- Free-run and holdover modes
- Drop-in compatible with Si5345/44/42
- Optional zero delay mode
- Fast-lock acquisition for low nominal bandwidths
- Independent Frequency-on-the fly for each MultiSynth
- DCO mode: as low as 0.001 ppb step size
- Core voltage
  - $V_{DD}$ : 1.8 V  $\pm$ 5%
  - $V_{DDA}$ : 3.3 V  $\pm$ 5%
- Independent output clock supply pins
  - 3.3 V, 2.5 V, or 1.8 V
- Serial interface: I<sup>2</sup>C or SPI
- In-circuit programmable with non-volatile OTP memory
- ClockBuilder Pro software simplifies device configuration
- Si5395: 4 input, 12 output
  - Grade A/B/C/D/P: 64-QFN 9×9 mm
  - Grade J/K/L/M/E: 64-LGA 9×9 mm
- Si5394: 4 input, 4 output
  - Grade A/B/C/D/P: 44-QFN 7×7 mm
  - Grade J/K/L/M/E: 44-LGA 7×7 mm
- Si5392: 4 input, 2 output
  - Grade A/B/C/D/P: 44-QFN 7×7 mm
  - Grade J/K/L/M/E: 44-LGA 7×7 mm
- Temperature range: –40 to +85 °C
- Pb-free, RoHS-6 compliant

## 2. Related Documents

**Table 2.1. Related Documentation and Software**

| Document/Resource   | Description/URL   |
|---|---|
| Si5395/94/92 Family Reference Manual  | <a href="https://www.skyworksinc.com/-/media/Skyworks/SL/documents/public/reference-manuals/si5395-94-92-family.pdf">https://www.skyworksinc.com/-/media/Skyworks/SL/documents/public/reference-manuals/si5395-94-92-family.pdf</a>   |
| Crystal Reference Manual (Grades A/B/C/D/P only)                                  | <a href="https://www.skyworksinc.com/-/media/Skyworks/SL/documents/public/reference-manuals/si534x-8x-9x-recommended-crystals-rm.pdf">https://www.skyworksinc.com/-/media/Skyworks/SL/documents/public/reference-manuals/si534x-8x-9x-recommended-crystals-rm.pdf</a>               |
| UG387: Si5392 Evaluation Board User's Guide                                       | <a href="https://www.skyworksinc.com/-/media/Skyworks/SL/documents/public/user-guides/ug387-si5392-evb.pdf">https://www.skyworksinc.com/-/media/Skyworks/SL/documents/public/user-guides/ug387-si5392-evb.pdf</a>   |
| UG334: Si5394 Evaluation Board User's Guide                                       | <a href="https://www.skyworksinc.com/-/media/Skyworks/SL/documents/public/user-guides/ug334-si5394evb.pdf">https://www.skyworksinc.com/-/media/Skyworks/SL/documents/public/user-guides/ug334-si5394evb.pdf</a>   |
| UG335: Si5395 Evaluation Board User's Guide                                       | <a href="https://www.skyworksinc.com/-/media/Skyworks/SL/documents/public/user-guides/ug335-si5395evb.pdf">https://www.skyworksinc.com/-/media/Skyworks/SL/documents/public/user-guides/ug335-si5395evb.pdf</a>   |
| AN1151: Using the Si539x in 56G SerDes Applications                               | <a href="https://www.skyworksinc.com/-/media/Skyworks/SL/documents/public/application-notes/an1151-using-si539x.pdf">https://www.skyworksinc.com/-/media/Skyworks/SL/documents/public/application-notes/an1151-using-si539x.pdf</a>   |
| AN1155: Differences between Si5342-47 and Si5392-97                               | <a href="https://www.skyworksinc.com/-/media/Skyworks/SL/documents/public/application-notes/an1151-using-si539x.pdf">https://www.skyworksinc.com/-/media/Skyworks/SL/documents/public/application-notes/an1151-using-si539x.pdf</a>   |
| AN1178: Frequency-On-the-Fly for Skyworks Jitter Attenuators and Clock Generators | <a href="https://www.skyworksinc.com/-/media/Skyworks/SL/documents/public/application-notes/an1178-frequency-off-jitter-atten-clock-gen.pdf">https://www.skyworksinc.com/-/media/Skyworks/SL/documents/public/application-notes/an1178-frequency-off-jitter-atten-clock-gen.pdf</a> |
| Quality and Reliability   | <a href="https://www.skyworksinc.com/Quality">https://www.skyworksinc.com/Quality</a>   |
| Development Kits  | <a href="https://www.skyworksinc.com/en/Products/Timing">https://www.skyworksinc.com/en/Products/Timing</a>   |
| ClockBuilder Pro (CBPro) Software   | <a href="https://www.skyworksinc.com/en/Application-Pages/Clockbuilder-Pro-Software">https://www.skyworksinc.com/en/Application-Pages/Clockbuilder-Pro-Software</a>   |

### 3. Ordering Guide

**Table 3.1. Si5395/94/92 A/B/C/D/P Ordering Guide (External Reference)**

| Ordering Part Number (OPN)  | Number of Input/Output Clocks | Output Clock Frequency Range (MHz)                | Supported Frequency Synthesis Modes | Package          | Reference |
|---|-------------------------------|---|-------------------------------------|------------------|-----------|
| <b>Si5395</b>   |                               |   |                                     |                  |           |
| Si5395A-A-GM <sup>1, 2</sup>  | 4/12                          | 0.0001 to 1028 MHz                                | Integer and Fractional              | 64-QFN<br>9×9 mm | External  |
| Si5395B-A-GM <sup>1, 2</sup>  |                               | 0.0001 to 350 MHz                                 |                                     |                  |           |
| Si5395C-A-GM <sup>1, 2</sup>  |                               | 0.0001 to 1028 MHz                                | Integer Only                        |                  |           |
| Si5395D-A-GM <sup>1, 2</sup>  |                               | 0.0001 to 350 MHz                                 |                                     |                  |           |
| Si5395P-A-GM <sup>1, 2</sup>  |                               | Up to 3 domains<br>(Section 4.9.2 Grades P and E) | Precision Calibration               |                  |           |
| <b>Si5394</b>   |                               |   |                                     |                  |           |
| Si5394A-A-GM <sup>1, 2</sup>  | 4/4                           | 0.0001 to 1028 MHz                                | Integer and Fractional              | 44-QFN<br>7×7 mm | External  |
| Si5394B-A-GM <sup>1, 2</sup>  |                               | 0.0001 to 350 MHz                                 |                                     |                  |           |
| Si5394C-A-GM <sup>1, 2</sup>  |                               | 0.0001 to 1028 MHz                                | Integer Only                        |                  |           |
| Si5394D-A-GM <sup>1, 2</sup>  |                               | 0.0001 to 350 MHz                                 |                                     |                  |           |
| Si5394P-A-GM <sup>1, 2</sup>  |                               | Up to 2 domains<br>(Section 4.9.2 Grades P and E) | Precision Calibration               |                  |           |
| <b>Si5392</b>   |                               |   |                                     |                  |           |
| Si5392A-A-GM <sup>1, 2</sup>  | 4/2                           | 0.0001 to 1028 MHz                                | Integer and Fractional              | 44-QFN<br>7×7 mm | External  |
| Si5392B-A-GM <sup>1, 2</sup>  |                               | 0.0001 to 350 MHz                                 |                                     |                  |           |
| Si5392C-A-GM <sup>1, 2</sup>  |                               | 0.0001 to 1028 MHz                                | Integer Only                        |                  |           |
| Si5392D-A-GM <sup>1, 2</sup>  |                               | 0.0001 to 350 MHz                                 |                                     |                  |           |
| Si5392P-A-GM <sup>1, 2</sup>  |                               | 1 domain<br>(Section 4.9.2 Grades P and E)        | Precision Calibration               |                  |           |
| <b>Si5395/94/92 Evaluation Board</b>  |                               |   |                                     |                  |           |
| Si5395A-A-EVB   | 12-output                     | Any-frequency, any Output                         | —                                   | 64-QFN<br>EVB    | —         |
| Si5395P-A-EVB   | 12-output                     | Low jitter clocks for 56G PAM4 SerDes             | —                                   | 64-QFN<br>EVB    | —         |
| Si5394A-A-EVB   | 4-output                      | Any-frequency, any Output                         | —                                   | 44-QFN<br>EVB    | —         |
| Si5394P-A-EVB   | 4-output                      | Low jitter clocks for 56G PAM4 SerDes             | —                                   | 44-QFN<br>EVB    | —         |
| <b>Notes:</b>   |                               |   |                                     |                  |           |
| 1. Add an R at the end of the OPN to denote tape and reel ordering options.   |                               |   |                                     |                  |           |
| 2. Custom, factory preprogrammed devices are available. Ordering part numbers are assigned by Skyworks and the ClockBuilder Pro software utility. Custom part number format is “Si5395A-Axxxxx-GM” where “xxxxx” is a unique numerical sequence representing the preprogrammed configuration. |                               |   |                                     |                  |           |

**Table 3.2. Si5395/4/2 J/K/L/M/E Ordering guide (Integrated Reference)**

| Ordering Part Number (OPN)           | Number of Input/Output Clocks | Output Clock Frequency Range (MHz)                | Supported Frequency Synthesis Modes | Package          | Reference |
|--------------------------------------|-------------------------------|---|-------------------------------------|------------------|-----------|
| <b>Si5395</b>                        |                               |   |                                     |                  |           |
| Si5395J-A-GM <sup>1, 2</sup>         | 4/12                          | 0.0001 to 1028 MHz                                | Integer and Fractional              | 64-LGA<br>9×9 mm | Internal  |
| Si5395K-A-GM <sup>1, 2</sup>         |                               | 0.0001 to 350 MHz                                 |                                     |                  |           |
| Si5395L-A-GM <sup>1, 2</sup>         |                               | 0.0001 to 1028 MHz                                | Integer Only                        |                  |           |
| Si5395M-A-GM <sup>1, 2</sup>         |                               | 0.0001 to 350 MHz                                 |                                     |                  |           |
| Si5395E-A-GM <sup>1, 2</sup>         |                               | Up to 3 domains<br>(Section 4.9.2 Grades P and E) | Precision Calibration               |                  |           |
| <b>Si5394</b>                        |                               |   |                                     |                  |           |
| Si5394J-A-GM <sup>1, 2</sup>         | 4/4                           | 0.0001 to 1028 MHz                                | Integer and Fractional              | 44-LGA<br>7×7 mm | Internal  |
| Si5394K-A-GM <sup>1, 2</sup>         |                               | 0.0001 to 350 MHz                                 |                                     |                  |           |
| Si5394L-A-GM <sup>1, 2</sup>         |                               | 0.0001 to 1028 MHz                                | Integer Only                        |                  |           |
| Si5394M-A-GM <sup>1, 2</sup>         |                               | 0.0001 to 350 MHz                                 |                                     |                  |           |
| Si5394E-A-GM <sup>1, 2</sup>         |                               | Up to 2 domains<br>(Section 4.9.2 Grades P and E) | Precision Calibration               |                  |           |
| <b>Si5392</b>                        |                               |   |                                     |                  |           |
| Si5392J-A-GM <sup>1, 2</sup>         | 4/2                           | 0.0001 to 1028 MHz                                | Integer and Fractional              | 44-LGA<br>7×7 mm | Internal  |
| Si5392K-A-GM <sup>1, 2</sup>         |                               | 0.0001 to 350 MHz                                 |                                     |                  |           |
| Si5392L-A-GM <sup>1, 2</sup>         |                               | 0.0001 to 1028 MHz                                | Integer Only                        |                  |           |
| Si5392M-A-GM <sup>1, 2</sup>         |                               | 0.0001 to 350 MHz                                 |                                     |                  |           |
| Si5392E-A-GM <sup>1, 2</sup>         |                               | 1 domain<br>(Section 4.9.2 Grades P and E)        | Precision Calibration               |                  |           |
| <b>Si5395/94/92 Evaluation Board</b> |                               |   |                                     |                  |           |
| Si5395J-A-EVB                        | 12-output                     | Any-frequency, any Output                         | —                                   | 64-LGA<br>EVB    | —         |
| Si5395E-A-EVB                        | 12-output                     | Low jitter clocks for 56G PAM4 SerDes             | —                                   | 64-LGA<br>EVB    | —         |
| Si5394J-A-EVB                        | 4-output                      | Any-frequency, any Output                         | —                                   | 44-LGA<br>EVB    | —         |
| Si5394E-A-EVB                        | 4-output                      | Low jitter clocks for 56G PAM4 SerDes             | —                                   | 44-LGA<br>EVB    | —         |
| Si5392J-A-EVB                        | 2-output                      | Any-frequency, any Output                         | —                                   | 44-LGA<br>EVB    | —         |
| Si5392E-A-EVB                        | 2-output                      | Low jitter clocks for 56G PAM4 SerDes             | —                                   | 44-LGA<br>EVB    | —         |

| Ordering Part Number (OPN) | Number of Input/Output Clocks | Output Clock Frequency Range (MHz) | Supported Frequency Synthesis Modes | Package | Reference |
|----------------------------|-------------------------------|------------------------------------|-------------------------------------|---------|-----------|
|----------------------------|-------------------------------|------------------------------------|-------------------------------------|---------|-----------|

**Notes:**

1. Add an R at the end of the OPN to denote tape and reel ordering options.
2. Custom, factory preprogrammed devices are available. Ordering part numbers are assigned by Skyworks and the ClockBuilder Pro software utility. Custom part number format is "Si5395J-Axxxxx-GM" where "xxxxx" is a unique numerical sequence representing the preprogrammed configuration.



\*See Ordering Guide table for current product revision.

\*\* (Optional) 5 digits; assigned by ClockBuilder Pro for Custom, factory-preprogrammed OPN devices only; (The "xxxxx" field is not included for "Base" OPNs).

**Figure 3.1. Ordering Part Number Fields**

# Table of Contents

|   |          |
|---|----------|
| <b>1. Features List</b>   | <b>2</b> |
| <b>2. Related Documents</b>   | <b>3</b> |
| <b>3. Ordering Guide</b>  | <b>4</b> |
| <b>4. Functional Description</b>  | <b>9</b> |
| 4.1 Frequency Configuration   | 9        |
| 4.2 DSPLL Loop Bandwidth  | 9        |
| 4.3 Fastlock Feature  | 9        |
| 4.4 Modes of Operation  | 9        |
| 4.4.1 Initialization and Reset  | 10       |
| 4.4.2 Freerun Mode  | 10       |
| 4.4.3 Lock Acquisition Mode   | 10       |
| 4.4.4 Locked Mode   | 10       |
| 4.4.5 Holdover Mode   | 11       |
| 4.4.6 Frequency-on-the-Fly (FOTF)   | 11       |
| 4.5 Digitally Controlled Oscillator (DCO) Mode (Grade A/B/C/D and J/K/L/M)  | 11       |
| 4.6 External Reference (Grade A/B/C/D/P Only)                               | 12       |
| 4.7 Inputs (IN0, IN1, IN2, IN3)   | 12       |
| 4.7.1 Manual Input Selection (IN0, IN1, IN2, IN3)                           | 13       |
| 4.7.2 Automatic Input Selection (IN0, IN1, IN2, IN3)                        | 13       |
| 4.7.3 Hitless Input Switching   | 14       |
| 4.7.4 Frequency Ramped Input Switching                                      | 15       |
| 4.7.5 Glitchless Input Switching  | 15       |
| 4.7.6 Synchronizing to Gapped Input Clocks (Grade A/B/C/D and J/K/L/M Only) | 16       |
| 4.8 Fault Monitoring  | 16       |
| 4.8.1 Input LOS Detection   | 17       |
| 4.8.2 XA/XB LOS Detection   | 17       |
| 4.8.3 OOF Detection   | 17       |
| 4.8.4 LOL Detection   | 18       |
| 4.8.5 Interrupt Pin (INTRb)   | 19       |
| 4.9 Outputs   | 19       |
| 4.9.1 Grade A/B/C/D and J/K/L/M   | 19       |
| 4.9.2 Grades P and E  | 20       |
| 4.9.3 Output Crosspoint   | 21       |
| 4.9.4 Output Signal Format  | 21       |
| 4.9.5 Programmable Common Mode Voltage For Differential Outputs             | 21       |
| 4.9.6 LVCMOS Output Impedance Selection                                     | 21       |
| 4.9.7 LVCMOS Output Signal Swing  | 21       |
| 4.9.8 LVCMOS Output Polarity  | 21       |
| 4.9.9 Output Enable/Disable   | 21       |
| 4.9.10 Output Driver State When Disabled                                    | 22       |
| 4.9.11 Synchronous Output Disable Feature                                   | 22       |
| 4.9.12 Input/Output Skew Control  | 22       |

|   |           |
|---|-----------|
| 4.9.13 Zero Delay Mode (Grades A/B/C/D and J/K/L/M ) . . . . .                                | .22       |
| 4.9.14 Output Divider (R) Synchronization . . . . .   | .23       |
| 4.10 Power Management . . . . .   | .23       |
| 4.11 In-Circuit Programming . . . . .   | .23       |
| 4.12 Serial Interface . . . . .   | .23       |
| 4.13 Custom Factory Preprogrammed Parts . . . . .   | .23       |
| 4.14 Register Map . . . . .   | .23       |
| <b>5. Electrical Specifications . . . . .</b>   | <b>24</b> |
| <b>6. Typical Application Schematic . . . . .</b>   | <b>42</b> |
| <b>7. Detailed Block Diagrams . . . . .</b>   | <b>43</b> |
| <b>8. Typical Operating Characteristics . . . . .</b>   | <b>44</b> |
| <b>9. Pin Descriptions . . . . .</b>  | <b>46</b> |
| <b>10. Package Outlines . . . . .</b>   | <b>52</b> |
| 10.1 Si5395 A/B/C/D/P (External Reference) 9x9 mm 64-QFN Package Diagram . . . . .            | .52       |
| 10.2 Si5395 J/K/L/M/E (Internal Reference) 9x9 mm 64-LGA Package Diagram . . . . .            | .53       |
| 10.3 Si5394 and Si5392 A/B/C/D/P (External Reference) 7x7 mm 44-QFN Package Diagram . . . . . | .54       |
| 10.4 Si5394 and Si5392 J/K/L/M/E (Internal Reference) 7x7 mm 44-LGA Package Diagram . . . . . | .55       |
| <b>11. PCB Land Pattern . . . . .</b>   | <b>57</b> |
| <b>12. Top Marking . . . . .</b>  | <b>59</b> |
| <b>13. Revision History. . . . .</b>  | <b>60</b> |

## 4. Functional Description

The Si5392-95's internal DSPLL provides jitter attenuation and any-frequency multiplication of the selected input frequency. Fractional input dividers (P) allow the DSPLL to perform hitless switching between input clocks (INx) that are fractionally related. Input switching is controlled manually or automatically using an internal state machine. The oscillator circuit (OSC) provides a frequency reference which determines output frequency stability and accuracy while the device is in free-run or holdover mode. The high-performance MultiSynth dividers (N) generate integer or fractionally related output frequencies for the output stage. A crosspoint switch connects any of the MultiSynth generated frequencies to any of the outputs. Additional integer division (R) determines the final output frequency.

### 4.1 Frequency Configuration

The frequency configuration of the DSPLL is programmable through the serial interface and can also be stored in non-volatile memory. The combination of fractional input dividers ( $P_n/P_d$ ), fractional frequency multiplication ( $M_n/M_d$ ), fractional output MultiSynth division ( $N_n/N_d$ ), and integer output division ( $R_n$ ) allows the generation of virtually any output frequency on any of the outputs. All divider values for a specific frequency plan are easily determined using the ClockBuilder Pro utility.

### 4.2 DSPLL Loop Bandwidth

The DSPLL loop bandwidth determines the amount of input clock jitter attenuation. Register configurable DSPLL loop bandwidth settings in the range of 0.1 Hz to 4 kHz are available for selection for Grade A/B/C/D. Since the loop bandwidth is controlled digitally, the DSPLL will always remain stable with less than 0.1 dB of peaking regardless of the loop bandwidth selection. For grade P and E devices, the DSPLL bandwidth is fixed at 100 Hz.

### 4.3 Fastlock Feature

Selecting a low DSPLL loop bandwidth (e.g. 0.1 Hz) will generally lengthen the lock acquisition time. The fastlock feature allows setting a temporary Fastlock Loop Bandwidth that is used during the lock acquisition process. Higher fastlock loop bandwidth settings will enable the DSPLLs to lock faster. Fastlock Loop Bandwidth settings of in the range of 100 Hz to 4 kHz are available for selection. The DSPLL will revert to its normal loop bandwidth once lock acquisition has completed.

### 4.4 Modes of Operation

Once initialization is complete the DSPLL operates in one of four modes: Free-run Mode, Lock Acquisition Mode, Locked Mode, or Holdover Mode. A state diagram showing the modes of operation is shown in the figure below. The following sections describe each of these modes in greater detail.



Figure 4.1. Modes of Operation

#### 4.4.1 Initialization and Reset

Once power is applied, the device begins an initialization period, downloads default register values and configuration data from NVM, and performs other initialization tasks. To communicate with the device through the serial interface, wait until the initialization period is complete. No clocks will be generated until the initialization is complete.

Clocks that feature the integrated crystal may require a slightly longer settling time compared to the external crystal device. See the Reference Manual for more details.

Two types of resets are available. A hard reset is functionally similar to a device power-up. All registers will be restored to the values stored in NVM and all circuits including the serial interface will be restored to their initial state. A hard reset is initiated using the RSTb pin or by asserting the hard reset register bit.

A soft reset bypasses the NVM download. It is used to initiate register configuration changes.

#### 4.4.2 Freerun Mode

The DSPLL will automatically enter freerun mode once power is applied to the device and initialization is complete. The frequency accuracy of the generated output clocks in freerun mode is entirely dependent on the frequency accuracy of the external crystal or reference clock on the XA/XB pins. For example, if the crystal frequency is  $\pm 100$  ppm, then all the output clocks will be generated at their configured frequency  $\pm 100$  ppm in freerun mode. Any drift of the crystal frequency will be tracked at the output clock frequencies. A TCXO or OCXO is recommended for applications that need better frequency accuracy and stability while in freerun or holdover modes.

#### 4.4.3 Lock Acquisition Mode

The device monitors all inputs for a valid clock. If at least one valid clock is available for synchronization, the DSPLL will automatically start the lock acquisition process. If the fast lock feature is enabled, the DSPLL will acquire lock using the Fastlock Loop Bandwidth setting and then transition to the DSPLL Loop Bandwidth setting when lock acquisition is complete. During lock acquisition the outputs will generate a clock that follows the VCO frequency change as it pulls in to the input clock frequency.

#### 4.4.4 Locked Mode

Once locked, the DSPLL will generate output clocks that are both frequency and phase locked to their selected input clocks. At this point, any XTAL frequency drift will not affect the output frequency. A loss of lock pin (LOL) and status bit indicate when lock is achieved. See [4.8.4 LOL Detection](#) for more details on the operation of the loss-of-lock circuit.

#### 4.4.5 Holdover Mode

The DSPLL will automatically enter holdover mode when the selected input clock becomes invalid and no other valid input clocks are available for selection. The DSPLL uses an averaged input clock frequency as its final holdover frequency to minimize the disturbance of the output clock phase and frequency when an input clock suddenly fails. The holdover circuit for the DSPLL stores up to 120 seconds of historical frequency data while locked to a valid clock input. The final averaged holdover frequency value is calculated from a programmable window within the stored historical frequency data. Both the window size and the delay are programmable as shown in the figure below. The window size determines the amount of holdover frequency averaging. The delay value allows ignoring frequency data that may be corrupt just before the input clock failure.



**Figure 4.2. Programmable Holdover Window**

When entering holdover, the DSPLL will pull its output clock frequency to the calculated averaged holdover frequency. While in holdover, the output frequency drift is entirely dependent on the external crystal or external reference clock connected to the XA/XB pins. If the clock input becomes valid, the DSPLL will automatically exit the holdover mode and re-acquire lock to the new input clock. This process involves pulling the output clock frequency to achieve frequency and phase lock with the input clock. This pull-in process is glitchless and its rate is controlled by the DSPLL or the Fastlock bandwidth.

The DSPLL output frequency when exiting holdover can be ramped (recommended). Just before the exit is initiated, the difference between the current holdover frequency and the new desired frequency is measured. Using the calculated difference and a user-selectable ramp rate, the output is linearly ramped to the new frequency. The ramp rate can be 0.2 ppm/s, 40,000 ppm/s, or any of about 40 values in between. The DSPLL loop BW does not limit or affect ramp rate selections (and vice versa). CBPro defaults to ramped exit from holdover. The same ramp rate settings are used for both exit from holdover and ramped input switching. For more information on ramped input switching, see [4.7.4 Frequency Ramped Input Switching](#).

**Note:** If ramped holdover exit is not selected, the holdover exit is governed either by (1) the DSPLL loop BW or (2) a user-selectable holdover exit BW.

#### 4.4.6 Frequency-on-the-Fly (FOTF)

The Si5395/94/92 use register writes to support frequency-on-the-fly to allow frequency changes on one MultiSynth without affecting the clocks generated from other MultiSynths. See the [Si5395-94-92 Family Reference Manual](#) and [AN1178: Frequency-On-the-Fly for Skyworks Jitter Attenuators and Clock Generators](#) for more details.

#### 4.5 Digitally Controlled Oscillator (DCO) Mode (Grade A/B/C/D and J/K/L/M )

The output MultiSynths support a DCO mode where their output frequencies are adjustable in predefined steps defined by frequency step words (FSW). The frequency adjustments are controlled through the serial interface or by pin control using frequency increment (FINC) or decrement (FDEC). A FINC will add the frequency step word to the DSPLL output frequency, while a FDEC will decrement it. Any number of MultiSynths can be updated at once or independently controlled. The DCO mode is available when the DSPLL is operating in either free-run or locked mode.

#### 4.6 External Reference (Grade A/B/C/D/P Only)

An external crystal (XTAL) or crystal oscillator (XO) is used in combination with the internal oscillator (OSC) to produce an ultra low jitter reference clock for the DSPLL and for providing a stable reference for the free-run and holdover modes. A simplified diagram is shown in the figure below. The device includes internal XTAL loading capacitors which eliminates the need for external capacitors and also has the benefit of reduced noise coupling from external sources. Refer to [Table 5.12 External Crystal Specifications for Grades A/B/C/D/P on page 39](#) for crystal specifications. For the A/B/C/D grades, a crystal in the range of 48 MHz to 54 MHz is recommended for best jitter performance. The P grade devices must use a high quality 48 MHz crystal to achieve the ultra low jitter specification. The family reference manual provides additional information on PCB layout recommendations for the crystal to ensure optimum jitter performance.

To achieve optimal jitter performance and minimize BOM cost, a crystal is recommended on the XA/XB reference input. For SyncE pizza box applications (e.g. loop bandwidth set to 0.1 Hz), a TCXO is required on the XA/XB reference to minimize wander and to provide a stable holdover reference. See the [Si5395-94-92 Family Reference Manual](#) for more information. Selection between the external XTAL or REFCLK is controlled by register configuration. The internal crystal loading capacitors (CL) are disabled in the REFCLK mode. Refer to [Table 5.3 Input Clock Specifications on page 26](#) for REFCLK requirements when using this mode. A PREF divider is available to accommodate external clock frequencies higher than 54 MHz. Frequencies in the range of 48 MHz to 54 MHz will achieve the best output jitter performance.



Note: XA and XB must not exceed the maximum input voltage listed in [Table 5.3 Input Clock Specifications on page 24](#)

**Figure 4.3. Crystal Resonator and External Reference Clock Connection Options**

Note that connecting an external reference to a device that already has an integrated reference (grades J/K/L/M/E) is not allowed. Doing so could lead to internal damage to the circuits.

#### 4.7 Inputs (IN0, IN1, IN2, IN3)

There are four inputs that can be used to synchronize to the DSPLL. The inputs accept three formats of input clock: Standard Differential/Single-Ended, Standard LVC MOS or Pulsed CMOS (See Family Reference Manual for more details). Input selection can be manual (pin or register controlled) or automatic with user definable priorities.

#### 4.7.1 Manual Input Selection (IN0, IN1, IN2, IN3)

Input clock selection can be made manually using the IN\_SEL[1:0] pins or through a register. A register bit determines input selection as pin selectable (default) or register selectable. If there is no clock signal on the selected input, the device will automatically enter free-run or holdover mode. When the zero delay mode is enabled, IN3 becomes the feedback input (FB\_IN) and is not available for selection as a clock input.

**Table 4.1. Manual Input Selection Using IN\_SEL[1:0] Pins**

| IN_SEL[1:0] |   | Selected Input           |                         |
|-------------|---|--------------------------|-------------------------|
|             |   | Zero Delay Mode Disabled | Zero Delay Mode Enabled |
| 0           | 0 | IN0                      | IN0                     |
| 0           | 1 | IN1                      | IN1                     |
| 1           | 0 | IN2                      | IN2                     |
| 1           | 1 | IN3                      | Reserved                |

#### 4.7.2 Automatic Input Selection (IN0, IN1, IN2, IN3)

An automatic input selection state machine is available in addition to the manual switching option. In automatic mode, the selection criteria is based on input clock qualification, input priority, and the revertive option. Only input clocks that are valid can be selected by the automatic clock selection state machine. If there are no valid input clocks available the DSPLL will enter the holdover mode. With revertive switching enabled, the highest priority input with a valid input clock is always selected. If an input with a higher priority becomes valid then an automatic switchover to that input will be initiated. With non-revertive switching, the active input will always remain selected while it is valid. If it becomes invalid an automatic switchover to a valid input with the highest priority will be initiated.

### 4.7.3 Hitless Input Switching

Hitless switching is a feature that prevents a phase offset from propagating to the output when switching between two clock inputs that have a fixed phase relationship. A hitless switch can only occur when the two input frequencies are frequency locked meaning that they have to be exactly at the same frequency, or at an integer frequency relationship to each other. When hitless switching is enabled, the DSPLL simply absorbs the phase difference between the two input clocks during a input switch. When disabled, the phase difference between the two inputs is propagated to the output at a rate determined by the DSPLL Loop Bandwidth. The hitless switching feature supports clock frequencies down to the minimum input frequency of 8 kHz; however, for optimum hitless switching performance, higher input frequencies are recommended.



**Figure 4.4. Output Phase Transient—Hitless Switching between Two 25 MHz Inputs (0 ppm, 180 Degree Phase Shift)**

### 4.7.4 Frequency Ramped Input Switching

The ramped input switching feature is enabled/disabled depending on both the frequency of the Phase-Frequency detector (F<sub>pdf</sub>) and the difference in input frequencies (Zero-PPM vs non-zero PPM). The table below shows the selection criteria to enable ramped input switching. The same ramp rate settings are used for both holdover exit and clock switching. For more information on ramped exit from holdover, see 4.4.5 Holdover Mode and the Si5395-94-92 Family Reference Manual.



Figure 4.5. Output Frequency Transient—Ramped Switching between Two 8 kHz Inputs (±4.6 ppm Offset)

Table 4.2. Recommended Ramped Input Switching Settings for Internal Clock Switches

| Maximum Input Frequency Difference | F <sub>pdf</sub> <sup>1</sup> < 500 kHz              | F <sub>pdf</sub> <sup>1</sup> ≥ 500 kHz |
|------------------------------------|--|---|
| 0 ppm Frequency Locked             | Ramped Exit from Holdover                            |   |
| ≤ 10 ppm                           | Ramped Input Switching and Ramped Exit from Holdover | Ramped Exit from Holdover               |
| > 10 ppm                           | Ramped Input Switching and Ramped Exit from Holdover |   |

**Note:**

1. The F<sub>pdf</sub> value is determined by various requirements of the frequency plan and is displayed in the CBPro project file.

Always enable hitless switching and enable phase buildout on holdover exit. See the latest version of CBPro to properly configure the device.

### 4.7.5 Glitchless Input Switching

The glitchless switching feature allows the DSPLL to switch between two input clock frequencies that are up to ±500 ppm apart without an abrupt phase change at the output. The DSPLL will pull-in to the new frequency using a ramped frequency step (if ramping is enabled) or using Fastlock/nominal lock parameters (if ramping is disabled).

The loss of lock (LOL) indicator will assert while the DSPLL is pulling-in to the new clock frequency.

### 4.7.6 Synchronizing to Gapped Input Clocks (Grade A/B/C/D and J/K/L/M Only)

The DSPLL supports locking to an input clock that has missing periods. This is also referred to as a gapped clock. The purpose of gapped clocking is to modulate the frequency of a periodic clock by selectively removing some of its cycles. Gapping a clock severely increases its jitter so a phase-locked loop with high jitter tolerance and low loop bandwidth is required to produce a low-jitter periodic clock. The resulting output will be a periodic non-gapped clock with an average frequency of the input with its missing cycles. For example, an input clock of 100 MHz with one cycle removed every 10 cycles will result in a 90 MHz periodic non-gapped output clock. This is shown in the following figure. For more information on gapped clocks, see “AN561: Introduction to Gapped Clocks and PLLs”.



Figure 4.6. Generating an Averaged Clock Output Frequency from a Gapped Clock Input

A valid gapped clock input must have a minimum frequency of 10 MHz with a maximum of two missing cycles out of every eight. Locking to a gapped clock will not trigger the LOS, OOF, and LOL fault monitors. Clock switching between gapped clocks may violate the hitless switching specification in Table 5.8 Performance Characteristics on page 34 when the switch occurs during a gap in either input clock.

### 4.8 Fault Monitoring

All four input clocks (IN0, IN1, IN2, IN3/FB\_IN) are monitored for loss of signal (LOS) and out-of-frequency (OOF) as shown in the figure below. The reference at the XA/XB pins is also monitored for LOS since it provides a critical reference clock for the DSPLL. There is also a Loss Of Lock (LOL) indicator, which is asserted when the DSPLL loses synchronization.



Figure 4.7. Si5395/94/92 Fault Monitors

### 4.8.1 Input LOS Detection

The loss of signal monitor measures the period of each input clock cycle to detect phase irregularities or missing clock edges. Each of the input LOS circuits has its own programmable sensitivity which allows ignoring missing edges or intermittent errors. Loss of signal sensitivity is configurable using the ClockBuilder Pro utility. The LOS status for each of the monitors is accessible by reading a status register. The live LOS register always displays the current LOS state and a sticky register always stays asserted until cleared. An option to disable any of the LOS monitors is also available.



Figure 4.8. LOS Status Indicators

### 4.8.2 XA/XB LOS Detection

A LOS monitor is available to ensure that the external crystal or reference clock is valid. By default the output clocks are disabled when XAXB\_LOS is detected. This feature can be disabled such that the device will continue to produce output clocks when XAXB\_LOS is detected.

### 4.8.3 OOF Detection

Each input clock is monitored for frequency accuracy with respect to a OOF reference which it considers as its “0\_ppm” reference. This OOF reference can be selected as either:

- XA/XB pins
- Any input clock (IN0, IN1, IN2, IN3)

The final OOF status is determined by the combination of both a precise OOF monitor and a fast OOF monitor as shown in the figure below. An option to disable either monitor is also available. The live OOF register always displays the current OOF state, and its sticky register bit stays asserted until cleared.



Figure 4.9. OOF Status Indicator

### 4.8.3.1 Precision OOF Monitor

The precision OOF monitor circuit measures the frequency of all input clocks to within  $\pm 1/16$  ppm accuracy with respect to the selected OOF frequency reference. A valid input clock frequency is one that remains within the OOF frequency range which is register configurable up to  $\pm 512$  ppm in steps of  $1/16$  ppm. A configurable amount of hysteresis is also available to prevent the OOF status from toggling at the failure boundary. An example is shown in the figure below. In this case, the OOF monitor is configured with a valid frequency range of  $\pm 6$  ppm and with 2 ppm of hysteresis. An option to use one of the input pins (IN0–IN3) as the 0 ppm OOF reference instead of the XA/XB pins is available. This option is register configurable.



Figure 4.10. Example of Precise OOF Monitor Assertion and Deassertion Triggers

### 4.8.3.2 Fast OOF Monitor

Because the precision OOF monitor needs to provide  $1/16$  ppm of frequency measurement accuracy, it must measure the monitored input clock frequencies over a relatively long period of time. This may be too slow to detect an input clock that is quickly ramping in frequency. An additional level of OOF monitoring called the Fast OOF monitor runs in parallel with the precision OOF monitors to quickly detect a ramping input frequency. The Fast OOF monitor asserts OOF on an input clock frequency that has changed by greater than  $\pm 4000$  ppm.

### 4.8.4 LOL Detection

The Loss Of Lock (LOL) monitor asserts a LOL register bit when the DSPLL has lost synchronization with its selected input clock. There is also a dedicated loss of lock pin that reflects the loss of lock condition. The LOL monitor functions by measuring the frequency difference between the input and feedback clocks at the phase detector. There are two LOL frequency monitors, one that sets the LOL indicator (LOL Set) and another that clears the indicator (LOL Clear). An optional timer is available to delay clearing of the LOL indicator to allow additional time for the DSPLL to completely lock to the input clock. The timer is also useful to prevent the LOL indicator from toggling or chattering as the DSPLL completes lock acquisition. A block diagram of the LOL monitor is shown in the figure below. The live LOL register always displays the current LOL state and a sticky register always stays asserted until cleared. The LOL pin reflects the current state of the LOL monitor.



Figure 4.11. LOL Status Indicators

The LOL frequency monitors have an adjustable sensitivity which is register configurable from 0.1 ppm to 10,000 ppm. Having two separate frequency monitors allows for hysteresis to help prevent chattering of LOL status.

An example configuration where LOCK is indicated when there is less than 0.1 ppm frequency difference at the inputs of the phase detector and LOL is indicated when there's more than 1 ppm frequency difference is shown in the following figure.



**Figure 4.12. LOL Set and Clear Thresholds**

An optional timer is available to delay clearing of the LOL indicator to allow additional time for the DSPLL to completely lock to the input clock. The timer is also useful to prevent the LOL indicator from toggling or chattering as the DSPLL completes lock acquisition. The configurable delay value depends on frequency configuration and loop bandwidth of the DSPLL and is automatically calculated using the ClockBuilder Pro utility.

#### 4.8.5 Interrupt Pin (INTRb)

An interrupt pin (INTRb) indicates a change in state of the status indicators (LOS, OOF, LOL, HOLD). Any of the status indicators are maskable to prevent assertion of the interrupt pin. The state of the INTRb pin is reset by clearing the status register that caused the interrupt.

#### 4.9 Outputs

Each driver has a configurable voltage swing and common mode voltage covering a wide variety of differential signal formats. In addition to supporting differential signals, any of the outputs can be configured as single-ended LVCMOS (3.3 V, 2.5 V, or 1.8 V) providing up to 20 single-ended outputs, or any combination of differential and single-ended outputs.

##### 4.9.1 Grade A/B/C/D and J/K/L/M

The Si539x "standard" grades A/B/C/D (external reference) and J/K/L/M (integrated reference) can generate any output frequency in any format with best-in-class jitter. These devices are available as a preprogrammed option or can be written to the device via I<sup>2</sup>C. The input/output frequency plan determines whether the output divider operates in integer or fractional mode. In the fractional mode, the device can generate any output frequency or any format with best-in-class jitter. Some frequency plans allow the user to use an integer mode that delivers even lower jitter. See the [Si5395-94-92 Family Reference Manual](#) for more details.



**Figure 4.13. Si5395 A/B/C/D/J/K/L/M Jitter Attenuator**

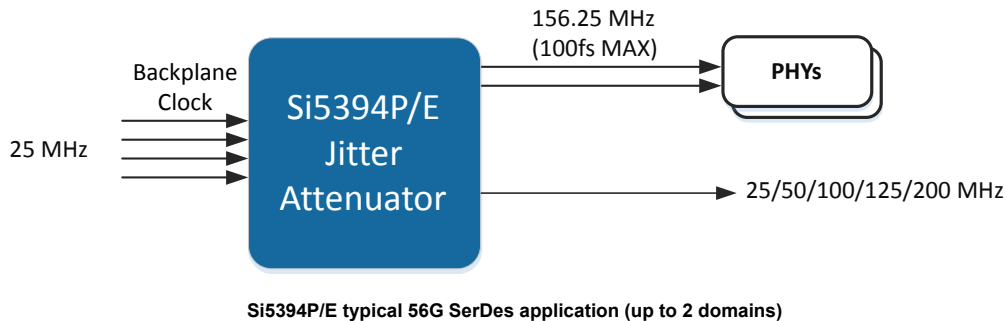
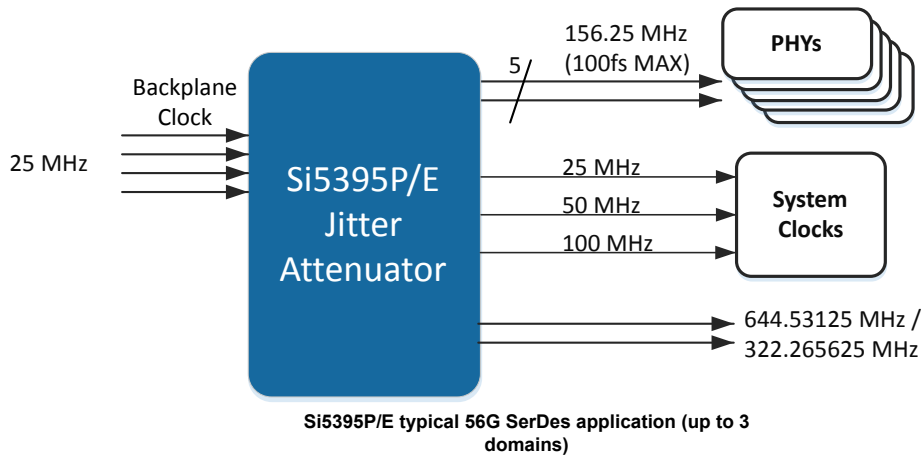
### 4.9.2 Grades P and E

Some applications, like 56G PAM4 SerDes, require even higher performance (< 100fs MAX) than is already provided by standard Skyworks jitter attenuators (<140fs MAX). The Si539x grades P (external reference) and E (integrated reference) are Precision grade jitter attenuators that calibrate out linearity errors to deliver the world's best jitter performance over a wide range of frequency plans.

The Si5392P/E can support 1 clock domain while the Si5394P/E supports 1 or 2 clock domains and the Si5395P/E can support 1, 2 or 3 clock domains while delivering guaranteed low jitter of 100fs MAX on the primary SerDes clocks. The frequencies supported by the 3 domains are

- Domain#1 (Si5395/94/92 P/E) - 156.25/312.5/625 MHz
- Domain#2 (Si5395/94 P/E) - 25/50/100/125/200/156.25/312.5/625 MHz
- Domain#3 (Si5395 P/E) - 25/50/100/125/200/156.25/312.5/625/322.265625/644.53125 MHz

The examples below show examples of how each of the 3 devices can be used as jitter attenuators in 56G Pam4 SerDes applications.



**Figure 4.14. Typical Grade P and Grade E 56G SerDes Applications**

The external reference used on the XA/XB pins of the P grade is restricted to a 48 MHz crystal. No other values of crystal or other reference sources like XO or VCXO are allowed. If the design requires other crystal frequencies, then the standard Si539xA/B/C/D should be used instead of the Si539xP.

To deliver guaranteed jitter performance 100fs MAX on the 56 G Pam4 SerDes clocks, the additional system clocks must follow some specific design rules. Additionally, the device input clocks should be traceable back to a Stratum 3 primary reference clock. See the Si5395/94/92 Family Reference manual for more details on these design rules.

#### 4.9.3 Output Crosspoint

A crosspoint allows any of the output drivers to connect with any of the MultiSynths. The crosspoint configuration is programmable and can be stored in NVM so that the desired output configuration is ready at power up.

#### 4.9.4 Output Signal Format

The differential output swing and common mode voltage are both fully programmable covering a wide variety of signal formats including LVDS and LVPECL. In addition to supporting differential signals, any of the outputs can be configured as LVCMOS (3.3 V, 2.5 V, or 1.8 V) drivers providing up to 20 single-ended outputs, or any combination of differential and single-ended outputs.

#### 4.9.5 Programmable Common Mode Voltage For Differential Outputs

The common mode voltage ( $V_{CM}$ ) for the differential modes are programmable so that LVDS specifications can be met and for the best signal integrity with different supply voltages. When DC coupling the output driver, it is essential that the receiver have a relatively high common mode impedance so that the common mode current from the output driver is very small.

#### 4.9.6 LVCMOS Output Impedance Selection

Each LVCMOS driver has a configurable output impedance to accommodate different trace impedances. A source termination resistor is recommended to help match the selected output impedance to the trace impedance, where  $R_s = \text{Transmission line impedance} - Z_O$ . There are three programmable output impedance selections (CMOS1, CMOS2, CMOS3) for each VDDO option as shown in the following table.

**Table 4.3. Typical Output Impedance ( $Z_S$ )**

| VDDO  | CMOS Drive Selections |                   |                   |
|-------|-----------------------|-------------------|-------------------|
|       | OUTx_CMOS_DRV = 1     | OUTx_CMOS_DRV = 2 | OUTx_CMOS_DRV = 3 |
| 3.3 V | 38 $\Omega$           | 30 $\Omega$       | 22 $\Omega$       |
| 2.5 V | 43 $\Omega$           | 35 $\Omega$       | 24 $\Omega$       |
| 1.8 V | —                     | 46 $\Omega$       | 31 $\Omega$       |

#### 4.9.7 LVCMOS Output Signal Swing

The signal swing ( $V_{OL}/V_{OH}$ ) of the LVCMOS output drivers is set by the voltage on the VDDO pins. Each output driver has its own VDDO pin allowing a unique output voltage swing for each of the LVCMOS drivers.

#### 4.9.8 LVCMOS Output Polarity

When a driver is configured as an LVCMOS output, it generates a clock signal on both pins (OUTx and OUTxb). By default, the clock on the OUTx pin is generated with the same polarity (in phase) as the clock on the OUTxb pin. The polarity of these clocks is configurable, enabling complementary clock generation and/or inverted polarity with respect to other output drivers.

#### 4.9.9 Output Enable/Disable

The OEb pin provides a convenient method of disabling or enabling the output drivers. When the OEb pin is held high, all outputs are disabled. When held low, the outputs are enabled. Outputs in the enabled state can be individually disabled through register control.

#### 4.9.10 Output Driver State When Disabled

The disabled state of an output driver is configurable as disable low or disable high.

#### 4.9.11 Synchronous Output Disable Feature

The output drivers provide a selectable synchronous disable feature. Output drivers with this feature turned on will wait until a clock period has completed before the driver is disabled. This prevents unwanted runt pulses from occurring when disabling an output. When this feature is turned off, the output clock will disable immediately without waiting for the period to complete.

#### 4.9.12 Input/Output Skew Control

The input-output skew can be adjusted in dynamic mode. The dynamic phase adjust will allow the device to dynamically and glitchlessly change the output phase using register writes with the device still powered up. The skew value may change after each reset or power cycle. See the family reference manual for more details.

#### 4.9.13 Zero Delay Mode (Grades A/B/C/D and J/K/L/M)

A zero delay mode is available for applications that require fixed and consistent minimum delay between the selected input and outputs. The zero delay mode is configured by opening the internal feedback loop through software configuration and closing the loop externally as shown in the figure below. (Zero delay mode is only available for clock inputs that are higher than 128 kHz.)

This helps to cancel out the internal delay introduced by the dividers, the crosspoint, the input, and the output drivers. Any one of the outputs can be fed back to the FB\_IN pins, although using the output driver that achieves the shortest trace length will help to minimize the input-to-output delay. The OUT9 and FB\_IN pins are recommended for the external feedback connection. The FB\_IN input pins must be terminated and ac-coupled when zero delay mode is used. A differential external feedback path connection is necessary for best performance. Note that the hitless switching feature is not available when zero delay mode is enabled.



Figure 4.15. Si5395 Zero Delay Mode Setup

#### 4.9.14 Output Divider (R) Synchronization

All the output R dividers are reset to a known state during the power-up initialization period. This ensures consistent and repeatable phase alignment across all output drivers that are connected to the same N divider.

#### 4.10 Power Management

Unused inputs and output drivers can be powered down when unused. Consult the [Si5395-94-92 Family Reference Manual](#) and ClockBuilder Pro configuration utility for details.

#### 4.11 In-Circuit Programming

The Si5395/94/92 is fully configurable using the serial interface (I<sup>2</sup>C or SPI). At power-up the device downloads its default register values from internal non-volatile memory (NVM). Application specific default configurations can be written into NVM allowing the device to generate specific clock frequencies at power-up. Writing default values to NVM is in-circuit programmable with normal operating power supply voltages applied to its V<sub>DD</sub> and V<sub>DDA</sub> pins. The NVM is two time writable. Once a new configuration has been written to NVM, the old configuration is no longer accessible. Refer to the [Si5395-94-92 Family Reference Manual](#) for a detailed procedure for writing registers to NVM.

#### 4.12 Serial Interface

Configuration and operation of the Si5395/94/92 is controlled by reading and writing registers using the I<sup>2</sup>C or SPI interface. The I2C\_SEL pin selects I<sup>2</sup>C or SPI operation. Communication with both 3.3 V and 1.8 V host is supported. The SPI mode operates in either 4-wire or 3-wire. See the [Si5395-94-92 Family Reference Manual](#) for details.

#### 4.13 Custom Factory Preprogrammed Parts

For applications where a serial interface is not available for programming the device, custom pre-programmed parts can be ordered with a specific configuration written into NVM. A factory preprogrammed part will generate clocks at power-up. Custom, factory-preprogrammed devices are available. The ClockBuilder Pro [custom part number wizard](#) can be used to quickly and easily generate a custom part number for your configuration.

In less than three minutes, you will be able to generate a custom part number with a detailed data sheet addendum matching your design's configuration. Once you receive the confirmation email with the data sheet addendum, simply place an order with your local Skyworks sales representative. Samples of your preprogrammed device will typically ship in about two weeks.

#### 4.14 Register Map

The register map is divided into multiple pages where each page has 256 addressable registers. Page 0 contains frequently accessible registers, such as alarm status, resets, device identification, etc. Other pages contain registers that need less frequent access such as frequency configuration, and general device settings. Refer to the [Si5395-94-92 Family Reference Manual](#) for a complete list of register descriptions and settings. It is strongly recommended that [ClockBuilder Pro](#) be used to create and manage register settings.

## 5. Electrical Specifications

**Table 5.1. Recommended Operating Conditions<sup>1</sup>**

| Parameter                          | Symbol     | Min  | Typ  | Max  | Unit |
|------------------------------------|------------|------|------|------|------|
| Ambient Temperature                | $T_A$      | -40  | 25   | 85   | °C   |
| Junction Temperature               | $T_{JMAX}$ | —    | —    | 125  | °C   |
| Core Supply Voltage                | $V_{DD}$   | 1.71 | 1.80 | 1.89 | V    |
|                                    | $V_{DDA}$  | 3.14 | 3.30 | 3.47 | V    |
| Clock Output Driver Supply Voltage | $V_{DDO}$  | 3.14 | 3.30 | 3.47 | V    |
|                                    |            | 2.37 | 2.50 | 2.62 | V    |
|                                    |            | 1.71 | 1.80 | 1.89 | V    |
| Status Pin Supply Voltage          | $V_{DDS}$  | 3.14 | 3.30 | 3.47 | V    |
|                                    |            | 1.71 | 1.80 | 1.89 | V    |

**Note:**

1. All minimum and maximum specifications are guaranteed and apply across the recommended operating conditions. Typical values apply at nominal supply voltages and an operating temperature of 25 °C unless otherwise noted.

**Table 5.2. DC Characteristics**

$V_{DD} = 1.8 \text{ V} \pm 5\%$ ,  $V_{DDA} = 3.3 \text{ V} \pm 5\%$ ,  $V_{DDIO}/V_{DDS} = 3.3 \text{ V} \pm 5\%$ ,  $1.8 \text{ V} \pm 5\%$ ,  $V_{DDO} = 1.8 \text{ V} \pm 5\%$ ,  $2.5 \text{ V} \pm 5\%$ , or  $3.3 \text{ V} \pm 5\%$ ,  $T_A = -40$  to  $85 \text{ }^\circ\text{C}$

| Parameter                              | Symbol     | Test Condition                   | Min | Typ  | Max  | Unit |
|--|------------|----------------------------------|-----|------|------|------|
| Core Supply Current <sup>1, 2, 3</sup> | $I_{DD}$   | Si5395                           | —   | 150  | 300  | mA   |
|  |            | Si5394/92                        | —   | 125  | 250  | mA   |
|  | $I_{DDA}$  | Si5395                           | —   | 125  | 140  | mA   |
|  |            | Si5394/92                        | —   | 115  | 130  | mA   |
| Output Buffer Supply Current           | $I_{DDOx}$ | 2.5 V LVPECL Output <sup>4</sup> | —   | 22   | 26   | mA   |
|  |            | 2.5 V LVDS Output <sup>4</sup>   | —   | 15   | 18   | mA   |
|  |            | 3.3 V LVCMOS Output <sup>5</sup> | —   | 22   | 30   | mA   |
|  |            | 2.5 V LVCMOS Output <sup>5</sup> | —   | 18   | 23   | mA   |
|  |            | 1.8 V LVCMOS Output <sup>5</sup> | —   | 12   | 16   | mA   |
| Total Power Dissipation <sup>6</sup>   | $P_d$      | Si5395 <sup>1</sup>              | —   | 1000 | 1400 | mW   |
|  |            | Si5394 <sup>2</sup>              | —   | 750  | 1100 | mW   |
|  |            | Si5392 <sup>3</sup>              | —   | 680  | 1000 | mW   |

**Notes:**

- Si5395 test configuration: 7 x 2.5 V LVDS outputs enabled at 156.25 MHz. Excludes power in termination resistors.
- Si5394 test configuration: 4 x 2.5 V LVDS outputs enabled at 156.25 MHz. Excludes power in termination resistors.
- Si5392 test configuration: 2 x 2.5 V LVDS outputs enabled at 156.25 MHz. Excludes power in termination resistors.
- Differential outputs enabled at 156.25 MHz and terminated into an ac-coupled 100  $\Omega$  load.

**Differential Output Test Configuration**

- LVCMOS outputs enabled at 156.25 MHz and measured into a 5 inch 50  $\Omega$  PCB trace with 4.7 pF load. Measurements were made with  $\text{OUTx\_CMOS\_DRV}=3$ . See Reference Manual for more details on register settings.

**LVCMOS Output Test Configuration**

- Detailed power consumption for any configuration can be estimated using [ClockBuilder Pro](#) when an evaluation board (EVB) is not available. All EVBs support detailed current measurements for any configuration.

**Table 5.3. Input Clock Specifications**
 $V_{DD} = 1.8\text{ V} \pm 5\%$ ,  $V_{DDA} = 3.3\text{ V} \pm 5\%$ ,  $T_A = -40\text{ to }85\text{ }^\circ\text{C}$ 

| Parameter   | Symbol         | Test Condition  | Min   | Typ | Max  | Unit       |
|---|----------------|---|-------|-----|------|------------|
| <b>Standard Differential or Single-Ended - AC Coupled Input Buffer (IN0/IN0b, IN1/IN1b, IN2/IN2b, IN3/FB_IN, IN3b/FB_INb)</b> |                |   |       |     |      |            |
| Input Frequency Range   | $f_{IN}$       | Differential  | 0.008 | —   | 750  | MHz        |
|   |                | All Single-ended signals<br>(including LVCMOS)                        | 0.008 | —   | 250  | MHz        |
| Voltage Swing <sup>1</sup>  | $V_{IN}$       | Differential AC-coupled<br>$f_{IN} < 250\text{ MHz}$                  | 100   | —   | 1800 | mVpp_se    |
|   |                | Differential AC-coupled<br>$250\text{ MHz} < f_{IN} < 750\text{ MHz}$ | 225   | —   | 1800 | mVpp_se    |
|   |                | Single-ended AC-coupled<br>$f_{IN} < 250\text{ MHz}$                  | 100   | —   | 3600 | mVpp_se    |
| Slew Rate <sup>2, 3</sup>   | SR             |   | 400   | —   | —    | V/ $\mu$ s |
| Duty Cycle  | DC             |   | 40    | —   | 60   | %          |
| Input Capacitance   | $C_{IN}$       |   | —     | 2.4 | —    | pF         |
| Input Resistance Differential   | $R_{IN\_DIFF}$ |   | —     | 16  | —    | k $\Omega$ |
| Input Resistance Single-Ended   | $R_{IN\_SE}$   |   | —     | 8   | —    | k $\Omega$ |
| <b>LVCMOS / Pulsed CMOS DC-Coupled Input Buffer (IN0, IN1, IN2, IN3/FB_IN)<sup>4</sup></b>                                    |                |   |       |     |      |            |
| Input Frequency   | $f_{IN\_CMOS}$ | Standard CMOS &<br>Non-standard CMOS                                  | 0.008 | —   | 250  | MHz        |
|   |                | Pulsed CMOS   | 0.008 | —   | 1    | MHz        |
| Input Voltage <sup>5</sup>  | $V_{IL}$       | Standard CMOS   | —     | —   | 0.5  | V          |
|   |                | Non-standard CMOS &<br>Pulsed CMOS                                    | —     | —   | 0.4  | V          |
|   | $V_{IH}$       | Standard CMOS   | 1.3   | —   | —    | V          |
|   |                | Non-standard CMOS &<br>Pulsed CMOS                                    | 0.8   | —   | —    | V          |
| Slew Rate <sup>2, 3</sup>   | SR             |   | 400   | —   | —    | V/ $\mu$ s |
| Duty Cycle  | DC             | Standard CMOS &<br>Non-standard CMOS                                  | 40    | —   | 60   | %          |
|   |                | Pulsed CMOS   | 5     | —   | 95   |            |
| Minimum Pulse Width   | PW             | Standard CMOS &<br>Non-standard CMOS<br>(250 MHz @ 40% Duty Cycle)    | 1.6   | —   | —    | ns         |
|   |                | Pulsed CMOS<br>(1 MHz @ 40% Duty Cycle)                               | 50    | —   | —    |            |
| Input Resistance  | $R_{IN}$       |   | —     | 8   | —    | k $\Omega$ |

| Parameter  | Symbol         | Test Condition  | Min   | Typ | Max   | Unit       |
|--|----------------|---|-------|-----|-------|------------|
| <b>REFCLK (Applied to XA/XB) (Grade A/B/C/D)</b> |                |   |       |     |       |            |
| REFCLK Frequency                                 | $f_{IN\_REF}$  | Full operating range. Jitter performance may be reduced.                  | 24.97 | —   | 54.06 | MHz        |
|  |                | Range for best jitter.  | 48    | —   | 54    | MHz        |
|  |                | TCXO frequency for SyncE applications. Jitter performance may be reduced. | —     | 40  | —     | MHz        |
| Input Single-ended Voltage Swing                 | $V_{IN\_SE}$   |   | 365   | —   | 2000  | mVpp_se    |
| Input Differential Voltage Swing                 | $V_{IN\_DIFF}$ |   | 365   | —   | 2500  | mVpp_diff  |
| Slew Rate <sup>2, 3</sup>                        | SR             |   | 400   | —   | —     | V/ $\mu$ s |
| Duty Cycle                                       | DC             |   | 40    | —   | 60    | %          |

**Note:**

1. Voltage swing is specified as single-ended mVpp.



2. Recommended for specified jitter performance. Slew rate can go lower, but jitter performance could degrade if the minimum slew rate specification is not met (see the [Si5395-94-92 Family Reference Manual](#)).
3. Rise and fall times can be estimated using the following simplified equation:  $t_r/t_f_{80-20} = ((0.8 - 0.2) \times V_{IN\_Vpp\_se}) / SR$ .
4. Standard, Non-standard and Pulsed CMOS refer to different formats of CMOS each with a voltage swing of 1.8V, 2.5V or 3.3V +/-5%.
  - Standard CMOS refers to the industry standard LVCMOS signal.
  - Non-standard CMOS refers to a signal that has been attenuated/level-shifted in order to comply with the specified non-standard VIL and VIH specifications.
  - Pulsed CMOS refers to a signal that has been attenuated/level-shifted and has a low/high duty cycle and must be dc coupled. A typical application example is a low-frequency video frame sync pulse.

Refer to the [Si5395-94-92 Family Reference Manual](#) for the recommended connections/termination for the different modes.

5. CMOS signals that exceed 3.3 V + 5% can be used as inputs as long as a resistive attenuation network is used to guarantee that the input voltage at the pin does not violate the device's input ratings. Please refer to the [Si5395-94-92 Family Reference Manual](#) for the recommended connections/termination for this mode.

**Table 5.4. Serial and Control Input Pin Specifications**
 $V_{DD} = 1.8\text{ V} \pm 5\%$ ,  $V_{DDA} = 3.3\text{ V} \pm 5\%$ ,  $V_{DDIO}/V_{DDS} = 3.3\text{ V} \pm 5\%$ ,  $1.8\text{ V} \pm 5\%$ ,  $T_A = -40\text{ to }85\text{ }^\circ\text{C}$ 

| Parameter   | Symbol   | Test Condition      | Min                     | Typ | Max                     | Unit          |
|---|----------|---------------------|-------------------------|-----|-------------------------|---------------|
| <b>Si5395 Serial and Control Input Pins (I2C_SEL, IN_SEL[1:0], RSTb, OEb, A1/SDO, SCLK, A0/CSb, FINC, FDEC, SDA/SDIO)</b>   |          |                     |                         |     |                         |               |
| Input Voltage   | $V_{IL}$ |                     | —                       | —   | $0.3 \times V_{DDIO}^1$ | V             |
|   | $V_{IH}$ |                     | $0.7 \times V_{DDIO}^1$ | —   | —                       | V             |
| Input Capacitance   | $C_{IN}$ |                     | —                       | 2   | —                       | pF            |
| Input Resistance  | $R_{IN}$ |                     | —                       | 20  | —                       | k $\Omega$    |
| Minimum Pulse Width   | PW       | RSTb, FINC and FDEC | 100                     | —   | —                       | ns            |
| Update Rate   | $T_{UR}$ | FINC and FDEC       | 1                       | —   | —                       | $\mu\text{s}$ |
| <b>Si5394/92 Serial and Control Input Pins (I2C_SEL, IN_SEL[1:0], RSTb, OEb, A1/SDO, SCLK, A0/CSb, SDA/SDIO)</b>  |          |                     |                         |     |                         |               |
| Input Voltage   | $V_{IL}$ |                     | —                       | —   | $0.3 \times V_{DDIO}^1$ | V             |
|   | $V_{IH}$ |                     | $0.7 \times V_{DDIO}^1$ | —   | —                       | V             |
| Input Capacitance   | $C_{IN}$ |                     | —                       | 2   | —                       | pF            |
| Input Resistance  | $R_{IN}$ |                     | —                       | 20  | —                       | k $\Omega$    |
| Minimum Pulse Width   | PW       | RSTb                | 100                     | —   | —                       | ns            |
| <b>Note:</b>  |          |                     |                         |     |                         |               |
| 1. $V_{DDIO}$ is determined by the IO_VDD_SEL bit. It is selectable as $V_{DDA}$ or $V_{DD}$ . See the <a href="#">Si5395-94-92 Family Reference Manual</a> for more details on the proper register settings. |          |                     |                         |     |                         |               |

**Table 5.5. Differential Clock Output Specifications**
 $V_{DD} = 1.8\text{ V} \pm 5\%$ ,  $V_{DDA} = 3.3\text{ V} \pm 5\%$ ,  $V_{DDO} = 1.8\text{ V} \pm 5\%$ ,  $2.5\text{ V} \pm 5\%$ , or  $3.3\text{ V} \pm 5\%$ ,  $T_A = -40\text{ to }85\text{ }^\circ\text{C}$ 

| Parameter   | Symbol    | Test Condition   | Min    | Typ  | Max    | Unit               |   |
|---|-----------|--|--------|------|--------|--------------------|---|
| <b>Si5395/94/92</b>   |           |  |        |      |        |                    |   |
| Output Frequency  | $f_{OUT}$ | MultiSynth not used  | 0.0001 | —    | 720    | MHz                |   |
|   |           |  | 733.33 | —    | 800.00 | MHz                |   |
|   |           |  | 825    | —    | 1028   | MHz                |   |
|   |           | MultiSynth used  | 0.0001 | —    | 720    | MHz                |   |
| Duty Cycle <sup>1</sup>   | DC        | MultiSynth used:<br>$f_{OUT} < 400\text{ MHz}$                     | 48     | —    | 52     | %                  |   |
|   |           | MultiSynth used:<br>$400\text{ MHz} < f_{OUT} \leq 720\text{ MHz}$ | 45     | —    | 55     | %                  |   |
|   |           | MultiSynth not used:<br>$f_{OUT} < 1028\text{ MHz}$                | 25     | —    | 75     | %                  |   |
| Output Voltage Swing <sup>2</sup>                                       | VOUT      | $V_{DDO} = 3.3\text{ V}, 2.5\text{ V}, 1.8\text{ V}$<br>LVDS       | 350    | 450  | 530    | mVpp <sub>se</sub> |   |
|   |           | $V_{DDO} = 3.3\text{ V}, 2.5\text{ V}$<br>LVPECL                   | 630    | 780  | 950    | mVpp <sub>se</sub> |   |
| Common Mode Voltage <sup>2, 3</sup><br>(100 $\Omega$ load line-to-line) | VCM       | $V_{DDO} = 3.3\text{ V}$   | LVDS   | 1.1  | 1.2    | 1.3                | V |
|   |           |  | LVPECL | 1.9  | 2.0    | 2.1                | V |
|   |           | $V_{DDO} = 2.5\text{ V}$   | LVPECL | 1.1  | 1.2    | 1.3                | V |
|   |           |  | LVDS   | 1.1  | 1.2    | 1.3                | V |
| $V_{DDO} = 1.8\text{ V}$  | sub-LVDS  | 0.8  | 0.9    | 1.0  | V      |                    |   |
| Output-to-Output Skew<br>(Same MultiSynth)                              | $T_{SKS}$ | $f_{OUT} = 712.5\text{ MHz}$<br>(LVDS)                             | —      | 0    | 75     | ps                 |   |
| Out-Outb Skew on one output   | TSK_OUT   | Measured from positive to negative output pins (LVDS)              | —      | 0    | 50     | ps                 |   |
| Rise and Fall Times <sup>2</sup>  | $t_r/t_f$ | $f_{OUT} > 100\text{ MHz}$ (20% to 80%)                            | —      | 100  | 200    | ps                 |   |
| Differential Output Impedance   | ZO        |  | —      | 100  | —      | $\Omega$           |   |
| Power Supply Noise Rejection <sup>3</sup>                               | PSRR      | 10 kHz sinusoidal noise  | —      | -101 | —      | dBc                |   |
|   |           | 100 kHz sinusoidal noise   | —      | -96  | —      | dBc                |   |
|   |           | 500 kHz sinusoidal noise   | —      | -99  | —      | dBc                |   |
|   |           | 1 MHz sinusoidal noise   | —      | -97  | —      | dBc                |   |
| Output-to-Output Crosstalk <sup>4</sup>                                 | XTALK     | Si5395   | —      | -72  | —      | dBc                |   |
|   |           | Si5394/92  | —      | -88  | —      | dBc                |   |

| Parameter | Symbol | Test Condition | Min | Typ | Max | Unit |
|-----------|--------|----------------|-----|-----|-----|------|
|-----------|--------|----------------|-----|-----|-----|------|

**Notes:**

1. Duty cycle can vary depending on frequency plan (output frequency and divide ratios).
2. Output amplitude and common-mode settings are programmable through register settings and can be stored in NVM. Each output driver can be programmed independently. Note that the maximum LVDS single-ended amplitude can be up to 110 mV higher than the TIA/EIA-644 maximum. Refer to the [Si5395-94-92 Family Reference Manual](#) for more suggested output settings. Not all combinations of voltage amplitude and common mode voltages settings are possible.

**Differential Output Test Configuration**

3. Measured for 156.25 MHz carrier frequency. 100 mVpp sinewave noise added to VDDO = 3.3 V and noise spur amplitude measured.
4. Measured across two adjacent outputs, both in LVDS mode, with the victim running at 155.52 MHz and the aggressor at 156.25 MHz. Refer to "AN862: Optimizing Si534x Jitter Performance in Next Generation Internet Infrastructure Systems" for guidance on crosstalk optimization. Note that all active outputs must be terminated when measuring crosstalk.

**Table 5.6. LVCMOS Clock Output Specifications**
 $V_{DD} = 1.8\text{ V} \pm 5\%$ ,  $V_{DDA} = 3.3\text{ V} \pm 5\%$ ,  $V_{DDO} = 1.8\text{ V} \pm 5\%$ ,  $2.5\text{ V} \pm 5\%$ , or  $3.3\text{ V} \pm 5\%$ ,  $T_A = -40\text{ to }85\text{ }^\circ\text{C}$ 

| Parameter                              | Symbol                 | Test Condition                              | Min                      | Typ                   | Max | Unit                  |    |
|--|------------------------|---|--------------------------|-----------------------|-----|-----------------------|----|
| Output Frequency                       | $f_{OUT}$              |   | 0.0001                   | —                     | 250 | MHz                   |    |
| Duty Cycle                             | DC                     | $f_{OUT} < 100\text{ MHz}$                  | 48                       | —                     | 52  | %                     |    |
|  |                        | $100\text{ MHz} < f_{OUT} < 250\text{ MHz}$ | 44                       | —                     | 56  | %                     |    |
| Output Voltage High <sup>1, 2, 3</sup> | $V_{OH}$               | $V_{DDO} = 3.3\text{ V}$                    |                          |                       |     |                       |    |
|  |                        | OUTx_CMOS_DRV = 1                           | $I_{OH} = -10\text{ mA}$ | $V_{DDO} \times 0.85$ | —   | —                     | V  |
|  |                        | OUTx_CMOS_DRV = 2                           | $I_{OH} = -12\text{ mA}$ | $V_{DDO} \times 0.85$ | —   | —                     | V  |
|  |                        | OUTx_CMOS_DRV = 3                           | $I_{OH} = -17\text{ mA}$ | $V_{DDO} \times 0.85$ | —   | —                     | V  |
|  |                        | $V_{DDO} = 2.5\text{ V}$                    |                          |                       |     |                       |    |
|  |                        | OUTx_CMOS_DRV = 1                           | $I_{OH} = -6\text{ mA}$  | $V_{DDO} \times 0.85$ | —   | —                     | V  |
|  |                        | OUTx_CMOS_DRV = 2                           | $I_{OH} = -8\text{ mA}$  | $V_{DDO} \times 0.85$ | —   | —                     | V  |
|  |                        | OUTx_CMOS_DRV = 3                           | $I_{OH} = -11\text{ mA}$ | $V_{DDO} \times 0.85$ | —   | —                     | V  |
|  |                        | $V_{DDO} = 1.8\text{ V}$                    |                          |                       |     |                       |    |
|  |                        | OUTx_CMOS_DRV = 2                           | $I_{OH} = -4\text{ mA}$  | $V_{DDO} \times 0.85$ | —   | —                     | V  |
|  |                        | OUTx_CMOS_DRV = 3                           | $I_{OH} = -5\text{ mA}$  | $V_{DDO} \times 0.85$ | —   | —                     | V  |
| Output Voltage Low <sup>1, 2, 3</sup>  | $V_{OL}$               | $V_{DDO} = 3.3\text{ V}$                    |                          |                       |     |                       |    |
|  |                        | OUTx_CMOS_DRV = 1                           | $I_{OL} = 10\text{ mA}$  | —                     | —   | $V_{DDO} \times 0.15$ | V  |
|  |                        | OUTx_CMOS_DRV = 2                           | $I_{OL} = 12\text{ mA}$  | —                     | —   | $V_{DDO} \times 0.15$ | V  |
|  |                        | OUTx_CMOS_DRV = 3                           | $I_{OL} = 17\text{ mA}$  | —                     | —   | $V_{DDO} \times 0.15$ | V  |
|  |                        | $V_{DDO} = 2.5\text{ V}$                    |                          |                       |     |                       |    |
|  |                        | OUTx_CMOS_DRV = 1                           | $I_{OL} = 6\text{ mA}$   | —                     | —   | $V_{DDO} \times 0.15$ | V  |
|  |                        | OUTx_CMOS_DRV = 2                           | $I_{OL} = 8\text{ mA}$   | —                     | —   | $V_{DDO} \times 0.15$ | V  |
|  |                        | OUTx_CMOS_DRV = 3                           | $I_{OL} = 11\text{ mA}$  | —                     | —   | $V_{DDO} \times 0.15$ | V  |
|  |                        | $V_{DDO} = 1.8\text{ V}$                    |                          |                       |     |                       |    |
|  |                        | OUTx_CMOS_DRV = 2                           | $I_{OL} = 4\text{ mA}$   | —                     | —   | $V_{DDO} \times 0.15$ | V  |
| OUTx_CMOS_DRV = 3                      | $I_{OL} = 5\text{ mA}$ | —   | —                        | $V_{DDO} \times 0.15$ | V   |                       |    |
| Rise and Fall Times <sup>3</sup>       | $t_r/t_f$              | (20% to 80%)                                | $V_{DDO} = 3.3\text{ V}$ | —                     | 400 | 600                   | ps |
|  |                        |   | $V_{DDO} = 2.5\text{ V}$ | —                     | 450 | 600                   | ps |
|  |                        |   | $V_{DDO} = 1.8\text{ V}$ | —                     | 550 | 750                   | ps |

| Parameter | Symbol | Test Condition | Min | Typ | Max | Unit |
|-----------|--------|----------------|-----|-----|-----|------|
|-----------|--------|----------------|-----|-----|-----|------|

**Note:**

1. Driver strength is a register programmable setting and stored in NVM. Options are  $OUTx\_CMOS\_DRV = 1, 2, 3$ . Refer to the [Si5395-94-92 Family Reference Manual](#) for more details on register settings.
2.  $I_{OL}/I_{OH}$  is measured at  $V_{OL}/V_{OH}$  as shown in the DC test configuration.

**DC Test Configuration**



3. A series termination resistor ( $R_s$ ) is recommended to help match the source impedance to a  $50\ \Omega$  PCB trace. A  $4.7\ pF$  capacitive load is assumed. The LVCMOS outputs were set to  $OUTx\_CMOS\_DRV = 3$ , at  $156.25\ MHz$ .

**LVCMOS Output Test Configuration**



**Table 5.7. Output Status Pin Specifications**
 $V_{DD} = 1.8\text{ V} \pm 5\%$ ,  $V_{DDA} = 3.3\text{ V} \pm 5\%$ ,  $V_{DDIO}/V_{DDS} = 3.3\text{ V} \pm 5\%$ ,  $1.8\text{ V} \pm 5\%$ ,  $T_A = -40\text{ to }85\text{ }^\circ\text{C}$ 

| Parameter   | Symbol   | Test Condition          | Min                      | Typ | Max                      | Unit |
|---|----------|-------------------------|--------------------------|-----|--------------------------|------|
| <b>Si5395 Status Output Pins (LOLb, INTRb, SDA/SDIO<sup>1</sup>, SDO)</b>   |          |                         |                          |     |                          |      |
| Output Voltage  | $V_{OH}$ | $I_{OH} = -2\text{ mA}$ | $V_{DDIO}^2 \times 0.85$ | —   | —                        | V    |
|   | $V_{OL}$ | $I_{OL} = 2\text{ mA}$  | —                        | —   | $V_{DDIO}^2 \times 0.15$ | V    |
| <b>Si5394/92 Status Output Pins (INTRb, SDA/SDIO<sup>1</sup>, SDO)</b>  |          |                         |                          |     |                          |      |
| Output Voltage  | $V_{OH}$ | $I_{OH} = -2\text{ mA}$ | $V_{DDIO}^2 \times 0.85$ | —   | —                        | V    |
|   | $V_{OL}$ | $I_{OL} = 2\text{ mA}$  | —                        | —   | $V_{DDIO}^2 \times 0.15$ | V    |
| <b>Si5394 Status Output Pins (LOLb, LOS_XAXBb)</b>  |          |                         |                          |     |                          |      |
| <b>Si5392 Status Output Pins (LOLb, LOS_XAXBb, LOS0b, LOS1b, LOS2b, LOS3b)</b>  |          |                         |                          |     |                          |      |
| Output Voltage  | $V_{OH}$ | $I_{OH} = -2\text{ mA}$ | $V_{DDS} \times 0.85$    | —   | —                        | V    |
|   | $V_{OL}$ | $I_{OL} = 2\text{ mA}$  | —                        | —   | $V_{DDS} \times 0.15$    | V    |
| <b>Notes:</b>   |          |                         |                          |     |                          |      |
| 1. The $V_{OH}$ specification does not apply to the open-drain SDA/SDIO output when the serial interface is in I <sup>2</sup> C mode or is unused with I2C_SEL pulled high. VOL remains valid in all cases.   |          |                         |                          |     |                          |      |
| 2. $V_{DDIO}$ is determined by the IO_VDD_SEL bit. It is selectable as $V_{DDA}$ or $V_{DD}$ . See the <a href="#">Si5395-94-92 Family Reference Manual</a> for more details on the proper register settings. |          |                         |                          |     |                          |      |

**Table 5.8. Performance Characteristics**
 $V_{DD} = 1.8\text{ V} \pm 5\%$ ,  $V_{DDA} = 3.3\text{ V} \pm 5\%$ ,  $V_{DDO} = 1.8\text{ V} \pm 5\%$ ,  $2.5\text{ V} \pm 5\%$ , or  $3.3\text{ V} \pm 5\%$ ,  $T_A = -40\text{ to }85\text{ }^\circ\text{C}$ 

| Parameter  | Symbol       | Test Condition   | Min                           | Typ     | Max  | Unit     |    |
|--|--------------|--|-------------------------------|---------|------|----------|----|
| PLL Loop Bandwidth Programming Range <sup>1</sup>            | $f_{BW}$     |  | 0.1                           | —       | 4000 | Hz       |    |
| Initial Start-Up Time  | $t_{START}$  | Time from power-up to when the device generates free-running clocks  | Grade A/B/C/D/J/K/L/M         | —       | 30   | 45       | ms |
|  |              |  | Grade P/E                     | —       | 460  | 625      | ms |
| PLL Lock Time <sup>2</sup>                                   | $t_{ACQ}$    | With Fastlock enabled, $f_{IN} = 19.44\text{ MHz}$   | —                             | 280     | 300  | ms       |    |
| Output Dynamic Delay Adjustment                              | $t_{DELAY}$  | $f_{VCO} = 14\text{ GHz}$  | —                             | 71.4    | —    | ps       |    |
|  | $t_{RANGE}$  |  | —                             | $\pm 1$ | —    | ms       |    |
| POR to Serial Interface Ready <sup>3</sup>                   | $t_{RDY}$    |  | —                             | —       | 15   | ms       |    |
| Maximum Phase Transient During a Hitless Switch <sup>4</sup> | $t_{SWITCH}$ | Single automatic/manual switch between two 8 kHz inputs, DSPLL BW = 40 Hz  | —                             | —       | 1.5  | ns       |    |
|  |              | Single automatic/manual switch between two 2 MHz inputs, DSPLL BW = 400 Hz   | —                             | —       | 0.3  | ns       |    |
| Zero Delay Mode Input-to-Output Delay Variation <sup>5</sup> | $t_{ZDELAY}$ | Between reference and feedback input with both clocks in LVDS differential format at 128 kHz.                        | —                             | —       | 0.20 | ns       |    |
| Jitter Peaking   | $J_{PK}$     | Measured with a frequency plan running a 25 MHz input, 25 MHz output, and a Loop Bandwidth of 4 Hz                   | —                             | —       | 0.1  | dB       |    |
| Jitter Tolerance   | $J_{TOL}$    | Compliant with G.8262 Options 1 and 2 for 1G, 10G or 25G Synchronous Ethernet<br>Jitter Modulation Frequency = 10 Hz | —                             | 3180    | —    | UI pk-pk |    |
| Pull-in Range  | $\omega_P$   |  | —                             | 500     | —    | ppm      |    |
| RMS Phase Jitter (Grade P) <sup>6</sup>                      | $J_{GEN}$    | $f_{in} = f_{out} = 312.5\text{ MHz}$ or $156.25\text{ MHz}$   | —                             | 75      | 100  | fs       |    |
|  |              | $f_{in} = 25\text{ MHz}$   | $f_{out} = 156.25\text{ MHz}$ | —       | 69   | 90       | fs |
|  |              |  | $f_{out} = 312.5\text{ MHz}$  | —       | 69   | 95       | fs |
|  |              |  | $f_{out} = 100\text{ MHz}$    | —       | 150  | 200      | fs |
|  |              |  | $f_{out} = 50/25\text{ MHz}$  | —       | 200  | 300      | fs |
| $f_{out} = 644.531248\text{ MHz}$                            | —            | 80   | —                             | fs      |      |          |    |
| RMS Phase Jitter (Grade E) <sup>6</sup>                      | $J_{GEN}$    | $f_{in} = f_{out} = 312.5\text{ MHz}$ or $156.25\text{ MHz}$   | —                             | 82      | 110  | fs       |    |
|  |              | $f_{in} = 25\text{ MHz}$   | $f_{out} = 156.25\text{ MHz}$ | —       | 71   | 100      | fs |
|  |              |  | $f_{out} = 312.5\text{ MHz}$  | —       | 75   | 105      | fs |
|  |              |  | $f_{out} = 100\text{ MHz}$    | —       | 150  | 200      | fs |
|  |              |  | $f_{out} = 50/25\text{ MHz}$  | —       | 200  | 300      | fs |
| $f_{out} = 644.531248\text{ MHz}$                            | —            | 85   | —                             | fs      |      |          |    |

| Parameter   | Symbol           | Test Condition                          | Min | Typ | Max | Unit |
|---|------------------|---|-----|-----|-----|------|
| RMS Phase Jitter<br>(Grade A/B/C/D and<br>J/K/L/M) <sup>7</sup> | J <sub>GEN</sub> | Output divider Integer Mode             | —   | 85  | 120 | fs   |
|   |                  | Output divider Fractional Mode/DCO Mode | —   | 115 | 170 | fs   |

**Note:**

- Actual loop bandwidth might be lower; please refer to CBPro for actual value for your frequency plan.
- Lock Time can vary significantly depending on several parameters, such as bandwidths, LOL thresholds, etc. For this case, lock time was measured with nominal bandwidth set to 100 Hz, fastlock bandwidth set to 1 kHz, LOL set/clear thresholds of 6/0.6 ppm respectively, using IN0 as clock reference by removing the reference and enabling it again, then measuring the delta time between the first rising edge of the clock reference and the LOL indicator deassertion.
- Measured as time from valid VDD/VDDA rails (90% of their value) to when the serial interface is ready to respond to commands.
- Higher input frequencies will typically result in higher F<sub>pdf</sub> frequencies, which, in turn, will result in better hitless switching performance. It is recommended to use higher input frequencies for the best hitless switching performance.
- Zero-Delay-Mode is dependent on frequency configuration. Using F<sub>pdf</sub> < 128 kHz will result in higher delay values. Ref clock rise time must be <200 ps. Initial Start-Up time can be much higher in Zero Delay mode.
- Grade P and E are calibrated for optimum performance in 56G/112G SerDes applications at frequencies of 312.5 MHz or 156.25 MHz. Specific layout rules must be followed to achieve optimum performance. For more details, refer to [4.9.2 Grades P and E](#) and the reference manual.
- Grades A/B/C/D and J/K/L/M are targeted for applications that require more flexibility and set the output divider to Integer or Fractional modes. Integer mode test conditions: f<sub>in</sub> = 19.44 MHz; f<sub>out</sub> = 155.52 MHz. Fractional mode test conditions: f<sub>in</sub> = 19.44 MHz; f<sub>out</sub> = 125 MHz. All outputs are assumed to be LVPECL. For more details, refer to [4.9.1 Grade A/B/C/D and J/K/L/M](#).

**Table 5.9. I<sup>2</sup>C Timing Specifications (SCL, SDA)**

V<sub>DD</sub> = 1.8 V ±5%, V<sub>DDA</sub> = 3.3 V ±5%, V<sub>DDS</sub>/V<sub>DDIO</sub> = 3.3 V ±5%, 1.8 V ±5%, T<sub>A</sub> = -40 to 85 °C

| Parameter   | Symbol              | Test Condition | Standard Mode<br>100 kbps |      | Fast Mode<br>400 kbps |     | Unit |
|---|---------------------|----------------|---------------------------|------|-----------------------|-----|------|
|   |                     |                | Min                       | Max  | Min                   | Max |      |
| SCL Clock Frequency                                 | f <sub>SCL</sub>    |                | —                         | 100  | —                     | 400 | kHz  |
| SMBus Timeout                                       | —                   |                | 25                        | 35   | 25                    | 35  | ms   |
| Hold time (Repeated)<br>START condition             | t <sub>HD:STA</sub> |                | 4.0                       | —    | 0.6                   | —   | µs   |
| Low Period of the SCL Clock                         | t <sub>LOW</sub>    |                | 4.7                       | —    | 1.3                   | —   | µs   |
| HIGH Period of the SCL<br>Clock                     | t <sub>HIGH</sub>   |                | 4.0                       | —    | 0.6                   | —   | µs   |
| Setup Time for a Repeated<br>START Condition        | t <sub>SU:STA</sub> |                | 4.7                       | —    | 0.6                   | —   | µs   |
| Data Hold Time                                      | t <sub>HD:DAT</sub> |                | 100                       | —    | 100                   | —   | ns   |
| Data Setup Time                                     | t <sub>SU:DAT</sub> |                | 250                       | —    | 100                   | —   | ns   |
| Rise Time of both SDA and<br>SCL Signals            | t <sub>r</sub>      |                | —                         | 1000 | 20                    | 300 | ns   |
| Fall Time of both SDA and<br>SCL Signals            | t <sub>f</sub>      |                | —                         | 300  | —                     | 300 | ns   |
| Setup Time for STOP Condi-<br>tion                  | t <sub>SU:STO</sub> |                | 4.0                       | —    | 0.6                   | —   | µs   |
| Bus Free Time between a<br>STOP and START Condition | t <sub>BUF</sub>    |                | 4.7                       | —    | 1.3                   | —   | µs   |
| Data Valid Time                                     | t <sub>VD:DAT</sub> |                | —                         | 3.45 | —                     | 0.9 | µs   |

| Parameter                   | Symbol       | Test Condition | Standard Mode<br>100 kbps |      | Fast Mode<br>400 kbps |     | Unit    |
|-----------------------------|--------------|----------------|---------------------------|------|-----------------------|-----|---------|
|                             |              |                | Min                       | Max  | Min                   | Max |         |
| Data Valid Acknowledge Time | $t_{VD:ACK}$ |                | —                         | 3.45 | —                     | 0.9 | $\mu s$ |



Figure 5.1. I<sup>2</sup>C Serial Port Timing Standard and Fast Modes

**Table 5.10. SPI Timing Specifications (4-Wire)**
 $V_{DD} = 1.8\text{ V} \pm 5\%$ ,  $V_{DDA} = 3.3\text{ V} \pm 5\%$ ,  $V_{DDIO} = 3.3\text{ V} \pm 5\%$ ,  $1.8\text{ V} \pm 5\%$ ,  $T_A = -40\text{ to }85\text{ }^\circ\text{C}$ 

| Parameter                             | Symbol           | Min | Typ                           | Max | Unit |
|---------------------------------------|------------------|-----|-------------------------------|-----|------|
| SCLK Frequency                        | $f_{\text{SPI}}$ | —   | —                             | 20  | MHz  |
| SCLK Duty Cycle                       | $T_{\text{DC}}$  | 40  | —                             | 60  | %    |
| SCLK Period                           | $T_{\text{C}}$   | 50  | —                             | —   | ns   |
| Delay Time, SCLK Fall to SDO Active   | $T_{\text{D1}}$  | —   | 12.5                          | 18  | ns   |
| Delay Time, SCLK Fall to SDO          | $T_{\text{D2}}$  | —   | 10                            | 15  | ns   |
| Delay Time, CSb Rise to SDO Tri-State | $T_{\text{D3}}$  | —   | 10                            | 15  | ns   |
| Setup Time, CSb to SCLK               | $T_{\text{SU1}}$ | 5   | —                             | —   | ns   |
| Hold Time, SCLK Fall to CSb           | $T_{\text{H1}}$  | 5   | —                             | —   | ns   |
| Setup Time, SDI to SCLK Rise          | $T_{\text{SU2}}$ | 5   | — </td <td>—</td> <td>ns</td> | —   | ns   |
| Hold Time, SDI to SCLK Rise           | $T_{\text{H2}}$  | 5   | —                             | —   | ns   |
| Delay Time Between Chip Selects (CSb) | $T_{\text{CS}}$  | 95  | —                             | —   | ns   |

**Figure 5.2. 4-Wire SPI Serial Interface Timing**

**Table 5.11. SPI Timing Specifications (3-Wire)**
 $V_{DD} = 1.8\text{ V} \pm 5\%$ ,  $V_{DDA} = 3.3\text{ V} \pm 5\%$ ,  $V_{DDIO} = 3.3\text{ V} \pm 5\%$ ,  $1.8\text{ V} \pm 5\%$ ,  $T_A = -40\text{ to }85\text{ }^\circ\text{C}$ 

| Parameter                              | Symbol           | Min | Typ  | Max | Unit |
|--|------------------|-----|------|-----|------|
| SCLK Frequency                         | $f_{\text{SPI}}$ | —   | —    | 20  | MHz  |
| SCLK Duty Cycle                        | $T_{\text{DC}}$  | 40  | —    | 60  | %    |
| SCLK Period                            | $T_{\text{C}}$   | 50  | —    | —   | ns   |
| Delay Time, SCLK Fall to SDIO Turn-on  | $T_{\text{D1}}$  | —   | 12.5 | 18  | ns   |
| Delay Time, SCLK Fall to SDIO Next-bit | $T_{\text{D2}}$  | —   | 10   | 15  | ns   |
| Delay Time, CSb Rise to SDIO Tri-State | $T_{\text{D3}}$  | —   | 10   | 15  | ns   |
| Setup Time, CSb to SCLK                | $T_{\text{SU1}}$ | 5   | —    | —   | ns   |
| Hold Time, CSb to SCLK Fall            | $T_{\text{H1}}$  | 5   | —    | —   | ns   |
| Setup Time, SDI to SCLK Rise           | $T_{\text{SU2}}$ | 5   | —    | —   | ns   |
| Hold Time, SDI to SCLK Rise            | $T_{\text{H2}}$  | 5   | —    | —   | ns   |
| Delay Time Between Chip Selects (CSb)  | $T_{\text{CS}}$  | 95  | —    | —   | ns   |

**Figure 5.3. 3-Wire SPI Serial Interface Timing**

**Table 5.12. External Crystal Specifications for Grades A/B/C/D/P**

| Parameter   | Symbol                  | Test Condition   | Min   | Typ | Max   | Unit |
|---|-------------------------|--|-------|-----|-------|------|
| Crystal Frequency Range                           | $f_{XTAL}$<br>(A/B/C/D) | Full operating range. Jitter performance may be reduced.   | 24.97 | —   | 54.06 | MHz  |
|   |                         | Range for best jitter.   | 48    | —   | 54    | MHz  |
|   | $f_{XTAL}$ (P)          | ±100 ppm crystal   | 48    | —   | 48    | MHz  |
| Load Capacitance                                  | $C_L$                   |  | —     | 8   | —     | pF   |
| Crystal Drive Level                               | $d_L$                   |  | —     | —   | 200   | μW   |
| Equivalent Series Resistance<br>Shunt Capacitance | $r_{ESR}$<br>$C_O$      | Refer to the <a href="#">Si5395-94-92 Family Reference Manual</a> to determine ESR and shunt capacitance values. |       |     |       |      |

**Note:**

1. Refer to the Si534x/8x/9x Jitter Attenuators Recommended Crystal, TCXO and OCXOs Reference Manual for recommended 48 to 54 MHz crystals.

**Table 5.13. Internal Reference Specifications for Grade J/K/L/M/E<sup>1, 2</sup>**

| Parameter                                    | Symbol | Test Condition   | Min | Typ | Max | Unit |
|--|--------|--|-----|-----|-----|------|
| Initial Accuracy                             | —      |  | -8  | —   | +8  | ppm  |
| Frequency Characteristics across Temperature | —      | Inclusive of temperature range of -40 to 125 °C, aging at 115 °C and reflow  | -88 | —   | +88 | ppm  |
| Activity Dip                                 | —      | Frequency Perturbations  | -2  | —   | +2  | ppm  |
| Overall Accuracy                             | —      | Inclusive of Initial Accuracy, Frequency Characteristics Across Temperature and Activity Dips (all items listed above) | -98 | —   | +98 | ppm  |

**Note:**

1. These devices with integrated reference have been tuned with an internal 48 MHz reference to deliver optimum performance. It is important to note that connecting an external reference to a device that already has an integrated reference is not allowed. Doing so could lead to internal damage to the circuits.
2. Clocks that feature the integrated crystal may require a slightly longer settling time compared to the external crystal device. See the Reference Manual for more details.

**Table 5.14. Thermal Characteristics 44-QFN and 44-LGA (Si5392 and Si5394)**

| Parameter                                    | Symbol        | Test Condition                 | 44-QFN | 44-LGA | Unit |
|--|---------------|--------------------------------|--------|--------|------|
| Thermal Resistance<br>Junction to Ambient    | $\theta_{JA}$ | Still Air <sup>1, 2</sup>      | 22.3   | 25.49  | °C/W |
|  |               | Air Flow 1 m/s <sup>1, 2</sup> | 19.4   | 22.14  | °C/W |
|  |               | Air Flow 2 m/s <sup>1, 2</sup> | 18.4   | 21.13  | °C/W |
| Thermal Resistance<br>Junction to Case       | $\theta_{JC}$ |                                | 10.9   | 9.87   | °C/W |
| Thermal Resistance<br>Junction to Board      | $\theta_{JB}$ |                                | 9.3    | 9.52   | °C/W |
|  | $\Psi_{JB}$   |                                | 9.2    | 9.58   | °C/W |
| Thermal Resistance<br>Junction to Top Center | $\Psi_{JT}$   |                                | 0.23   | 0.81   | °C/W |

**Note:**  
1. 44-QFN: Based on PCB Dimension: 3" x 4.5" PCB Thickness: 1.6 mm, PCB Land/Via: 36, Number of Cu Layers: 4.  
2. 44-LGA: Based on 4 layer PCB with dimension 4" x 4.5", PCB Thickness of 1.6 mm, per JEDEC. PCB Center Land with 16 Via to top internal plane of PCB.

**Table 5.15. Thermal Characteristics 64-QFN and 64-LGA (Si5395)**

| Parameter                                    | Symbol        | Test Condition                 | 64-QFN | 64-LGA | Unit |
|--|---------------|--------------------------------|--------|--------|------|
| Thermal Resistance<br>Junction to Ambient    | $\theta_{JA}$ | Still Air <sup>1, 2</sup>      | 22     | 22.3   | °C/W |
|  |               | Air Flow 1 m/s <sup>1, 2</sup> | 19.4   | 19.4   | °C/W |
|  |               | Air Flow 2 m/s <sup>1, 2</sup> | 18.3   | 18.4   | °C/W |
| Thermal Resistance<br>Junction to Case       | $\theta_{JC}$ |                                | 9.5    | 10.9   | °C/W |
| Thermal Resistance<br>Junction to Board      | $\theta_{JB}$ |                                | 9.4    | 9.3    | °C/W |
|  | $\Psi_{JB}$   |                                | 9.3    | 9.2    | °C/W |
| Thermal Resistance<br>Junction to Top Center | $\Psi_{JT}$   |                                | 0.2    | 0.23   | °C/W |

**Note:**  
1. 64-QFN: Based on PCB Dimension: 3" x 4.5" PCB Thickness: 1.6 mm, PCB Land/Via: 36, Number of Cu Layers: 4.  
2. 64-LGA: Based on 4 layer PCB with dimension 4" x 4.5", PCB Thickness of 1.6 mm, per JEDEC. PCB Center Land with 16 Via to top internal plane of PCB.

**Table 5.16. Absolute Maximum Ratings** <sup>1, 2, 3</sup>

| Parameter  | Symbol                | Test Condition   | Value            | Unit               |
|--|-----------------------|--|------------------|--------------------|
| DC Supply Voltage  | $V_{DD}$              |  | –0.5 to 3.8      | V                  |
|  | $V_{DDA}$             |  | –0.5 to 3.8      | V                  |
|  | $V_{DDO}$             |  | –0.5 to 3.8      | V                  |
|  | $V_{DDS}$             |  | –0.5 to 3.8      | V                  |
| Input Voltage Range  | $V_{I1}$ <sup>4</sup> | IN0–IN3/FB_IN  | –1.0 to 3.8      | V                  |
|  | $V_{I2}$              | IN_SEL1, IN_SEL0, RSTb,<br>OEb, I2C_SEL, FINC, FDEC,<br>SDI, SCLK, A0/CSb, A1,<br>SDA/SDIO | –0.5 to 3.8      | V                  |
|  | $V_{I3}$              | XA/XB  | –0.5 to 2.7      | V                  |
| Latch-up Tolerance   | LU                    |  | JESD78 Compliant |                    |
| ESD Tolerance  | HBM                   | 100 pF, 1.5 k $\Omega$   | 2.0              | kV                 |
| Storage Temperature Range  | $T_{STG}$             |  | –55 to 150       | $^{\circ}\text{C}$ |
| Maximum Junction Temperature in Operation                                  | $T_{JCT}$             |  | 125              | $^{\circ}\text{C}$ |
| Soldering Temperature<br>(Pb-free profile) <sup>5</sup>                    | $T_{PEAK}$            |  | 260              | $^{\circ}\text{C}$ |
| Soldering Temperature Time at $T_{PEAK}$<br>(Pb-free profile) <sup>5</sup> | $T_P$                 |  | 20–40            | s                  |

**Note:**

1. Permanent device damage may occur if the absolute maximum ratings are exceeded. Functional operation should be restricted to the conditions as specified in the operational sections of this data sheet. Exposure to absolute maximum rating conditions for extended periods may affect device reliability.
2. 64-QFN/LGA and 44-QFN/LGA packages are RoHS compliant.
3. For detailed packaging information, go to <https://www.skyworksinc.com/>.
4. The minimum voltage at these pins can be as low as –1.0 V when an ac input signal of 8 kHz or greater is applied. See [Table 5.3 Input Clock Specifications on page 26](#) for single-ended ac-coupled  $f_{IN} < 250$  MHz.
5. The device is compliant with JEDEC J-STD-020.

## 6. Typical Application Schematic



Figure 6.1. Typical 56G SerDes Application



Figure 6.2. SyncE Line Card

7. Detailed Block Diagrams



Figure 7.1. Si5392/94/95 Block Diagram

## 8. Typical Operating Characteristics

The phase noise plots below were taken under the following conditions:  $V_{DD} = 1.8\text{ V}$ ;  $V_{DDA} = 3.3\text{ V}$ ;  $V_{DDS} = 3.3\text{ V}, 1.8\text{ V}$ ;  $T_A = 25\text{ }^\circ\text{C}$ .



Figure 8.1. Input = 25 MHz; Output = 156.25 MHz, 2.5 V LVDS (Si539x P-Grade)



Figure 8.2. Input = 25 MHz; Output = 156.25 MHz, 2.5 V LVDS (Si539x E-Grade)



Figure 8.3. Input = 25 MHz; Output = 312.5 MHz, 2.5 V LVDS (Integer Mode)



Figure 8.4. Input = 25 MHz; Output = 155.52 MHz, 2.5 V LVDS (Fractional Mode)



Table 9.1. Si5395/94/92 Pin Descriptions

| Pin Name      | Pin Number |        |        | Pin Type <sup>1</sup> | Function   |
|---------------|------------|--------|--------|-----------------------|--|
|               | Si5395     | Si5394 | Si5392 |                       |  |
| <b>Inputs</b> |            |        |        |                       |  |
| XA/NC         | 8          | 5      | 5      | I                     | <b>Crystal Input for Grade A/B/C/D/P.</b> Input pins for external crystal (XTAL). Alternatively these pins can be driven with an external reference clock (REFCLK). An internal register bit selects XTAL or REFCLK mode. Default is XTAL mode.  |
| XB/NC         | 9          | 6      | 6      | I                     |  |
| X1/NC         | 7          | 4      | 4      | I                     | <b>XTAL Shield for Grade A/B/C/D/P.</b> Connect these pins directly to the XTAL ground pins. X1, X2 and the XTAL ground pins should be separated from the PCB ground plane. Refer to the <a href="#">Si5395-94-92 Family Reference Manual</a> for layout guidelines.   |
| X2/NC         | 10         | 7      | 7      | I                     |  |
| IN0           | 63         | 43     | 43     | I                     | <b>Clock Inputs.</b> These pins accept an input clock for synchronizing the device. They support both differential and single-ended clock signals. Refer to the <a href="#">Si5395-94-92 Family Reference Manual</a> for input termination options. These pins are high-impedance and must be terminated externally. The negative side of the differential input must be grounded through a capacitor when accepting a single-ended clock. |
| IN0b          | 64         | 44     | 44     | I                     |  |
| IN1           | 1          | 1      | 1      | I                     |  |
| IN1b          | 2          | 2      | 2      | I                     |  |
| IN2           | 14         | 10     | 10     | I                     |  |
| IN2b          | 15         | 11     | 11     | I                     |  |
| IN3/FB_IN     | 61         | 41     | 41     | I                     | <b>Clock Input 3/External Feedback Input.</b> By default these pins are used as the fourth clock input (IN3/IN3b). They can also be used as the external feedback input (FB_IN/FB_INb) for the optional zero delay mode. See <a href="#">4.9.13 Zero Delay Mode (Grades A/B/C/D and J/K/L/M )</a> for details on the optional zero delay mode.   |
| IN3b/FB_INb   | 62         | 42     | 42     | I                     |  |

Table 9.2. Si5395/94/92 Pin Descriptions

| Pin Name                | Pin Number |        |        | Pin Type <sup>1</sup> | Function  |
|-------------------------|------------|--------|--------|-----------------------|---|
|                         | Si5395     | Si5394 | Si5392 |                       |   |
| <b>Outputs</b>          |            |        |        |                       |   |
| OUT0Ab                  | 20         | —      | —      | O                     | <p><b>Output Clocks.</b> These output clocks support a programmable signal swing and common mode voltage. Desired output signal format is configurable using register control. Termination recommendations are provided in the <a href="#">Si5395-94-92 Family Reference Manual</a>. Unused outputs should be left unconnected.</p> |
| OUT0A                   | 21         | —      | —      | O                     |   |
| OUT0                    | 24         | 20     | 20     | O                     |   |
| OUT0b                   | 23         | 19     | 19     | O                     |   |
| OUT1                    | 28         | 25     | 25     | O                     |   |
| OUT1b                   | 27         | 24     | 24     | O                     |   |
| OUT2                    | 31         | 31     | —      | O                     |   |
| OUT2b                   | 30         | 30     | —      | O                     |   |
| OUT3                    | 35         | 36     | —      | O                     |   |
| OUT3b                   | 34         | 35     | —      | O                     |   |
| OUT4                    | 38         | —      | —      | O                     |   |
| OUT4b                   | 37         | —      | —      | O                     |   |
| OUT5                    | 42         | —      | —      | O                     |   |
| OUT5b                   | 41         | —      | —      | O                     |   |
| OUT6                    | 45         | —      | —      | O                     |   |
| OUT6b                   | 44         | —      | —      | O                     |   |
| OUT7                    | 51         | —      | —      | O                     |   |
| OUT7b                   | 50         | —      | —      | O                     |   |
| OUT8                    | 54         | —      | —      | O                     |   |
| OUT8b                   | 53         | —      | —      | O                     |   |
| OUT9                    | 56         | —      | —      | O                     |   |
| OUT9b                   | 55         | —      | —      | O                     |   |
| OUT9A                   | 59         | —      | —      | O                     |   |
| OUT9Ab                  | 58         | —      | —      | O                     |   |
| <b>Serial Interface</b> |            |        |        |                       |   |
| I2C_SEL                 | 39         | 38     | 38     | I                     | <p><b>I<sup>2</sup>C Select<sup>2</sup>.</b> This pin selects the serial interface mode as I<sup>2</sup>C (I2C_SEL = 1) or SPI (I2C_SEL = 0). This pin is internally pulled up by a ~ 20 kΩ resistor to the voltage selected by the IO_VDD_SEL register bit.</p>  |

| Pin Name              | Pin Number |        |        | Pin Type <sup>1</sup> | Function  |
|-----------------------|------------|--------|--------|-----------------------|---|
|                       | Si5395     | Si5394 | Si5392 |                       |   |
| SDA/SDIO              | 18         | 13     | 13     | I/O                   | <p><b>Serial Data Interface<sup>2</sup></b></p> <p>This is the bidirectional data pin (SDA) for the I<sup>2</sup>C mode, or the bidirectional data pin (SDIO) in the 3-wire SPI mode, or the input data pin (SDI) in 4-wire SPI mode. When in I<sup>2</sup>C mode, this pin is an open-drain output and must be pulled up using an external resistor of at least 1 kΩ. No pull-up resistor is needed when in SPI mode as the output is a push-pull driver. Tie low when unused.</p> |
| A1/SDO                | 17         | 15     | 15     | I/O                   | <p><b>Address Select 1/Serial Data Output<sup>2</sup></b></p> <p>In I<sup>2</sup>C mode, this pin is open-drain and functions as the A1 address input pin. It does not have an internal pull-up or pull-down resistor. In 4-wire SPI mode this output is a push-pull driver and functions as the serial data output (SDO) pin. It drives high to the voltage selected by the IO_VDD_SEL bit. Leave disconnected when unused.</p>  |
| SCLK                  | 16         | 14     | 14     | I                     | <p><b>Serial Clock Input<sup>2</sup></b></p> <p>This pin functions as the serial clock input for both I<sup>2</sup>C and SPI modes. When in I<sup>2</sup>C mode, this pin must be pulled-up using an external resistor of at least 1 kΩ. No pull-up resistor is needed when in SPI mode. Tie high or low when unused.</p>   |
| A0/CSb                | 19         | 16     | 16     | I                     | <p><b>Address Select 0/Chip Select<sup>2</sup></b></p> <p>This pin functions as the hardware controlled address A0 in I<sup>2</sup>C mode. In SPI mode, this pin functions as the chip select input (active low). This pin is internally pulled-up by a ~20 kΩ resistor and can be left unconnected when not in use.</p>  |
| <b>Control/Status</b> |            |        |        |                       |   |
| INTRb                 | 12         | 33     | 33     | O                     | <p><b>Interrupt<sup>2</sup></b></p> <p>This pin is asserted low when a change in device status has occurred. It should be left unconnected when not in use.</p>   |
| RSTb                  | 6          | 17     | 17     | I                     | <p><b>Device Reset<sup>2</sup></b></p> <p>Active low input that performs power-on reset (POR) of the device. Resets all internal logic to a known state and forces the device registers to their default values. Clock outputs are disabled during reset. This pin is internally pulled-up and can be left unconnected when not in use.</p>   |
| OEB                   | 11         | 12     | 12     | I                     | <p><b>Output Enable<sup>2</sup></b></p> <p>This pin disables all outputs when held high. This pin is internally pulled low and can be left unconnected when not in use.</p>   |
| LOLb                  | 47         | —      | —      | O                     | <p><b>Loss of Lock (Si5395)<sup>2</sup></b></p> <p>This output pin indicates when the DSPLL is locked (high) or out-of-lock (low). It can be left unconnected when not in use.</p>  |
|                       | —          | 27     | 27     | O                     | <p><b>Loss of Lock (Si5394/92)<sup>3</sup></b></p> <p>This output pin indicates when the DSPLL is locked (high) or out-of-lock (low). It can be left unconnected when not in use.</p>   |

| Pin Name     | Pin Number |        |        | Pin Type <sup>1</sup> | Function  |
|--------------|------------|--------|--------|-----------------------|---|
|              | Si5395     | Si5394 | Si5392 |                       |   |
| LOS0b        | —          | —      | 30     | O                     | <b>Loss of Signal for IN0<sup>3</sup></b><br>This pin indicate a loss of clock at the IN0 pin when low.   |
| LOS1b        | —          | —      | 31     | O                     | <b>Loss of Signal for IN1<sup>3</sup></b><br>This pin indicate a loss of clock at the IN1 pin when low.   |
| LOS2b        | —          | —      | 35     | O                     | <b>Loss of Signal for IN2<sup>3</sup></b><br>This pin indicate a loss of clock at the IN2 pin when low.   |
| LOS3b        | —          | —      | 36     | O                     | <b>Loss of Signal for IN3<sup>3</sup></b><br>This pin indicate a loss of clock at the IN3 pin when low.   |
| LOS_XAXBb    | —          | 28     | 28     | O                     | <b>Loss of Signal on XA/XB Pins<sup>3</sup></b><br>This pin indicates a loss of signal at the XA/XB pins when low.  |
| FINC         | 48         | —      | —      | I                     | <b>Frequency Increment Pin<sup>2</sup></b><br>This pin is used to step-up the output frequency of a selected output. The affected output and its frequency change step size is register configurable. This pin is internally pulled low and can be left unconnected when not in use.          |
| FDEC         | 25         | —      | —      | I                     | <b>Frequency Decrement Pin<sup>2</sup></b><br>This pin is used to step-down the output frequency of a selected output. The affected output driver and its frequency change step size is register configurable. This pin is internally pulled low and can be left unconnected when not in use. |
| IN_SEL0      | 3          | 3      | 3      | I                     | <b>Input Reference Select<sup>2</sup></b><br>The IN_SEL[1:0] pins are used in manual pin controlled mode to select the active clock input as shown in <a href="#">Table 4.1 Manual Input Selection Using IN_SEL[1:0] Pins on page 13</a> . These pins are internally pulled low.              |
| IN_SEL1      | 4          | 37     | 37     | I                     |   |
| RSVD         | 5          | —      | —      | —                     | <b>Reserved</b><br>These pins are connected to the die. Leave disconnected.   |
| NC           | —          | 22     | 22     | —                     | <b>No Connect</b><br>These pins are not connected to the die. Leave disconnected.   |
| <b>Power</b> |            |        |        |                       |   |
| VDD          | 32         | 21     | 21     | P                     | <b>Core Supply Voltage</b><br>The device operates from a 1.8 V supply. A 1.0 µF bypass capacitor should be placed very close to this pin. See the <a href="#">Si5395-94-92 Family Reference Manual</a> for power supply filtering recommendations.  |
|              | 46         | 32     | 32     | P                     |   |
|              | 60         | 39     | 39     | P                     |   |
|              | —          | 40     | 40     | P                     |   |
| VDDA         | 13         | 8      | 8      | P                     | <b>Core Supply Voltage 3.3 V</b><br>This core supply pin requires a 3.3 V power source. A 1 µF bypass capacitor should be placed very close to this pin. See the <a href="#">Si5395-94-92 Family Reference Manual</a> for power supply filtering recommendations.                             |
|              | —          | 9      | 9      | P                     |   |

| Pin Name | Pin Number |        |        | Pin Type <sup>1</sup> | Function  |
|----------|------------|--------|--------|-----------------------|---|
|          | Si5395     | Si5394 | Si5392 |                       |   |
| VDDS     | —          | 26     | 26     | P                     | <b>Status Output Voltage</b>  |
|          | —          | —      | 29     | P                     | The voltage on this pin determines VOL/VOH on the Si5392/94 LOLb and LOL_XAXBb. It also determines the levels on the LOS0b, LOS1b, LOS2b, and LOS3b outputs of the Si5392. Connect to either 3.3 V or 1.8 V. A 1.0 $\mu$ F bypass capacitor should be placed very close to this pin. This voltage must match the IO operating voltage selected for the frequency plan in CBPro. |
|          | —          | —      | 34     | P                     |   |
| VDDO0    | 22         | 18     | 18     | P                     | <b>Output Clock Supply Voltage</b><br><br>Supply voltage (3.3 V, 2.5 V, 1.8 V) for OUTn, OUTn outputs. For unused outputs, leave VDDO pins unconnected. An alternative option is to connect the VDDO pin to a power supply and disable the output driver to minimize current consumption.   |
| VDDO1    | 26         | 23     | 23     | P                     |   |
| VDDO2    | 29         | 29     | —      | P                     |   |
| VDDO3    | 33         | 34     | —      | P                     |   |
| VDDO4    | 36         | —      | —      | P                     |   |
| VDDO5    | 40         | —      | —      | P                     |   |
| VDDO6    | 43         | —      | —      | P                     |   |
| VDDO7    | 49         | —      | —      | P                     |   |
| VDDO8    | 52         | —      | —      | P                     |   |
| VDDO9    | 57         | —      | —      | P                     |   |
| GND PAD  | —          | —      | —      | P                     | <b>Ground Pad</b><br><br>This pad provides connection to ground and must be connected for proper operation. Use as many vias as practical, and keep the via length to an internal ground plane as short as possible.  |

**Note:**

1. I = Input, O = Output, P = Power.
2. The IO\_VDD\_SEL control bit (0x0943 bit 0) selects 3.3 V or 1.8 V operation.
3. The voltage on the VDDS pin(s) determines 3.3 V or 1.8 V operation.
4. Refer to the [Si5395-94-92 Family Reference Manual](#) for more information on register setting names.
5. All status pins except I<sup>2</sup>C and SPI are push-pull.

## 10. Package Outlines

### 10.1 Si5395 A/B/C/D/P (External Reference) 9x9 mm 64-QFN Package Diagram

The following figure illustrates the package details for the Si5395 A/B/C/D/P. The table lists the values for the dimensions shown in the illustration.



Figure 10.1. 64-Pin Quad Flat No-Lead (QFN)

Table 10.1. Package Dimensions

| Dimension | Min      | Nom  | Max  |
|-----------|----------|------|------|
| A         | 0.80     | 0.85 | 0.90 |
| A1        | 0.00     | 0.02 | 0.05 |
| b         | 0.18     | 0.25 | 0.30 |
| D         | 9.00 BSC |      |      |
| D2        | 5.10     | 5.20 | 5.30 |
| e         | 0.50 BSC |      |      |
| E         | 9.00 BSC |      |      |
| E2        | 5.10     | 5.20 | 5.30 |
| L         | 0.30     | 0.40 | 0.50 |
| aaa       | —        | —    | 0.10 |
| bbb       | —        | —    | 0.10 |
| ccc       | —        | —    | 0.08 |
| ddd       | —        | —    | 0.10 |

**Note:**

1. All dimensions shown are in millimeters (mm) unless otherwise noted.
2. Dimensioning and Tolerancing per ANSI Y14.5M-1994.
3. This drawing conforms to the JEDEC Solid State Outline MO-220.
4. Recommended card reflow profile is per the JEDEC/IPC J-STD-020 specification for Small Body Components.

## 10.2 Si5395 J/K/L/M/E (Internal Reference) 9x9 mm 64-LGA Package Diagram

The following figure illustrates the package details for the Si5395 J/K/L/M/E. The table lists the values for the dimensions shown in the illustration.



Figure 10.2. 64-Pin LGA

Table 10.2. Package Dimensions

| Dimension | Min       | Nom   | Max   |
|-----------|-----------|-------|-------|
| A         | 0.9       | 1     | 1.1   |
| A1        | 0.26 REF  |       |       |
| A2        | 0.70 REF  |       |       |
| b         | 0.2       | 0.25  | 0.3   |
| b1        | 0.8       | 0.85  | 0.9   |
| D         | 9 BSC     |       |       |
| E         | 9 BSC     |       |       |
| e         | 0.5 BSC   |       |       |
| e1        | 1.0 BSC   |       |       |
| L         | 0.315     | 0.365 | 0.415 |
| L1        | 0.080 REF |       |       |
| aaa       | 0.1       |       |       |
| bbb       | 0.2       |       |       |
| ccc       | 0.1       |       |       |
| ddd       | 0.08      |       |       |

**Note:**

1. All dimensions shown are in millimeters (mm) unless otherwise noted.
2. Dimensioning and Tolerancing per ANSI Y14.5M-1994.
3. This drawing conforms to the JEDEC Solid State Outline MO-220.
4. Recommended card reflow profile is per the JEDEC/IPC J-STD-020 specification for Small Body Components.

### 10.3 Si5394 and Si5392 A/B/C/D/P (External Reference) 7x7 mm 44-QFN Package Diagram

The following figure illustrates the package details for the Si5394 and Si5392. The table lists the values for the dimensions shown in the illustration.



Figure 10.3. 44-Pin Quad Flat No-Lead (QFN)

Table 10.3. Package Dimensions

| Dimension | Min      | Nom  | Max  |
|-----------|----------|------|------|
| A         | 0.80     | 0.85 | 0.90 |
| A1        | 0.00     | 0.02 | 0.05 |
| b         | 0.18     | 0.25 | 0.30 |
| D         | 7.00 BSC |      |      |
| D2        | 5.10     | 5.20 | 5.30 |
| e         | 0.50 BSC |      |      |
| E         | 7.00 BSC |      |      |
| E2        | 5.10     | 5.20 | 5.30 |
| L         | 0.30     | 0.40 | 0.50 |
| aaa       | —        | —    | 0.10 |
| bbb       | —        | —    | 0.10 |
| ccc       | —        | —    | 0.08 |
| ddd       | —        | —    | 0.10 |

**Note:**

1. All dimensions shown are in millimeters (mm) unless otherwise noted.
2. Dimensioning and Tolerancing per ANSI Y14.5M-1994.
3. This drawing conforms to the JEDEC Solid State Outline MO-220.
4. Recommended card reflow profile is per the JEDEC/IPC J-STD-020 specification for Small Body Components.

### 10.4 Si5394 and Si5392 J/K/L/M/E (Internal Reference) 7x7 mm 44-LGA Package Diagram

The following figure illustrates the package details for the Si5394J and Si5392J. The table lists the values for the dimensions shown in the illustration.



Figure 10.4. 44-Pin LGA

Table 10.4. Package Dimensions

| Dimension | Min      | Nom    | Max    |
|-----------|----------|--------|--------|
| A         | —        | —      | 1.1    |
| A1        | 0.26 REF |        |        |
| A2        | 0.7 REF  |        |        |
| D         | 7 BSC    |        |        |
| E         | 7 BSC    |        |        |
| W         | 0.2      | 0.25   | 0.3    |
| L         | 0.35     | 0.4    | 0.45   |
| e         | 0.5 BSC  |        |        |
| n         | 44       |        |        |
| D1        | 5 BSC    |        |        |
| E1        | 5 BSC    |        |        |
| W1        | 1.5833   | 1.6333 | 1.6833 |
| L1        | 1.5833   | 1.6333 | 1.6833 |
| e1        | 1.7833   |        |        |
| n1        | 9        |        |        |
| aaa       | 0.1      |        |        |
| bbb       | 0.2      |        |        |
| ddd       | 0.08     |        |        |

**Note:**

1. The dimensions in parenthesis are reference.
2. All dimensions in millimeters (mm).
3. Dimensioning and Tolerance per ANSI Y14.5M-1994.

## 11. PCB Land Pattern

The following figure illustrates the PCB land pattern details for the devices. The table lists the values for the dimensions shown in the illustration.



Figure 11.1. PCB Land Pattern

**Table 11.1. PCB Land Pattern Dimensions**

| Dimension | Si5395 (Max) | Si5394/92 (Max) |
|-----------|--------------|-----------------|
| C1        | 8.90         | 6.90            |
| C2        | 8.90         | 6.90            |
| E         | 0.50         | 0.50            |
| X1        | 0.30         | 0.30            |
| Y1        | 0.85         | 0.85            |
| X2        | 5.30         | 5.30            |
| Y2        | 5.30         | 5.30            |

**Notes:****General**

1. All dimensions shown are in millimeters (mm) unless otherwise noted.
2. This Land Pattern Design is based on the IPC-7351 guidelines.
3. All dimensions shown are at Maximum Material Condition (MMC). Least Material Condition is calculated based on a fabrication Allowance of 0.05 mm.

**Solder Mask Design**

1. All metal pads are to be non-solder mask defined (NSMD). Clearance between the solder mask and the metal pad is to be 60  $\mu\text{m}$  minimum, all the way around the pad.

**Stencil Design**

1. A stainless steel, laser-cut and electropolished stencil with trapezoidal walls should be used to assure good solder paste release.
2. The stencil thickness should be 0.125 mm (5 mils).
3. The ratio of stencil aperture to land pad size should be 1:1 for all perimeter pads.
4. The stencil design will need to match the respective ground pads as shown in the Package outline. The stencil aperture to land pad size recommendation is 70% paste coverage.

**Card Assembly**

1. A No-Clean, Type-3 solder paste is recommended.
2. The recommended card reflow profile is per the JEDEC/IPC J-STD-020 specification for Small Body Components.

## 12. Top Marking



**Figure 12.1. Top Marking**

**Table 12.1. Top Marking Explanation**

| Line | Characters  | Description   |
|------|---|---|
| 1    | Si539fg-  | <p>Base part number and Device Grade for Any-frequency, Any-output, Jitter Cleaning Clock (single PLL):</p> <p>f = 5: 12-output Si5395<br/>           f = 4: 4-output Si5394<br/>           f = 2: 2-output Si5392</p> <p>g = Device Grade (A/B/C/D/P/J/K/L/M/E). See <a href="#">3. Ordering Guide</a> for more information.</p> <p>- = Dash character.</p>  |
| 2    | Rxxxxx-GM   | <p>R = Product revision. (Refer to <a href="#">3. Ordering Guide</a> for latest revision).</p> <p>xxxxx = Customer specific NVM sequence number. Optional NVM code assigned for custom, factory pre-programmed devices.</p> <p>Characters are not included for standard, factory default configured devices. See <a href="#">3. Ordering Guide</a> for more information.</p> <p>-GM = Package (QFN/LGA) and temperature range (-40 to +85 °C)</p> |
| 3    | YYWWTTTTTT  | <p>YYWW = Characters correspond to the year (YY) and work week (WW) of package assembly.</p> <p>TTTTTT = Manufacturing trace code.</p>  |
| 4    | Circle w/ 1.6 mm (64-QFN) or 1.4 mm (44-QFN) diameter | Pin 1 indicator; left-justified   |
|      | CC  | CC = TW = Taiwan; Country of Origin (ISO Abbreviation)  |

## 13. Revision History

### Revision 1.2

July, 2020

- The single center pad on the 7x7 mm 44-LGA Package is divided by soldermask into nine pads (3x3 grid array) to increase mechanical support to the center of the package; there is no change to the PCB layout made or to any of the metal layers of the package.
- Zero-delay mode is specified only for A/B/C/D and J/K/L/M.
- Updated Output Dynamic Delay Adjustment specification by combining fractional and integer specs into a single delay spec.

### Revision 1.1

June, 2019

- Added Integrated reference options J/K/L/M/E.

### Revision 1.0

April, 2019

- Updated Figure 4.3. Crystal Resonator and External Reference Clock Connection Options
- Updated section 4.9.2 Grade P section to support up to 3 time domains for Si5395, 2 domains for Si5394 and 1 domain for Si5392 (previous version only specified 2 domains for Si5395)
- Table 5.2 DC Characteristics
  - Core supply current IDD/IDDA limits clarified for each device
  - Output Buffer supply conditions clarified
  - Total power dissipation numbers updated
  - Updated test configuration diagrams
- Table 5.3 Input clock specifications
  - Updated Input voltage section of "LVCMOS / Pulsed CMOS DC-Coupled Input Buffer" to include standard CMOS
- Table 5.5 Differential Clock Output Specifications
  - Clarified duty cycle specs for when MultiSynth is used/not used
  - Increased max Rise and Fall times from 150ps to 200ps based on final characterization
- Table 5.6. LVCMOS Clock Output Specifications
  - Updated Min and Max limits for duty cycle
  - Updated test configuration diagrams
- Table 5.8. Performance Characteristics
  - Updated Initial startup time for P-grade devices
  - Updated P-grade jitter numbers to include more domains and finalize test conditions
- Updated Table 5.10. SPI Timing Specifications (4-Wire) table and timing diagram
- Updated Table 5.11. SPI Timing Specifications (3-Wire)
- Changed NC/XA, NC/XB, NC/X1, NC/X2 to XA, XB, X1, X2 respectively since integrated crystal devices are getting their own data sheet

### Revision 0.96

June, 2018

- Preliminary data sheet.



# SKYWORKS®

## ClockBuilder Pro

Customize Skyworks clock generators, jitter attenuators and network synchronizers with a single tool. With CBPro you can control evaluation boards, access documentation, request a custom part number, export for in-system programming and more!

[www.skyworksinc.com/CBPro](http://www.skyworksinc.com/CBPro)



**Portfolio**

[www.skyworksinc.com/ia/timing](http://www.skyworksinc.com/ia/timing)



**SW/HW**

[www.skyworksinc.com/CBPro](http://www.skyworksinc.com/CBPro)



**Quality**

[www.skyworksinc.com/quality](http://www.skyworksinc.com/quality)



**Support & Resources**

[www.skyworksinc.com/support](http://www.skyworksinc.com/support)

### Copyright © 2021 Skyworks Solutions, Inc. All Rights Reserved.

Information in this document is provided in connection with Skyworks Solutions, Inc. ("Skyworks") products or services. These materials, including the information contained herein, are provided by Skyworks as a service to its customers and may be used for informational purposes only by the customer. Skyworks assumes no responsibility for errors or omissions in these materials or the information contained herein. Skyworks may change its documentation, products, services, specifications or product descriptions at any time, without notice. Skyworks makes no commitment to update the materials or information and shall have no responsibility whatsoever for conflicts, incompatibilities, or other difficulties arising from any future changes.

No license, whether express, implied, by estoppel or otherwise, is granted to any intellectual property rights by this document. Skyworks assumes no liability for any materials, products or information provided hereunder, including the sale, distribution, reproduction or use of Skyworks products, information or materials, except as may be provided in Skyworks' Terms and Conditions of Sale.

THE MATERIALS, PRODUCTS AND INFORMATION ARE PROVIDED "AS IS" WITHOUT WARRANTY OF ANY KIND, WHETHER EXPRESS, IMPLIED, STATUTORY, OR OTHERWISE, INCLUDING FITNESS FOR A PARTICULAR PURPOSE OR USE, MERCHANTABILITY, PERFORMANCE, QUALITY OR NON-INFRINGEMENT OF ANY INTELLECTUAL PROPERTY RIGHT; ALL SUCH WARRANTIES ARE HEREBY EXPRESSLY DISCLAIMED. SKYWORKS DOES NOT WARRANT THE ACCURACY OR COMPLETENESS OF THE INFORMATION, TEXT, GRAPHICS OR OTHER ITEMS CONTAINED WITHIN THESE MATERIALS. SKYWORKS SHALL NOT BE LIABLE FOR ANY DAMAGES, INCLUDING BUT NOT LIMITED TO ANY SPECIAL, INDIRECT, INCIDENTAL, STATUTORY, OR CONSEQUENTIAL DAMAGES, INCLUDING WITHOUT LIMITATION, LOST REVENUES OR LOST PROFITS THAT MAY RESULT FROM THE USE OF THE MATERIALS OR INFORMATION, WHETHER OR NOT THE RECIPIENT OF MATERIALS HAS BEEN ADVISED OF THE POSSIBILITY OF SUCH DAMAGE.

Skyworks products are not intended for use in medical, lifesaving or life-sustaining applications, or other equipment in which the failure of the Skyworks products could lead to personal injury, death, physical or environmental damage. Skyworks customers using or selling Skyworks products for use in such applications do so at their own risk and agree to fully indemnify Skyworks for any damages resulting from such improper use or sale.

Customers are responsible for their products and applications using Skyworks products, which may deviate from published specifications as a result of design defects, errors, or operation of products outside of published parameters or design specifications. Customers should include design and operating safeguards to minimize these and other risks. Skyworks assumes no liability for applications assistance, customer product design, or damage to any equipment resulting from the use of Skyworks products outside of Skyworks' published specifications or parameters.

Skyworks, the Skyworks symbol, Sky5®, SkyOne®, SkyBlue™, Skyworks Green™, Clockbuilder®, DSPLL®, ISOModem®, ProSLIC®, and SiPHY® are trademarks or registered trademarks of Skyworks Solutions, Inc. or its subsidiaries in the United States and other countries. Third-party brands and names are for identification purposes only and are the property of their respective owners. Additional information, including relevant terms and conditions, posted at [www.skyworksinc.com](http://www.skyworksinc.com), are incorporated by reference.

Skyworks Solutions, Inc. | Nasdaq: SWKS | [sales@skyworksinc.com](mailto:sales@skyworksinc.com) | [www.skyworksinc.com](http://www.skyworksinc.com)

USA: 781-376-3000 | Asia: 886-2-2735 0399 | Europe: 33 (0)1 43548540 |    

## Looking for pricing, stock, or lifecycle information?

Click below to explore more details on WIN SOURCE:

- ⊖ [View SI5395P-A10049-GMR on WIN SOURCE](#)
- ⊖ [Skyworks Solutions Inc. Information](#)

## Optimize Your Supply Chain with WIN SOURCE Solutions

- ✓ Global Sourcing Solution
- ✓ Obsolete Management
- ✓ Cost Control Management
- ✓ Shortage Management
- ✓ Alternative Solution
- ✓ Excess Inventory Management