



**THE DATASHEET OF
SI5345A-D07129-GM**



Si5345/44/42 Rev D Data Sheet

10-Channel, Any-Frequency, Any-Output Jitter Attenuator/Clock Multiplier

These jitter attenuating clock multipliers combine fourth-generation DSPLL™ and MultiSynth™ technologies to enable any-frequency clock generation and jitter attenuation for applications requiring the highest level of jitter performance. These devices are programmable via a serial interface with in-circuit programmable non-volatile memory (NVM) so they always power up with a known frequency configuration. They support free-run, synchronous, and holdover modes of operation, and offer both automatic and manual input clock switching. The loop filter is fully integrated on-chip, eliminating the risk of noise coupling associated with discrete solutions. Furthermore, the jitter attenuation bandwidth is digitally programmable, providing jitter performance optimization at the application level. Programming the Si5345/44/42 is easy with Skyworks' [ClockBuilder Pro™](#) software. Factory preprogrammed devices are also available.

Applications:

- OTN muxponders and transponders
- 10/40/100 G networking line cards
- GbE/10 GbE/100 GbE Synchronous Ethernet (ITU-T G.8262)
- Carrier Ethernet switches
- SONET/SDH line cards
- Broadcast video
- Test and measurement
- ITU-T G.8262 (SyncE) compliant

KEY FEATURES

- Generates any combination of output frequencies from any input frequency
- Ultra-low jitter of 90 fs rms
- External Crystal: 25 to 54 MHz
- Input frequency range
 - Differential: 8 kHz to 750 MHz
 - LVCMOS: 8 kHz to 250 MHz
- Output frequency range
 - Differential: 100 Hz to 1028 MHz
 - LVCMOS: 100 Hz to 250 MHz
- Meets G.8262 EEC Option 1, 2 (SyncE)
- Highly configurable outputs compatible with LVDS, LVPECL, LVCMOS, CML, and HCSL with programmable signal amplitude
- Si5345: 4 input, 10 output, 64-QFN 9×9 mm
- Si5344: 4 input, 4 output, 44-QFN 7×7 mm
- Si5342: 4 input, 2 output, 44-QFN 7×7 mm



1. Features List

The Si5345/44/42 Rev D features are listed below:

- Generates any combination of output frequencies from any input frequency
- Ultra-low jitter of 90 fs rms
- Input frequency range
 - Differential: 8 kHz–750 MHz
 - LVCMOS: 8 kHz–250 MHz
- Output frequency range
 - Differential: 100 Hz to 1028 MHz
 - LVCMOS: 100 Hz to 250 MHz
- Programmable jitter attenuation bandwidth: 0.1 Hz to 4 kHz
- Meets G.8262 EEC Option 1, 2 (SyncE)
- Highly configurable outputs compatible with LVDS, LVPECL, LVCMOS, CML, and HCSL with programmable signal amplitude
- Status monitoring (LOS, OOF, LOL)
- Hitless input clock switching: automatic or manual
- Locks to gapped clock inputs
- Free-run and holdover modes
- Optional zero delay mode
- Fastlock feature for low nominal bandwidths
- Glitchless on the fly output frequency changes
- DCO mode: as low as 0.001 ppb step size
- Core voltage
 - V_{DD} : 1.8 V \pm 5%
 - V_{DDA} : 3.3 V \pm 5%
- Independent output clock supply pins
 - 3.3 V, 2.5 V, or 1.8 V
- Serial interface: I²C or SPI
- In-circuit programmable with non-volatile OTP memory
- [ClockBuilder Pro](#) software simplifies device configuration
- Si5345: 4 input, 10 output, 64-QFN 9×9 mm
- Si5344: 4 input, 4 output, 44-QFN 7×7 mm
- Si5342: 4 input, 2 output, 44-QFN 7×7 mm
- Temperature range: –40 to +85 °C
- Pb-free, RoHS-6 compliant

2. Ordering Guide

| Ordering Part Number (OPN) | Number of Input/Output Clocks | Output Clock Frequency Range (MHz) | Supported Frequency Synthesis Modes | Package | Temperature Range |
|---|-------------------------------|------------------------------------|-------------------------------------|------------------|-------------------|
| Si5345 | | | | | |
| Si5345A-D-GM ^{1, 2} | 4/10 | 0.001 to 1028 MHz | Integer and | 64-QFN 9×9 mm | –40 to 85 °C |
| Si5345B-D-GM ^{1, 2} | | 0.001 to 350 MHz | Fractional | | |
| Si5345C-D-GM ^{1, 2} | | 0.001 to 1028 MHz | Integer Only | | |
| Si5345D-D-GM ^{1, 2} | | 0.001 to 350 MHz | | | |
| Si5344 | | | | | |
| Si5344A-D-GM ^{1, 2} | 4/4 | 0.001 to 1028 MHz | Integer and | 44-QFN 7×7 mm | –40 to 85 °C |
| Si5344B-D-GM ^{1, 2} | | 0.001 to 350 MHz | Fractional | | |
| Si5344C-D-GM ^{1, 2} | | 0.001 to 1028 MHz | Integer Only | | |
| Si5344D-D-GM ^{1, 2} | | 0.001 to 350 MHz | | | |
| Si5342 | | | | | |
| Si5342A-D-GM ^{1, 2} | 4/2 | 0.001 to 1028 MHz | Integer and | 44-QFN 7×7 mm | –40 to 85 °C |
| Si5342B-D-GM ^{1, 2} | | 0.001 to 350 MHz | Fractional | | |
| Si5342C-D-GM ^{1, 2} | | 0.001 to 1028 MHz | Integer Only | | |
| Si5342D-D-GM ^{1, 2} | | 0.001 to 350 MHz | | | |
| Si5345/44/42-D-EVB | | | | | |
| Si5345-D-EVB | — | — | — | Evaluation Board | — |
| Si5344-D-EVB | | | | | |
| Si5342-D-EVB | | | | | |
| Notes: | | | | | |
| 1. Add an R at the end of the OPN to denote tape and reel ordering options. | | | | | |
| 2. Custom, factory preprogrammed devices are available. Ordering part numbers are assigned by Skyworks and the ClockBuilder Pro software. Custom part number format is “Si5345A-Dxxxx-GM” where “xxxx” is a unique numerical sequence representing the preprogrammed configuration. | | | | | |



*See Ordering Guide table for current product revision

** 5 digits; assigned by ClockBuilder Pro

Figure 2.1. Ordering Part Number Fields

Table of Contents

| | |
|---|----------|
| 1. Features List | 2 |
| 2. Ordering Guide | 3 |
| 3. Functional Description | 7 |
| 3.1 Frequency Configuration | 7 |
| 3.2 DSPLL Loop Bandwidth | 7 |
| 3.3 Fastlock Feature | 7 |
| 3.4 Modes of Operation | 7 |
| 3.4.1 Initialization and Reset | 8 |
| 3.4.2 Freerun Mode | 8 |
| 3.4.3 Lock Acquisition Mode | 8 |
| 3.4.4 Locked Mode | 8 |
| 3.4.5 Holdover Mode | 9 |
| 3.5 External Reference (XA/XB) | 9 |
| 3.6 Digitally Controlled Oscillator (DCO) Mode | 10 |
| 3.7 Inputs (IN0, IN1, IN2, IN3) | 10 |
| 3.7.1 Manual Input Switching (IN0, IN1, IN2, IN3) | 10 |
| 3.7.2 Automatic Input Selection (IN0, IN1, IN2, IN3) | 11 |
| 3.7.3 Hitless Input Switching | 11 |
| 3.7.4 Ramped Input Switching | 11 |
| 3.7.5 Glitchless Input Switching | 11 |
| 3.7.6 Input Configuration and Terminations | 12 |
| 3.7.7 Synchronizing to Gapped Input Clocks | 13 |
| 3.8 Fault Monitoring | 13 |
| 3.8.1 Input LOS Detection | 14 |
| 3.8.2 XA/XB LOS Detection | 14 |
| 3.8.3 OOF Detection | 14 |
| 3.8.4 LOL Detection | 15 |
| 3.8.5 Interrupt Pin (INTRb) | 16 |
| 3.9 Outputs | 16 |
| 3.9.1 Output Crosspoint | 17 |
| 3.9.2 Output Signal Format | 17 |
| 3.9.3 Differential Output Terminations | 18 |
| 3.9.4 LVCMOS Output Terminations | 18 |
| 3.9.5 Programmable Common Mode Voltage For Differential Outputs | 18 |
| 3.9.6 LVCMOS Output Impedance Selection | 19 |
| 3.9.7 LVCMOS Output Signal Swing | 19 |
| 3.9.8 LVCMOS Output Polarity | 19 |
| 3.9.9 Output Enable/Disable | 19 |
| 3.9.10 Output Driver State When Disabled | 19 |
| 3.9.11 Synchronous Output Disable Feature | 19 |
| 3.9.12 Zero Delay Mode | 20 |
| 3.9.13 Output Divider (R) Synchronization | 20 |

| | |
|---|-----------|
| 3.10 Power Management | .20 |
| 3.11 In-Circuit Programming | .20 |
| 3.12 Serial Interface | .21 |
| 3.13 Custom Factory Preprogrammed Parts | .21 |
| 3.14 Enabling Features and/or Configuration Settings Unavailable in ClockBuilder Pro for Factory Preprogrammed Devices | .21 |
| 4. Register Map | 23 |
| 5. Electrical Specifications | 24 |
| 6. Typical Application Schematic | 39 |
| 7. Detailed Block Diagrams | 40 |
| 8. Typical Operating Characteristics | 43 |
| 9. Pin Descriptions | 45 |
| 10. Package Outlines | 51 |
| 10.1 Si5345 9x9 mm 64-QFN Package Diagram | .51 |
| 10.2 Si5344 and Si5342 7x7 mm 44-QFN Package Diagram | .52 |
| 11. PCB Land Pattern | 53 |
| 12. Top Marking | 55 |
| 13. Device Errata | 56 |
| 14. Revision History. | 57 |

3. Functional Description

The Si5345's internal DSPLL provides jitter attenuation and any-frequency multiplication of the selected input frequency. Fractional input dividers (P) allow the DSPLL to perform hitless switching between input clocks (IN_x) that are fractionally related. Input switching is controlled manually or automatically using an internal state machine. The oscillator circuit (OSC) provides a frequency reference which determines output frequency stability and accuracy while the device is in free-run or holdover mode. The high-performance MultiSynth dividers (N) generate integer or fractionally related output frequencies for the output stage. A crosspoint switch connects any of the MultiSynth generated frequencies to any of the outputs. Additional integer division (R) determines the final output frequency.

3.1 Frequency Configuration

The frequency configuration of the DSPLL is programmable through the serial interface and can also be stored in non-volatile memory. The combination of fractional input dividers (P_n/P_d), fractional frequency multiplication (M_n/M_d), fractional output MultiSynth division (N_n/N_d), and integer output division (R_n) allows the generation of virtually any output frequency on any of the outputs. All divider values for a specific frequency plan are easily determined using the [ClockBuilder Pro](#) software.

3.2 DSPLL Loop Bandwidth

The DSPLL loop bandwidth determines the amount of input clock jitter attenuation. Register configurable DSPLL loop bandwidth settings in the range of 0.1 Hz to 4 kHz are available for selection. Since the loop bandwidth is controlled digitally, the DSPLL will always remain stable with less than 0.1 dB of peaking regardless of the loop bandwidth selection.

3.3 Fastlock Feature

Selecting a low DSPLL loop bandwidth (e.g. 0.1 Hz) will generally lengthen the lock acquisition time. The fastlock feature allows setting a temporary Fastlock Loop Bandwidth that is used during the lock acquisition process. Higher fastlock loop bandwidth settings will enable the DSPLLs to lock faster. Fastlock Loop Bandwidth settings of in the range of 100 Hz to 4 kHz are available for selection. The DSPLL will revert to its normal loop bandwidth once lock acquisition has completed.

3.4 Modes of Operation

Once initialization is complete the DSPLL operates in one of four modes: Free-run Mode, Lock Acquisition Mode, Locked Mode, or Holdover Mode. A state diagram showing the modes of operation is shown in [Figure 3.1 Modes of Operation on page 8](#). The following sections describe each of these modes in greater detail.

3.4.1 Initialization and Reset

Once power is applied, the device begins an initialization period where it downloads default register values and configuration data from NVM and performs other initialization tasks. Communicating with the device through the serial interface is possible once this initialization period is complete. No clocks will be generated until the initialization is complete. There are two types of resets available. A hard reset is functionally similar to a device power-up. All registers will be restored to the values stored in NVM, and all circuits including the serial interface will be restored to their initial state. A hard reset is initiated using the RSTb pin or by asserting the hard reset register bit. A soft reset bypasses the NVM download. It is simply used to initiate register configuration changes.



Figure 3.1. Modes of Operation

3.4.2 Freerun Mode

The DSPLL will automatically enter freerun mode once power is applied to the device and initialization is complete. The frequency accuracy of the generated output clocks in freerun mode is entirely dependent on the frequency accuracy of the external crystal or reference clock on the XA/XB pins. For example, if the crystal frequency is ± 100 ppm, then all the output clocks will be generated at their configured frequency ± 100 ppm in freerun mode. Any drift of the crystal frequency will be tracked at the output clock frequencies. A TCXO or OCXO is recommended for applications that need better frequency accuracy and stability while in freerun or holdover modes.

3.4.3 Lock Acquisition Mode

The device monitors all inputs for a valid clock. If at least one valid clock is available for synchronization, the DSPLL will automatically start the lock acquisition process. If the fast lock feature is enabled, the DSPLL will acquire lock using the Fastlock Loop Bandwidth setting and then transition to the DSPLL Loop Bandwidth setting when lock acquisition is complete. During lock acquisition the outputs will generate a clock that follows the VCO frequency change as it pulls in to the input clock frequency.

3.4.4 Locked Mode

Once locked, the DSPLL will generate output clocks that are both frequency and phase locked to their selected input clocks. At this point, any XTAL frequency drift will not affect the output frequency. A loss of lock pin (LOL) and status bit indicate when lock is achieved. See 3.8.4 LOL Detection for more details on the operation of the loss-of-lock circuit.

3.4.5 Holdover Mode

The DSPLL will automatically enter holdover mode when the selected input clock becomes invalid and no other valid input clocks are available for selection. The DSPLL uses an averaged input clock frequency as its final holdover frequency to minimize the disturbance of the output clock phase and frequency when an input clock suddenly fails. The holdover circuit for the DSPLL stores up to 120 seconds of historical frequency data while locked to a valid clock input. The final averaged holdover frequency value is calculated from a programmable window within the stored historical frequency data. Both the window size and the delay are programmable as shown in the figure below. The window size determines the amount of holdover frequency averaging. The delay value allows ignoring frequency data that may be corrupt just before the input clock failure.



Figure 3.2. Programmable Holdover Window

When entering holdover, the DSPLL will pull its output clock frequency to the calculated averaged holdover frequency. While in holdover, the output frequency drift is entirely dependent on the external crystal or external reference clock connected to the XA/XB pins. If the clock input becomes valid, the DSPLL will automatically exit the holdover mode and re-acquire lock to the new input clock. This process involves pulling the output clock frequency to achieve frequency and phase lock with the input clock. This pull-in process is glitchless and its rate is controlled by the DSPLL or the Fastlock bandwidth.

The DSPLL output frequency when exiting holdover can be ramped (recommended). Just before the exit is initiated, the difference between the current holdover frequency and the new desired frequency is measured. Using the calculated difference and a user-selectable ramp rate, the output is linearly ramped to the new frequency. The ramp rate can be 0.2 ppm/s, 40,000 ppm/s, or any of about 40 values in between. The DSPLL loop BW does not limit or affect ramp rate selections (and vice versa). CBPro defaults to ramped exit from holdover. The same ramp rate settings are used for both exit from holdover and ramped input switching. For more information on ramped input switching, see [3.7.4 Ramped Input Switching](#).

Note: If ramped holdover exit is not selected, the holdover exit is governed either by (1) the DSPLL loop BW or (2) a user-selectable holdover exit BW.

3.5 External Reference (XA/XB)

An external crystal (XTAL) is used in combination with the internal oscillator (OSC) to produce an ultra low jitter reference clock for the DSPLL and for providing a stable reference for the free-run and holdover modes. A simplified diagram is shown in [Figure 3.3 Crystal Resonator and External Reference Clock Connection Options on page 10](#). The device includes internal XTAL loading capacitors which eliminates the need for external capacitors and also has the benefit of reduced noise coupling from external sources. Refer to [Table 5.12 Crystal Specifications on page 37](#) for crystal specifications. A crystal in the range of 48 MHz to 54 MHz is recommended for best jitter performance. The [Si5345/44/42 Rev D Family Reference Manual](#) provides additional information on PCB layout recommendations for the crystal to ensure optimum jitter performance.

To achieve optimal jitter performance and minimize BOM cost, a crystal is recommended on the XA/XB reference input. For SyncE pizza box applications (e.g. loop bandwidth set to 0.1 Hz), a TCXO is required on the XA/XB reference to minimize wander and to provide a stable holdover reference. See the [Si5345/44/42 Rev D Family Reference Manual](#) for more information. Selection between the external XTAL or REFCLK is controlled by register configuration. The internal crystal loading capacitors (CL) are disabled in the REFCLK mode. Refer to [Table 5.3 Input Clock Specifications on page 26](#) for REFCLK requirements when using this mode. A PREF divider is available to accommodate external clock frequencies higher than 54 MHz. Frequencies in the range of 48 MHz to 54 MHz will achieve the best output jitter performance.

3.6 Digitally Controlled Oscillator (DCO) Mode

The output MultiSynths support a DCO mode where their output frequencies are adjustable in predefined steps defined by frequency step words (FSW). The frequency adjustments are controlled through the serial interface or by pin control using frequency increment (FINC) or decrement (FDEC). A FINC will add the frequency step word to the DSPLL output frequency, while a FDEC will decrement it. Any number of MultiSynths can be updated at once or independently controlled. The DCO mode is available when the DSPLL is operating in either free-run or locked mode.



Figure 3.3. Crystal Resonator and External Reference Clock Connection Options

Note: See Table 5.3 Input Clock Specifications on page 26.

3.7 Inputs (IN0, IN1, IN2, IN3)

There are four inputs that can be used to synchronize the DSPLL. The inputs accept both differential and single-ended clocks. Input selection can be manual (pin or register controlled) or automatic with user definable priorities.

3.7.1 Manual Input Switching (IN0, IN1, IN2, IN3)

Input clock selection can be made manually using the IN_SEL[1:0] pins or through a register. A register bit determines input selection as pin selectable or register selectable. The IN_SEL pins are selected by default. If there is no clock signal on the selected input, the device will automatically enter free-run or holdover mode. When the zero delay mode is enabled, IN3 becomes the feedback input (FB_IN) and is not available for selection as a clock input.

Table 3.1. Manual Input Selection Using IN_SEL[1:0] Pins

| IN_SEL[1:0] | | Selected Input | |
|-------------|---|--------------------------|-------------------------|
| | | Zero Delay Mode Disabled | Zero Delay Mode Enabled |
| 0 | 0 | IN0 | IN0 |
| 0 | 1 | IN1 | IN1 |
| 1 | 0 | IN2 | IN2 |
| 1 | 1 | IN3 | Reserved |

3.7.2 Automatic Input Selection (IN0, IN1, IN2, IN3)

An automatic input selection state machine is available in addition to the manual switching option. In automatic mode, the selection criteria is based on input clock qualification, input priority, and the revertive option. Only input clocks that are valid can be selected by the automatic clock selection state machine. If there are no valid input clocks available the DSPLL will enter the holdover mode. With revertive switching enabled, the highest priority input with a valid input clock is always selected. If an input with a higher priority becomes valid then an automatic switchover to that input will be initiated. With non-revertive switching, the active input will always remain selected while it is valid. If it becomes invalid an automatic switchover to a valid input with the highest priority will be initiated.

3.7.3 Hitless Input Switching

Hitless switching is a feature that prevents a phase offset from propagating to the output when switching between two clock inputs that have a fixed phase relationship. A hitless switch can only occur when the two input frequencies are frequency locked meaning that they have to be exactly at the same frequency, or at a fractional frequency relationship to each other. When hitless switching is enabled, the DSPLL simply absorbs the phase difference between the two input clocks during an input switch. When disabled, the phase difference between the two inputs is propagated to the output at a rate determined by the DSPLL Loop Bandwidth. The hitless switching feature supports clock frequencies down to the minimum input frequency of 8 kHz.

3.7.4 Ramped Input Switching

When switching between two plesiochronous input clocks (i.e., the frequencies are "almost the same" but not quite), ramped input switching should be enabled to ensure a smooth transition between the two inputs. Ramped input switching avoids frequency transients and overshoot when switching between frequencies and so is the default switching mode in CBPro. The feature should be turned off when switching between input clocks that are always frequency locked (i.e., are always the same exact frequency). The same ramp rate settings are used for both holdover exit and clock switching. For more information on ramped exit from holdover see [3.4.5 Holdover Mode](#).

3.7.5 Glitchless Input Switching

The DSPLL has the ability of switching between two input clock frequencies that are up to ± 500 ppm apart. The DSPLL will pull-in to the new frequency using the DSPLL Loop Bandwidth or using the Fastlock Loop Bandwidth if enabled. The loss of lock (LOL) indicator will assert while the DSPLL is pulling-in to the new clock frequency. There will be no abrupt phase change at the output during the transition.

3.7.6 Input Configuration and Terminations

Each of the inputs can be configured as differential or single-ended LVCMOS. The recommended input termination schemes are shown in Figure 14. Differential signals must be ac-coupled, while single-ended LVCMOS signals can be ac- or dc-coupled. Unused inputs can be disabled and left unconnected when not in use.



Figure 3.4. Termination of Differential and LVCMOS Input Signals

Note: See [Table 5.3 Input Clock Specifications on page 26](#) and the [Si5345/44/42 Rev D Family Reference Manual](#) for more information.

3.7.7 Synchronizing to Gapped Input Clocks

The DSPLL supports locking to an input clock that has missing periods. This is also referred to as a gapped clock. The purpose of gapped clocking is to modulate the frequency of a periodic clock by selectively removing some of its cycles. Gapping a clock severely increases its jitter so a phase-locked loop with high jitter tolerance and low loop bandwidth is required to produce a low-jitter periodic clock. The resulting output will be a periodic non-gapped clock with an average frequency of the input with its missing cycles. For example, an input clock of 100 MHz with one cycle removed every 10 cycles will result in a 90 MHz periodic non-gapped output clock. This is shown in the following figure. For more information on gapped clocks, see “AN561: Introduction to Gapped Clocks and PLLs”.



Figure 3.5. Generating an Averaged Clock Output Frequency from a Gapped Clock Input

A valid gapped clock input must have a minimum frequency of 10 MHz with a maximum of two missing cycles out of every eight. Locking to a gapped clock will not trigger the LOS, OOF, and LOL fault monitors. Clock switching between gapped clocks may violate the hitless switching specification in Table 5.8 Performance Characteristics on page 32 when the switch occurs during a gap in either input clock.

3.8 Fault Monitoring

All four input clocks (IN0, IN1, IN2, IN3/FB_IN) are monitored for loss of signal (LOS) and out-of-frequency (OOF) as shown in the figure below. The reference at the XA/XB pins is also monitored for LOS since it provides a critical reference clock for the DSPLL. There is also a Loss Of Lock (LOL) indicator which is asserted when the DSPLL loses synchronization.



Figure 3.6. Si5345/44/42 Fault Monitors

3.8.1 Input LOS Detection

The loss of signal monitor measures the period of each input clock cycle to detect phase irregularities or missing clock edges. Each of the input LOS circuits has its own programmable sensitivity which allows ignoring missing edges or intermittent errors. Loss of signal sensitivity is configurable using the [ClockBuilder Pro](#) software.

The LOS status for each of the monitors is accessible by reading a status register. The live LOS register always displays the current LOS state and a sticky register always stays asserted until cleared. An option to disable any of the LOS monitors is also available.

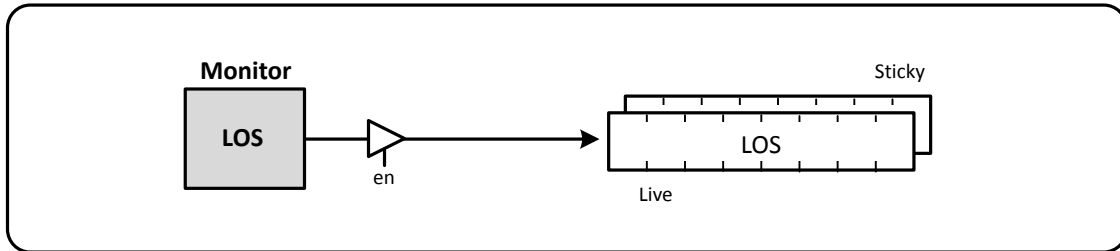


Figure 3.7. LOS Status Indicators

3.8.2 XA/XB LOS Detection

A LOS monitor is available to ensure that the external crystal or reference clock is valid. By default the output clocks are disabled when XAXB_LOS is detected. This feature can be disabled such that the device will continue to produce output clocks when XAXB_LOS is detected.

3.8.3 OOF Detection

Each input clock is monitored for frequency accuracy with respect to a OOF reference which it considers as its “0_ppm” reference. This OOF reference can be selected as either:

- XA/XB pins
- Any input clock (IN0, IN1, IN2, IN3)

The final OOF status is determined by the combination of both a precise OOF monitor and a fast OOF monitor as shown in the figure below. An option to disable either monitor is also available. The live OOF register always displays the current OOF state, and its sticky register bit stays asserted until cleared.

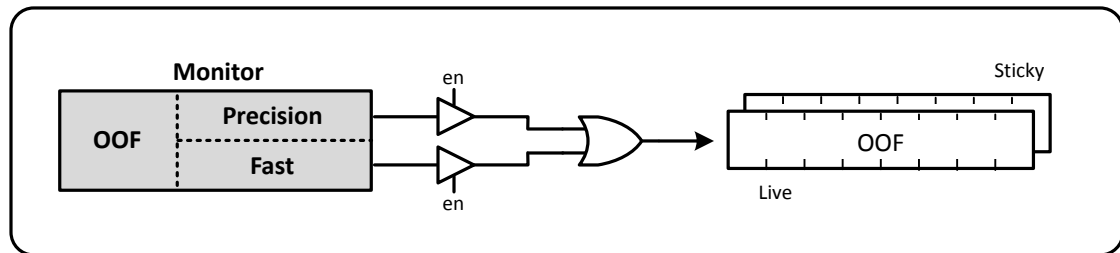


Figure 3.8. OOF Status Indicator

3.8.3.1 Precision OOF Monitor

The precision OOF monitor circuit measures the frequency of all input clocks to within $\pm 1/16$ ppm accuracy with respect to the selected OOF frequency reference. A valid input clock frequency is one that remains within the OOF frequency range which is register configurable up to ± 500 ppm in steps of $1/16$ ppm. A configurable amount of hysteresis is also available to prevent the OOF status from toggling at the failure boundary. An example is shown in the figure below. In this case, the OOF monitor is configured with a valid frequency range of ± 6 ppm and with 2 ppm of hysteresis. An option to use one of the input pins (IN0–IN3) as the 0 ppm OOF reference instead of the XA/XB pins is available. This option is register configurable.



Figure 3.9. Example of Precise OOF Monitor Assertion and Deassertion Triggers

3.8.3.2 Fast OOF Monitor

Because the precision OOF monitor needs to provide $1/16$ ppm of frequency measurement accuracy, it must measure the monitored input clock frequencies over a relatively long period of time. This may be too slow to detect an input clock that is quickly ramping in frequency. An additional level of OOF monitoring called the Fast OOF monitor runs in parallel with the precision OOF monitors to quickly detect a ramping input frequency. The Fast OOF monitor asserts OOF on an input clock frequency that has changed by greater than ± 4000 ppm.

3.8.4 LOL Detection

The Loss Of Lock (LOL) monitor asserts a LOL register bit when the DSPLL has lost synchronization with its selected input clock.

There is also a dedicated loss of lock pin that reflects the loss of lock condition. The LOL monitor functions by measuring the frequency difference between the input and feedback clocks at the phase detector. There are two LOL frequency monitors, one that sets the LOL indicator (LOL Set) and another that clears the indicator (LOL Clear). An optional timer is available to delay clearing of the LOL indicator to allow additional time for the DSPLL to completely lock to the input clock. The timer is also useful to prevent the LOL indicator from toggling or chattering as the DSPLL completes lock acquisition. A block diagram of the LOL monitor is shown in the figure below. The live LOL register always displays the current LOL state and a sticky register always stays asserted until cleared. The LOL pin reflects the current state of the LOL monitor.



Figure 3.10. LOL Status Indicators

The LOL frequency monitors have an adjustable sensitivity which is register configurable from 0.1 ppm to 10,000 ppm. Having two separate frequency monitors allows for hysteresis to help prevent chattering of LOL status.

An example configuration where LOCK is indicated when there is less than 0.1 ppm frequency difference at the inputs of the phase detector and LOL is indicated when there's more than 1 ppm frequency difference is shown in the following figure.



Figure 3.11. LOL Set and Clear Thresholds

Note: In this document, the terms, LVDS and LVPECL, refer to driver formats that are compatible with these signaling standards.

An optional timer is available to delay clearing of the LOL indicator to allow additional time for the DSPLL to completely lock to the input clock. The timer is also useful to prevent the LOL indicator from toggling or chattering as the DSPLL completes lock acquisition. The configurable delay value depends on frequency configuration and loop bandwidth of the DSPLL and is automatically calculated using the [ClockBuilder Pro](#) software.

3.8.5 Interrupt Pin (INTRb)

An interrupt pin (INTRb) indicates a change in state of the status indicators (LOS, OOF, LOL, HOLD). Any of the status indicators are maskable to prevent assertion of the interrupt pin. The state of the INTRb pin is reset by clearing the status register that caused the interrupt.

3.9 Outputs

Each driver has a configurable voltage swing and common mode voltage covering a wide variety of differential signal formats. In addition to supporting differential signals, any of the outputs can be configured as single-ended LVCMOS (3.3 V, 2.5 V, or 1.8 V) providing up to 20 single-ended outputs, or any combination of differential and single-ended outputs.

3.9.1 Output Crosspoint

A crosspoint allows any of the output drivers to connect with any of the MultiSynths as shown in the figure below. The crosspoint configuration is programmable and can be stored in NVM so that the desired output configuration is ready at power up.



Figure 3.12. MultiSynth to Output Driver Crosspoint

3.9.2 Output Signal Format

The differential output swing and common mode voltage are both fully programmable covering a wide variety of signal formats including LVDS and LVPECL. In addition to supporting differential signals, any of the outputs can be configured as LVCMOS (3.3 V, 2.5 V, or 1.8 V) drivers providing up to 20 single-ended outputs, or any combination of differential and single-ended outputs.

3.9.3 Differential Output Terminations

The differential output drivers support both ac-coupled and dc-coupled terminations as shown in the figure below.

Note: In this document, the terms, LVDS and LVPECL, refer to driver formats that are compatible with these signaling standards.



Figure 3.13. Supported Differential Output Terminations

Note: See the [Si5345/44/42 Rev D Family Reference Manual](#) for resistor values.

3.9.4 LVCMOS Output Terminations

LVCMOS outputs are dc-coupled, as shown in the following figure.



Figure 3.14. LVCMOS Output Terminations

3.9.5 Programmable Common Mode Voltage For Differential Outputs

The common mode voltage (V_{CM}) for the differential modes are programmable so that LVDS specifications can be met and for the best signal integrity with different supply voltages. When dc coupling the output driver, it is essential that the receiver have a relatively high common mode impedance so that the common mode current from the output driver is very small.

3.9.6 LVCMOS Output Impedance Selection

Each LVCMOS driver has a configurable output impedance to accommodate different trace impedances. A source termination resistor is recommended to help match the selected output impedance to the trace impedance, where R_s = Transmission line impedance – Z_0 . There are three programmable output impedance selections (CMOS1, CMOS2, CMOS3) for each VDDO option as shown in the following table.

Table 3.2. Typical Output Impedance (Z_s)

| VDDO | CMOS Drive Selections | | |
|-------|-----------------------|-------------------|-------------------|
| | OUTx_CMOS_DRV = 1 | OUTx_CMOS_DRV = 2 | OUTx_CMOS_DRV = 3 |
| 3.3 V | 38 Ω | 30 Ω | 22 Ω |
| 2.5 V | 43 Ω | 35 Ω | 24 Ω |
| 1.8 V | — | 46 Ω | 31 Ω |

3.9.7 LVCMOS Output Signal Swing

The signal swing (V_{OL}/V_{OH}) of the LVCMOS output drivers is set by the voltage on the VDDO pins. Each output driver has its own VDDO pin allowing a unique output voltage swing for each of the LVCMOS drivers.

3.9.8 LVCMOS Output Polarity

When a driver is configured as an LVCMOS output, it generates a clock signal on both pins (OUTx and OUTxb). By default, the clock on the OUTx pin is generated with the same polarity (in phase) as the clock on the OUTxb pin. The polarity of these clocks is configurable, enabling complementary clock generation and/or inverted polarity with respect to other output drivers.

3.9.9 Output Enable/Disable

The OEB pin provides a convenient method of disabling or enabling the output drivers. When the OEB pin is held high, all outputs are disabled. When held low, the outputs are enabled. Outputs in the enabled state can be individually disabled through register control.

3.9.10 Output Driver State When Disabled

The disabled state of an output driver is configurable as disable low or disable high.

3.9.11 Synchronous Output Disable Feature

The output drivers provide a selectable synchronous disable feature. Output drivers with this feature turned on will wait until a clock period has completed before the driver is disabled. This prevents unwanted runt pulses from occurring when disabling an output. When this feature is turned off, the output clock will disable immediately without waiting for the period to complete.

3.9.12 Zero Delay Mode

A zero delay mode is available for applications that require fixed and consistent minimum delay between the selected input and outputs. The zero delay mode is configured by opening the internal feedback loop through software configuration and closing the loop externally as shown in the figure below.

This helps to cancel out the internal delay introduced by the dividers, the crosspoint, the input, and the output drivers. Any one of the outputs can be fed back to the FB_IN pins, although using the output driver that achieves the shortest trace length will help to minimize the input-to-output delay. The OUT9 and FB_IN pins are recommended for the external feedback connection. The FB_IN input pins must be terminated and ac-coupled when zero delay mode is used. A differential external feedback path connection is necessary for best performance. Note that the hitless switching feature is not available when zero delay mode is enabled.



Figure 3.15. Si5345 Zero Delay Mode Setup

3.9.13 Output Divider (R) Synchronization

All the output R dividers are reset to a known state during the power-up initialization period. This ensures consistent and repeatable phase alignment across all output drivers. Resetting the device using the RSTb pin or asserting the hard reset bit will have the same result.

3.10 Power Management

Unused inputs and output drivers can be powered down when unused. Consult the [Si5345/44/42 Rev D Family Reference Manual](#) and [ClockBuilder Pro](#) software for details.

3.11 In-Circuit Programming

The Si5345/44/42 is fully configurable using the serial interface (I²C or SPI). At power-up the device downloads its default register values from internal non-volatile memory (NVM). Application specific default configurations can be written into NVM allowing the device to generate specific clock frequencies at power-up. Writing default values to NVM is in-circuit programmable with normal operating power supply voltages applied to its V_{DD} and V_{DDA} pins. The NVM is two time writable. Once a new configuration has been written to NVM, the old configuration is no longer accessible. Refer to the [Si5345/44/42 Rev D Family Reference Manual](#) for a detailed procedure for writing registers to NVM.

3.12 Serial Interface

Configuration and operation of the Si5345/44/42 is controlled by reading and writing registers using the I²C or SPI interface. The I2C_SEL pin selects I²C or SPI operation. Communication with both 3.3 V and 1.8 V host is supported. The SPI mode operates in either 4-wire or 3-wire. See the [Si5345/44/42 Rev D Family Reference Manual](#) for details.

3.13 Custom Factory Preprogrammed Parts

For applications where a serial interface is not available for programming the device, custom pre-programmed parts can be ordered with a specific configuration written into NVM. A factory preprogrammed part will generate clocks at power-up. Custom, factory-preprogrammed devices are available. The [ClockBuilder Pro](#) software can be used to quickly and easily generate a custom part number for your configuration.

In less than three minutes, you will be able to generate a custom part number with a detailed data sheet addendum matching your design's configuration. Once you receive the confirmation email with the data sheet addendum, simply place an order with your local Skyworks sales representative. Samples of your preprogrammed device will typically ship in about two weeks.

3.14 Enabling Features and/or Configuration Settings Unavailable in ClockBuilder Pro for Factory Preprogrammed Devices

As with essentially all modern software utilities, the [ClockBuilder Pro](#) software is continually being updated and enhanced. By registering at <https://www.skyworksinc.com/>, you will be notified about changes and their impact. This update process will ultimately enable [ClockBuilder Pro](#) software users to access all features and register setting values documented in this data sheet and the [Si5345/44/42 Rev D Family Reference Manual](#).

However, if you must enable or access a feature or register setting value so that the device starts up with this feature or a register setting, but the feature or register setting is not yet available in CBPro, you must contact a Skyworks applications engineer for assistance. One example of this type of feature or custom setting is the customizable output amplitude and common voltages for the clock outputs. After careful review of your project file and requirements, the Skyworks applications engineer will email back your CBPro project file with your specific features and register settings enabled using what's referred to as the manual "settings override" feature of CBPro. "Override" settings to match your request(s) will be listed in your design report file. Examples of setting "overrides" in a CBPro design report are shown in the following table.

Table 3.3. Setting Overrides

| Location | Name | Type | Target | Dec Value | Hex Value |
|-------------|-----------------|--------|---------|-----------|-----------|
| 0x04535[0] | FORCE_HOLD | No NVM | N/A | 1 | 0x1 |
| 0x0B48[0:4] | OOF_DIV_CLK_DIS | User | OPN&EVB | 0 | 0x00 |

Once you receive the updated design file, simply open it in CBPro. The device will begin operation after startup with the values in the NVM file. The flowchart for this process is shown in the following figure.



Figure 3.16. Process for Requesting Non-Standard CBPro Features

Note: Contact Skyworks Technical Support at <https://www.skyworksinc.com/Support>.

4. Register Map

Refer to the [Si5345/44/42 Rev D Family Reference Manual](#) for a complete list of register descriptions and settings.

5. Electrical Specifications

Table 5.1. Recommended Operating Conditions¹

$V_{DD} = 1.8\text{ V} \pm 5\%$, $V_{DDA} = 3.3\text{ V} \pm 5\%$, $T_A = -40\text{ to }85\text{ }^\circ\text{C}$

| Parameter | Symbol | Min | Typ | Max | Unit |
|------------------------------------|------------|------|------|------|------------------|
| Ambient Temperature | T_A | -40 | 25 | 85 | $^\circ\text{C}$ |
| Junction Temperature | T_{JMAX} | — | — | 125 | $^\circ\text{C}$ |
| Core Supply Voltage | V_{DD} | 1.71 | 1.80 | 1.89 | V |
| | V_{DDA} | 3.14 | 3.30 | 3.47 | V |
| Clock Output Driver Supply Voltage | V_{DDO} | 3.14 | 3.30 | 3.47 | V |
| | | 2.37 | 2.50 | 2.62 | V |
| | | 1.71 | 1.80 | 1.89 | V |
| Status Pin Supply Voltage | V_{DDS} | 3.14 | 3.30 | 3.47 | V |
| | | 1.71 | 1.80 | 1.89 | V |

Note:

1. All minimum and maximum specifications are guaranteed and apply across the recommended operating conditions. Typical values apply at nominal supply voltages and an operating temperature of $25\text{ }^\circ\text{C}$ unless otherwise noted.

Table 5.2. DC Characteristics
 $V_{DD} = 1.8\text{ V} \pm 5\%$, $V_{DDA} = 3.3\text{ V} \pm 5\%$, $V_{DDO} = 1.8\text{ V} \pm 5\%$, $2.5\text{ V} \pm 5\%$, or $3.3\text{ V} \pm 5\%$, $T_A = -40\text{ to }85\text{ }^\circ\text{C}$

| Parameter | Symbol | Test Condition | Min | Typ | Max | Unit |
|--|------------|--|-----|-----|------|------|
| Core Supply Current ^{1, 2, 3} | I_{DD} | | — | 135 | 260 | mA |
| | I_{DDA} | | — | 120 | 130 | mA |
| Output Buffer Supply Current | I_{DDOx} | LVPECL Output ⁴ @ 156.25 MHz | — | 22 | 26 | mA |
| | | LVDS Output ⁴ @ 156.25 MHz | — | 15 | 18 | mA |
| | | 3.3 V LVCMOS Output ⁵ @ 156.25 MHz | — | 22 | 30 | mA |
| | | 2.5 V LVCMOS Output ⁵ @ 156.25 MHz | — | 18 | 23 | mA |
| | | 1.8 V LVCMOS Output ⁵ @ 156.25 MHz | — | 12 | 16 | mA |
| Total Power Dissipation ⁶ | P_d | Si5345 ¹ | — | 900 | 1200 | mW |
| | | Si5344 ² | — | 730 | 1000 | mW |
| | | Si5342 ³ | — | 670 | 950 | mW |

Notes:

- Si5345 test configuration: 7 x 2.5 V LVDS outputs enabled at 156.25 MHz. Excludes power in termination resistors.
- Si5344 test configuration: 4 x 2.5 V LVDS outputs enabled at 156.25 MHz. Excludes power in termination resistors.
- Si5342 test configuration: 2 x 2.5 V LVDS outputs enabled at 156.25 MHz. Excludes power in termination resistors.
- Differential outputs terminated into an AC-coupled 100 Ω load.
- LVCMOS outputs measured into a 5-inch 50 Ω PCB trace with 4.7 pF load. The LVCMOS outputs were set to `OUTx_CMOS_DRV = 3`, which is the strongest driver setting. Refer to the [Si5345/44/42 Rev D Family Reference Manual](#) for more details on register

Differential Output Test Configuration**LVCMOS Output Test Configuration**

settings.

- Detailed power consumption for any configuration can be estimated using [ClockBuilder Pro](#) when an evaluation board (EVB) is not available. All EVBs support detailed current measurements for any configuration.

Table 5.3. Input Clock Specifications
 $V_{DD} = 1.8\text{ V} \pm 5\%$, $V_{DDA} = 3.3\text{ V} \pm 5\%$, $T_A = -40\text{ to }85\text{ }^\circ\text{C}$

| Parameter | Symbol | Test Condition | Min | Typ | Max | Unit |
|--|------------------------|---|-------|-----|-------|------------|
| Standard AC-Coupled Differential or Single-Ended (IN0/IN0b, IN1/IN1b, IN2/IN2b, IN3/IN3b, FB_IN/FB_INb) | | | | | | |
| Input Frequency Range | f_{IN} | Differential | 0.008 | — | 750 | MHz |
| | | All Single-ended signals (including LVCMOS) | 0.008 | — | 250 | MHz |
| Voltage Swing ¹ | V_{IN} | Differential AC-coupled $f_{IN} < 250\text{ MHz}$ | 100 | — | 1800 | mVpp_se |
| | | Differential AC-coupled $250\text{ MHz} < f_{IN} < 750\text{ MHz}$ | 225 | — | 1800 | mVpp_se |
| | | Single-ended AC-coupled $f_{IN} < 250\text{ MHz}$ | 100 | — | 3600 | mVpp_se |
| Slew Rate ^{2, 3} | SR | | 400 | — | — | V/ μ s |
| Duty Cycle | DC | | 40 | — | 60 | % |
| Input Capacitance | C_{IN} | | — | 2.4 | — | pF |
| Input Resistance Differential | R_{IN_DIFF} | | — | 16 | — | k Ω |
| Input Resistance Single-Ended | R_{IN_SE} | | — | 8 | — | k Ω |
| LVCMOS / Pulsed CMOS, DC-Coupled, Single-Ended (IN0, IN1, IN2, IN3, FB_IN)³ | | | | | | |
| Input Frequency | f_{IN_LVCMOS} | | 0.008 | — | 250 | MHz |
| | $f_{IN_PULSED_CMOS}$ | | 0.008 | — | 1.0 | MHz |
| Input Voltage | V_{IL} | | -0.2 | — | 0.4 | V |
| | V_{IH} | | 0.8 | — | — | V |
| Slew Rate ^{2, 3} | SR | | 400 | — | — | V/ μ s |
| Minimum Pulse Width | PW | Pulse Input | 1.6 | — | — | ns |
| Input Resistance | R_{IN} | | — | 8 | — | k Ω |
| REFCLK (Applied to XA/XB) | | | | | | |
| REFCLK Frequency | f_{IN_REF} | Full operating range. Jitter performance may be reduced. | 24.97 | — | 54.06 | MHz |
| | | Range for best jitter. | 48 | — | 54 | MHz |
| | | TCXO frequency for SyncE applications. Jitter performance may be reduced. | — | 40 | — | MHz |
| Input Single-ended Voltage Swing | V_{IN_SE} | | 365 | — | 2000 | mVpp_se |
| Input Differential Voltage Swing | V_{IN_DIFF} | | 365 | — | 2500 | mVpp_diff |
| Slew Rate ^{2, 3} | SR | | 400 | — | — | V/ μ s |

| Parameter | Symbol | Test Condition | Min | Typ | Max | Unit |
|------------------|--------|----------------|-----|-----|-----|------|
| Input Duty Cycle | DC | | 40 | — | 60 | % |

Note:

- Voltage swing is specified as single-ended mVpp.



- Recommended for specified jitter performance. Jitter performance could degrade if the minimum slew rate specification is not met. (See the [Si5345/44/42 Rev D Family Reference Manual](#) for more information.)
- Rise and fall times can be estimated using the following simplified equation: $t_r/t_f_{80-20} = ((0.8 - 0.2) \times V_{IN_Vpp_se}) / SR$. Pulsed CMOS mode is intended primarily for single-ended LVCMOS input clocks ≤ 1 MHz that must be dc-coupled because they have a duty cycle significantly less than 50%. A typical application example is a low-frequency video frame sync pulse. Since the input thresholds (V_{IL} , V_{IH}) of this buffer are non-standard (0.4 and 0.8 V, respectively) refer to the input attenuator circuit for dc-coupled pulsed LVCMOS in the [Si5345/44/42 Rev D Family Reference Manual](#). Otherwise, for standard LVCMOS input clocks, use the Standard Differential or Single-Ended ac-coupled input mode.

Table 5.4. Control Input Pin Specifications

$V_{DD} = 1.8 \text{ V} \pm 5\%$, $V_{DDA} = 3.3 \text{ V} \pm 5\%$, $V_{DDS} = 3.3 \text{ V} \pm 5\%$, $1.8 \text{ V} \pm 5\%$, $T_A = -40$ to $85 \text{ }^\circ\text{C}$

| Parameter | Symbol | Test Condition | Min | Typ | Max | Unit |
|--|----------|---------------------|-------------------------|-----|-------------------------|---------------|
| Si5345 Control Input Pins (I2C_SEL, IN_SEL[1:0], RSTb, OEb, A1, SCLK, A0/CSb, FINC, FDEC, SDA/SDIO) | | | | | | |
| Input Voltage | V_{IL} | | — | — | $0.3 \times V_{DDIO}^1$ | V |
| | V_{IH} | | $0.7 \times V_{DDIO}^1$ | — | — | V |
| Input Capacitance | C_{IN} | | — | 1.5 | — | pF |
| Input Resistance | R_{IN} | | — | 20 | — | k Ω |
| Minimum Pulse Width | PW | RSTb, FINC and FDEC | 100 | — | — | ns |
| Update Rate | T_{UR} | FINC and FDEC | 1 | — | — | μs |
| Si5344/42 Control Input Pins (I2C_SEL, IN_SEL[1:0], RSTb, OEb, A1, SCLK, A0/CSb, SDA/SDIO) | | | | | | |
| Input Voltage | V_{IL} | | — | — | $0.3 \times V_{DDIO}^1$ | V |
| | V_{IH} | | $0.7 \times V_{DDIO}^1$ | — | — | V |
| Input Capacitance | C_{IN} | | — | 1.5 | — | pF |
| Input Resistance | R_{IN} | | — | 20 | — | k Ω |
| Minimum Pulse Width | PW | RSTb | 100 | — | — | ns |

Note:

- V_{DDIO} is determined by the IO_VDD_SEL bit. It is selectable as V_{DDA} or V_{DD} . See the [Si5345/44/42 Rev D Family Reference Manual](#) for more details on the proper register settings.

Table 5.5. Differential Clock Output Specifications
 $V_{DD} = 1.8\text{ V} \pm 5\%$, $V_{DDA} = 3.3\text{ V} \pm 5\%$, $V_{DDO} = 1.8\text{ V} \pm 5\%$, $2.5\text{ V} \pm 5\%$, or $3.3\text{ V} \pm 5\%$, $T_A = -40\text{ to }85\text{ }^\circ\text{C}$

| Parameter | Symbol | Test Condition | | Min | Typ | Max | Unit |
|---|-----------|---|--------|--------|------|--------|----------|
| Si5345/44/42 | | | | | | | |
| Output Frequency | f_{OUT} | MultiSynth not used | | 0.0001 | — | 720 | MHz |
| | | | | 733.33 | — | 800.00 | MHz |
| | | | | 825 | — | 1028 | MHz |
| | | MultiSynth used | | 0.0001 | — | 720 | MHz |
| Duty Cycle | DC | $f_{OUT} < 400\text{ MHz}$ | | 48 | — | 52 | % |
| | | $400\text{ MHz} < f_{OUT} < 1028\text{ MHz}$ | | 45 | — | 55 | % |
| Output-Output Skew Using Same MultiSynth | T_{SKS} | Outputs on same MultiSynth (Measured at 712.5 MHz) | | — | 0 | 75 | ps |
| OUT-OUTb Skew | TSK_OUT | Measured from the positive to negative output pins | | — | 0 | 50 | ps |
| Output Voltage Swing ¹ | VOUT | $V_{DDO} = 3.3\text{ V}, 2.5\text{ V}, 1.8\text{ V}$ | LVDS | 350 | 430 | 510 | mVpp_se |
| | | $V_{DDO} = 3.3\text{ V}, 2.5\text{ V}$ | LVPECL | 640 | 750 | 900 | mVpp_se |
| Common Mode Voltage ^{1, 2} (100 Ω load line-to-line) | VCM | $V_{DDO} = 3.3\text{ V}$ | LVDS | 1.10 | 1.2 | 1.3 | V |
| | | | LVPECL | 1.90 | 2.0 | 2.1 | V |
| | | $V_{DDO} = 2.5\text{ V}$ | LVPECL | 1.1 | 1.2 | 1.3 | V |
| | | | LVDS | 1.1 | 1.2 | 1.3 | V |
| $V_{DDO} = 1.8\text{ V}$ | sub-LVDS | 0.8 | 0.9 | 1.0 | V | | |
| Rise and Fall Times (20% to 80%) | tR/tF | | | — | 100 | 150 | ps |
| Differential Output Impedance | ZO | | | — | 100 | — | Ω |
| Power Supply Noise Rejection ² | PSRR | 10 kHz sinusoidal noise | | — | -101 | — | dBc |
| | | 100 kHz sinusoidal noise | | — | -96 | — | dBc |
| | | 500 kHz sinusoidal noise | | — | -99 | — | dBc |
| | | 1 MHz sinusoidal noise | | — | -97 | — | dBc |
| Output-output Crosstalk ³ | XTALK | Si5345 | | — | -72 | — | dBc |
| | | Si5342/44 | | — | -88 | — | dBc |

| Parameter | Symbol | Test Condition | Min | Typ | Max | Unit |
|---|--------|----------------|-----|-----|-----|------|
| Notes: | | | | | | |
| <p>1. Output amplitude and common-mode settings are programmable through register settings and can be stored in NVM. Each output driver can be programmed independently. Note that the maximum LVDS single-ended amplitude can be up to 110 mV higher than the TIA/EIA-644 maximum. Refer to the Si5345/44/42 Rev D Family Reference Manual for more suggested output settings. Not all combinations of voltage amplitude and common mode voltages settings are possible.</p> | | | | | | |
| | | | | | | |
| <p>2. Measured for 156.25 MHz carrier frequency. 100 mVpp sinewave noise added to VDDO = 3.3 V and noise spur amplitude measured.</p> | | | | | | |
| <p>3. Measured across two adjacent outputs, both in LVDS mode, with the victim running at 155.52 MHz and the aggressor at 156.25 MHz. Refer to “AN862: Optimizing Si534x Jitter Performance in Next Generation Internet Infrastructure Systems” for guidance on crosstalk optimization. Note that all active outputs must be terminated when measuring crosstalk.</p> | | | | | | |

Table 5.6. LVCMOS Clock Output Specifications
 $V_{DD} = 1.8\text{ V} \pm 5\%$, $V_{DDA} = 3.3\text{ V} \pm 5\%$, $V_{DDO} = 1.8\text{ V} \pm 5\%$, $2.5\text{ V} \pm 5\%$, or $3.3\text{ V} \pm 5\%$, $T_A = -40\text{ to }85\text{ }^\circ\text{C}$

| Parameter | Symbol | Test Condition | Min | Typ | Max | Unit | |
|---|-----------|---|--------------------------|-----------------------|-----|-----------------------|---|
| Output Frequency | f_{OUT} | | 0.0001 | — | 250 | MHz | |
| Duty Cycle | DC | $f_{OUT} < 100\text{ MHz}$ | 48 | — | 52 | % | |
| | | $100\text{ MHz} < f_{OUT} < 250\text{ MHz}$ | 45 | — | 55 | % | |
| Output Voltage High ^{1, 2, 3} | V_{OH} | $V_{DDO} = 3.3\text{ V}$ | | | | | |
| | | OUTx_CMOS_DRV = 1 | $I_{OH} = -10\text{ mA}$ | $V_{DDO} \times 0.85$ | — | — | V |
| | | OUTx_CMOS_DRV = 2 | $I_{OH} = -12\text{ mA}$ | $V_{DDO} \times 0.85$ | — | — | V |
| | | OUTx_CMOS_DRV = 3 | $I_{OH} = -17\text{ mA}$ | $V_{DDO} \times 0.85$ | — | — | V |
| | | $V_{DDO} = 2.5\text{ V}$ | | | | | |
| | | OUTx_CMOS_DRV = 1 | $I_{OH} = -6\text{ mA}$ | $V_{DDO} \times 0.85$ | — | — | V |
| | | OUTx_CMOS_DRV = 2 | $I_{OH} = -8\text{ mA}$ | $V_{DDO} \times 0.85$ | — | — | V |
| | | OUTx_CMOS_DRV = 3 | $I_{OH} = -11\text{ mA}$ | $V_{DDO} \times 0.85$ | — | — | V |
| | | $V_{DDO} = 1.8\text{ V}$ | | | | | |
| | | OUTx_CMOS_DRV = 2 | $I_{OH} = -4\text{ mA}$ | $V_{DDO} \times 0.85$ | — | — | V |
| | | OUTx_CMOS_DRV = 3 | $I_{OH} = -5\text{ mA}$ | $V_{DDO} \times 0.85$ | — | — | V |
| Output Voltage Low ^{1, 2, 3} | V_{OL} | $V_{DDO} = 3.3\text{ V}$ | | | | | |
| | | OUTx_CMOS_DRV = 1 | $I_{OL} = 10\text{ mA}$ | — | — | $V_{DDO} \times 0.15$ | V |
| | | OUTx_CMOS_DRV = 2 | $I_{OL} = 12\text{ mA}$ | — | — | $V_{DDO} \times 0.15$ | V |
| | | OUTx_CMOS_DRV = 3 | $I_{OL} = 17\text{ mA}$ | — | — | $V_{DDO} \times 0.15$ | V |
| | | $V_{DDO} = 2.5\text{ V}$ | | | | | |
| | | OUTx_CMOS_DRV = 1 | $I_{OL} = 6\text{ mA}$ | — | — | $V_{DDO} \times 0.15$ | V |
| | | OUTx_CMOS_DRV = 2 | $I_{OL} = 8\text{ mA}$ | — | — | $V_{DDO} \times 0.15$ | V |
| | | OUTx_CMOS_DRV = 3 | $I_{OL} = 11\text{ mA}$ | — | — | $V_{DDO} \times 0.15$ | V |
| | | $V_{DDO} = 1.8\text{ V}$ | | | | | |
| | | OUTx_CMOS_DRV = 2 | $I_{OL} = 4\text{ mA}$ | — | — | $V_{DDO} \times 0.15$ | V |
| | | OUTx_CMOS_DRV = 3 | $I_{OL} = 5\text{ mA}$ | — | — | $V_{DDO} \times 0.15$ | V |
| LVCMOS Rise and Fall Times ³ (20% to 80%) | tr/tf | $V_{DDO} = 3.3\text{ V}$ | — | 400 | 600 | ps | |
| | | $V_{DDO} = 2.5\text{ V}$ | — | 450 | 600 | ps | |
| | | $V_{DDO} = 1.8\text{ V}$ | — | 550 | 750 | ps | |

| Parameter | Symbol | Test Condition | Min | Typ | Max | Unit |
|--|--------|----------------|-----|-----|-----|------|
| Note: | | | | | | |
| 1. Driver strength is a register programmable setting and stored in NVM. Options are OUTx_CMOS_DRV = 1, 2, 3. Refer to the Si5345/44/42 Rev D Family Reference Manual for more details on register settings. | | | | | | |
| 2. I_{OL}/I_{OH} is measured at V_{OL}/V_{OH} as shown in the dc test configuration. | | | | | | |
| 3. A series termination resistor (R_s) is recommended to help match the source impedance to a 50 Ω PCB trace. A 5 pF capacitive load is assumed. The LVCMOS outputs were set to OUTx_CMOS_DRV = 3, at 156.25 MHz. | | | | | | |
| LVCMOS Output Test Configuration | | | | | | |
| | | | | | | |

Table 5.7. Output Status Pin Specifications

$V_{DD} = 1.8 \text{ V} \pm 5\%$, $V_{DDA} = 3.3 \text{ V} \pm 5\%$, $V_{DDS} = 3.3 \text{ V} \pm 5\%$, $1.8 \text{ V} \pm 5\%$, $T_A = -40 \text{ to } 85 \text{ }^\circ\text{C}$

| Parameter | Symbol | Test Condition | Min | Typ | Max | Unit |
|--|----------|--------------------------|--------------------------|-----|--------------------------|------|
| Si5345 Status Output Pins (LOLb, INTRb, SDA/SDIO¹, SDO) | | | | | | |
| Output Voltage | V_{OH} | $I_{OH} = -2 \text{ mA}$ | $V_{DDIO}^2 \times 0.85$ | — | — | V |
| | V_{OL} | $I_{OL} = 2 \text{ mA}$ | — | — | $V_{DDIO}^2 \times 0.15$ | V |
| Si5344/42 Status Output Pins (INTRb, SDA/SDIO¹, SDO) | | | | | | |
| Output Voltage | V_{OH} | $I_{OH} = -2 \text{ mA}$ | $V_{DDIO}^2 \times 0.85$ | — | — | V |
| | V_{OL} | $I_{OL} = 2 \text{ mA}$ | — | — | $V_{DDIO}^2 \times 0.15$ | V |
| Si5344 Status Output Pins (LOLb, LOS_XAXBb) | | | | | | |
| Si5342 Status Output Pins (LOLb, LOS_XAXBb, LOS0b, LOS1b, LOS2b, LOS3b) | | | | | | |
| Output Voltage | V_{OH} | $I_{OH} = -2 \text{ mA}$ | $V_{DDS} \times 0.85$ | — | — | V |
| | V_{OL} | $I_{OL} = 2 \text{ mA}$ | — | — | $V_{DDS} \times 0.15$ | V |

Notes:

- The V_{OH} specification does not apply to the open-drain SDA/SDIO output when the serial interface is in I²C mode or is unused with I2C_SEL pulled high. V_{OL} remains valid in all cases.
- V_{DDIO} is determined by the IO_VDD_SEL bit. It is selectable as V_{DDA} or V_{DD} . See the [Si5345/44/42 Rev D Family Reference Manual](#) for more details on the proper register settings.

Table 5.8. Performance Characteristics
 $V_{DD} = 1.8\text{ V} \pm 5\%$, $V_{DDA} = 3.3\text{ V} \pm 5\%$, $T_A = -40\text{ to }85\text{ }^\circ\text{C}$

| Parameter | Symbol | Test Condition | Min | Typ | Max | Unit |
|---|--------------|---|-----|------|------|----------|
| PLL Loop Bandwidth Programming Range ¹ | f_{BW} | | 0.1 | — | 4000 | Hz |
| Initial Start-Up Time | t_{START} | Time from power-up to when the device generates free-running clocks | — | 30 | 45 | ms |
| PLL Lock Time ² | t_{ACQ} | $f_{IN} = 19.44\text{ MHz}$ | — | 280 | 300 | ms |
| POR to Serial Interface Ready ³ | t_{RDY} | | — | — | 15 | ms |
| Jitter Peaking | J_{PK} | Measured with a frequency plan running a 25 MHz input, 25 MHz output, and a Loop Bandwidth of 4 Hz | — | — | 0.1 | dB |
| Jitter Tolerance | J_{TOL} | Compliant with G.8262 Options 1 and 2 Carrier Frequency = 10.3125 GHz Jitter Modulation Frequency = 10 Hz | — | 3180 | — | UI pk-pk |
| Maximum Phase Transient During a Hitless Switch | t_{SWITCH} | Manual or automatic switch between two input clocks at same frequency ⁵ | — | — | 2.0 | ns |
| Pull-in Range | ω_P | | — | 500 | — | ppm |
| Zero-Delay Mode Input-to-Output Delay | t_{ZDELAY} | Delay between reference and feedback input with both clocks at 10 MHz and same slew rate. Ref clock rise time must be <200 ps. ⁶ | — | 110 | — | ps |
| RMS Phase Jitter ⁴ | J_{GEN} | Integer Mode 12 kHz to 20 MHz | — | 90 | 145 | fs rms |
| | | Fractional Mode 12 kHz to 20 MHz | — | 120 | 170 | fs rms |

Note:

- Actual loop bandwidth might be lower; please refer to CBPro for actual value for your frequency plan.
- Lock Time can vary significantly depending on several parameters, such as bandwidths, LOL thresholds, etc. For this case, lock time was measured with nominal and fastlock bandwidths set to 100 Hz, LOL set/clear thresholds of 6/0.6 ppm respectively, using IN0 as clock reference by removing the reference and enabling it again, then measuring the delta time between the first rising edge of the clock reference and the LOL indicator deassertion.
- Measured as time from valid VDD/VDDA rails (90% of their value) to when the serial interface is ready to respond to commands.
- Jitter generation test conditions: $f_{IN} = 19.44\text{ MHz}$, $f_{OUT} = 156.25\text{ MHz}$ LVPECL, loop bandwidth = 100 Hz, $F_{XTAL} = 48\text{ MHz}$.
- For input frequency configurations that have $F_{pfd} > 1\text{ MHz}$, consult your CBPro design report for the F_{pfd} frequency of your configuration.
- Delay is dependent on frequency configuration. Using $F_{pfd} < 64\text{ kHz}$ will result in higher delay values.

Table 5.9. I²C Timing Specifications (SCL,SDA)

| Parameter | Symbol | Test Condition | Standard Mode | | Fast Mode | | Unit |
|--|--------------|-------------------------|---------------|------|-----------|-----|---------|
| | | | 100 kbps | | 400 kbps | | |
| | | | Min | Max | Min | Max | |
| SCL Clock Frequency | f_{SCL} | | — | 100 | — | 400 | kHz |
| SMBus Timeout | — | When Timeout is Enabled | 25 | 35 | 25 | 35 | ms |
| Hold time (Repeated) START condition | $t_{HD:STA}$ | | 4.0 | — | 0.6 | — | μ s |
| Low Period of the SCL Clock | t_{LOW} | | 4.7 | — | 1.3 | — | μ s |
| HIGH Period of the SCL Clock | t_{HIGH} | | 4.0 | — | 0.6 | — | μ s |
| Setup Time for a Repeated START Condition | $t_{SU:STA}$ | | 4.7 | — | 0.6 | — | μ s |
| Data Hold Time | $t_{HD:DAT}$ | | 100 | — | 100 | — | ns |
| Data Setup Time | $t_{SU:DAT}$ | | 250 | — | 100 | — | ns |
| Rise Time of both SDA and SCL Signals | t_r | | — | 1000 | 20 | 300 | ns |
| Fall Time of both SDA and SCL Signals | t_f | | — | 300 | — | 300 | ns |
| Setup Time for STOP Condition | $t_{SU:STO}$ | | 4.0 | — | 0.6 | — | μ s |
| Bus Free Time between a STOP and START Condition | t_{BUF} | | 4.7 | — | 1.3 | — | μ s |
| Data Valid Time | $t_{VD:DAT}$ | | — | 3.45 | — | 0.9 | μ s |
| Data Valid Acknowledge Time | $t_{VD:ACK}$ | | — | 3.45 | — | 0.9 | μ s |



Figure 5.1. I²C Serial Port Timing Standard and Fast Modes

Table 5.10. SPI Timing Specifications (4-Wire)
 $V_{DD} = 1.8\text{ V} \pm 5\%$, $V_{DDA} = 3.3\text{V} \pm 5\%$, $T_A = -40\text{ to }85\text{ }^\circ\text{C}$

| Parameter | Symbol | Min | Typ | Max | Unit |
|---------------------------------------|------------------|-----|------|-----|----------------|
| SCLK Frequency | f_{SPI} | — | — | 20 | MHz |
| SCLK Duty Cycle | T_{DC} | 40 | — | 60 | % |
| SCLK Period | T_{C} | 50 | — | — | ns |
| Delay Time, SCLK Fall to SDO Active | T_{D1} | — | 12.5 | 18 | ns |
| Delay Time, SCLK Fall to SDO | T_{D2} | — | 10 | 15 | ns |
| Delay Time, CSb Rise to SDO Tri-State | T_{D3} | — | 10 | 15 | ns |
| Setup Time, CSb to SCLK | T_{SU1} | 5 | — | — | ns |
| Hold Time, SCLK Fall to CSb | T_{H1} | 5 | — | — | ns |
| Setup Time, SDI to SCLK Rise | T_{SU2} | 5 | — | — | ns |
| Hold Time, SDI to SCLK Rise | T_{H2} | 5 | — | — | ns |
| Delay Time Between Chip Selects (CSb) | T_{CS} | 2 | — | — | T_{C} |

**Figure 5.2. 4-Wire SPI Serial Interface Timing**

Table 5.11. SPI Timing Specifications (3-Wire)
 $V_{DD} = 1.8\text{ V} \pm 5\%$, $V_{DDA} = 3.3\text{ V} \pm 5\%$, $T_A = -40\text{ to }85\text{ }^\circ\text{C}$

| Parameter | Symbol | Min | Typ | Max | Unit |
|--|------------------|-----|------|-----|----------------|
| SCLK Frequency | f_{SPI} | — | — | 20 | MHz |
| SCLK Duty Cycle | T_{DC} | 40 | — | 60 | % |
| SCLK Period | T_{C} | 50 | — | — | ns |
| Delay Time, SCLK Fall to SDIO Turn-on | T_{D1} | — | 12.5 | 20 | ns |
| Delay Time, SCLK Fall to SDIO Next-bit | T_{D2} | — | 10 | 15 | ns |
| Delay Time, CSb Rise to SDIO Tri-State | T_{D3} | — | 10 | 15 | ns |
| Setup Time, CSb to SCLK | T_{SU1} | 5 | — | — | ns |
| Hold Time, CSb to SCLK Fall | T_{H1} | 5 | — | — | ns |
| Setup Time, SDI to SCLK Rise | T_{SU2} | 5 | — | — | ns |
| Hold Time, SDI to SCLK Rise | T_{H2} | 5 | — | — | ns |
| Delay Time Between Chip Selects (CSb) | T_{CS} | 2 | — | — | T_{C} |

**Figure 5.3. 3-Wire SPI Serial Interface Timing**

Table 5.12. Crystal Specifications

| Parameter | Symbol | Test Condition | Min | Typ | Max | Unit |
|--|------------|---|-------|-----|-------|---------|
| Crystal Frequency Range | f_{XTAL} | Full operating range. Jitter performance may be reduced. | 24.97 | — | 54.06 | MHz |
| | | Range for best jitter. | 48 | — | 54 | MHz |
| Load Capacitance | C_L | | — | 8 | — | pF |
| Crystal Drive Level | d_L | | — | — | 200 | μ W |
| Equivalent Series Resistance | r_{ESR} | Refer to the Si5345-44-42 Family Reference Manual to determine ESR and shunt capacitance. | | | | |
| Shunt Capacitance | C_O | | | | | |
| Note: | | | | | | |
| 1. Refer to the Si534x/8x Jitter Attenuators Recommended Crystal, TCXO and OCXOs Reference Manual for recommended 48 to 54 MHz crystals. The Si5345/44/42 are designed to work with crystals that meet these specifications. | | | | | | |

Table 5.13. Thermal Characteristics

| Parameter | Symbol | Test Condition ¹ | Value | Unit |
|--|---------------|-----------------------------|-------|----------------|
| Si5345-64QFN | | | | |
| Thermal Resistance Junction to Ambient | θ_{JA} | Still Air | 22 | $^{\circ}$ C/W |
| | | Air Flow 1 m/s | 19.4 | $^{\circ}$ C/W |
| | | Air Flow 2 m/s | 18.3 | $^{\circ}$ C/W |
| Thermal Resistance Junction to Case | θ_{JC} | | 9.5 | $^{\circ}$ C/W |
| Thermal Resistance Junction to Board | θ_{JB} | | 9.4 | $^{\circ}$ C/W |
| | Ψ_{JB} | | 9.3 | $^{\circ}$ C/W |
| Thermal Resistance Junction to Top Center | Ψ_{JT} | | 0.2 | $^{\circ}$ C/W |
| Si5344, Si5342-44QFN | | | | |
| Thermal Resistance Junction to Ambient | θ_{JA} | Still Air | 22.3 | $^{\circ}$ C/W |
| | | Air Flow 1 m/s | 19.4 | $^{\circ}$ C/W |
| | | Air Flow 2 m/s | 18.4 | $^{\circ}$ C/W |
| Thermal Resistance Junction to Case | θ_{JC} | | 10.9 | $^{\circ}$ C/W |
| Thermal Resistance Junction to Board | θ_{JB} | | 9.3 | $^{\circ}$ C/W |
| | Ψ_{JB} | | 9.2 | $^{\circ}$ C/W |
| Thermal Resistance Junction to Top Center | Ψ_{JT} | | 0.23 | $^{\circ}$ C/W |

| Parameter | Symbol | Test Condition ¹ | Value | Unit |
|--|--------|-----------------------------|-------|------|
| Note: | | | | |
| 1. Based on PCB Dimension: 3" x 4.5" PCB Thickness: 1.6 mm, PCB Land/Via: 36, Number of Cu Layers: 4 | | | | |

Table 5.14. Absolute Maximum Ratings ^{1, 2, 3}

| Parameter | Symbol | Test Condition | Value | Unit |
|--|-----------------------|--|------------------|--------------|
| DC Supply Voltage | V_{DD} | | -0.5 to 3.8 | V |
| | V_{DDA} | | -0.5 to 3.8 | V |
| | V_{DDO} | | -0.5 to 3.8 | V |
| | V_{DDS} | | -0.5 to 3.8 | V |
| Input Voltage Range | V_{I1} ⁴ | IN0-IN3/FB_IN | -1.0 to 3.8 | V |
| | V_{I2} | IN_SEL1, IN_SEL0, RSTb, OEb, I2C_SEL, FINC, FDEC, SDI, SCLK, A0/CSb, A1, SDA/SDIO | -0.5 to 3.8 | V |
| | V_{I3} | XA/XB | -0.5 to 2.7 | V |
| Latch-up Tolerance | LU | | JESD78 Compliant | |
| ESD Tolerance | HBM | 100 pF, 1.5 k Ω | 2.0 | kV |
| Storage Temperature Range | T_{STG} | | -55 to 150 | $^{\circ}$ C |
| Maximum Junction Temperature in Operation | T_{JCT} | | 125 | $^{\circ}$ C |
| Soldering Temperature (Pb-free profile) ⁵ | T_{PEAK} | | 260 | $^{\circ}$ C |
| Soldering Temperature Time at T_{PEAK} (Pb-free profile) ⁵ | T_P | | 20-40 | s |

Note:

- Permanent device damage may occur if the absolute maximum ratings are exceeded. Functional operation should be restricted to the conditions as specified in the operational sections of this data sheet. Exposure to absolute maximum rating conditions for extended periods may affect device reliability.
- 64-QFN and 44-QFN packages are RoHS-6 compliant.
- Moisture sensitivity level is MSL2. For more packaging information, go to the Skyworks https://www.skyworksinc.com/Product_Certificate.aspx.
- The minimum voltage at these pins can be as low as -1.0 V when an ac input signal of 8 kHz or greater is applied. See [Table 5.3 Input Clock Specifications on page 26](#) for single-ended ac-coupled $f_{IN} < 250$ MHz.
- The device is compliant with JEDEC J-STD-020.

6. Typical Application Schematic



Figure 6.1. 10G Ethernet Data Center Switch and Compute Blade Schematic



Figure 6.2. Sync E Line Card

7. Detailed Block Diagrams



Figure 7.1. Si5345 Block Diagram



Figure 7.2. Si5344 Block Diagram



Figure 7.3. Si5342 Block Diagram

8. Typical Operating Characteristics

The phase noise plots below were taken under the following conditions: $V_{DD} = 1.8\text{ V}$; $V_{DDA} = 3.3\text{ V}$; $V_{DDS} = 3.3\text{ V}, 1.8\text{ V}$; $T_A = 25\text{ }^\circ\text{C}$.



Figure 8.1. Input = 25 MHz; Output = 625 MHz, 2.5 V LVDS



Figure 8.2. Input = 25 MHz; Output = 156.25 MHz, 2.5 V LVDS



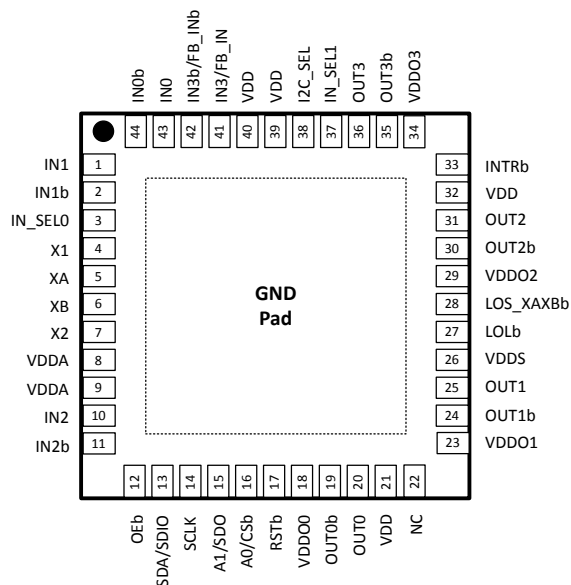
Figure 8.3. Input = 25 MHz; Output = 155.52 MHz, 2.5 V LVDS

9. Pin Descriptions

**Si5345
Top View**



**Si5344 44QFN
Top View**



**Si5342 44QFN
Top View**

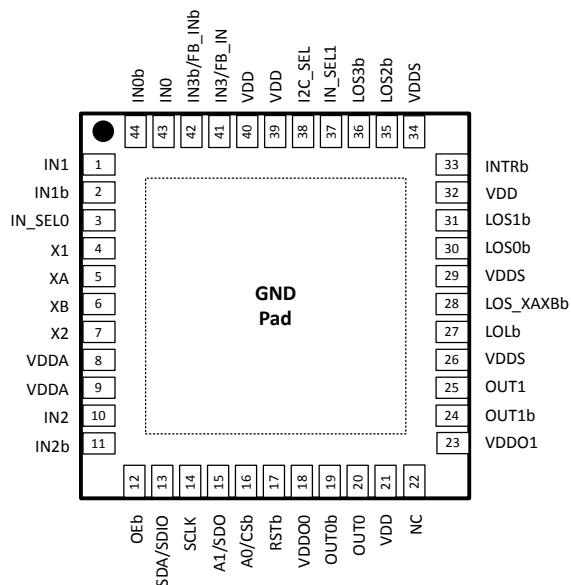


Table 9.1. Si5345/44/42 Pin Descriptions

| Pin Name | Pin Number | | | Pin Type ¹ | Function |
|---------------|------------|--------|--------|-----------------------|--|
| | Si5345 | Si5344 | Si5342 | | |
| Inputs | | | | | |
| XA | 8 | 5 | 5 | I | Crystal Input. Input pins for external crystal (XTAL). Alternatively these pins can be driven with an external reference clock (REFCLK). An internal register bit selects XTAL or REFCLK mode. Default is XTAL mode. |
| XB | 9 | 6 | 6 | I | |
| X1 | 7 | 4 | 4 | I | XTAL Shield. Connect these pins directly to the XTAL ground pins. X1, X2 and the XTAL ground pins should be separated from the PCB ground plane. Refer to the Si5345/44/42 Rev D Family Reference Manual for layout guidelines. These pins should be left disconnected when connecting XA/XB pins to an external reference clock (REFCLK). |
| X2 | 10 | 7 | 7 | I | |
| IN0 | 63 | 43 | 43 | I | Clock Inputs. These pins accept an input clock for synchronizing the device. They support both differential and single-ended clock signals. Refer to 3.7.6 Input Configuration and Terminations for input termination options. These pins are high-impedance and must be terminated externally. The negative side of the differential input must be grounded through a capacitor when accepting a single-ended clock. |
| IN0b | 64 | 44 | 44 | I | |
| IN1 | 1 | 1 | 1 | I | |
| IN1b | 2 | 2 | 2 | I | |
| IN2 | 14 | 10 | 10 | I | |
| IN2b | 15 | 11 | 11 | I | |
| IN3/FB_IN | 61 | 41 | 41 | I | Clock Input 3/External Feedback Input. By default these pins are used as the fourth clock input (IN3/IN3b). They can also be used as the external feedback input (FB_IN/FB_INb) for the optional zero delay mode. See 3.9.12 Zero Delay Mode for details on the optional zero delay mode. |
| IN3b/FB_INb | 62 | 42 | 42 | I | |

Table 9.2. Si5345/44/42 Pin Descriptions

| Pin Name | Pin Number | | | Pin Type ¹ | Function |
|-------------------------|------------|--------|--------|-----------------------|---|
| | Si5345 | Si5344 | Si5342 | | |
| Outputs | | | | | |
| OUT0 | 24 | 20 | 20 | O | <p>Output Clocks. These output clocks support a programmable signal swing and common mode voltage. Desired output signal format is configurable using register control. Termination recommendations are provided in 3.9.3 Differential Output Terminations and 3.9.4 LVCMOS Output Terminations. Unused outputs should be left unconnected.</p> |
| OUT0b | 23 | 19 | 19 | O | |
| OUT1 | 28 | 25 | 25 | O | |
| OUT1b | 27 | 24 | 24 | O | |
| OUT2 | 31 | 31 | — | O | |
| OUT2b | 30 | 30 | — | O | |
| OUT3 | 35 | 36 | — | O | |
| OUT3b | 34 | 35 | — | O | |
| OUT4 | 38 | — | — | O | |
| OUT4b | 37 | — | — | O | |
| OUT5 | 42 | — | — | O | |
| OUT5b | 41 | — | — | O | |
| OUT6 | 45 | — | — | O | |
| OUT6b | 44 | — | — | O | |
| OUT7 | 51 | — | — | O | |
| OUT7b | 50 | — | — | O | |
| OUT8 | 54 | — | — | O | |
| OUT8b | 53 | — | — | O | |
| OUT9 | 59 | — | — | O | |
| OUT9b | 58 | — | — | O | |
| Serial Interface | | | | | |
| I2C_SEL | 39 | 38 | 38 | I | <p>I²C Select². This pin selects the serial interface mode as I²C (I2C_SEL = 1) or SPI (I2C_SEL = 0). This pin is internally pulled up by a ~ 20 kΩ resistor to the voltage selected by the IO_VDD_SEL register bit.</p> |
| SDA/SDIO | 18 | 13 | 13 | I/O | <p>Serial Data Interface²</p> <p>This is the bidirectional data pin (SDA) for the I²C mode, or the bidirectional data pin (SDIO) in the 3-wire SPI mode, or the input data pin (SDI) in 4-wire SPI mode. When in I²C mode, this pin must be pulled-up using an external resistor of at least 1 kΩ. No pull-up resistor is needed when is SPI mode. Tie low when unused.</p> |

| Pin Name | Pin Number | | | Pin Type ¹ | Function |
|-----------------------|------------|--------|--------|-----------------------|--|
| | Si5345 | Si5344 | Si5342 | | |
| A1/SDO | 17 | 15 | 15 | I/O | Address Select 1/Serial Data Output² In I ² C mode, this pin functions as the A1 address input pin and does not have an internal pull-up or pull-down resistor. In 4-wire SPI mode this is the serial data output (SDO) pin and drives high to the voltage selected by the IO_VDD_SEL bit. Leave disconnected when unused. |
| SCLK | 16 | 14 | 14 | I | Serial Clock Input² This pin functions as the serial clock input for both I ² C and SPI modes. When in I ² C mode, this pin must be pulled-up using an external resistor of at least 1 kΩ. No pull-up resistor is needed when in SPI mode. Tie high or low when unused. |
| A0/CSb | 19 | 16 | 16 | I | Address Select 0/Chip Select² This pin functions as the hardware controlled address A0 in I ² C mode. In SPI mode, this pin functions as the chip select input (active low). This pin is internally pulled-up by a ~20 kΩ resistor and can be left unconnected when not in use. |
| Control/Status | | | | | |
| INTRb | 12 | 33 | 33 | O | Interrupt² This pin is asserted low when a change in device status has occurred. It should be left unconnected when not in use. |
| RSTb | 6 | 17 | 17 | I | Device Reset² Active low input that performs power-on reset (POR) of the device. Resets all internal logic to a known state and forces the device registers to their default values. Clock outputs are disabled during reset. This pin is internally pulled-up and can be left unconnected when not in use. |
| OEB | 11 | 12 | 12 | I | Output Enable² This pin disables all outputs when held high. This pin is internally pulled low and can be left unconnected when not in use. |
| LOLb | 47 | — | — | O | Loss Of Lock (Si5345)² This output pin indicates when the DSPLL is locked (high) or out-of-lock (low). It can be left unconnected when not in use. |
| | — | 27 | 27 | O | Loss Of Lock (Si5344/42)³ This output pin indicates when the DSPLL is locked (high) or out-of-lock (low). It can be left unconnected when not in use. |
| LOS0b | — | — | 30 | O | Loss Of Signal for IN0³ This pin indicate a loss of clock at the IN0 pin when low. |
| LOS1b | — | — | 31 | O | Loss Of Signal for IN1³ This pin indicate a loss of clock at the IN1 pin when low. |
| LOS2b | — | — | 35 | O | Loss Of Signal for IN2³ This pin indicate a loss of clock at the IN2 pin when low. |

| Pin Name | Pin Number | | | Pin Type ¹ | Function |
|--------------|------------|--------|--------|-----------------------|---|
| | Si5345 | Si5344 | Si5342 | | |
| LOS3b | — | — | 36 | O | Loss Of Signal for IN3³ This pin indicate a loss of clock at the IN3 pin when low. |
| LOS_XAXBb | — | 28 | 28 | O | Loss Of Signal on XA/XB Pins³ This pin indicates a loss of signal at the XA/XB pins when low. |
| FINC | 48 | — | — | I | Frequency Increment Pin² This pin is used to step-up the output frequency of a selected output. The affected output and its frequency change step size is register configurable. This pin is internally pulled low and can be left unconnected when not in use. |
| FDEC | 25 | — | — | I | Frequency Decrement Pin² This pin is used to step-down the output frequency of a selected output. The affected output driver and its frequency change step size is register configurable. This pin is internally pulled low and can be left unconnected when not in use. |
| IN_SEL0 | 3 | 3 | 3 | I | Input Reference Select² The IN_SEL[1:0] pins are used in manual pin controlled mode to select the active clock input as shown in Table 3.1 Manual Input Selection Using IN_SEL[1:0] Pins on page 10 . These pins are internally pulled low. |
| IN_SEL1 | 4 | 37 | 37 | I | |
| RSVD | 5 | — | — | — | Reserved These pins are connected to the die. Leave disconnected. |
| | 20 | — | — | — | |
| | 21 | — | — | — | |
| | 55 | — | — | — | |
| | 56 | — | — | — | |
| NC | — | 22 | 22 | | No Connect These pins are not connected to the die. Leave disconnected. |
| Power | | | | | |
| VDD | 32 | 21 | 21 | P | Core Supply Voltage The device operates from a 1.8 V supply. A 1.0 µF bypass capacitor should be placed very close to this pin. See the Si5345/44/42 Rev D Family Reference Manual for power supply filtering recommendations. |
| | 46 | 32 | 32 | P | |
| | 60 | 39 | 39 | P | |
| | — | 40 | 40 | P | |
| VDDA | 13 | 8 | 8 | P | Core Supply Voltage 3.3 V This core supply pin requires a 3.3 V power source. A 1 µF bypass capacitor should be placed very close to this pin. See the Si5345/44/42 Rev D Family Reference Manual for power supply filtering recommendations. |
| | — | 9 | 9 | P | |
| VDDS | — | 26 | 26 | P | Status Output Voltage The voltage on this pin determines VOL/VOH on the Si5342/44 LOL_A and LOL_B outputs. Connect to either 3.3 V or 1.8 V. A 1.0 µF bypass capacitor should be placed very close to this pin. |
| | — | — | 29 | P | |
| | — | — | 34 | P | |

| Pin Name | Pin Number | | | Pin Type ¹ | Function |
|----------|------------|--------|--------|-----------------------|---|
| | Si5345 | Si5344 | Si5342 | | |
| VDDO0 | 22 | 18 | 18 | P | Output Clock Supply Voltage Supply voltage (3.3 V, 2.5 V, 1.8 V) for OUTn, OUTn outputs. For unused outputs, leave VDDO pins unconnected. An alternative option is to connect the VDDO pin to a power supply and disable the output driver to minimize current consumption. |
| VDDO1 | 26 | 23 | 23 | P | |
| VDDO2 | 29 | 29 | — | P | |
| VDDO3 | 33 | 34 | — | P | |
| VDDO4 | 36 | — | — | P | |
| VDDO5 | 40 | — | — | P | |
| VDDO6 | 43 | — | — | P | |
| VDDO7 | 49 | — | — | P | |
| VDDO8 | 52 | — | — | P | |
| VDDO9 | 57 | — | — | P | |
| GND PAD | — | — | — | P | Ground Pad This pad provides connection to ground and must be connected for proper operation. Use as many vias as practical, and keep the via length to an internal ground plane as short as possible. |

Note:

1. I = Input, O = Output, P = Power.
2. The IO_VDD_SEL control bit (0x0943 bit 0) selects 3.3 V or 1.8 V operation.
3. The voltage on the VDDS pin(s) determines 3.3 V or 1.8 V operation.
4. Refer to the [Si5345/44/42 Rev D Family Reference Manual](#) for more information on register setting names.
5. All status pins except I²C and SPI are push-pull.

10. Package Outlines

10.1 Si5345 9x9 mm 64-QFN Package Diagram

The following figure illustrates the package details for the Si5345. The table lists the values for the dimensions shown in the illustration.



Figure 10.1. 64-Pin Quad Flat No-Lead (QFN)

Table 10.1. Package Dimensions

| Dimension | Min | Nom | Max |
|-----------|----------|------|------|
| A | 0.80 | 0.85 | 0.90 |
| A1 | 0.00 | 0.02 | 0.05 |
| b | 0.18 | 0.25 | 0.30 |
| D | 9.00 BSC | | |
| D2 | 5.10 | 5.20 | 5.30 |
| e | 0.50 BSC | | |
| E | 9.00 BSC | | |
| E2 | 5.10 | 5.20 | 5.30 |
| L | 0.30 | 0.40 | 0.50 |
| aaa | — | — | 0.10 |
| bbb | — | — | 0.10 |
| ccc | — | — | 0.08 |
| ddd | — | — | 0.10 |

Note:

1. All dimensions shown are in millimeters (mm) unless otherwise noted.
2. Dimensioning and Tolerancing per ANSI Y14.5M-1994.
3. This drawing conforms to the JEDEC Solid State Outline MO-220.
4. Recommended card reflow profile is per the JEDEC/IPC J-STD-020 specification for Small Body Components.

10.2 Si5344 and Si5342 7x7 mm 44-QFN Package Diagram

The following figure illustrates the package details for the Si5344 and Si5342. The table lists the values for the dimensions shown in the illustration.



Figure 10.2. 44-Pin Quad Flat No-Lead (QFN)

Table 10.2. Package Dimensions

| Dimension | Min | Nom | Max |
|-----------|----------|------|------|
| A | 0.80 | 0.85 | 0.90 |
| A1 | 0.00 | 0.02 | 0.05 |
| b | 0.18 | 0.25 | 0.30 |
| D | 7.00 BSC | | |
| D2 | 5.10 | 5.20 | 5.30 |
| e | 0.50 BSC | | |
| E | 7.00 BSC | | |
| E2 | 5.10 | 5.20 | 5.30 |
| L | 0.30 | 0.40 | 0.50 |
| aaa | — | — | 0.10 |
| bbb | — | — | 0.10 |
| ccc | — | — | 0.08 |
| ddd | — | — | 0.10 |

Note:

1. All dimensions shown are in millimeters (mm) unless otherwise noted.
2. Dimensioning and Tolerancing per ANSI Y14.5M-1994.
3. This drawing conforms to the JEDEC Solid State Outline MO-220.
4. Recommended card reflow profile is per the JEDEC/IPC J-STD-020 specification for Small Body Components.

11. PCB Land Pattern

The following figure illustrates the PCB land pattern details for the devices. The table lists the values for the dimensions shown in the illustration.



Figure 11.1. PCB Land Pattern

Table 11.1. PCB Land Pattern Dimensions

| Dimension | Si5345 (Max) | Si5344/42 (Max) |
|-----------|--------------|-----------------|
| C1 | 8.90 | 6.90 |
| C2 | 8.90 | 6.90 |
| E | 0.50 | 0.50 |
| X1 | 0.30 | 0.30 |
| Y1 | 0.85 | 0.85 |
| X2 | 5.30 | 5.30 |
| Y2 | 5.30 | 5.30 |

Notes:**General**

1. All dimensions shown are in millimeters (mm) unless otherwise noted.
2. This Land Pattern Design is based on the IPC-7351 guidelines.
3. All dimensions shown are at Maximum Material Condition (MMC). Least Material Condition is calculated based on a fabrication Allowance of 0.05 mm.

Solder Mask Design

1. All metal pads are to be non-solder mask defined (NSMD). Clearance between the solder mask and the metal pad is to be 60 μm minimum, all the way around the pad.

Stencil Design

1. A stainless steel, laser-cut and electropolished stencil with trapezoidal walls should be used to assure good solder paste release.
2. The stencil thickness should be 0.125 mm (5 mils).
3. The ratio of stencil aperture to land pad size should be 1:1 for all perimeter pads.
4. A 3x3 array of 1.25 mm square openings on 1.80 mm pitch should be used for the center ground pad.

Card Assembly

1. A No-Clean, Type-3 solder paste is recommended.
2. The recommended card reflow profile is per the JEDEC/IPC J-STD-020 specification for Small Body Components.

12. Top Marking



Figure 12.1. Si5345/44/42 Top Marking

Table 12.1. Top Marking Explanation

| Line | Characters | Description |
|------|---|---|
| 1 | Si534fg- | <p>Base part number and Device Grade for Any-frequency, Any-output, Jitter Cleaning Clock (single PLL):</p> <p>f = 5: 10-output Si5345: 64-QFN f = 4: 4-output Si5344: 44-QFN f = 2: 2-output Si5342: 44-QFN</p> <p>g = Device Grade (A, B, C, D). See 2. Ordering Guide for more information. – = Dash character.</p> |
| 2 | Rxxxxx-GM | <p>R = Product revision. (Refer to 2. Ordering Guide for latest revision).</p> <p>xxxxx = Customer specific NVM sequence number. Optional NVM code assigned for custom, factory pre-programmed devices.</p> <p>Characters are not included for standard, factory default configured devices. See 2. Ordering Guide for more information.</p> <p>-GM = Package (QFN) and temperature range (–40 to +85 °C)</p> |
| 3 | YYWWTTTTTT | <p>YYWW = Characters correspond to the year (YY) and work week (WW) of package assembly.</p> <p>TTTTTT = Manufacturing trace code.</p> |
| 4 | Circle w/ 1.6 mm (64-QFN) or 1.4 mm (44-QFN) diameter | Pin 1 indicator; left-justified |
| | e4 TW | Pb-free symbol; Center-Justified TW = Taiwan; Country of Origin (ISO Abbreviation) |

13. Device Errata

Log in or register at <https://www.skyworksinc.com/> to access the device errata document.

14. Revision History

Revision 1.2

September, 2018

- Updated [Figure 3.3 Crystal Resonator and External Reference Clock Connection Options](#) on page 10.
- Updated [Figure 3.4 Termination of Differential and LVCMOS Input Signals](#) on page 12.
- Updated [Figure 3.13 Supported Differential Output Terminations](#) on page 18.
- Removed Output Skew Control section.
- Updated [Table 5.2 DC Characteristics](#) on page 25
 - Updated Note 5 and LVCMOS Output Test Configuration circuit.
- Updated [Table 5.3 Input Clock Specifications](#) on page 26.
- Updated [Table 5.4 Control Input Pin Specifications](#) on page 27.
 - Updated Input Capacitance specification.
- Updated [Table 5.5 Differential Clock Output Specifications](#) on page 28.
- Updated [Table 5.6 LVCMOS Clock Output Specifications](#) on page 30.
 - Updated LVCMOS Output Test Configuration under Note 3.
- Updated [Table 5.8 Performance Characteristics](#) on page 32.
 - Changed "Input-to-Output Delay" specification to "Zero-Delay Mode Input-to-Output Delay".
- Updated [Table 5.12 Crystal Specifications](#) on page 37.
- Updated [Table 5.14 Absolute Maximum Ratings](#) ^{1, 2, 3} on page 38.

Revision 1.1

August, 2017

- Refer to AN1006 for a list of changes from Rev B to Rev D.
- Updated block diagram on the front page.
- Minor changes to the following tables:
 - [Table 5.3 Input Clock Specifications](#) on page 26
 - [Table 5.8 Performance Characteristics](#) on page 32
 - [Table 5.12 Crystal Specifications](#) on page 37
 - [Table 5.14 Absolute Maximum Ratings](#) ^{1, 2, 3} on page 38

Revision 1.0

July, 2016

- Initial release.



SKYWORKS®

ClockBuilder Pro

Customize Skyworks clock generators, jitter attenuators and network synchronizers with a single tool. With CBPro you can control evaluation boards, access documentation, request a custom part number, export for in-system programming and more!

www.skyworksinc.com/CBPro



Portfolio

www.skyworksinc.com/ia/timing



SW/HW

www.skyworksinc.com/CBPro



Quality

www.skyworksinc.com/quality



Support & Resources

www.skyworksinc.com/support

Copyright © 2021 Skyworks Solutions, Inc. All Rights Reserved.

Information in this document is provided in connection with Skyworks Solutions, Inc. ("Skyworks") products or services. These materials, including the information contained herein, are provided by Skyworks as a service to its customers and may be used for informational purposes only by the customer. Skyworks assumes no responsibility for errors or omissions in these materials or the information contained herein. Skyworks may change its documentation, products, services, specifications or product descriptions at any time, without notice. Skyworks makes no commitment to update the materials or information and shall have no responsibility whatsoever for conflicts, incompatibilities, or other difficulties arising from any future changes.

No license, whether express, implied, by estoppel or otherwise, is granted to any intellectual property rights by this document. Skyworks assumes no liability for any materials, products or information provided hereunder, including the sale, distribution, reproduction or use of Skyworks products, information or materials, except as may be provided in Skyworks' Terms and Conditions of Sale.

THE MATERIALS, PRODUCTS AND INFORMATION ARE PROVIDED "AS IS" WITHOUT WARRANTY OF ANY KIND, WHETHER EXPRESS, IMPLIED, STATUTORY, OR OTHERWISE, INCLUDING FITNESS FOR A PARTICULAR PURPOSE OR USE, MERCHANTABILITY, PERFORMANCE, QUALITY OR NON-INFRINGEMENT OF ANY INTELLECTUAL PROPERTY RIGHT; ALL SUCH WARRANTIES ARE HEREBY EXPRESSLY DISCLAIMED. SKYWOKS DOES NOT WARRANT THE ACCURACY OR COMPLETENESS OF THE INFORMATION, TEXT, GRAPHICS OR OTHER ITEMS CONTAINED WITHIN THESE MATERIALS. SKYWOKS SHALL NOT BE LIABLE FOR ANY DAMAGES, INCLUDING BUT NOT LIMITED TO ANY SPECIAL, INDIRECT, INCIDENTAL, STATUTORY, OR CONSEQUENTIAL DAMAGES, INCLUDING WITHOUT LIMITATION, LOST REVENUES OR LOST PROFITS THAT MAY RESULT FROM THE USE OF THE MATERIALS OR INFORMATION, WHETHER OR NOT THE RECIPIENT OF MATERIALS HAS BEEN ADVISED OF THE POSSIBILITY OF SUCH DAMAGE.

Skyworks products are not intended for use in medical, lifesaving or life-sustaining applications, or other equipment in which the failure of the Skyworks products could lead to personal injury, death, physical or environmental damage. Skyworks customers using or selling Skyworks products for use in such applications do so at their own risk and agree to fully indemnify Skyworks for any damages resulting from such improper use or sale.

Customers are responsible for their products and applications using Skyworks products, which may deviate from published specifications as a result of design defects, errors, or operation of products outside of published parameters or design specifications. Customers should include design and operating safeguards to minimize these and other risks. Skyworks assumes no liability for applications assistance, customer product design, or damage to any equipment resulting from the use of Skyworks products outside of Skyworks' published specifications or parameters.

Skyworks, the Skyworks symbol, Sky5®, SkyOne®, SkyBlue™, Skyworks Green™, Clockbuilder®, DSPLL®, ISOModem®, ProSLIC®, and SiPHY® are trademarks or registered trademarks of Skyworks Solutions, Inc. or its subsidiaries in the United States and other countries. Third-party brands and names are for identification purposes only and are the property of their respective owners. Additional information, including relevant terms and conditions, posted at www.skyworksinc.com, are incorporated by reference.

Skyworks Solutions, Inc. | Nasdaq: SWKS | sales@skyworksinc.com | www.skyworksinc.com

USA: 781-376-3000 | Asia: 886-2-2735 0399 | Europe: 33 (0)1 43548540 | [in](#) [f](#) [t](#) [v](#)

Looking for pricing, stock, or lifecycle information?

Click below to explore more details on WIN SOURCE:

-  [View S15345A-D07129-GM on WIN SOURCE](#)
-  [Skyworks Solutions Inc. Information](#)

Optimize Your Supply Chain with WIN SOURCE Solutions

-  Global Sourcing Solution
-  Obsolete Management
-  Cost Control Management
-  Shortage Management
-  Alternative Solution
-  Excess Inventory Management